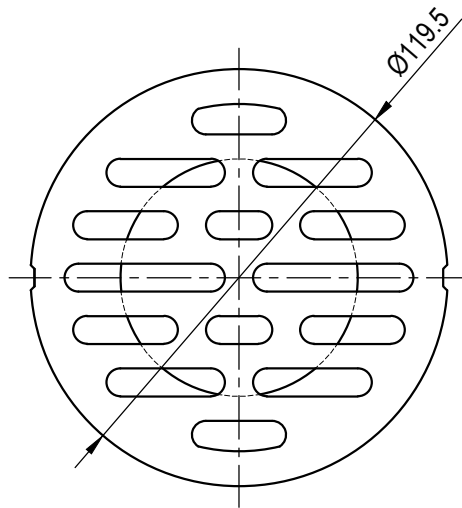
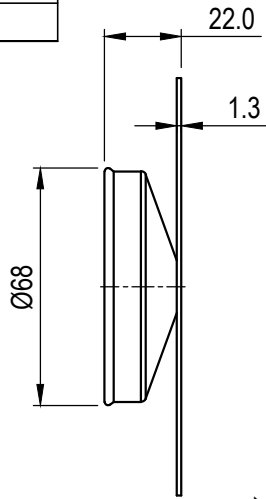
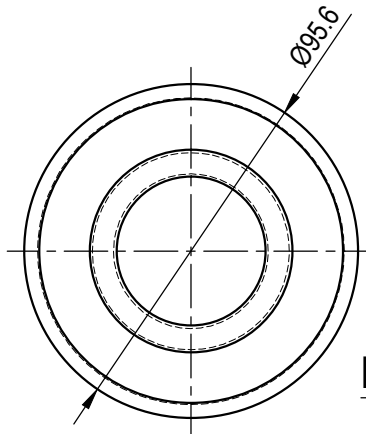
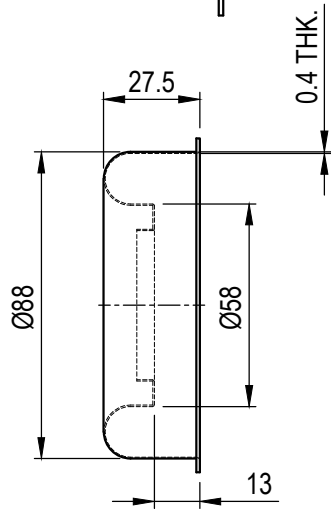


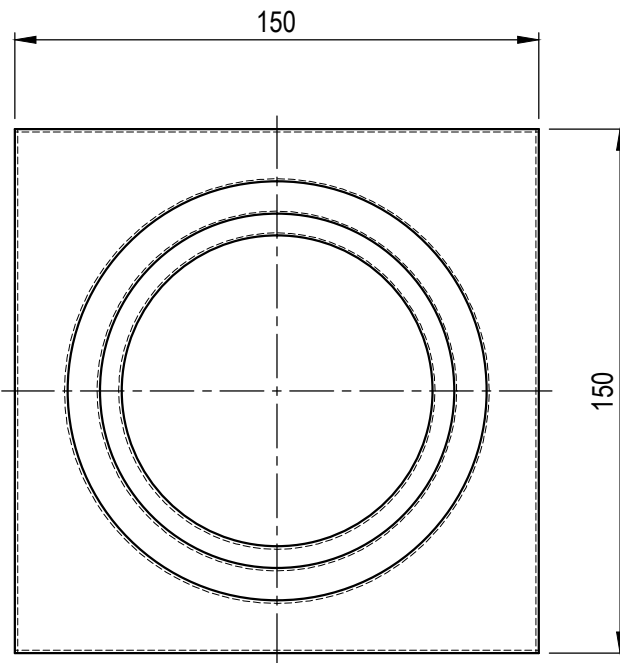
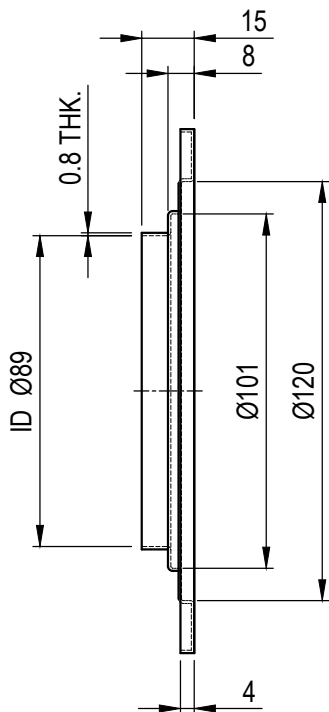
DRAWING NO	
FILE	



PART 1



PART 2



PART 3

**Stainless Steel Floor Trap (SUS304)
with Anti Insert 150mm X 150mm**

ALL DIMENSIONS ARE IN MM.

DRAWING (date)	-	PRODUCT CODE	
CHECKED (date)	-	PRODUCT NAME	
APPROVED (date)	-		

REVISE ITEMS	REVISING	SIGN	CONFIRM	DATE
--------------	----------	------	---------	------