

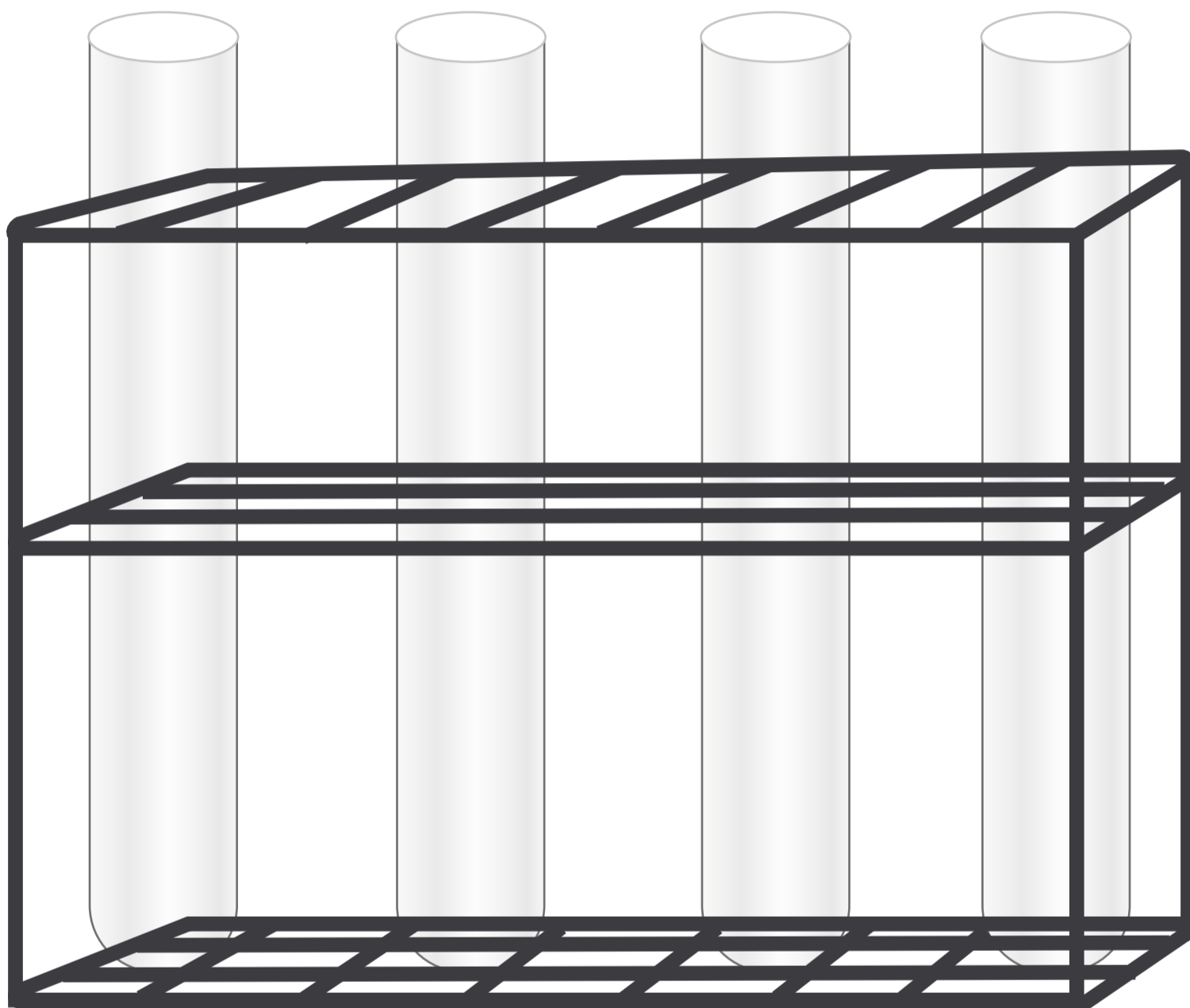
STYLE: Sture Tube Vase

DEPT: 9429 Home Decoration

S: 3



Clean sketch



REVISION X:xxxxxx

© THIS IS AN H&M DESIGN.

H&M Hennes & Mauritz AB reserves all copyright and other intellectual property rights related to works created by H&M and is not prepared to tolerate any infringement of its rights, or any loss or damage to its goodwill caused by such infringement. Legal proceedings will be commenced without further notice in case of any infringement of intellectual property rights vested in H&M.

DESIGNER: Henrik Frej

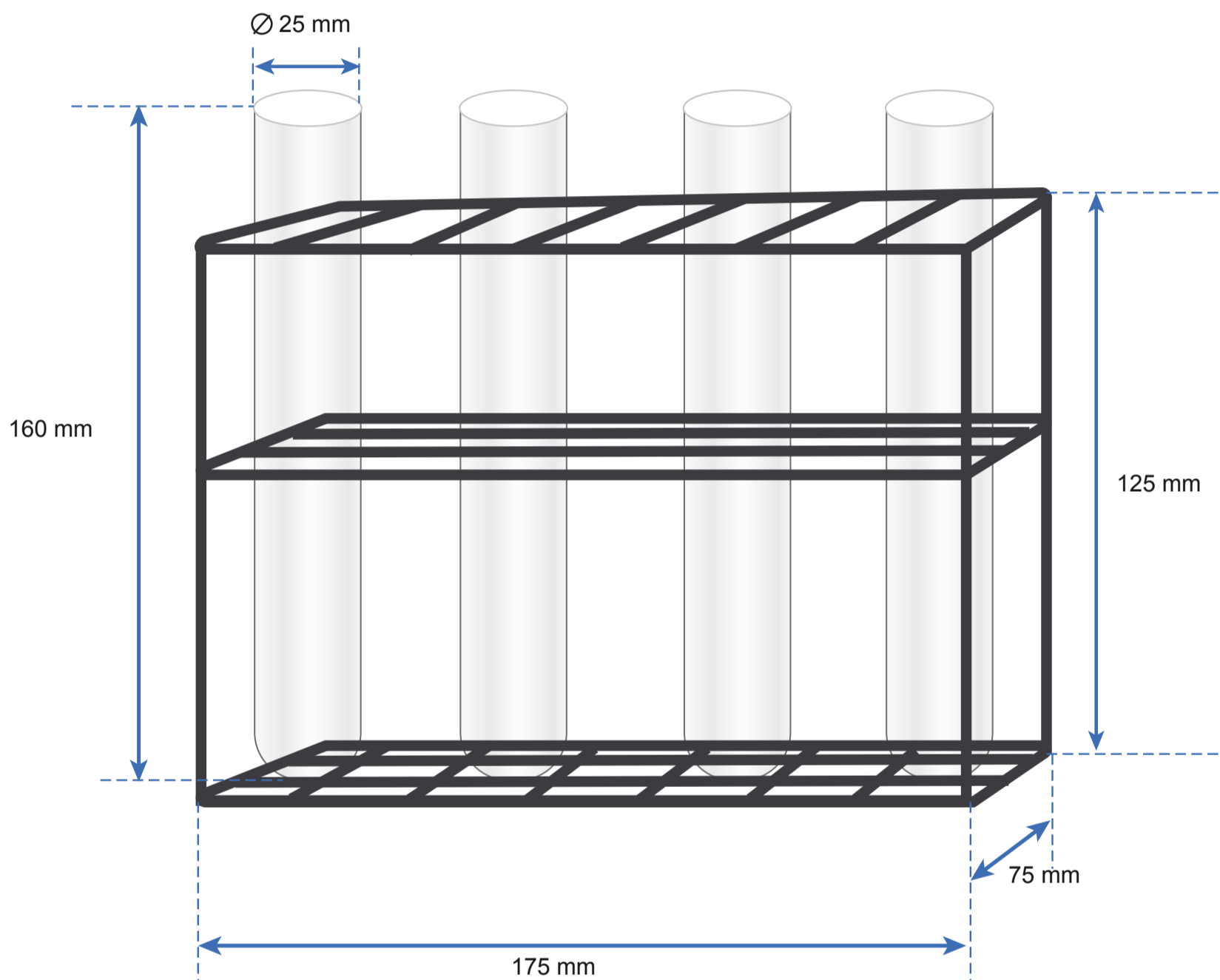
DATE OF CREATION: 150224

Info

Material: Metal wire, glass tubes

NOTE: Please make neat meetings/welding of the mesh

NOTE: Please make sure the glastubes fit in the mesh

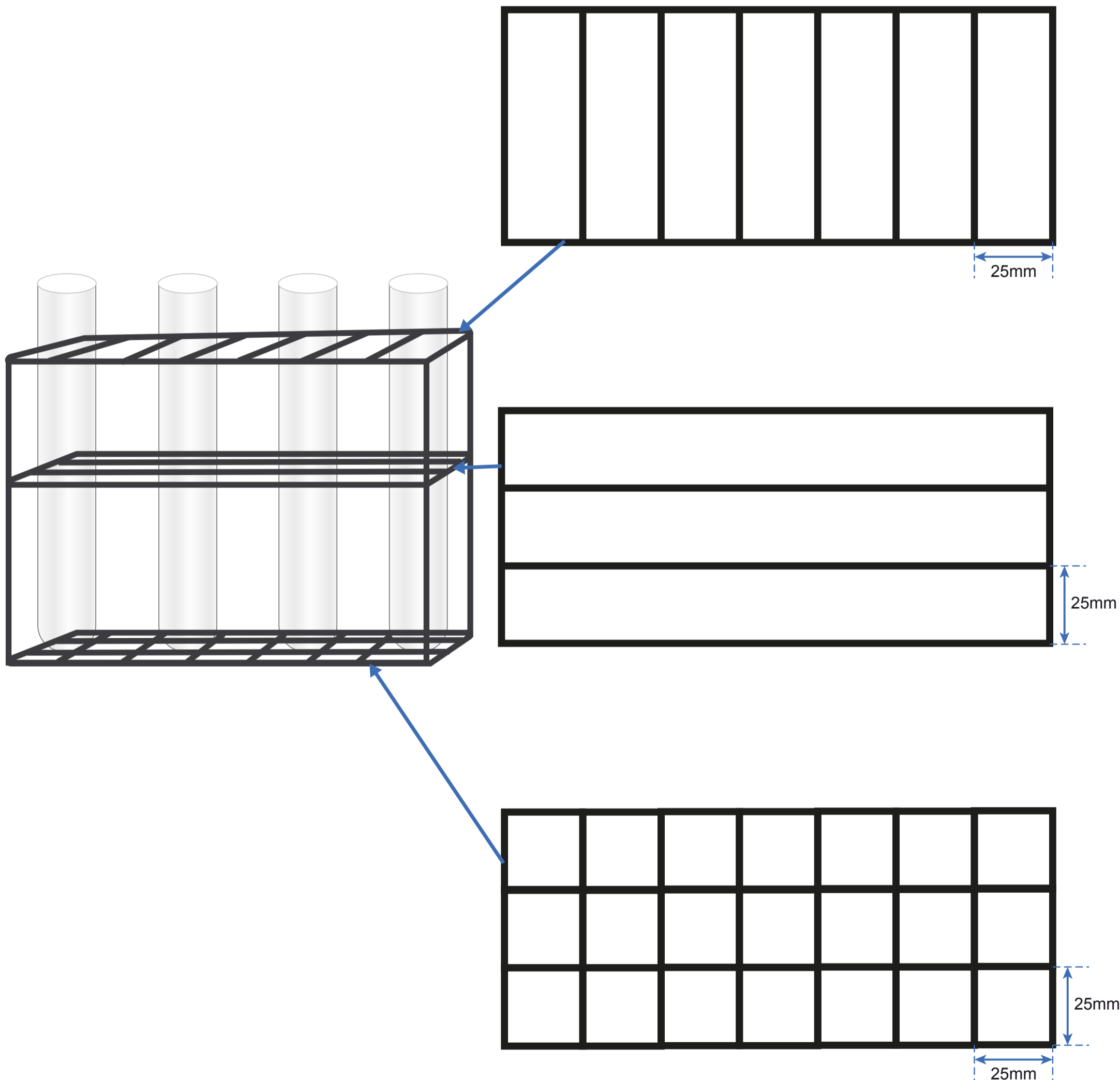


REVISION X:xxxxxx

Info

Material: Metal

NOTE: Please make neat meetings/welding of the mesh



REVISION X:xxxxxx

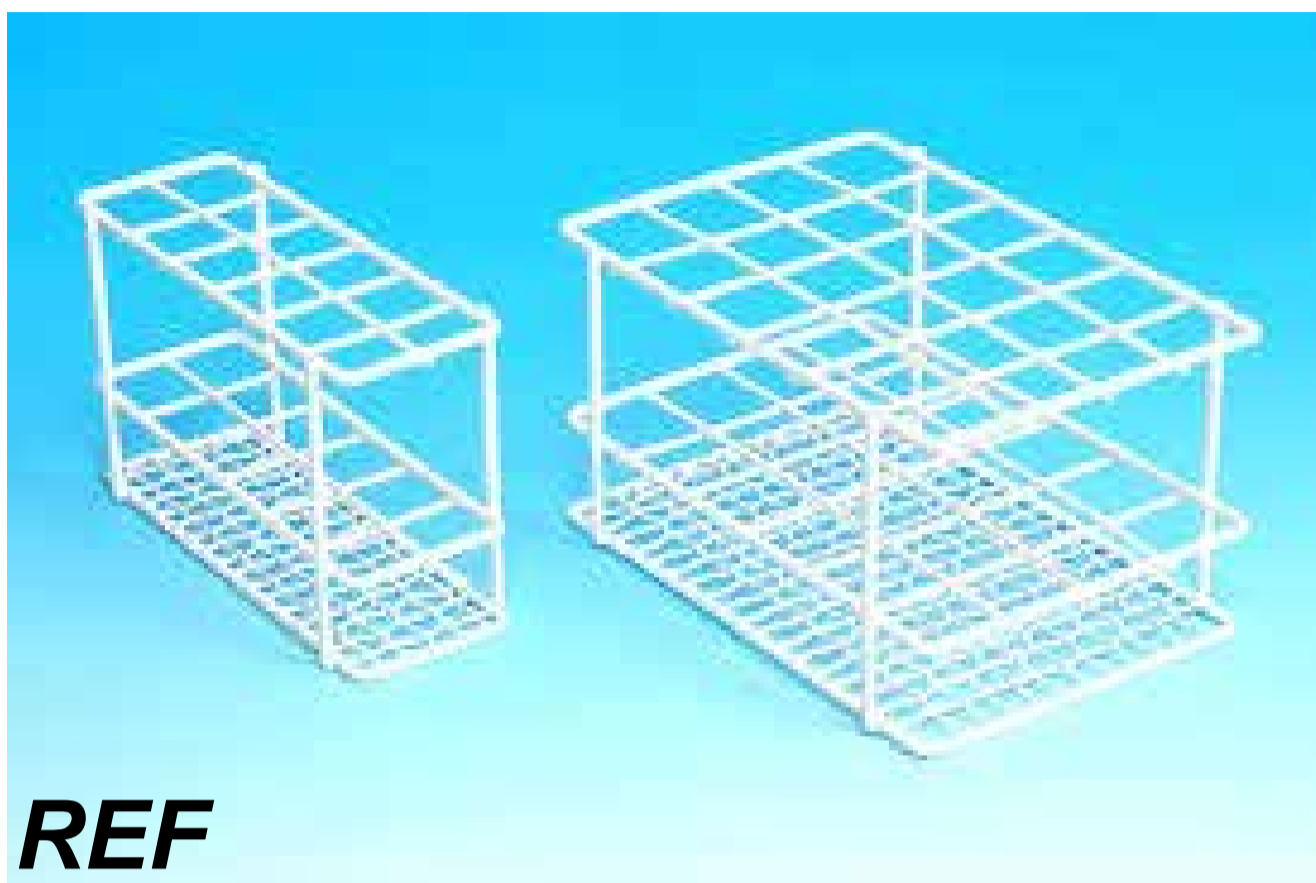
© THIS IS AN H&M DESIGN.

H&M Hennes & Mauritz AB reserves all copyright and other intellectual property rights related to works created by H&M and is not prepared to tolerate any infringement of its rights, or any loss or damage to its goodwill caused by such infringement. Legal proceedings will be commenced without further notice in case of any infringement of intellectual property rights vested in H&M.

DESIGNER: Henrik Frej

DATE OF CREATION: 150224

Ref



REF

Ref. picture for shape and style of wire frame



REF

Ref. picture for style of glass tube



REF

Ref. picture for style

REVISION X:xxxxxx

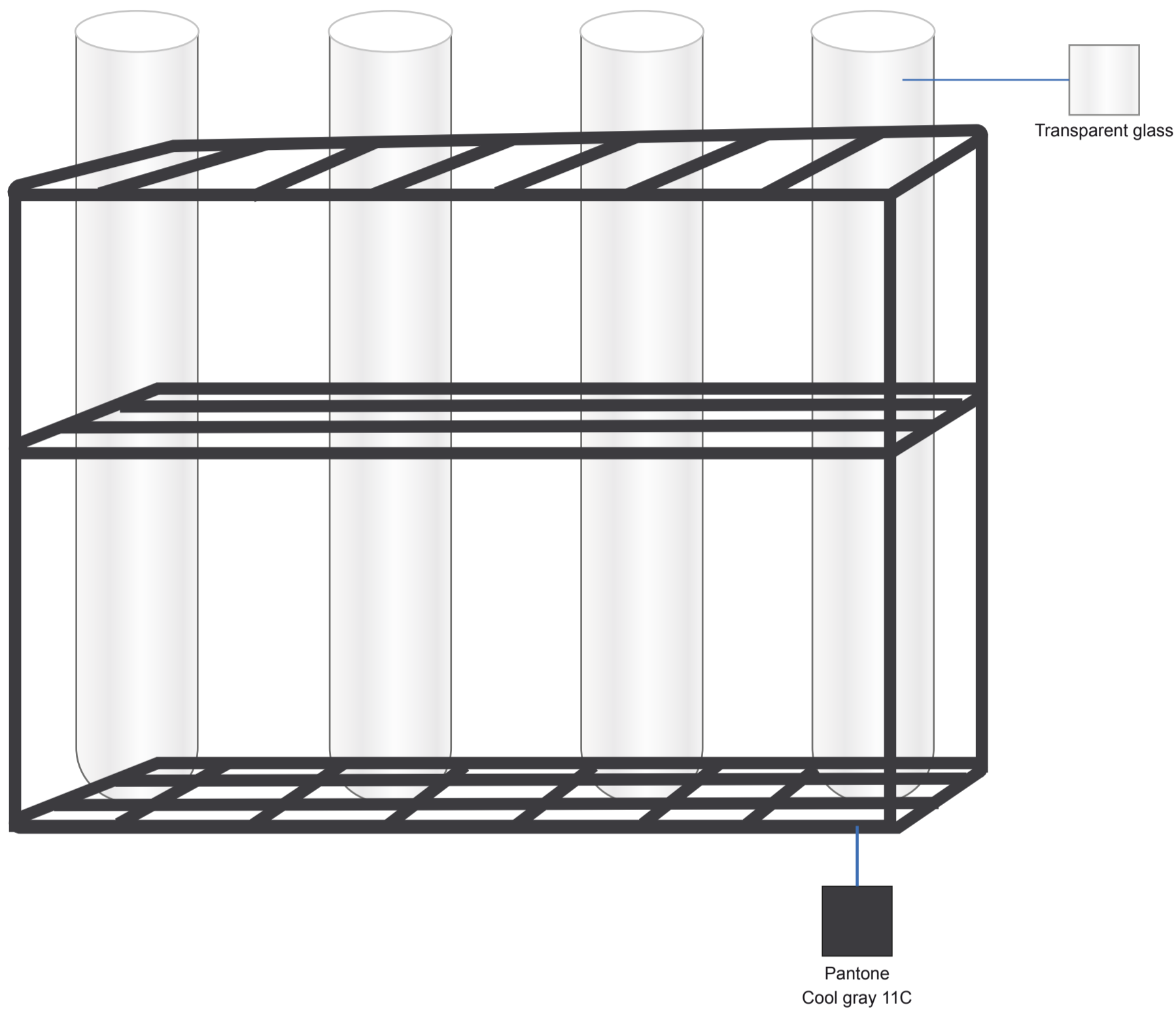
© THIS IS AN H&M DESIGN.

H&M Hennes & Mauritz AB reserves all copyright and other intellectual property rights related to works created by H&M and is not prepared to tolerate any infringement of its rights, or any loss or damage to its goodwill caused by such infringement. Legal proceedings will be commenced without further notice in case of any infringement of intellectual property rights vested in H&M.

DESIGNER: Henrik Frej

DATE OF CREATION: 150224

Colour



REVISION X:xxxxxx

© THIS IS AN H&M DESIGN.

H&M Hennes & Mauritz AB reserves all copyright and other intellectual property rights related to works created by H&M and is not prepared to tolerate any infringement of its rights, or any loss or damage to its goodwill caused by such infringement. Legal proceedings will be commenced without further notice in case of any infringement of intellectual property rights vested in H&M.

DESIGNER: Henrik Frej

DATE OF CREATION: 150224