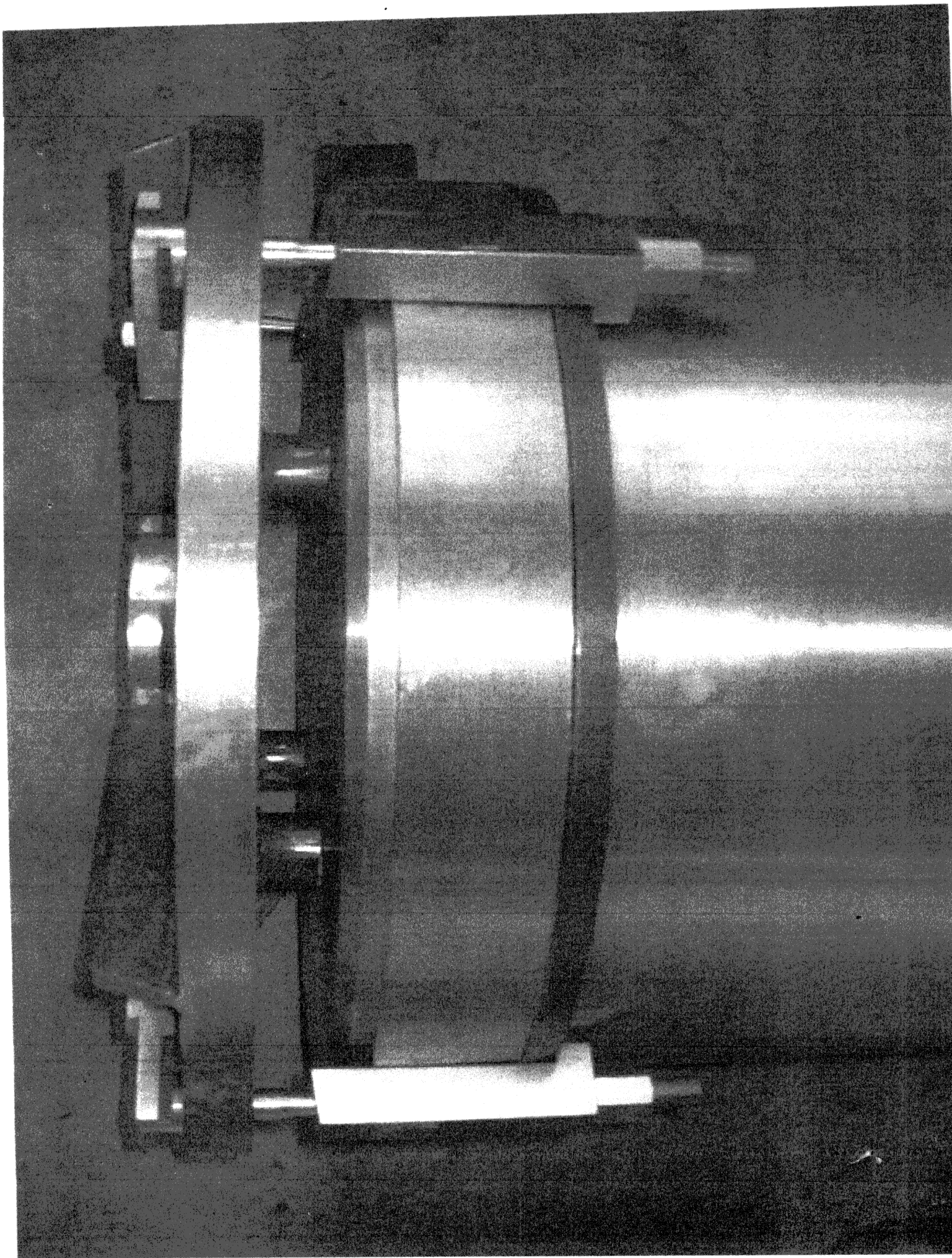
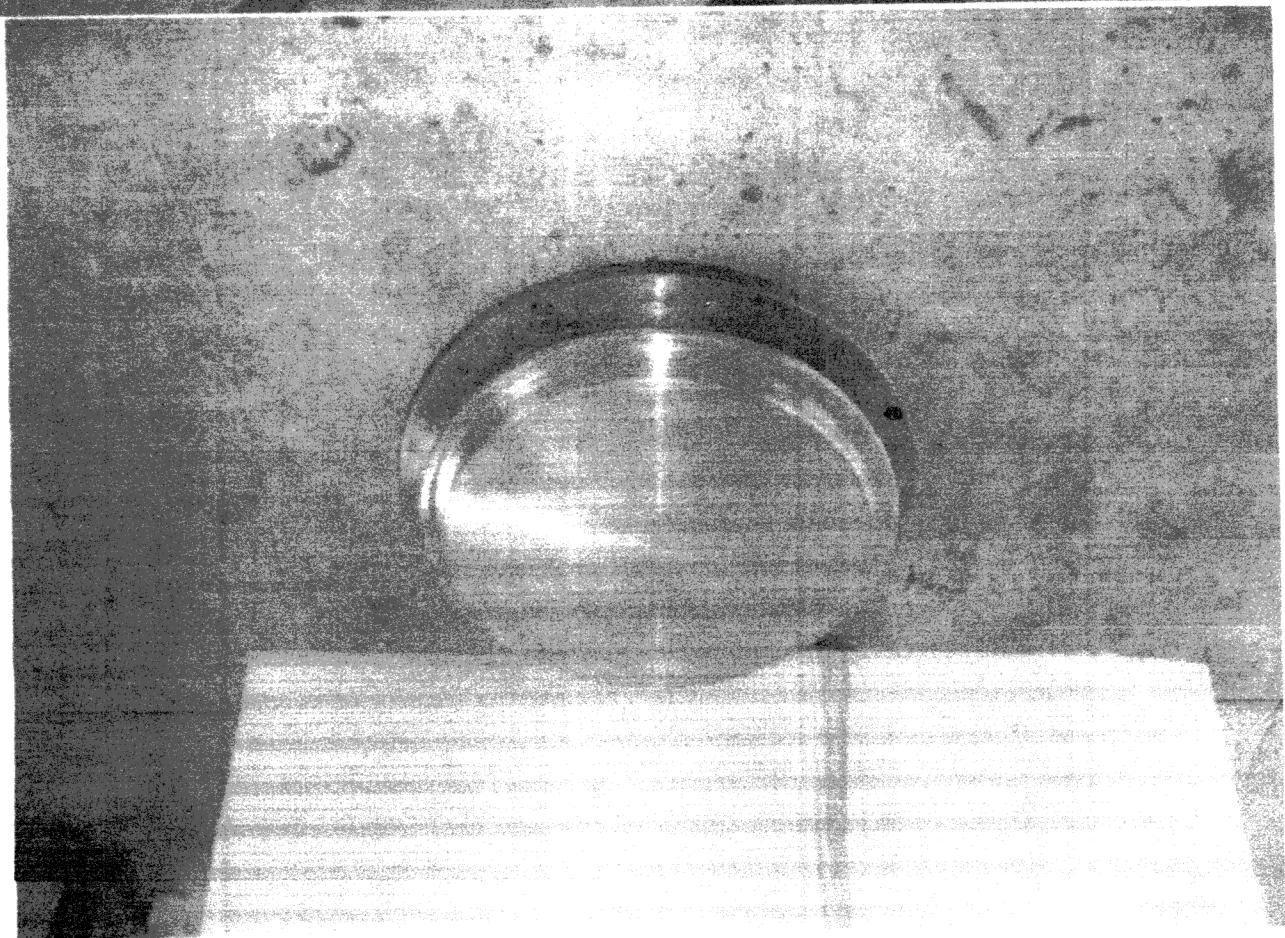
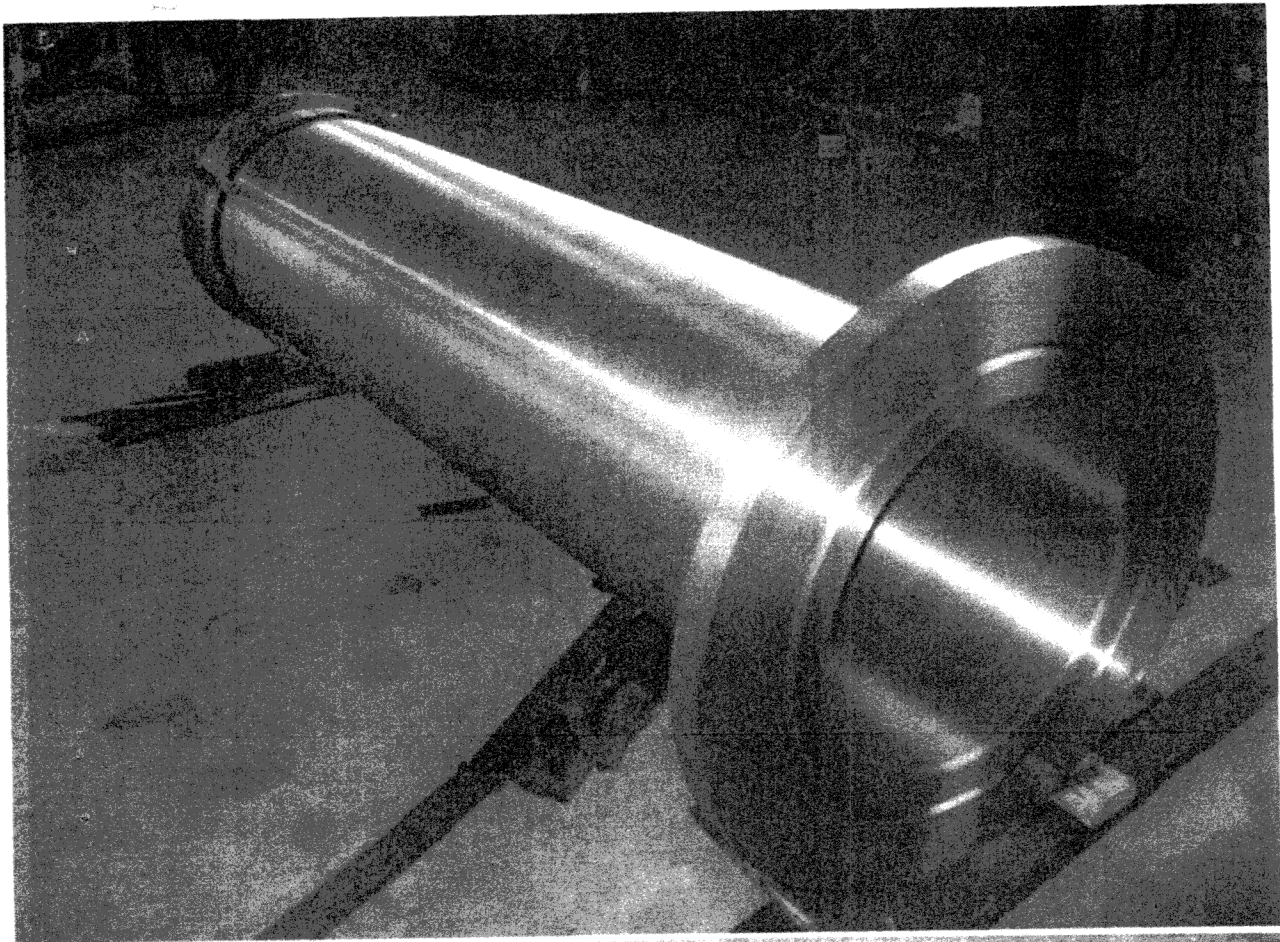


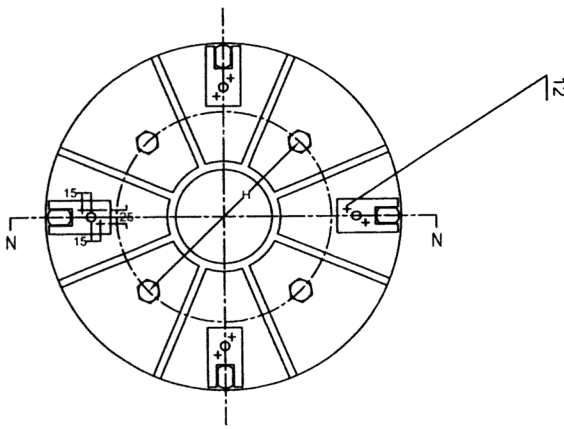
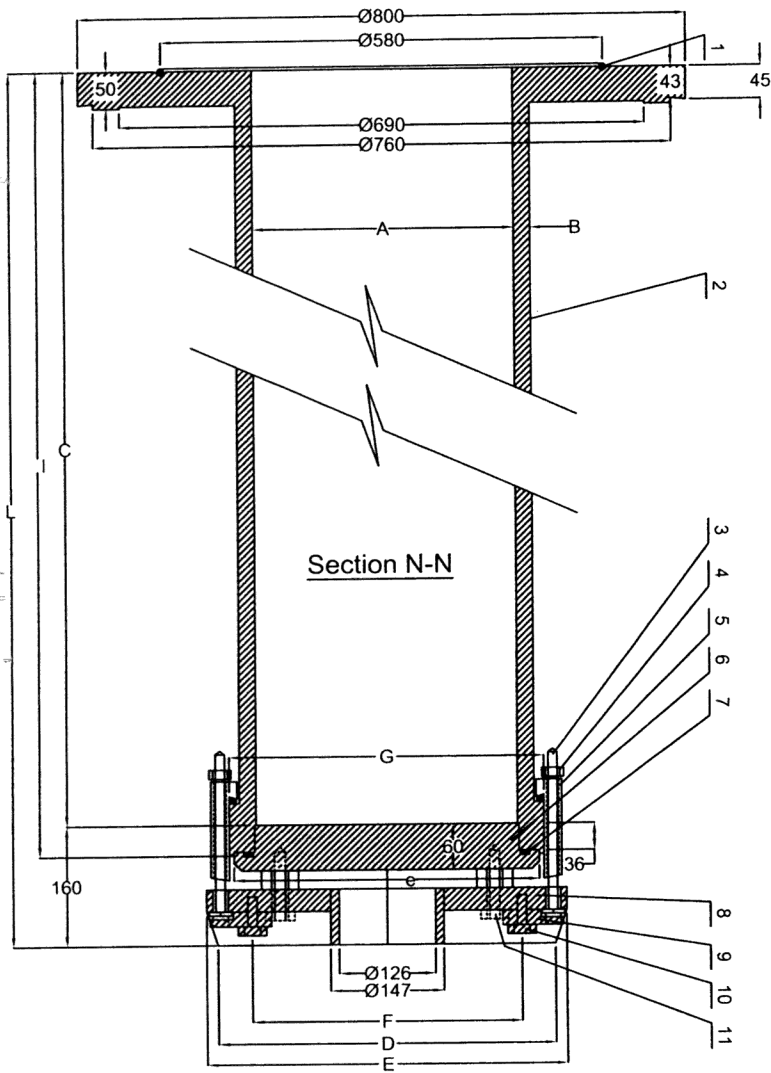
COPPER CRUCIBLES

Sr#	Description	Qty
1	<p><u>Copper Crucible (Diameter 340 mm) with Bottom</u></p> <ul style="list-style-type: none"> • Material: Copper (T2 Red Copper) • Diameter: 340 mm • Length: 1400 mm • As per Drawing # ZHT112B-5 • Photos of Copper Crucible with Bottom & Copy of Drawing ZHT112B-5 are attached <p><u>Notes:</u></p> <ol style="list-style-type: none"> 1. Purity of Cu \geq 99.9% 2. Bottom of crucible is a separate part. When bottom is fitted/clamped to crucible, crucible must be leak tight. Crucible shell must be weld free, a single piece, pitting & porosity free. Internal surface of shell must be smooth for ejection of casted ingot <p><u>Documents required before dispatch:</u></p> <ol style="list-style-type: none"> a) Drawing of Crucible (made exactly according to manufactured crucible) b) Material Analysis Certificate c) Ultrasonic Testing Report d) Photographs of Crucible in assembled as well as in dismantled from e) Warranty Certificate and its details for the product being shipped f) Pressure Testing Report at 0.40 MPa 	One
2	<p><u>Copper Crucible (Diameter 460 mm) with Bottom</u></p> <ul style="list-style-type: none"> • Material: Copper (T2 Red Copper) • Diameter: 460 mm • Length: 2000 mm • As per Drawing # ZHT112B-3 • Photos of Copper Crucible with Bottom & Copy of Drawing ZHT112B-3 are attached <p><u>Notes:</u></p> <ol style="list-style-type: none"> 1. Purity of Cu \geq 99.9% 2. Bottom of crucible is a separate part. When bottom is fitted/clamped to crucible, crucible must be leak tight. Crucible shell must be weld free, a single piece, pitting & porosity free. Internal surface of shell must be smooth for ejection of casted ingot <p><u>Documents required before dispatch:</u></p> <ol style="list-style-type: none"> a) Drawing of Crucibles (made exactly according to manufactured crucible) b) Material Analysis Certificate c) Ultrasonic Testing Report d) Photographs of Crucible in assembled as well as in dismantled from e) Warranty Certificate and its details for the product being shipped f) Pressure Testing Report at 0.40 MPa 	One





ZHT112B-5 CRUCIBLE Ø340x1400

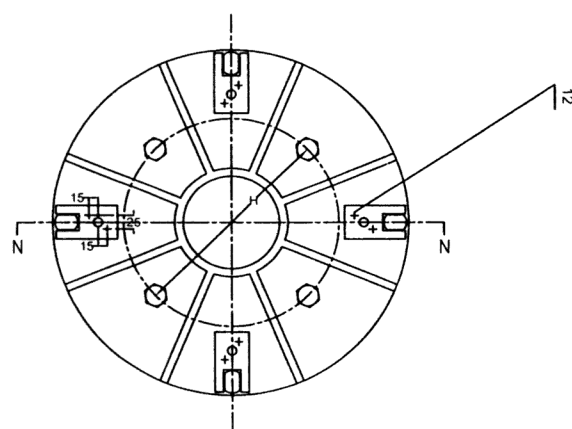
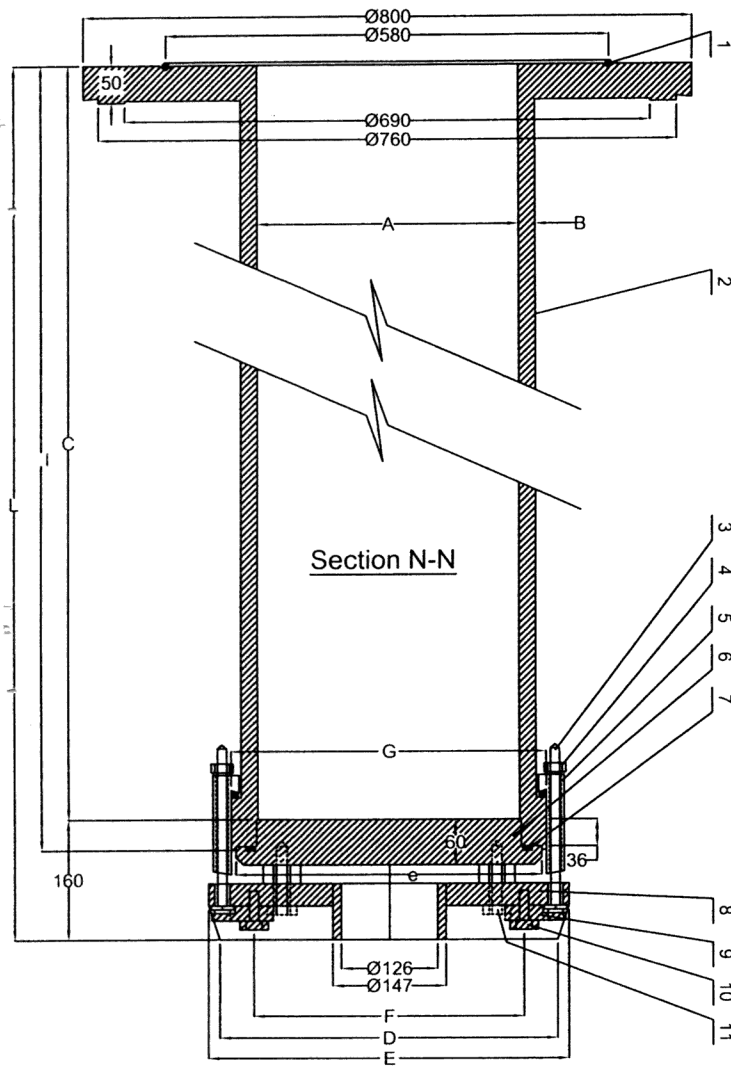


ZHT112B-5	
A	Ø340
B	23
C	1400
L	1560
I	1441
G	Ø416
e	Ø404
D	Ø438
F	Ø348
E	Ø468
H	Ø280

Sr.#	Drawing No.	Title	Number	Material	Weight (kg)		Remarks
					Single	Total	
12	ZHT112B-3-7	PIN	8	45#	0.07	0.56	
11	GB5780-88	SCREW	4	A3	0.12	0.48	M16x70
10	GB5780-88	SCREW	4	A3	0.01	0.04	M12x30
9	ZHT112B-3-6	Catch Plate	4	40Cr	0.37	1.58	
8	ZHT112B-5-3	Bottom (Ø340)	1	A3	43.1		
7	GB1235-76	Caulking Ring	1				Ø8.6 (L=1135)
6	ZHT112B-5-2	Crucible Bottom	1	T2	68		
5	ZHT112B-3-3	CLAW	4	40Cr	0.52	2.2	
4	GB41-88	Nut	4	A3	0.015	0.06	M16
3	ZHT112B-3-2	Press Bolt	4	40Cr	0.36	1.44	
2	ZHT112B-5-1	Crucible (Ø340)	1	T2	524.6		
1	GB1235-76	Caulking Ring	1				Ø8.6 (L=1821)

Note: All dimensions are in mm.

ZHT112B-3 CRUCIBLE Ø460x2000



ZHT112B-3	
A	Ø460
B	22
C	2000
L	2160
I	2041
G	Ø530
e	Ø518
D	Ø552
F	Ø462
E	Ø582
H	Ø280

Sr.#	Drawing No.	Title	Number	Material	Weight (kg)		Remarks
					Single	Total	
12	ZHT112B-3-7	PIN	8	45#	0.07	0.56	
11	GB5780-88	SCREW	4	A3	0.12	0.48	M16x70
10	GB5780-88	SCREW	4	A3	0.01	0.04	M12x30
9	ZHT112B-3-6	Catch Plate	4	40Cr	0.37	1.58	
8	ZHT112B-3-5	Bottom (Ø460)	1	A3	67.3		
7	GB1235-76	Caulking Ring	1				Ø8.6 (L=1512)
6	ZHT112B-3-4	Crucible Bottom	1	T2	124		
5	ZHT112B-3-3	CLAW	4	40Cr	0.55	2.2	
4	GB41-88	Nut	4	A3	0.015		M16
3	ZHT112B-3-2	Press Bolt	4	40Cr	0.36	1.44	
2	ZHT112B-3-1	Crucible (Ø460)	1	T2	759.3		
1	GB1235-76	Caulking Ring	1				Ø8.6 (L=1821)

Note: All dimensions are in mm.