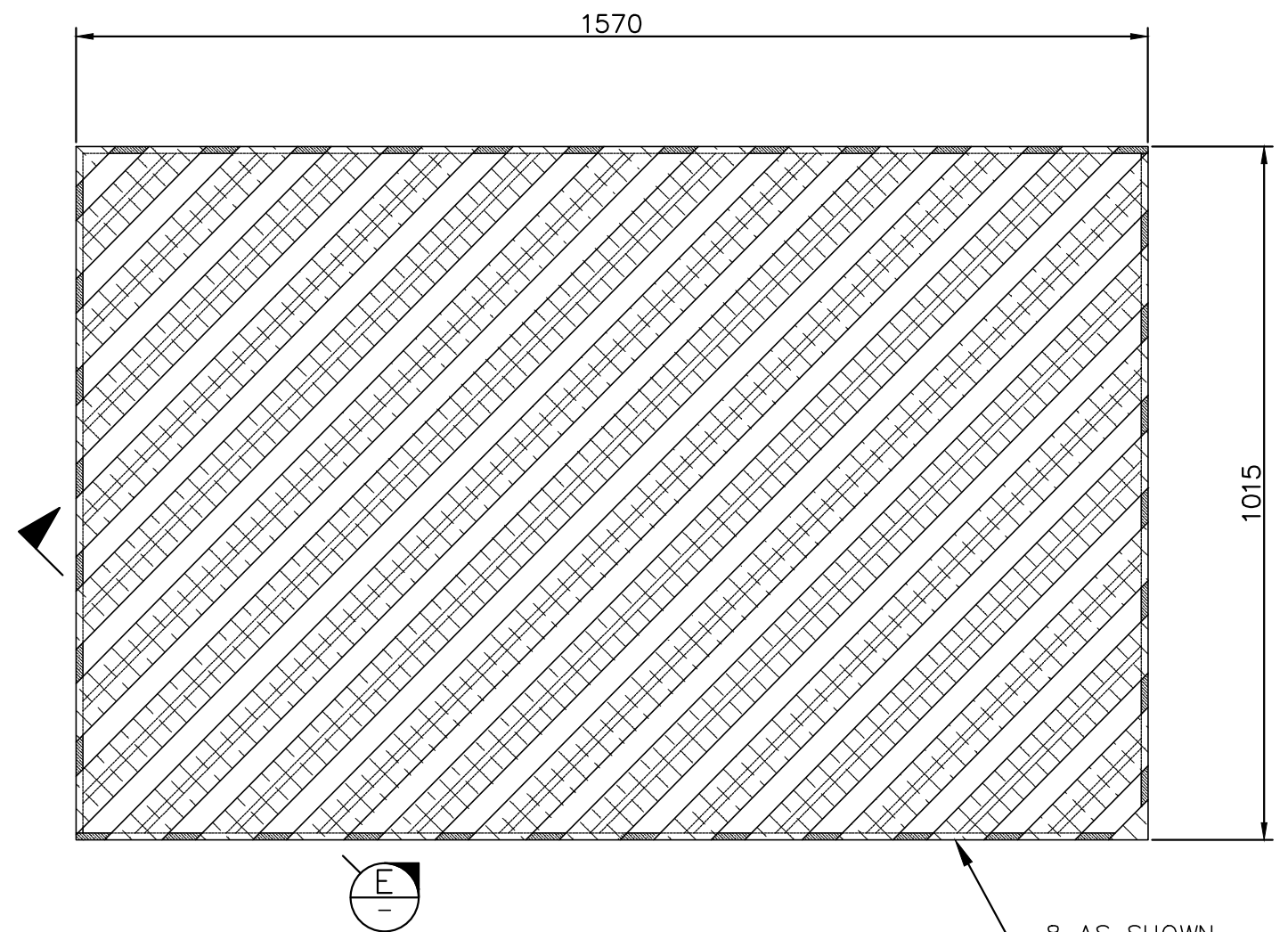
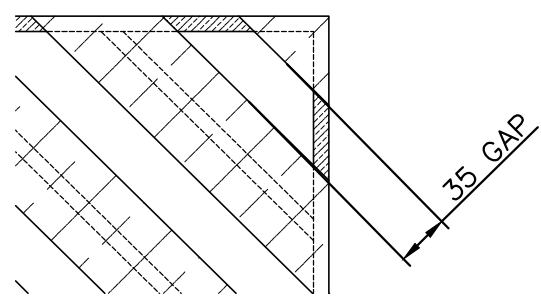


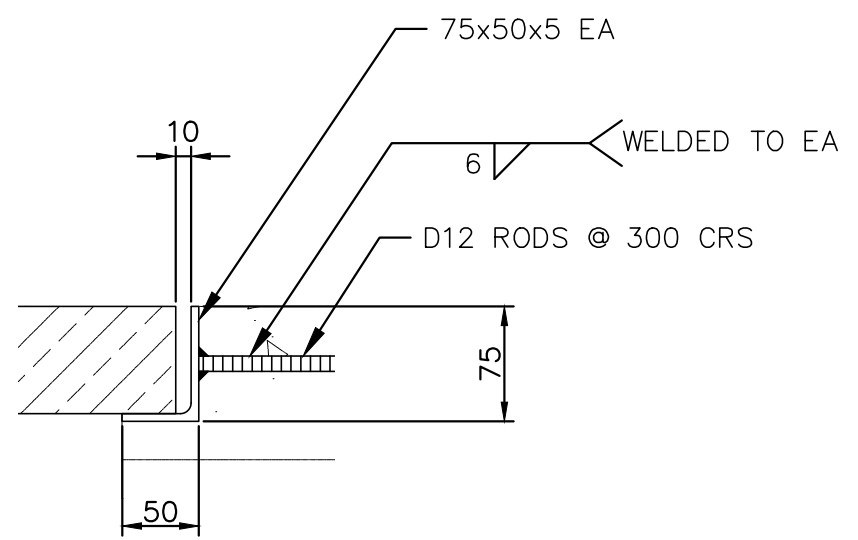
SECTION **D**
1:20 **01**



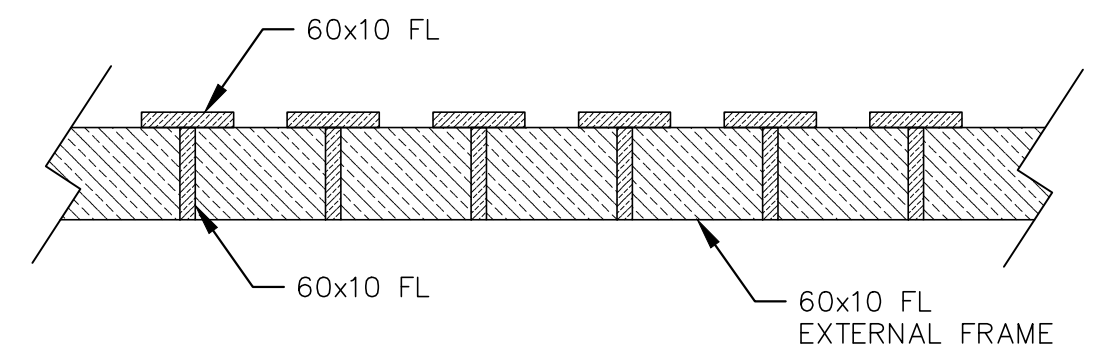
STANDARD GRATING SECTION
SCALE 1:10



DETAIL **2**
1:5 **01**



DETAIL **3**
1:2 **-**



SECTION **E**
1:5 **-**

0	ISSUED FOR CONSTRUCTION	KP	23.01.14
NO.	REVISION #.	DRAWN.	DATE.

COPYRIGHT:
THIS DRAWING SUPERSEDES ALL PREVIOUS DRAWINGS.
RAKAIA ENGINEERING LTD CLAIM ALL
AUTHORSHIP OF THIS WORK AND RETAIN ALL
INTELLECTUAL AND ARTISTIC COPYRIGHT.

UNLESS OTHERWISE STATED ALL
DIMENSIONS IN MILLIMETRES

DRAWN: KP
CHECKED:
APPROVED:
DATE 23.01.2014
SCALE 1:20 UNO

70 BOWEN ST
RAKAIA
NEW ZEALAND
PH: 64 3 302 7305
FAX: 64 3 302 5213
EMAIL: design@relgroup.co.nz



TITLE
PANNETTS DAIRIES LIMITED
GRATES

JOB NUMBER	SHT #
1012	02
DRAWING #	REV
001	0

A3