

IT SHALL NOT BE COPIED/REPRODUCED/MADE KNOWN TO ANY OTHER PARTY IN PART OR IN FULL WITHOUT OUR PRIOR WRITTEN PERMISSION.

DRG.NO.: 7728-095

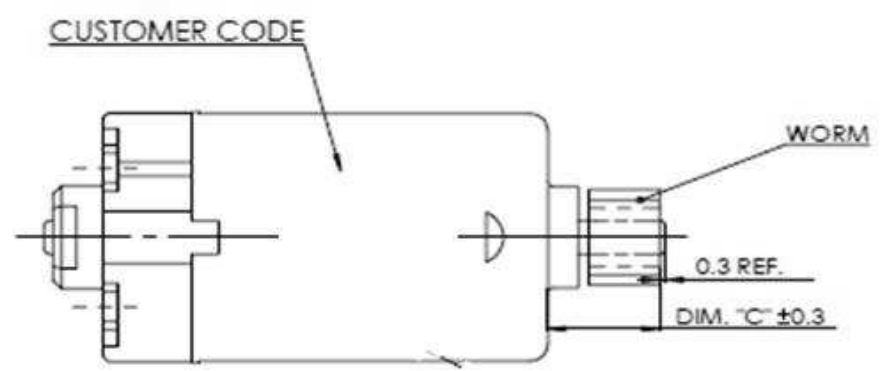
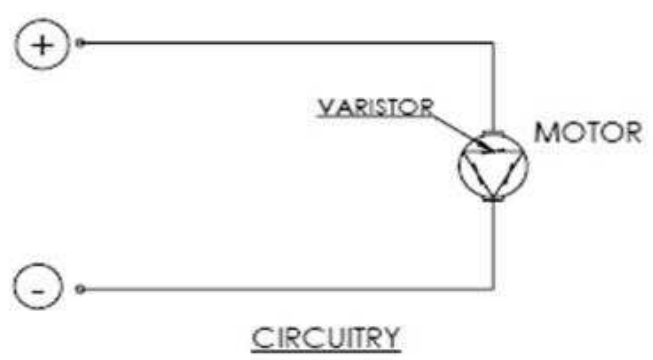
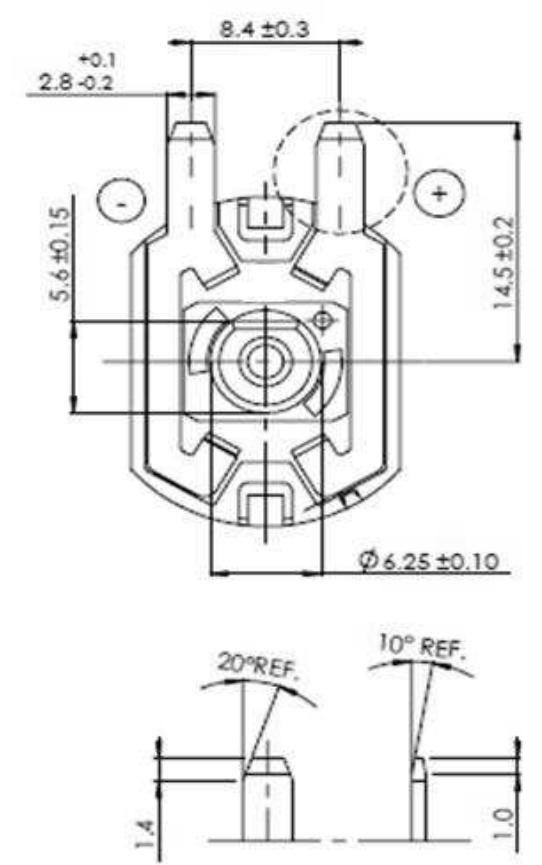
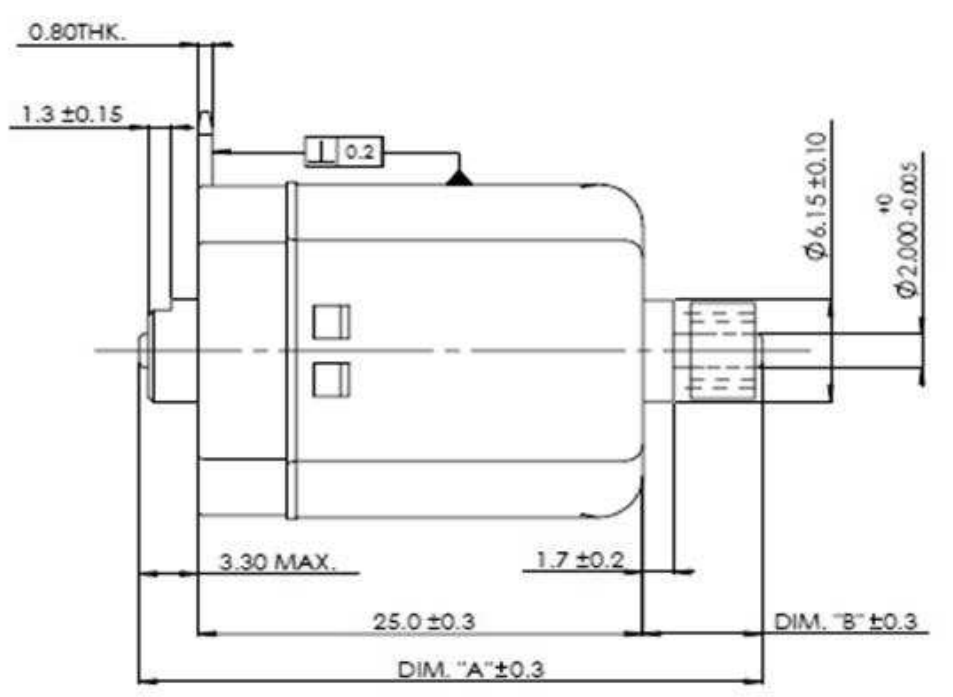
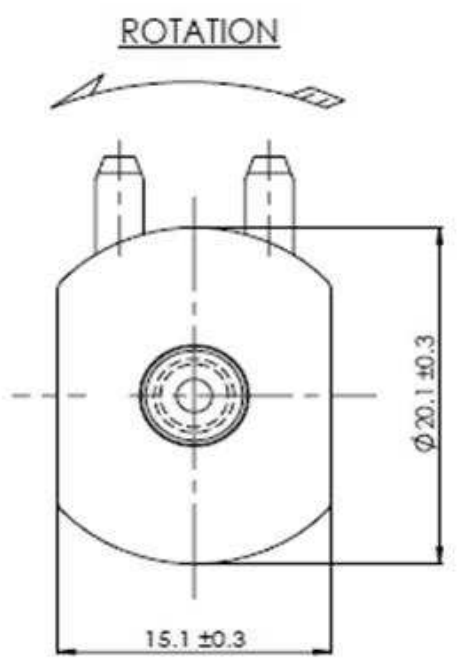
DO NOT SCALE, ASK IF IN DOUBT
RELEASED FOR
DEVELOPMENT PRODUCTION

GD&T SYMBOL	
SYMMETRY	SYMMETRY
FLATNESS	CIRCULAR RUN OUT
CIRCULARITY	TOTAL RUN OUT
CIRCULARITY	CIRCULARITY
PERPENDICULARITY	PERPENDICULARITY
PERPENDICULARITY	PERPENDICULARITY
PERPENDICULARITY	PERPENDICULARITY
PERPENDICULARITY	PERPENDICULARITY
PERPENDICULARITY	PERPENDICULARITY
PERPENDICULARITY	PERPENDICULARITY

ANGULAR TOLERANCES	
Permissible deviations for ranges of lengths in mm. of the shorter side of the angle concerned	
up to 10	±0°10'
up to 30	±0°20'
up to 100	±0°30'
up to 150	±0°40'
up to 400	±0°50'
over 400	±1°00'

LINEAR TOLERANCES	
Permissible deviations for basic size range	
up to 3	±0.05
up to 6	±0.10
up to 10	±0.15
up to 15	±0.20
up to 30	±0.30
up to 60	±0.40
up to 100	±0.50
up to 150	±0.60
up to 400	±0.80
over 400	±1.00

Tolerance class	
Designation	Description
f	fine
m	medium
c	coarse
v	very coarse



- NOTES :-
1. LENGTH OF SHAFT, DIM. "A" 35.0 mm.
 2. FRONT EXTENSION, DIM. "B" 7.0 mm, WORM POSITION, DIM "C" 6.8MM, MEASURED WITH SHAFT PUSHED TOWARDS THE END CAP SIDE BY A FORCE OF 10N.
 3. DIRECTION OF ROTATION : ANTI-CLOCKWISE WHEN VIEWING MOTOR OUTPUT
END WITH POSITIVE VOLTAGE APPLIED TO POSITIVE TERMINAL.
 4. END PLAY : 0.5 mm MAX..
 5. PINION TO WITHSTAND A PUSH-OFF FORCE 80 N (8.16 Kgf) MIN. WITHOUT MOVEMENT.
 6. NUMBERS OF SLOTS/POLES: 3
 7. MAX POWER OUTPUT: 0.740 WATTS REF.
 8. OPERATING TEMPERATURE OF MOTOR: -40°C ~ 85°C

C _{pk}	Characteristics	
	Key Product	Customer Significant
>1.67	○	■
>1.33	○	■
>1.00	○	■
Not Required	○	■

NO.	ECN NO.	REVISION DETAILS		3D	2D	DATE	PREP	CHKD	APPD
		SOFT COPY UPD	DATE						
REFERENCE :		SURFACE TREATMENT		CAD SOFTWARE					
ANG, TOL, MEDIUM		GEN, TOL, MEDIUM		A-CAD					
CLASSIFICATION OF CHARACTERISTICS		SCALE NTS		MATERIAL					
CRITICAL		KEY INSTRUCTION		DESCRIPTION					
MAJOR		S,NO. IN INSP. REP.		D.C. MOTOR					
Wt.(gm)		DRG.NO.		7728-095					
		Revision Date: 05/11/04		1/1		A3			