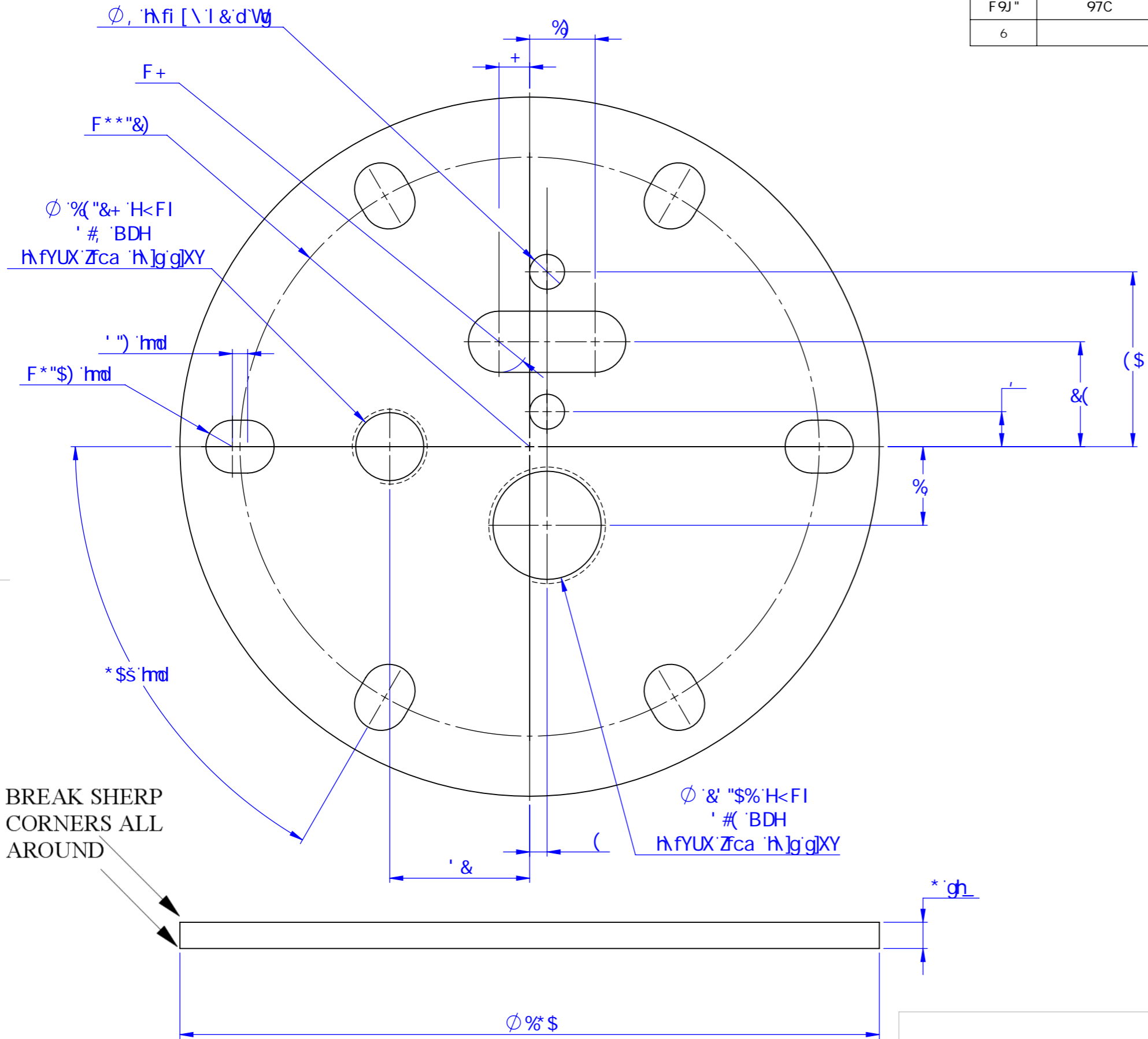
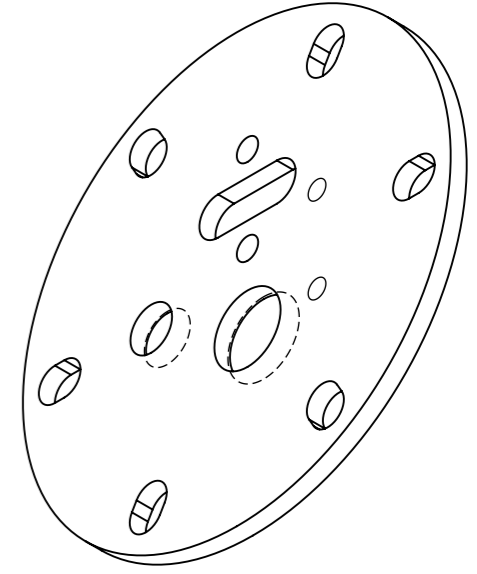


F9J =G-CBG					
F9J"	97C	89G7F =DH=CB	6M	85H9	5DDF
6		; 9B 9F 5 @F9J	A 6<	%Ø>  b!%)	



BREAK SHERP  
 CORNERS ALL  
 AROUND

**NOTES:**  
 1. For sea freight, each unit should be covered with antirust oil and wrapped with OIL PAPER plus plastic protective bag



I B@9GG'CH<9FK =G'GD97= =98.	Gl F: "	G<99H	G<99H	89G7F =DH=CB	<b>ZUb[ Y</b>	ÜÖXÈ
	: -B=G<	G=N9	G75@9			
: 9B 'HC@9F5B79G @B95F "L .....1 - \$") <C@9G @C75H=CB' - \$") 5B: I @5F ..... 7CB79BHF =7=HMØ%					<b>B!&amp;+*) *</b>	<b>6</b>
	8Ygj[ bYX	B5A 9	85H9	8K ; "Bc"	A 5H9F =5@.	G<99H
8fuk b	A Un' <"	!	!	K 9= <H'q'fQ & ' % ( " ) (		
7\YW\YX	!	!	!	DFC >97H '5GGM È		% C: %
5ddfcj YX	5j j'U'5"	!	!			