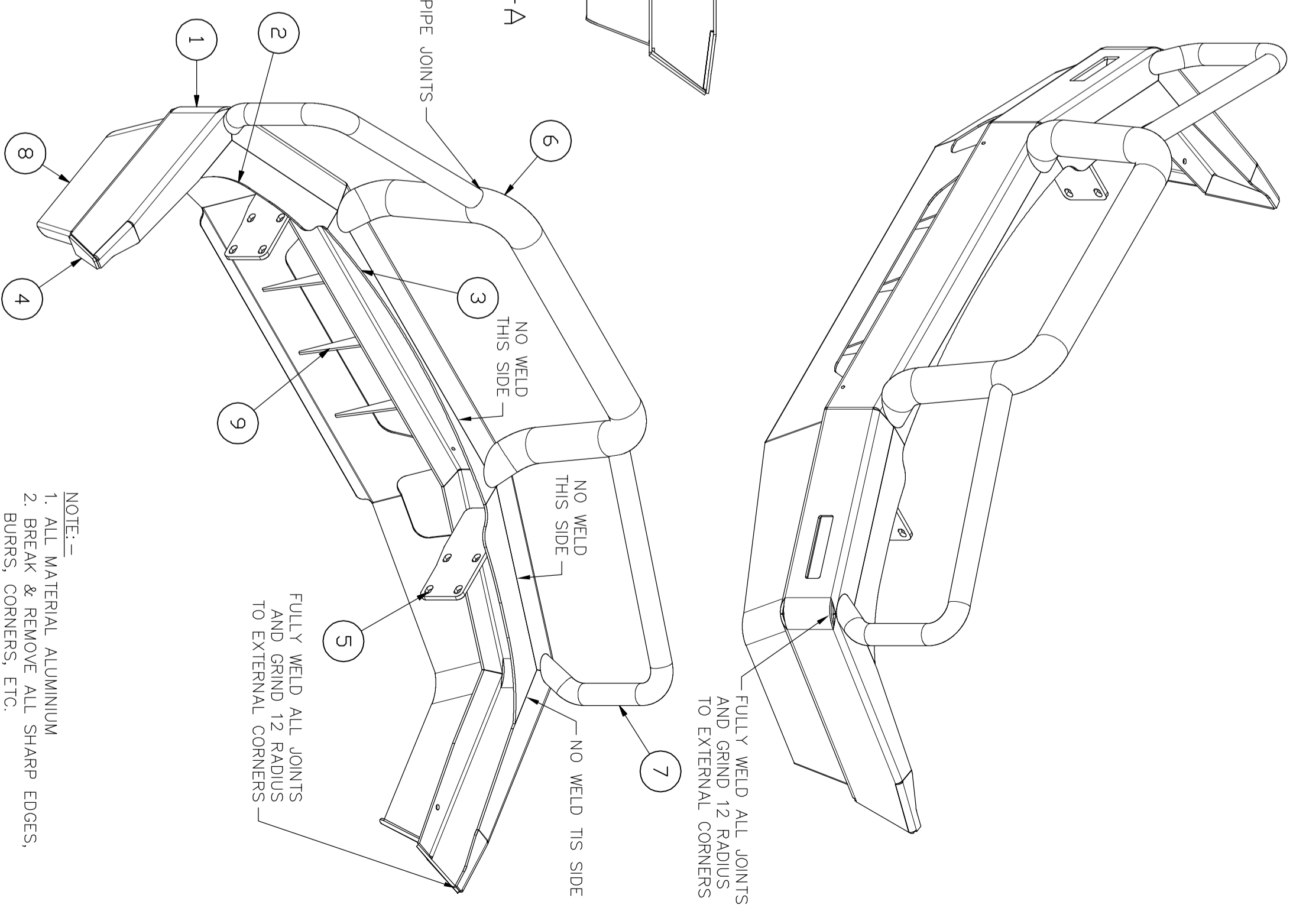
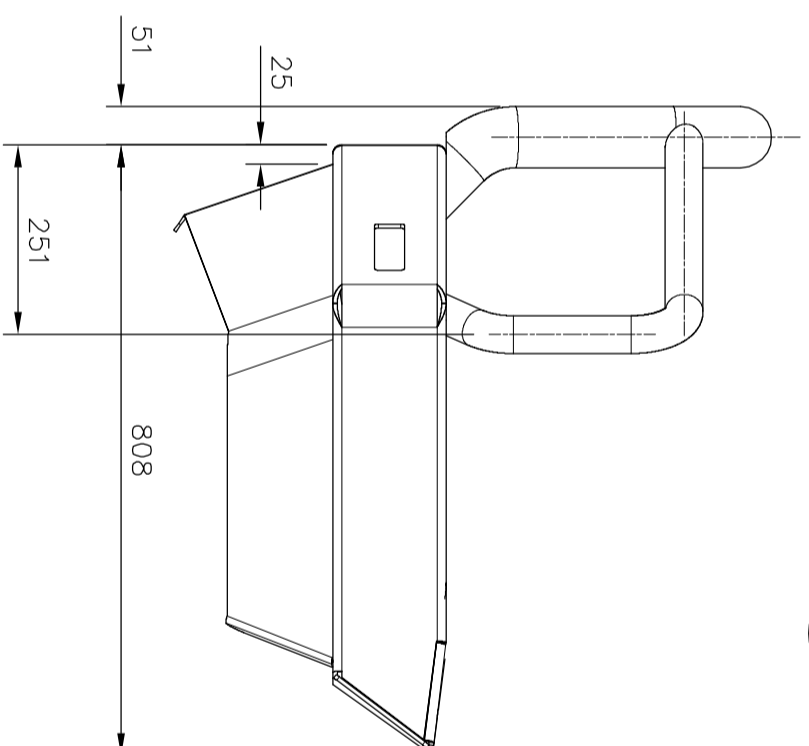


SECTION A-A  
SCALE 1:10

FULLY SEAL WELD PIPE JOINTS



- NOTE:-
1. ALL MATERIAL ALUMINIUM
  2. BREAK & REMOVE ALL SHARP EDGES, BURRS, CORNERS, ETC.
  3. ALL JOINTS TO BE FULLY WELDED

PARTS LIST

ITEM QTY	PART NUMBER	DESCRIPTION
1	1	Main Bumper
2	2	Infill Panel Outer
3	1	Infill Panel Inner
4	2	End Plate
5	2	Mount Bracket
6	1	Main Tube
7	2	Side Tubes
8	1	Skirt
9	3	Gusset

DESIGNED BY	S. Johns	CHECKED BY		APPROVED BY		DATE	7.8.12
REVISION	REVISION	DATE	DATE	DATE	DATE	DATE	DATE
REV. A	REVISED	7.8.12	BY S.J.				
BULL BAR 2				BULL BAR 2			
Edition A				Sheet 1 / 1			