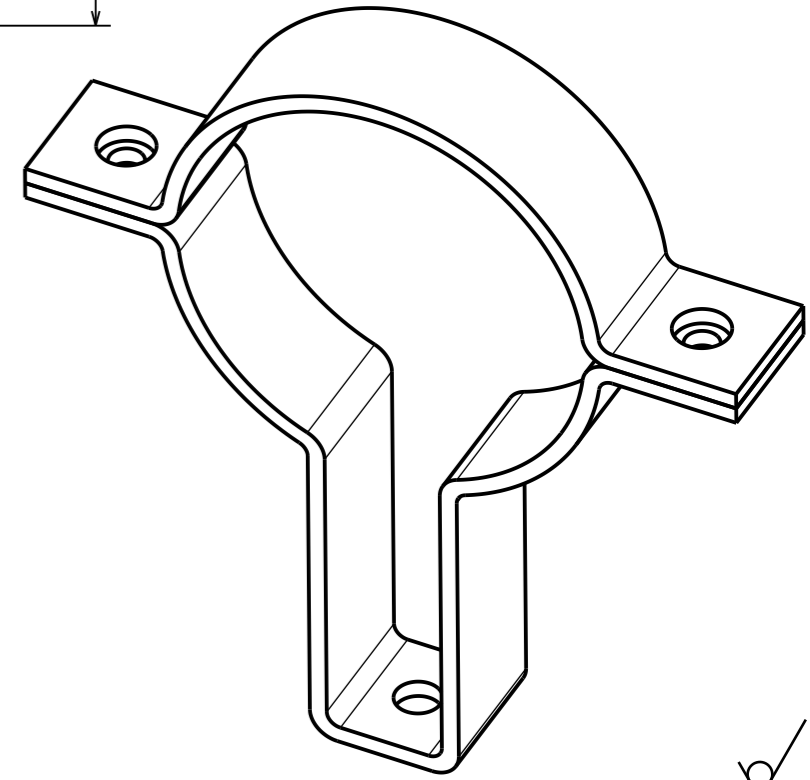
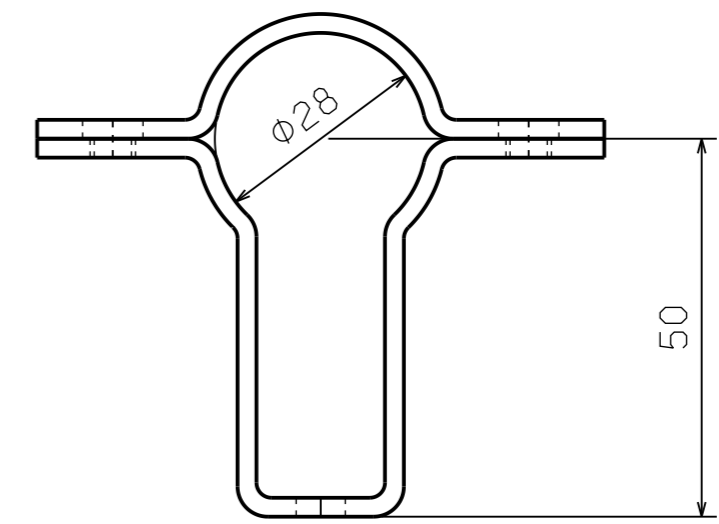
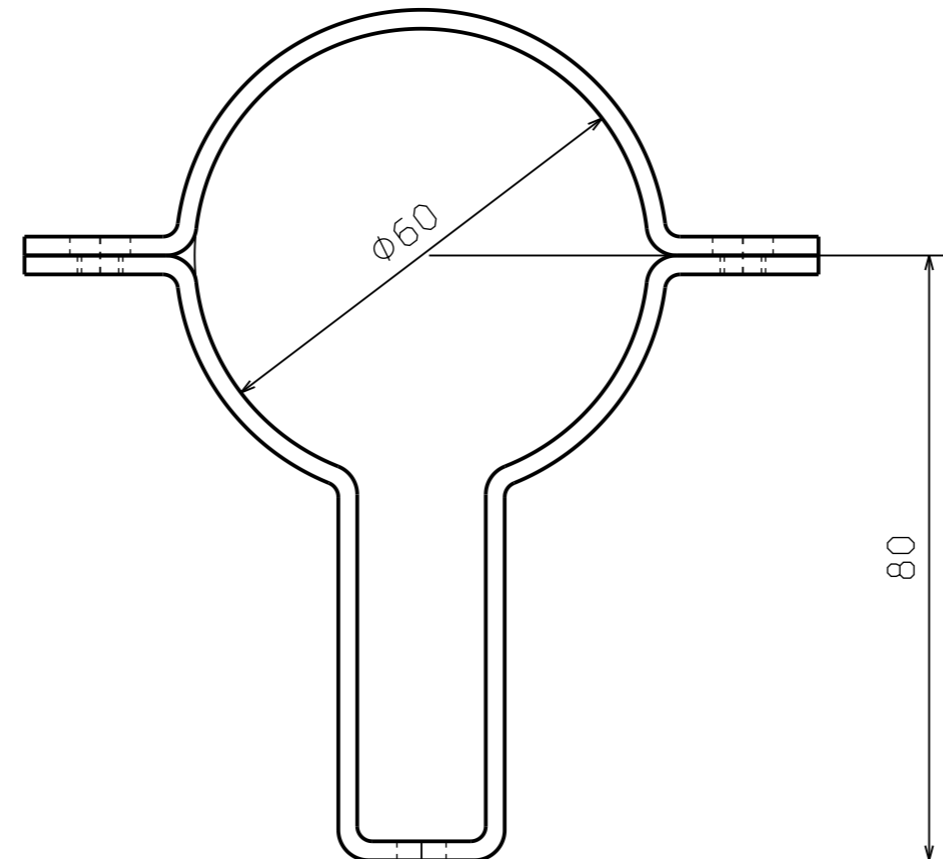
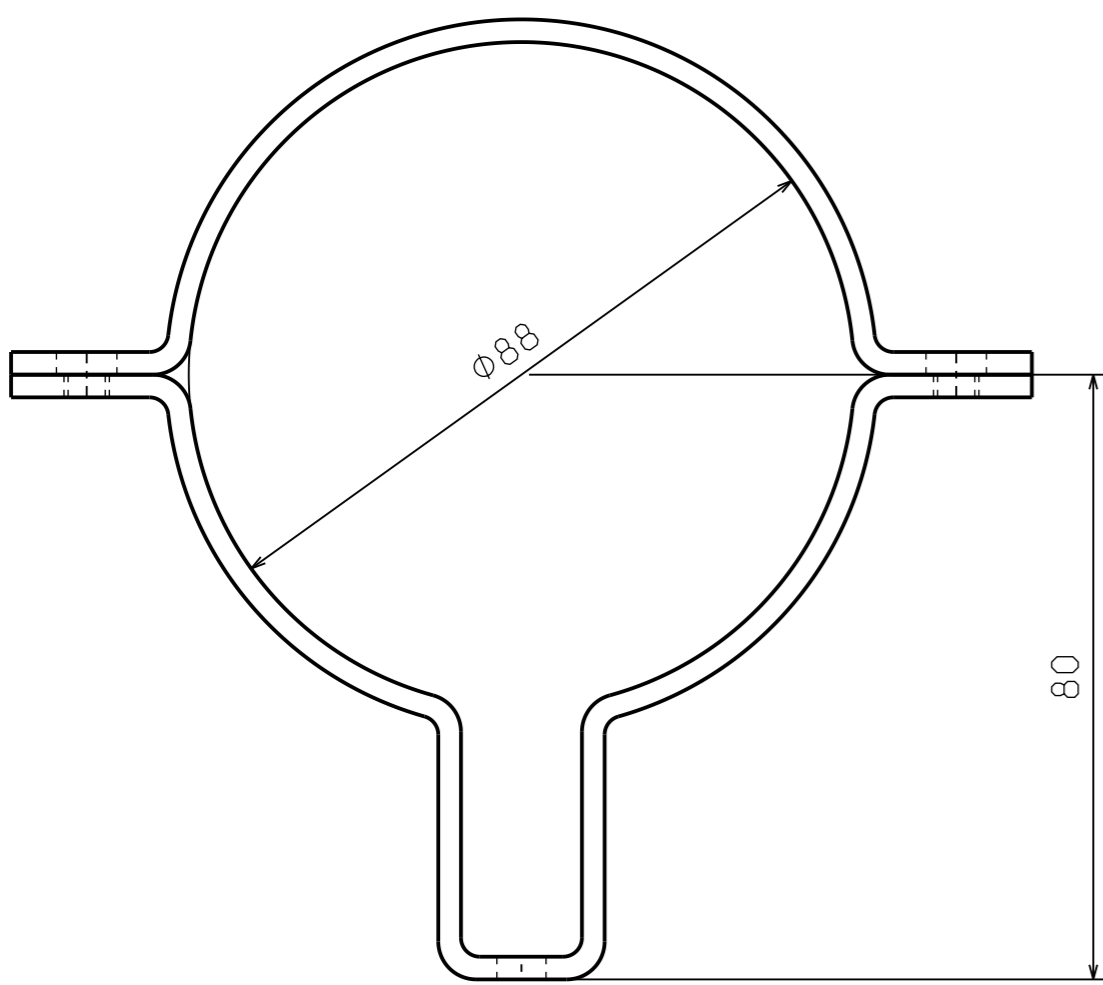
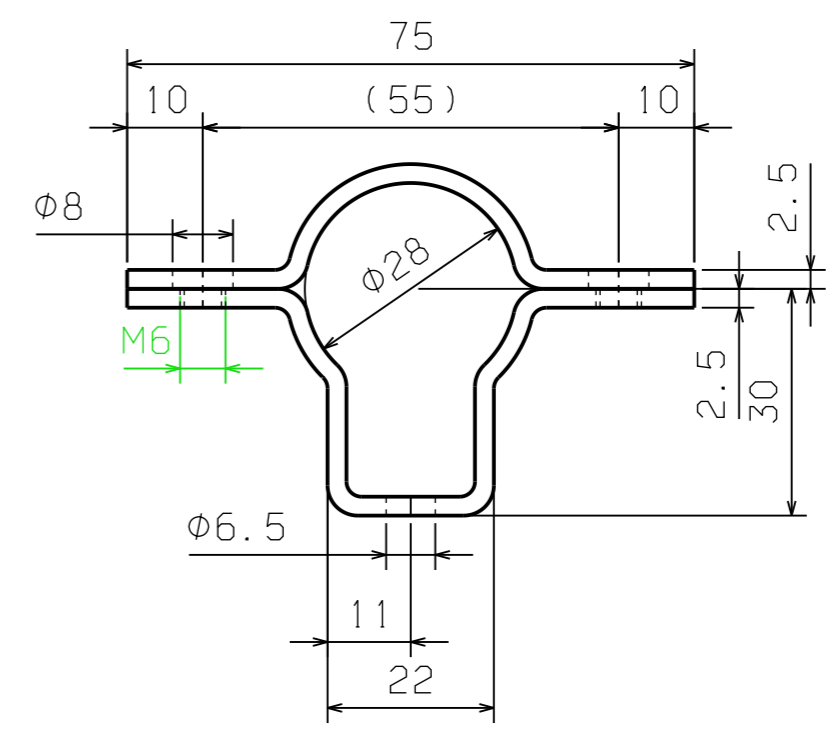
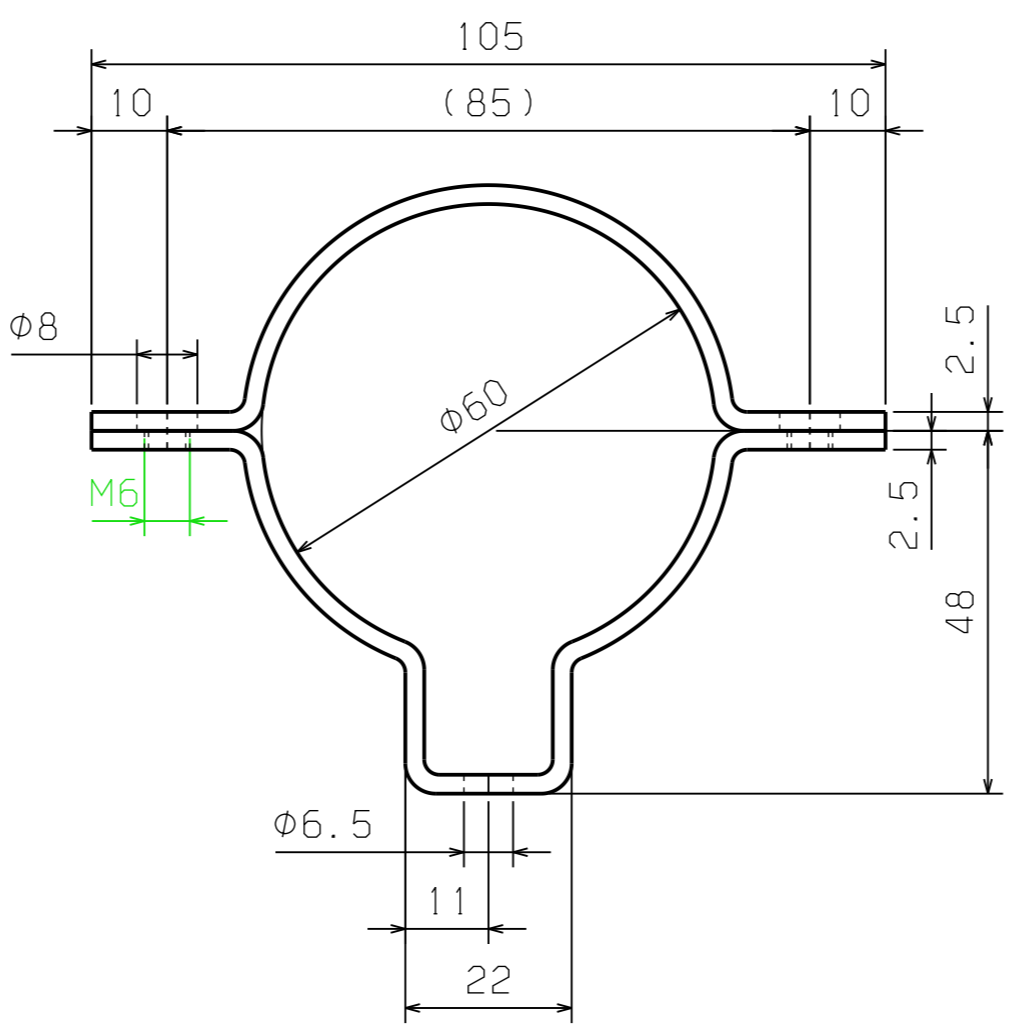
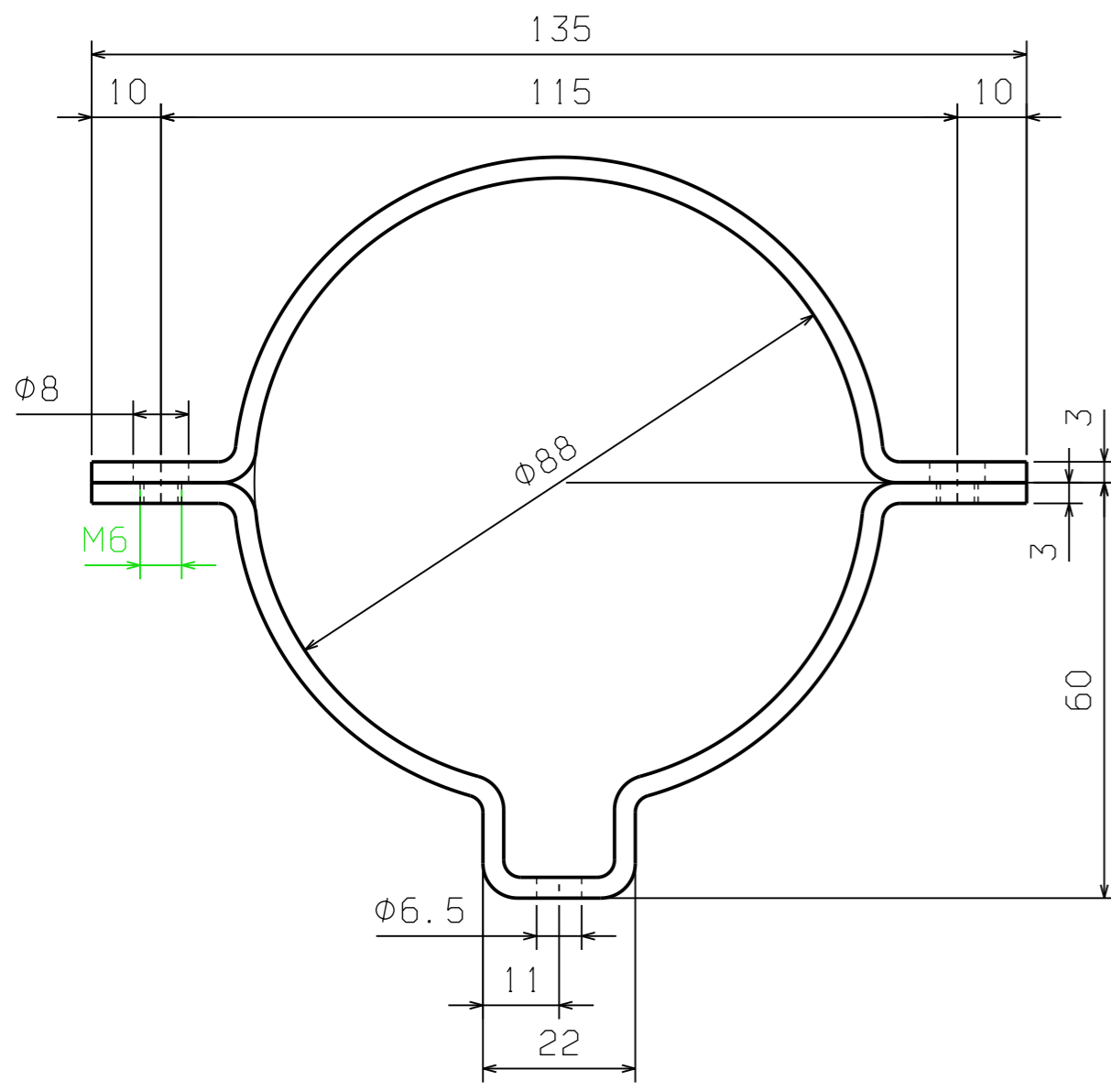
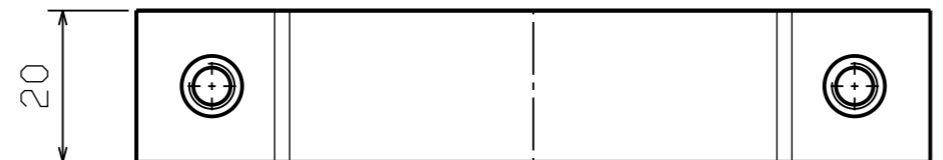


THE INFORMATION CONTAINED HEREIN IS CONFIDENTIAL AND PROPRIETARY TO METSO PAPER, INC. AND IS NOT TO BE REPRODUCED, DISCLOSED TO A THIRD PARTY, MODIFIED OR USED WITHOUT A PRIOR PERMISSION OF METSO PAPER, INC. OR ITS DULY AUTHORIZED REPRESENTATIVE. ALL RIGHTS RESERVED.



| RAU        | D  | H  |
|------------|----|----|
| RAUA323478 | 28 | 30 |
| RAUA323479 | 28 | 50 |
| RAUA323480 | 60 | 48 |
| RAUA323481 | 60 | 80 |
| RAUA323482 | 88 | 60 |
| RAUA323483 | 88 | 80 |



| DATE | NAME | CHKD | REVISION | CHS/KEY |
|------|------|------|----------|---------|
|      |      |      |          |         |
|      |      |      |          |         |
|      |      |      |          |         |

| PART   | DESCRIPTION | DIMENSIONS              | MATERIAL           | DRAWING                                 | REQ'D | NOTES        |
|--|-------------|-------------------------|--------------------|---|-------|--------------|
| GENERAL TOLERANCES, DIMENSIONS WITHOUT INDIVIDUAL TOLERANCE INDICATIONS:<br>MACHINING: ISO 2768-mk (SFS-EN 22768-1, SFS-EN 22768-2)<br>WELDING: ISO 13920-BE (SFS-EN ISO 13920)<br>CASTING: ISO 8062-D0T0 11 (SFS-EN ISO 8062-3)<br>WELDING QUALITY LEVEL C (SFS-EN ISO 5817)<br>FLAME CUTTING: ISO 9013-331 (SFS-EN ISO 9013) |             |                         |                    |   |       |              |
|  |             | PROJECTION SCALE<br>1:1 | WEIGHT kg<br>FI/EN |   |       |              |
| PRODUCT<br>SÄHKÖSUOJAPUTKEN KANNATIN<br>BRACKET, PROTECTIVE PIPE FOR ELECTRIC CABLES   |             |                         |                    | DESG J. Valkonen /EM<br>DATE 2010-02-19 |       |              |
|  |             |                         |                    | CHKD M. Eväsoja<br>DATE 2010-02-22      |       |              |
|  |             |                         |                    | APPD<br>DATE                            |       |              |
|  |             |                         | A2<br>CATIA V5     | DRAWING ID<br>RAUZ357484.00             |       | SHEET<br>1/1 |

INTERNAL THE INFORMATION CONTAINED HEREIN IS CONFIDENTIAL AND PROPRIETARY TO METSO PAPER, INC. AND IS NOT TO BE REPRODUCED, DISCLOSED TO A THIRD PARTY, MODIFIED OR USED WITHOUT A PRIOR PERMISSION OF METSO PAPER, INC. OR ITS DULY AUTHORIZED REPRESENTATIVE. ALL RIGHTS RESERVED.