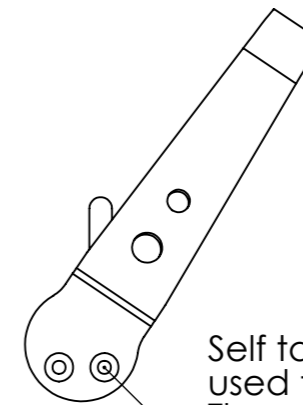
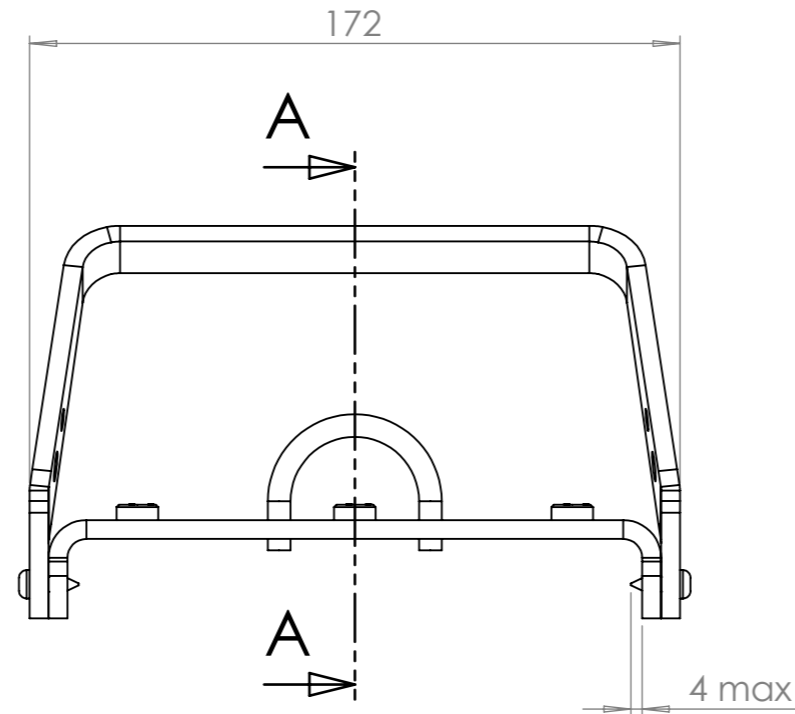
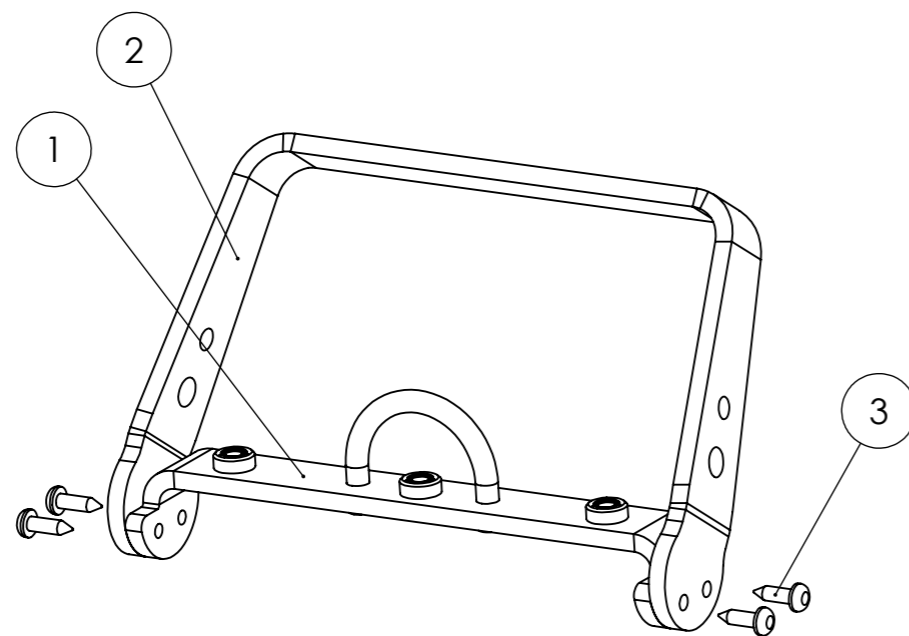


SECTION A-A



Self tapping screws are used to mount the plates together. They are placed from the outside of the 4 positioning holes

自攻螺丝在挂板上面, 被外面的4个孔固定



Part must be degreased before packing and storing in order to remove all oils, grease, films etc.

ITEM NO.	PART NUMBER	DESCRIPTION	QTY.
1	20063455	Handle Chassis Lower	1
2	20063332	Handle Chassis Upper	1
3	ST4,2	ST4,2 - ISO 7049, L=13mm	4

-	-	-	-
B	27.09.2012	Drawing gone to production doc. Rev. no. instead of letter. Outline changed	MN

Rev.	Date	Revision note	Rev. by
------	------	---------------	---------

Material		Type	Scale		Project European
Dimension		Group	Design by	MN 03.05.2012	
Surface finish		Sheet	1 of 1	Format	

YXLON YXLON International A/S Helgeshøj Alle 38 DK-2630 Taastrup Tel. +45 72 40 77 00 www.yxlon.com		Pcs. Title Chassis Handle Shock absorber Control evo		Project / Cat.no. 100020 Drawing no. 20063330		Rev. no. 1
---	--	--	--	---	--	----------------------

Dimension without tolerance use DS 2768-mK