

RoHS

NO:RD-SD-TK-038

DATE:2014/04/23 T (REV:A1)

T1/CEPT/E1/ISDN-PRI TRANSFORMERS

MODEL NO.:

FEATURES:

RoHS Compliant

RoHS peak solder rating 260°C/3~5 sec

Do not use material and use that the prohibition that SS-00259 stipulates

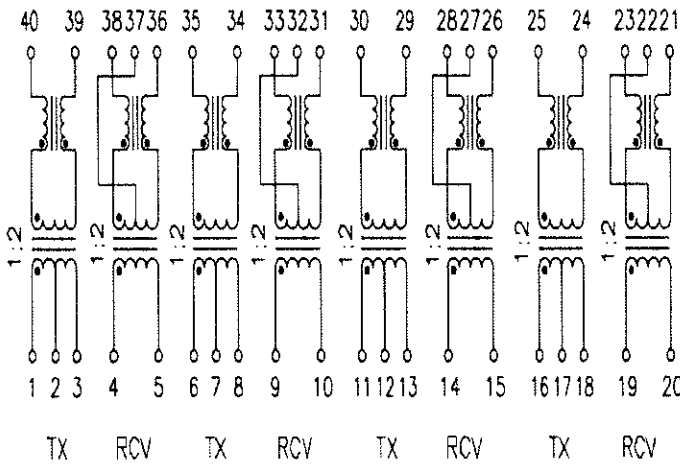
Operating temp. : 0°C TO +80°C

CHIP SIDE DCR : 0.8Ω MAX

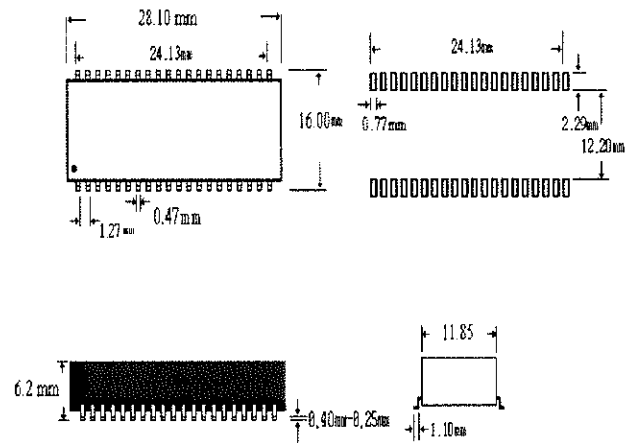
Specifications @ 25°C

Turns Ratio (Pri:Sec±2%)		OCL(mH) 100KHz,50mV	L _i (uH) 100KHz, 50mV	Cw/w(pF) 100KHz, 50mV	Choke OCL(uH) 100KHz,50mV	Crosstalk 0.5~5MHz	Isolation HI-POT
Transmit	Receive	Typ	MAX	MAX	TYP.	TYP.	Vrms
1:2	1:2	1.2	0.6	35	30	-60dB	1500

SCHEMATICS:



DIMENSION :mm TOLERANCE:±0.25



Packing :

