

4

3

2

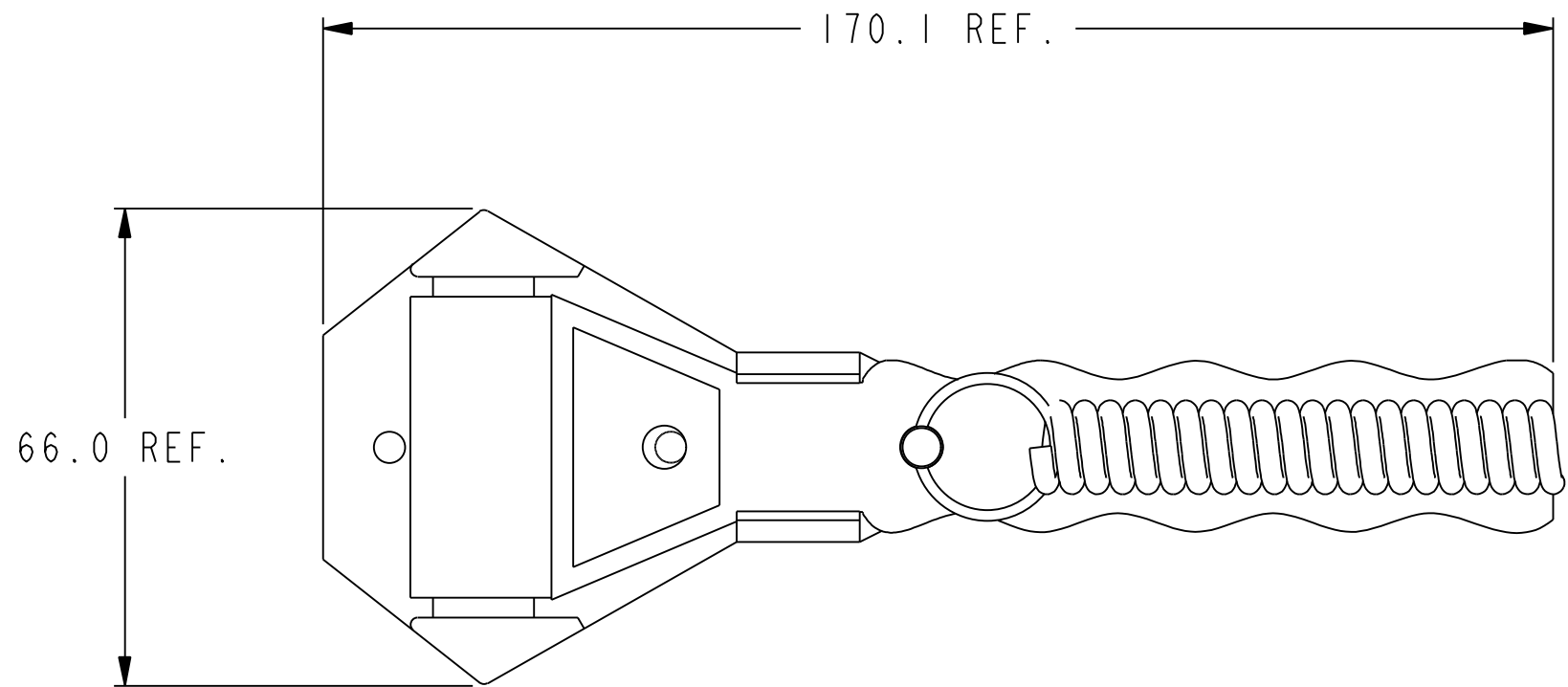
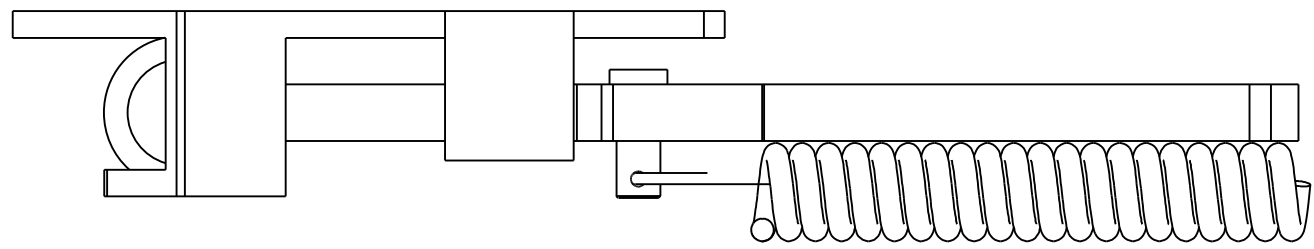
1

D

C

B

A



							MATERIAL	PRIME PER SPEC. NO.	FINISH PER SPEC. NO.
							ABS PLASTIC	DO NOT SCALE DRAWING - REPORT ERRORS	PROVE DESIGN
							&	2PLACE DEC. ±.	1PLACE MM ±[1.5]
							STEEL #45	3PLACE DEC. ±.	2PLACE MM ±[.]
								ANGLES ±.5°	
								TOLERANCES DO NOT APPLY TO WELD	
							SCALE 1.000	DIMENSIONS UNLESS OTHERWISE SPECIFIED	PRO-E
							DATE 8-18-11	ALL WELDING MUST CONFORM TO ES-166	
							DWN. BY BJN		
0	107776\PRODUCTION RELEASE	BN	8-18-11	CHK. BY					
Δ	REVISIONS	DR APP	DATE	APP. BY					
REF. 4796	SIMILAR TO:		MODEL				EMERGENCY HAMMER	168708	REV.
CUST. NO.			NEXT ASSY.						0