

Electrics, Electronics



Cable Ties, Fastenings

Page 11/200



Automotive Fuses

Page 11/309



Cables

Page 11/213



Switches

Page 11/332



Cable Connectors

Page 11/224



Battery Accessories

Page 11/339



Multiple Plug Housings

Page 11/266



Multifunctional, Voltage Tester

Page 11/372



Heat Shrink Tubing, PVC Insulating Tubes

Page 11/272



Automotive Lamps and Bulbs

Page 11/387



Insulating Tapes, Grommets, Sealing Plug

Page 11/279



Plugs and Sockets

Page 11/417



Electric Tools

Page 11/286

Cable Ties

- Material: Polyamide 6.6
- Material class: UL94V-2 / AGR 3750 UV resistant
- Temperature resistance: -55°C to +100°C
- For quick bundling of cables, cable harnesses, hoses etc.
- Raised tip ensures that tie is easy to insert into fastener
- Not detachable



| Article No. | Article Description | QTY |
|--------------|--------------------------|-------|
| 3750 25 102 | CABLE TIE 2.5X102 BLACK | H 200 |
| 3750 25 160 | CABLE TIE 2.5X160 BLACK | H 200 |
| 3750 25 200 | CABLE TIE 2.5X200 BLACK | H 200 |
| 3750 35 145 | CABLE TIE 3.5X145 BLACK | H 200 |
| 3750 35 215 | CABLE TIE 3.5X200 BLACK | H 200 |
| 3750 35 280 | CABLE TIE 3.5X280 BLACK | H 200 |
| 3750 47 195 | CABLE TIE 4.7X195 BLACK | H 200 |
| 3750 47 285 | CABLE TIE 4.7X285 BLACK | H 200 |
| 3750 47 360 | CABLE TIE 4.7X360 BLACK | H 200 |
| 3750 78 202 | CABLE TIE 7.8X202 BLACK | H 200 |
| 3750 78 282 | CABLE TIE 7.8X282 BLACK | H 200 |
| 3750 78 363 | CABLE TIE 7.8X363 BLACK | H 200 |
| 3750 78 464 | CABLE TIE 7.8X464 BLACK | f 100 |
| 3750 78 540 | CABLE TIE 7.8X540 BLACK | f 100 |
| 3750 78 750 | CABLE TIE 7.8X750 BLACK | 50 |
| 3750 125 225 | CABLE TIE 12.5X225 BLACK | 50 |
| 3751 25 102 | CABLE TIE 2.5X102 WHITE | 100 |
| 3751 25 160 | CABLE TIE 2.5X160 WHITE | 100 |
| 3751 25 200 | CABLE TIE 2.5X200 WHITE | 100 |
| 3751 35 145 | CABLE TIE 3.5X145 WHITE | 100 |
| 3751 35 215 | CABLE TIE 3.5X200 WHITE | 100 |
| 3751 35 280 | CABLE TIE 3.5X280 WHITE | 100 |
| 3751 47 195 | CABLE TIE 4.7X195 WHITE | 100 |
| 3751 47 285 | CABLE TIE 4.7X285 WHITE | 100 |
| 3751 47 360 | CABLE TIE 4.7X360 WHITE | 100 |
| 3751 78 202 | CABLE TIE 7.8X202 WHITE | 100 |
| 3751 78 282 | CABLE TIE 7.8X282 WHITE | 100 |
| 3751 78 363 | CABLE TIE 7.8X363 WHITE | 100 |
| 3751 78 464 | CABLE TIE 7.8X464 WHITE | 50 |
| 3751 125 225 | CABLE TIE 12.5X225 WHITE | 50 |

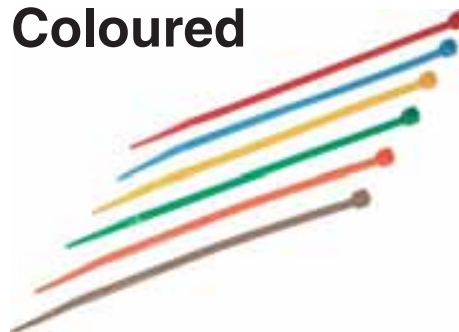
(Width x length mm)

Technical Data

| Art. No. | Bundling-Ø mm |
|--------------|---------------|
| 3750 25 102 | 2-22 |
| 3750 25 160 | 2-40 |
| 3750 25 200 | 2-52 |
| 3750 35 145 | 2-32 |
| 3750 35 215 | 215 |
| 3750 35 280 | 2-76 |
| 3750 47 195 | 2-46 |
| 3750 47 285 | 2-76 |
| 3750 47 360 | 2-102 |
| 3750 78 202 | 5-51 |
| 3750 78 282 | 5-75 |
| 3750 78 363 | 5-102 |
| 3750 78 464 | 5-135 |
| 3750 78 540 | 5-158 |
| 3750 78 750 | 5-220 |
| 3750 125 225 | 5-57 |
| 3751 25 102 | 2-22 |
| 3751 25 160 | 2-40 |
| 3751 25 200 | 2-52 |
| 3751 35 145 | 2-32 |
| 3751 35 215 | 2-15 |
| 3751 35 280 | 2-76 |
| 3751 47 195 | 2-46 |
| 3751 47 285 | 2-76 |
| 3751 47 360 | 2-102 |
| 3751 78 202 | 5-51 |
| 3751 78 282 | 5-75 |
| 3751 78 363 | 5-102 |
| 3751 78 464 | 5-135 |
| 3751 125 225 | 5-57 |

Cable Ties with Plastic Tongue, Coloured

- Material: Polyamide 6.6
- Material class: MIL, UL 94 V-2
- Temperature resistance: -40 to 85°C
- For quick bundling of cables, cable harnesses, hoses, etc.
- Not detachable



| Article No. | Article Description | QTY |
|---------------|--------------------------|-----|
| 3750 36 150 1 | CABLE TIE 3,6X150 RED | 100 |
| 3750 48 200 1 | CABLE TIE 4,8X200 RED | 100 |
| 3750 48 368 1 | CABLE TIE 4,8X368 RED | 100 |
| 3750 36 150 2 | CABLE TIE 3,6X150 BLUE | 100 |
| 3750 48 200 2 | CABLE TIE 4,8X200 BLUE | 100 |
| 3750 48 368 2 | CABLE TIE 4,8X368 BLUE | 100 |
| 3750 36 150 3 | CABLE TIE 3,6X150 YELLOW | 100 |
| 3750 48 200 3 | CABLE TIE 4,8X200 YELLOW | 100 |
| 3750 48 368 3 | CABLE TIE 4,8X368 YELLOW | 100 |
| 3750 36 150 4 | CABLE TIE 3,6X150 GREEN | 100 |
| 3750 48 200 4 | CABLE TIE 4,8X200 GREEN | 100 |
| 3750 48 368 4 | CABLE TIE 4,8X368 GREEN | 100 |
| 3750 36 150 5 | CABLE TIE 3,6X150 ORANGE | 100 |
| 3750 48 200 5 | CABLE TIE 4,8X200 ORANGE | 100 |
| 3750 48 368 5 | CABLE TIE 4,8X368 ORANGE | 100 |
| 3750 36 150 6 | CABLE TIE 3,6X150 BROWN | 100 |
| 3750 48 200 6 | CABLE TIE 4,8X200 BROWN | 100 |
| 3750 48 368 6 | CABLE TIE 4,8X368 BROWN | 100 |

(Width x length mm)

Technical Data

| Art. No. | Bundling-Ø mm |
|---------------|---------------|
| 3750 36 150 1 | 39 |
| 3750 48 200 1 | 52 |
| 3750 48 368 1 | 102 |
| 3750 36 150 2 | 39 |
| 3750 48 200 2 | 52 |
| 3750 48 368 2 | 102 |
| 3750 36 150 3 | 39 |
| 3750 48 200 3 | 52 |
| 3750 48 368 3 | 102 |
| 3750 36 150 4 | 39 |
| 3750 48 200 4 | 52 |
| 3750 48 368 4 | 102 |
| 3750 36 150 5 | 39 |
| 3750 48 200 5 | 52 |
| 3750 48 368 5 | 102 |
| 3750 36 150 6 | 39 |
| 3750 48 200 6 | 52 |
| 3750 48 368 6 | 102 |

Cable Tie Wall Holder

- Contents: 900 cable ties
- In practical FÖRCH wall holder
- For hanging on perforated plates
- Can be screwed to wall or workshop trolley
- The most common cable ties are immediately accessible
- No more searching
- Stock transparency
- Variable compartments
- Compartments can be divided as required



| Article No. | Article Description | QTY |
|-------------|-------------------------------|-----|
| 3750 5 | CABLE TIE HOLDER ASSORT.BLACK | 1 |
| 3750 50 | CABLE TIE HOLDER - EMPTY | 1 |

Art. No. 3750 5:

- 200 pieces 4.7x195
- 200 pieces 3.5x145
- 200 pieces 3.5x215
- 200 pieces 2.5x102
- 100 pieces 4.7x285

Cable Tie - Set 2

- With plastic tongue

| Article No. | Article Description | QTY |
|-------------|------------------------|-----|
| 3750P 2 | CABLE TIES-SET 2 BLACK | 1 |

Contents:

- 500 pieces 2.5x102 mm
- 300 pieces 4.7x285 mm
- 200 pieces 3.5x145 mm
- 200 pieces 4.7x195 mm
- 100 pieces 3.5x200 mm
- 100 pieces 4.7x360 mm



Cable Tie - Set 3

- With plastic tongue

| Article No. | Article Description | QTY |
|-------------|------------------------|-----|
| 3750P 3 | CABLE TIES-SET 3 BLACK | 1 |

Contents 100 each:

- 3.5x145 mm
- 3.5x200 mm
- 4.7x195 mm
- 4.7x285 mm
- 4.7x360 mm



Cable Ties, Detachable

- Permanent lock when tongue is pulled tightly
- Detachable connection for bundling cables loosely
- Single-hole mounting and double-sided processing possible
- Simple to add cables later
- Colour: black



| Article No. | Article Description | QTY |
|-------------|--------------------------------|-----|
| 3753 34 206 | DETACH.CABLE TIE 3.4X206 BLACK | 100 |
| 3753 46 172 | DETACH.CABLE TIE 4.6X172 BLACK | 100 |
| 3753 46 280 | DETACH.CABLE TIE 4.6X280 BLACK | 100 |
| 3753 76 376 | DETACH.CABLE.TIE 7.6X376 BLACK | 100 |

(Width x length mm)

Technical Data

| Art. No. | Bundling-Ø |
|-------------|------------|
| 3753 34 206 | 50 |
| 3753 46 172 | 45 |
| 3753 46 280 | 76 |
| 3753 76 376 | 102 |

Cable Ties with Expanding Rivet

- Hole dia.: 7.5 mm
- Material strength: Max. 2.5 mm



| Article No. | Article Description | QTY |
|-------------|--------------------------------|-----|
| 3755 70 80 | CABLE T.W.BODY CL.7.0X80 BLACK | 100 |
| 3755 90 160 | CABLE T.W.BODY CL.9.0X160BLACK | 100 |

(Width x Length mm)

Cable Ties with Steel Tongue Industry

- Polyamide 6.6, black design UV-stabilized
- Material class: UL94V-2
- With rounded edges and inside nubs to prevent lateral slipping
- Corrosion resistant, non-magnetic steel tongue
- Temperature resistant from -40°C to + 85°C
- Industry quality



| Article No. | Article Description | QTY |
|---------------|--------------------------------|-----|
| 3756 24 92 | CBL TIE METAL TONGUE BLK 2,4X9 | 100 |
| 3756 36 140 | CBL TIE METAL TONGUE BLK 3,6X1 | 100 |
| 3756 36 208 | CBL TIE METAL TONGUE BLK 3,6X2 | 100 |
| 3756 48 186 | CBL TIE METAL TONGUE BLK 4,8X1 | 100 |
| 3756 48 293 | CBL TIE METAL TONGUE BLK 4,8X2 | 100 |
| 3756 48 360 | CBL TIE METAL TONGUE BLK 4,8X3 | 100 |
| 3756 76 203 | CBL TIE METAL TONGUE BLK 7,6X2 | 50 |
| 3756 76 338 | CBL TIE METAL TONGUE BLK 7,6X3 | 50 |
| 3756 24 95 1 | CBL TIE MET.TONG.WHITE 2,4X92 | 100 |
| 3756 36 140 1 | CBL TIE MET.TONG.WHITE 3,6X140 | 100 |
| 3756 36 208 1 | CBL TIE MET.TONG.WHITE 3,6X208 | 100 |
| 3756 36 281 1 | CBL TIE MET.TONG.WHITE 3,6X281 | 100 |
| 3756 48 186 1 | CBL TIE MET.TONG.WHITE 4,8X186 | 100 |
| 3756 48 293 1 | CBL TIE MET.TONG.WHITE 4,8X293 | 100 |
| 3756 48 360 1 | CBL TIE MET.TONG.WHITE 4,8X360 | 100 |
| 3756 76 203 1 | CBL TIE MET.TONG.WHITE 7,6X203 | 50 |
| 3756 76 338 1 | CBL TIE MET.TONG.WHITE 7,6X338 | 50 |

(Width x length mm)

| Technical Data | |
|----------------|------------------|
| Art. No. | Bundling dia. mm |
| 3756 24 92 | 2-16 |
| 3756 36 140 | 2-29 |
| 3756 36 208 | 2-50 |
| 3756 48 186 | 3,5-45 |
| 3756 48 293 | 3,5-78 |
| 3756 48 360 | 3,5-102 |
| 3756 76 203 | 6-50 |
| 3756 76 338 | 6-90 |
| 3756 24 95 1 | 2-16 |
| 3756 36 140 1 | 2-29 |
| 3756 36 208 1 | 2-50 |
| 3756 36 281 1 | 2-76 |
| 3756 48 186 1 | 3,5-45 |
| 3756 48 293 1 | 3,5-78 |
| 3756 48 360 1 | 3,5-102 |
| 3756 76 203 1 | 6-50 |
| 3756 76 338 1 | 6-90 |

Cable Ties with Steel Tongue Standard

- Polyamide 6.6, black design UV-stabilized
- Material class: UL94V-2
- With rounded edges and inside nubs to prevent lateral slipping
- Corrosion-resistant and non-magnetic steel tongue
- Temperature resistant from -40°C to +85°C



| Article No. | Article Description | QTY |
|---------------|--------------------------------|-----|
| 3759 25 98 | CABLE TIE WT BLA.STAND.2.5X 98 | 100 |
| 3759 35 140 | CABLE TIE WT BLA.STAND.3.5X140 | 100 |
| 3759 35 200 | CABLE TIE WT BLA.STAND.3.5X200 | 100 |
| 3759 45 200 | CABLE TIE WT BLA.STAND.4.5X200 | 100 |
| 3759 45 290 | CABLE TIE WT BLA.STAND.4.5X290 | 100 |
| 3759 45 360 | CABLE TIE WT BLA.STAND.4.5X360 | 100 |
| 3759 75 360 | CABLE TIE WT BLA.STAND.7.5X360 | 50 |
| 3759 25 98 1 | CABLE TIE WT BLA.STAND.2.5X 98 | 100 |
| 3759 35 140 1 | CABLE TIE WT BLA.STAND.3.5X140 | 100 |
| 3759 35 200 1 | CABLE TIE WT BLA.STAND.3.5X200 | 100 |
| 3759 35 280 1 | CABLE TIE WT BLA.STAND.3.5X280 | 100 |
| 3759 45 200 1 | CABLE TIE WT BLA.STAND.4.5X200 | 100 |
| 3759 45 290 1 | CABLE TIE WT BLA.STAND.4.5X290 | 100 |
| 3759 45 360 1 | CABLE TIE WT BLA.STAND.4.5X360 | 100 |
| 3759 75 360 1 | CABLE TIE WT BLA.STAND.7.5X360 | 50 |

(Width x length mm)

| Technical Data | |
|----------------|------------------|
| Art. No. | Bundling dia. mm |
| 3759 25 98 | 2-16 |
| 3759 35 140 | 2-29 |
| 3759 35 200 | 2-50 |
| 3759 45 200 | 3,5-45 |
| 3759 45 290 | 3,5-78 |
| 3759 45 360 | 3,5-102 |
| 3759 75 360 | 6-90 |
| 3759 25 98 1 | 2-16 |
| 3759 35 140 1 | 2-29 |
| 3759 35 200 1 | 2-50 |
| 3759 35 280 1 | 2-76 |
| 3759 45 200 1 | 3,5-45 |
| 3759 45 290 1 | 3,5-78 |
| 3759 45 360 1 | 3,5-102 |
| 3759 75 360 1 | 6-90 |

Cable Tie Fastening Plugs

- For cable tie widths up to 4.9 mm
- For 6mm holes in metal, concrete, wood etc.



| Article No. | Article Description | QTY |
|-------------|----------------------------|-------|
| 3759 40 | CABLE FASTENING PLUG BLACK | f 100 |

Cable Ties, Stainless Steel

- Flat, self-arresting fastener
- Ideal for the use in aggressive environments
- Temperature resistance: -80°C to +538°C
- Non-magnetic
- No tools required for fastening



| Article No. | Article Description | QTY |
|-------------|--------------------------------|-------|
| 3752 46 200 | STAINL.STEEL CABL.STRAP4.6X200 | zg 50 |
| 3752 46 360 | STAINL.STEEL CABL.STRAP4.6X360 | 100 |
| 3752 46 520 | STAINL.STEEL CABL.STRAP4.6X520 | 100 |
| 3752 79 200 | STAINL.STEEL CABL.STRAP7.9X200 | 50 |
| 3752 79 360 | STAINL.STEEL CABL.STRAP7.9X360 | 50 |
| 3752 79 520 | STAINL.STEEL CABL.STRAP7.9X520 | 50 |
| 3752 79 680 | STAINL.STEEL CABL.STRAP7.9X680 | 50 |

(Width x length mm)

| Technical Data | | |
|----------------|------------------|-----------------------|
| Art. No. | Bundling dia. mm | Min. Pull strength kg |
| 3752 46 200 | 51 | 45 |
| 3752 46 360 | 102 | 45 |
| 3752 46 520 | 152 | 45 |
| 3752 79 200 | 51 | 113 |
| 3752 79 360 | 102 | 113 |
| 3752 79 520 | 152 | 113 |
| 3752 79 680 | 203 | 113 |

Cable Tie Unreeling Unit, Endless

- For bundling cables, hoses etc. for all diameters required
- Handy version, simple to operate
- Cable tie width: 4.5 mm

Part No. 3758 1:

- Cable tie unreeling unit, endless, completely with 15 m endless tie strap and 200 cable tie locks
- Colour: black

Part No. 3758 10:

- Endless cable tie replacement roll
- Colour: black

Part No. 3758 20:

- Endless cable tie replacement roll
- Colour: white

Part No. 3758 11 :

- Cable tie lock replacement clips, 200 locks (10 clips with 20 locks each)
- Colour: black

Part No. 3758 21:

- Cable tie lock replacement clips 200 locks (10 clips with 20 locks each)
- Colour: white



| Article No. | Article Description | QTY |
|-------------|---------------------------------|-----|
| 3758 1 | CABLE TIE UNREEL.UNIT BLACK | 1 |
| 3758 10 | RO(15M) ENDL.CABLE TIE BLACK | 1 |
| 3758 20 | RO(15M)ENDLESS CABLE TIE WHITE | 1 |
| 3758 11 | PCK(200)CABLE TIE LOCKS BLACK | 1 |
| 3758 21 | PCK(200)CABLE TIE LOCK WHITE | 1 |
| 3758 3 | PCK(5)REPL.CUT.F.UNREEL.UNIT | 1 |
| 3758 4 | REP.MOUTH.P.F.CABLE TIE UNR.UN. | 1 |

Cable Ties, Nylon Black

- Material: Polyamide 12
- Temperature resistance: -40°C to +80°C
- Resistant to oil, grease, salt, hydrocarbon
- UV stabilized
- Not resistant to solvents containing chlorine
- For fast bundling of cables, cable harnesses, hoses etc.
- Not detachable



| Article No. | Article Description | QTY |
|---------------|-----------------------------|-----|
| 3757 90 185 1 | CABLE TIE NYLON BLACK 9X180 | 100 |
| 3757 90 265 | CABLE TIE NYLON BLACK 9X265 | 100 |
| 3757 90 360 | CABLE TIE NYLON BLACK 9X360 | 100 |
| 3757 90 510 | CABLE TIE NYLON BLACK 9X510 | 100 |
| 3757 90 760 | CABLE TIE NYLON BLACK 9X760 | 100 |

(Width x length mm)

| Technical Data | | | |
|----------------|-----------------------|------------------------------|---------------------|
| Art. No. | Bundling dia. mm max. | Max pull strength max. Kg/Nm | Locking Lug |
| 3757 90 185 1 | 47 | 36/360 | Single |
| 3757 90 265 | 60 | 51/500 | Double |
| 3757 90 360 | 93 | 51/500 | Double |
| 3757 90 510 | 140 | 54/530 | Double (reinforced) |
| 3757 90 760 | 220 | 54/530 | Double (reinforced) |

Cable Ties for Single Hole Mounting

- User-friendly cable tie for single hole mounting
- Fixing from both sides possible (toothed at both sides)
- Can be released as long as the tie is not tightened
- With and without centering (MZE/OZE)
- Colour: black
- Material: Polyamid 6.6 (PA66HS)
- Operating temperature: -40°C to +105°C, short-term up to +145°C
- Fire protection: UL94V2

Application:

The single hole mounting at supports in automobile, truck and engineering



| Article No. | Article Description | QTY |
|---------------|--------------------------------|-----|
| 3754 76 200 | C.T.SING.H.MOU.7.6X200 BLA.MZE | 100 |
| 3754 76 200 1 | C.T.SING.H.MOU.7.6X200 BLA.OZE | 100 |
| 3754 76 375 | C.T.SING.H.MOU.7.6X375 BLA.MZE | 50 |
| 3754 76 375 1 | C.T.SING.H.MOU.7.6X375 BLA.OZE | 50 |

(Width x length mm)

| Technical Data | |
|------------------|---------------------------|
| Bundling dia. mm | Min. retention force (Nm) |
| 50 | 700 |
| 50 | 700 |
| 100 | 700 |
| 100 | 700 |

Cable Tie Clamping Pliers

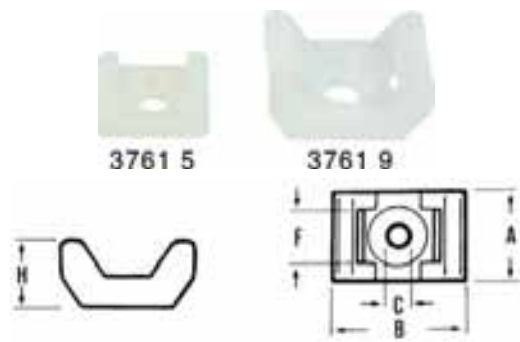
- For cable ties with width of 4.8 to 9.0 mm
- Length 190 mm
- With integrated cable tie cutter



| Article No. | Article Description | QTY |
|-------------|--------------------------------|-----|
| 3790 48 | CABLE TIE CLAMP.PLIERS 4.8-9MM | 1 |

Screw Base

- For fixing of cable ties
- Colour: nature



| Article No. | Article Description | QTY |
|-------------|--------------------------------|-----|
| 3761 5 | SCR.BASE F.CABLE TIE UP TO 5MM | 100 |
| 3761 9 | SCR.BASE F.CABLE TIE UP TO 9MM | 100 |

| Technical Data | | | | | | |
|----------------|-----|------|-----|-----|------|------------------------|
| Art No. | A | B | C | F | H | For cable tie up to mm |
| | mm | mm | mm | mm | mm | |
| 3761 5 | 9.5 | 15 | 3.9 | 5.0 | 7.0 | 5.0 |
| 3761 9 | 15 | 22.5 | 5.0 | 9.0 | 11.0 | 9.0 |

Base, Self-adhesive

- For fastening cable ties on surfaces free of dust and grease, e.g., metal, paint, plastic, wood, plaster, paper etc.



| Article No. | Article Description | QTY |
|-------------|--------------------------------|-------|
| 3761 78 | ADH.BASE WHITE F.CABLE TIE 7,8 | f 100 |
| 3761 78 1 | ADH.BASE BLACK F.CABLE TIE 7,8 | f 100 |

| Technical Data | | |
|----------------|---------|--------------------------|
| Colour | LxW mm | For cable strap up to mm |
| white | 26 x 26 | 7.8 |
| black | 26 x 26 | 7.8 |

Chassis Clamps

- Galvanized steel
- For fastening cables and lines on chassis, especially on trucks and trailers
- Corrosion resistant



| Article No. | Article Description | QTY |
|---------------|-------------------------------|-----|
| 3764 28 15 5 | CHASSIS CLAMPS ZI 28X12X5MM | 100 |
| 3764 43 22 5 | CHASSIS CLAMPS ZI 43X12X5MM | 100 |
| 3764 60 28 75 | CHASSIS CLAMPS ZI 60X12X7,5MM | 100 |

| Technical Data | | |
|----------------|-------|-----------|
| L1 | L3 | Thickness |
| 22 mm | 15 mm | 0.6 mm |
| 34 mm | 22 mm | 0.9 mm |
| 50 mm | 28 mm | 1.0 mm |

(L2xWxH mm)

Cable Clamps DIN 72571

- Galvanized steel
- Light duty version



| Article No. | Article Description | QTY |
|-------------|---------------------|-----|
| 3765 4 | CABLE CLAMPS 4 | 100 |
| 3765 5 | CABLE CLAMPS 5 | 100 |
| 3765 6 | CABLE CLAMPS 6 | 100 |
| 3765 8 | CABLE CLAMPS 8 | 100 |
| 3765 10 | CABLE CLAMPS 10 | 100 |
| 3765 12 | CABLE CLAMPS 12 | 100 |
| 3765 15 | CABLE CLAMPS 15 | 100 |
| 3765 20 | CABLE CLAMPS 20 | 100 |

| Technical Data | |
|----------------|-----------------------|
| Art. No. | Mounting hole dia. mm |
| 3765 4 | 4.8 |
| 3765 5 | 4.8 |
| 3765 6 | 4.8 |
| 3765 8 | 4.8 |
| 3765 10 | 4.8 |
| 3765 12 | 5.8 |
| 3765 15 | 5.8 |
| 3765 20 | 7.0 |

(for dia. mm)

Cable Clamps, Plastic

- For fastening cables and lines
- Mounting hole dia.: 5 mm
- Width: 12.5 mm

| Article No. | Article Description | QTY |
|-------------|---------------------------|-------|
| 3765 100 10 | CABLE CLAMPS PLASTIC 10MM | f 100 |
| 3765 100 12 | CABLE CLAMPS PLASTIC 12MM | f 100 |

(for cables up to dia.mm)



Cable Clips

- Self-adhesive, polyamide cable fasteners
- For fastening cables, hoses, pipes etc.
- Adhere to any surface free of dust and grease, e.g., metal, paint, plastic, wood, plaster, paper etc.
- Save time by eliminating drilling, screwing, riveting etc.
- Also easy to install in limited spaces



| Article No. | Article Description | QTY |
|-------------|--------------------------------|-----|
| 3760 5 | CABLE CLIPS SELF-ADHESIVE 5MM | 50 |
| 3760 8 | CABLE CLIPS SELF-ADHESIVE 8MM | 50 |
| 3760 16 | CABLE CLIPS SELF-ADHESIVE 16MM | 50 |

(for cables up to dia. mm)

| Technical Data | | |
|----------------|----------|-----------|
| Length mm | Width mm | Height mm |
| 16.0 | 16.0 | 7 |
| 25.5 | 25.5 | 11 |
| 32.0 | 32.0 | 16 |

Cable FLK

- Plastic-sheathed
- On cable roll (without holder)



| Article No. | Article Description | QTY |
|-------------|--------------------------------|-----|
| 3720 05 | RO(100) CABLE 0,5 BLACK | 1 |
| 3720 05 2 | RO(100M) CABLE 0,5 RED | 1 |
| 3720 05 4 | RO(100M) CABLE 0,5 BLUE | 1 |
| 3720 05 5 | RO(100M) CABLE 0,5 YELLOW | 1 |
| 3720 05 8 | RO(100M) CABLE 0,5 BROWN | 1 |
| 3720 075 | RO(100M) CABLE 0,75 BLACK | 1 |
| 3720 075 1 | RO(100) CABLE 0,75 GREEN/YELL. | 1 |
| 3720 075 2 | RO(100M) CABLE 0,75 RED | 1 |
| 3720 075 3 | RO(100M) CABLE 0,75 GREEN | 1 |
| 3720 075 4 | RO(100M) CABLE 0,75 BLUE | 1 |
| 3720 075 5 | RO(100M) CABLE 0,75 YELLOW | 1 |
| 3720 075 7 | RO(100M) CABLE 0,75 GREY | 1 |
| 3720 075 8 | RO(100M) CABLE 0,75 BROWN | 1 |
| 3720 075 9 | RO(100M) CABLE 0,75 VIOLET | 1 |
| 3720 075 10 | RO(100M) CABLE 0,75 ORANGE | 1 |
| 3720 10 | RO(100M) CABLE TIE 1,0 BLACK | 1 |
| 3720 10 1 | RO(100) CABLE 1,0 GREEN/YELL. | 1 |
| 3720 10 2 | RO(100M) CABLE 1,0 RED | 1 |
| 3720 10 4 | RO(100M) CABLE 1,0 BLUE | 1 |
| 3720 10 5 | RO(100M) CABLE 1,0 YELLOW | 1 |
| 3720 10 6 | RI(100M) CABLE 1,0 WHITE | 1 |
| 3720 10 7 | RI(100M) CABLE 1,0 GREY | 1 |
| 3720 10 8 | RO(100M) CABLE 1,0 BROWN | 1 |
| 3720 15 | RO(100M) CABLE 1,5 BLACK | 1 |
| 3720 15 1 | RO(100) CABLE 1,5 GREEN/YELL. | 1 |

| Article No. | Article Description | QTY |
|-------------|--------------------------------|-----|
| 3720 15 2 | RO(100M) CABLE 1,5 RED | 1 |
| 3720 15 3 | RO(100M) CABLE 1,5 GREEN | 1 |
| 3720 15 4 | RO(100M) CABLE 1,5 BLUE | 1 |
| 3720 15 5 | RO(100M) CABLE 1,5 YELLOW | 1 |
| 3720 15 6 | RO(100M) CABLE 1,5 WHITE | 1 |
| 3720 15 7 | RO(100M) CABLE 1,5 GREY | 1 |
| 3720 15 8 | RO(100M) CABLE 1,5 BROWN | 1 |
| 3720 15 9 | RO(100M)CABLE 1,5 VIOLET | 1 |
| 3720 15 10 | RO(100M) CABLE 1,5 ORANGE | 1 |
| 3720 20 | RO(25M) CABLE 2,0 BLACK | 1 |
| 3720 20 2 | RO(25M) CABLE 2,0 RED | 1 |
| 3720 20 4 | RO(25M) CABLE 2,0 BLUE | 1 |
| 3720 25 | RO(50M) CABLE 2,5 BLACK | 1 |
| 3720 25 1 | RO(50M) CABLE 2,5 GREEN/YELLOW | 1 |
| 3720 25 2 | RO(50M) CABLE 2,5 RED | 1 |
| 3720 25 3 | RO(100M) CABLE 2,5 GREEN | 1 |
| 3720 25 4 | RO(50M) CABLE 2,5 BLUE | 1 |
| 3720 25 5 | RO(50M) CABLE 2,5 YELLOW | 1 |
| 3720 25 6 | RO(100M) CABLE 2,5 WHITE | 1 |
| 3720 25 7 | RO(100M) CABLE 2,5 GREY | 1 |
| 3720 25 8 | RO(50M) CABLE 2,5 BROWN | 1 |
| 3720 4 | RO(25M) CABLE 4,0 BLACK | 1 |
| 3720 4 2 | RO(25M) CABLE 4,0 RED | 1 |
| 3720 6 | RO(25M) CABLE 6,0 BLACK | 1 |
| 3720 60 2 | RO(25M) CABLE 6,0 RED | 1 |

Cable FLKZ

- Plastic-sheathed twin/quadruple wires
- Speaker cable
- On cable rolls

Colours:

- Art. No. 3721 4 075: black, red, yellow, blue

| Article No. | Article Description | QTY |
|-------------|------------------------------|-----|
| 3721 2 075 | RO(50M) SPEAKER CABLE 2X0,75 | 1 |
| 3721 2 15 | RO(50M) SPEAKER CABLE 2X1,5 | 1 |
| 3721 4 075 | RO(25M) SPEAKER CABLE 4X0,75 | 1 |



Cable FLKK

- Double plastic-sheathed
- On cable rolls

| Article No. | Article Description | QTY |
|-------------|--------------------------------|-----|
| 3722 075 | RO(50M) CALBE FLKK BLACK 0,75 | 1 |
| 3722 10 | RO(50M) CALBE FLKK BLACK 1,0 | 1 |
| 3722 15 | RO(50M) CABLE FLKK BLACK 1,5 | 1 |
| 3722 25 | RO(25M) CABLE FLKK BLACK 2,5 | 1 |
| 3722 2 10 | RO(50M) CABLE FLKK BLACK 2X1,0 | 1 |
| 3722 2 15 | RO(25M) CABLE FLKK BLACK 2X1,5 | 1 |
| 3722 2 25 | RO(25M)CABLE FLKK BLACK 2X2,5 | 1 |



Ignition Wire

- Bundled

| Article No. | Article Description | QTY |
|-------------|--------------------------------|-----|
| 3727 7 1 | RI(25M)IGN.CABLE BLACK Ø7X1MM² | 1 |



Cable FLYY

- Multiple core cable
- Conductor with various colours
- Bundled conductor
- Black

Colours:

- Art. No. 3723 3 15: white, black, brown
- Art. No. 3723 4 15: white, black, brown, yellow
- Art. No. 3723 5 15: white, black, brown, yellow, green
- Art. No. 3723 7 15: white, black, brown, yellow, green, red, blue
- Art. No. 3723 13 15: red/white, blue/white, orange, yellow/white, brown, black, white, green, purple, blue, red, yellow, grey



| Article No. | Article Description | QTY |
|-------------|--------------------------------|-----|
| 3723 3 15 | RI(50M) MULTI CORE CABLE 3X1,5 | 1 |
| 3723 4 15 | RI(50M) MULTI CORE CABLE 4X1,5 | 1 |
| 3723 5 15 | RI(50M) MULTI CORE CABLE 5X1,5 | 1 |
| 3723 7 15 | RI(50M) MULTI CORE CABLE 7X1,5 | 1 |
| 3723 13 15 | RI(25M)MULTI CORE CABLE 13X1.5 | 1 |

Cable H05RR-F

- Standard designation: H05RR-F
- Light-weight cable with tubular rubber jacket
- Multiple conductor cable
- Conductor with various colours
- Bundled conductor
- Black

Colours:

- Art. No. 3724 2 25: brown, blue
- Art. No. 3724 3 25: brown, blue, green/yellow
- Art. No. 3724 4 25: brown, blue, green/yellow, black



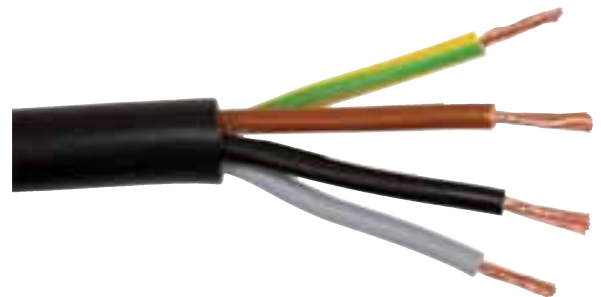
| Article No. | Article Description | QTY |
|-------------|--------------------------------|-----|
| 3724 2 25 | RI(50M) CABLE HO5RR-F SZ 2X2,5 | 1 |
| 3724 3 25 | RI(50M) CABLE HO5RR-F SZ 3X2,5 | 1 |
| 3724 4 25 | RI(50M) CABLE HO5RR-F SZ 4X2,5 | 1 |

Cable H05VV-F

- Standard designation: H05VV-F
- Medial rubber hose wire
- Multiple conductor cable
- Conductor with various colours
- Bundled conductor

Colours:

- Art. No. 3724 10 2 075: brown, blue
- Art. No. 3724 10 2 1: brown, blue
- Art. No. 3724 10 2 15: brown, blue
- Art. No. 3724 10 2 15 1: brown, blue
- Art. No. 3724 10 4 075: brown, blue, black, green/yellow
- Art. No. 3724 10 4 25: brown, blue, black, green/yellow
- Art. No. 3724 11 2 075: brown, blue
- Art. No. 3724 11 2 1: brown, blue
- Art. No. 3724 11 2 15: brown, blue
- Art. No. 3724 11 3 1: brown, blue, green/yellow
- Art. No. 3724 11 3 15: brown, blue, green/yellow
- Art. No. 3724 11 4 1: brown, black, green/yellow
- Art. No. 3724 11 5 1: blue, grey, green/yellow, brown, black
- Art. No. 3724 11 7 1: black 1, black 2, black 3, black 4, black 5, black 6, yellow/green



| Article No. | Article Description | QTY |
|----------------|------------------------------|-----|
| 3724 10 2 075 | RI(50M) HO5VV-F 2X0,75 GREY | 1 |
| 3724 10 2 1 | RI(25M) HO5VV-F 2X1 GREY | 1 |
| 3724 10 2 15 | RI(25M) HO5VV-F 2X1,5 GREY | 1 |
| 3724 10 2 15 1 | RI(100M) HO5VV-F 2X1,5 GREY | 1 |
| 3724 10 4 075 | RI(50M) HO5VV-F 4X0,75 GREY | 1 |
| 3724 10 4 25 | RI(25M) HO5VV-F 4X2,5 GREY | 1 |
| 3724 11 2 075 | RI(50M) HO5VV-F 2X0,75 BLACK | 1 |

| Article No. | Article Description | QTY |
|--------------|-----------------------------|-----|
| 3724 11 2 1 | RI(50M) HO5VV-F 2X1 BLACK | 1 |
| 3724 11 2 15 | RI(50M) HO5VV-F 2X1,5 BLACK | 1 |
| 3724 11 3 1 | RI(50M) HO5VV-F 3X1 BLACK | 1 |
| 3724 11 3 15 | RI(50M) HO5VV-F 3X1,5 BLACK | 1 |
| 3724 11 4 1 | RI(50M) HO5VV-F 4X1 BLACK | 1 |
| 3724 11 5 1 | RI(50M) HO5VV-F 5X1 BLACK | 1 |
| 3724 11 7 1 | RI(50M) HO5VV-F 7X1 BLACK | 1 |

Cable Dispenser System

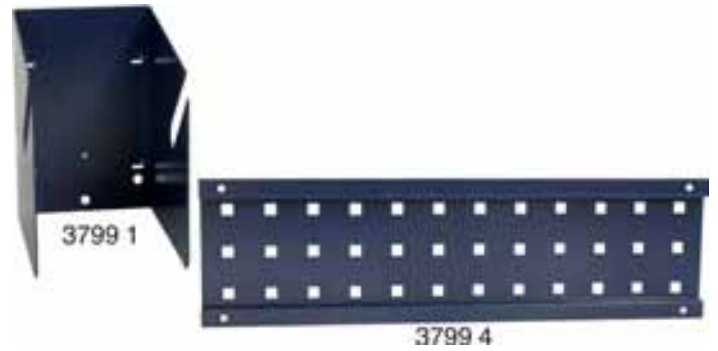
For clear, space-saving storage:

- Individually removable cable spools
- One or more spool holder can be mounted on all Förch perforated panels or rack systems

Part No. 3799 4:

- For 4 cable spool holders

| Article No. | Article Description | QTY |
|-------------|--------------------------------|-----|
| 3799 1 | CABLE SPOOL HOLDER | 1 |
| 3799 4 | PERFORATED PANEL FOR DISPENSER | 1 |



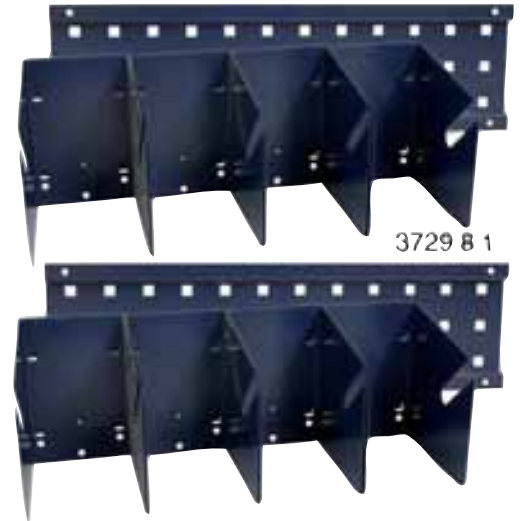
Cable Dispenser System, Not Assembled

Part No. 3729 41:

- 4 cable spool holders (LxHxD 465x145x155 mm), not assembled and 1 perforated panel

Part No. 3729 81:

- 8 cable spool holders, not assembled and 2 perforated panels



| Article No. | Article Description | QTY |
|-------------|--------------------------------|-----|
| 3729 4 1 | CABLE DISP.F.4 ROL.NOT-ASSEMB. | 1 |
| 3729 8 1 | CABLE DISP.F.8 ROL.NOT ASSEMB. | 1 |

Cable Dispenser – Assembled

| Article No. | Article Description | QTY |
|-------------|--------------------------------|-----|
| 3729 4 | CABLE DISP.ASSEMBLED WITH 4RO. | 1 |
| 3729 8 | CALBE DISP.ASEMBLES WITH 8RO. | 1 |

Art. No. 3729 4:

| Article No. | Article Description | Quantity |
|-------------|--------------------------------|----------|
| 3720 075 | RO(100M) CABLE 0.75 BLACK | 1 |
| 3720 15 | RO(100M) CABLE 1,5 BLACK | 1 |
| 3720 15 2 | RO(100M) CABLE 1,5 RED | 1 |
| 3721 2 075 | RO(50M) SPEAKER CABLE 2X0,75 | 1 |
| 3799 1 | CABLE SPOOL HOLDER | 4 |
| 3799 4 | PERFORATED PANEL FOR DISPENSER | 1 |

Art. No. 3729 8:

| Article No. | Article Description | Quantity |
|-------------|--------------------------------|----------|
| 3720 075 | RO(100M) CABLE 0.75 BLACK | 1 |
| 3720 075 2 | RO(100M) CABLE 0,75 RED | 1 |
| 3720 15 | RO(100M) CABLE 1,5 BLACK | 1 |
| 3720 15 2 | RO(100M) CABLE 1,5 RED | 1 |
| 3720 15 8 | RO(100M) CABLE 1,5 BROWN | 1 |
| 3720 25 | RO(50M) CABLE 2,5 BLACK | 1 |
| 3721 2 075 | RO(50M) SPEAKER CABLE 2X0,75 | 1 |
| 3722 2 15 | RO(25M) CABLE FLKK BLACK 2X1,5 | 1 |
| 3729 8 1 | CABLE DISP.F.8 ROL.NOT ASSEMB. | 1 |



Cable Connectors, Insulated for 0.25-1.0 mm² Cable

| Article No. | Article Description | QTY |
|-------------|--------------------------------|--------|
| 3700 851 | CRIMP CNCTR-RED INS FEMALE 6,3 | HR 500 |
| 3700 855 | CRIMP CNCTR-RED PIGGY BACK RED | HR 500 |
| 3700 901 | CRIMP CNCTR-RED FEMALE 6,3 | HR 500 |
| 3700 906 | CRIMP CNCTR-RED FEMALE 4,8 | HR 500 |
| 3700 907 | CRIMP CNCTR-RED FEMALE 2,8 | HR 500 |
| 3700 908 | CRIMP CNCTR-RED MALE 2,8 | HR 500 |
| 3700 909 | CRIMP CNCTR-RED MALE 4,8 | HR 500 |
| 3700 911 | CRIMP CNCTR-RED RING M3 | HR 500 |
| 3700 912 | CRIMP CNCTR-RED RING M4 | HR 500 |
| 3700 913 | CRIMP CNCTR-RED RING M5 | HR 500 |
| 3700 924 | CRIMP CNCTR-RED MALE BULLET 4M | HR 500 |
| 3700 926 | CRIMP CNCTR-RED FEMALE BULLET | HR 500 |
| 3700 930 | CRIMP CNCTR-RED SPADE M4 | HR 500 |
| 3700 933 | CRIMP CNCTR-RED RING M6 | HR 500 |
| 3700 937 | CRIMP CNCTR-RED MALE 6,3 | HR 500 |
| 3700 941 | BUTT CONNECTOR RED 941 | HR 500 |
| 3700 947 | CRIMP CNCTR-RED 1,9MM | HR 500 |
| 3700 970 | CRIMP CNCTR-RED SPADE M5 | HR 500 |



Cable Connectors, Insulated, for 1.5-2.5 mm² Cable

| Article No. | Article Description | QTY |
|-------------|--------------------------------|--------|
| 3700 852 | CRIMP CNCTR-BLUE INS FEM.6.3MM | HR 500 |
| 3700 902 | CRIMP CNCTR-BLUE FEMALE 6,3 | HR 500 |
| 3700 903 | CRIMP CNCTR-BLUE FEMALE 8,0 | HR 500 |
| 3700 905 | CRIMP CNCTR-BLUE PIGGY BL6.3MM | HR 500 |
| 3700 910 | CRIMP CNCTR-BLUE MALE 4,8 | HR 500 |
| 3700 914 | CRIMP CNCTR-BLUE RING M3 | HR 500 |
| 3700 915 | CRIMP CNCTR-BLUE RING M4 | HR 500 |
| 3700 916 | CRIMP CNCTR-BLUE RING M5 | HR 500 |
| 3700 917 | CRIMP CNCTR-BLUE RING M6 | HR 500 |
| 3700 918 | CRIMP CNCTR-BLUE RING M8 | HR 500 |
| 3700 919 | CRIMP CNCTR-BLUE RING M10 | HR 500 |
| 3700 925 | CRIMP CNCTR-BLUE MALE BULLET 5 | HR 500 |
| 3700 927 | CRIMP CNCTR-BLUE FEMALE BULLET | HR 500 |
| 3700 931 | CRIMP CNCTR-BLUE SPADE M4 | HR 500 |
| 3700 934 | CRIMP CNCTR-BLUE FEMALE 4,8 | HR 500 |
| 3700 936 | CRIMP CNCTR-BLUE MALE 6,3 | HR 500 |
| 3700 939 | CRIMP CNCTR-BLUE BUTT | HR 500 |
| 3700 946 | CRIMP CNCTR-BLUE 1,9MM | HR 500 |
| 3700 971 | CRIMP CNCTR-BLUE SPADE M5 | HR 500 |



Cable Connectors, Insulated, for 4.0-6.0 mm² Cable

| Article No. | Article Description | QTY |
|-------------|--------------------------------|--------|
| 3700 853 | CRIMP CNCTR-YEL INS FEMALE 6,3 | HR 500 |
| 3700 900 | CRIMP CNCTR-YEL FEMALE 9,5 | HR 500 |
| 3700 904 | CRIMP CNCTR-YEL FEMALE 6,3 | HR 500 |
| 3700 920 | CRIMP CNCTR-YEL RING M5 | HR 500 |
| 3700 921 | CRIMP CNCTR-YEL RING M6 | HR 500 |
| 3700 922 | CRIMP CNCTR-YEL RING M8 | HR 500 |
| 3700 923 | CRIMP CNCTR-YEL RING M10 | HR 500 |
| 3700 928 | CRIMP CNCTR-YEL MALE BULLET 5M | HR 500 |
| 3700 929 | CRIMP CNCTR-YEL FEMALE BULLET | HR 500 |
| 3700 932 | CRIMP CNCTR YELLOW SPADE M5 | HR 500 |
| 3700 935 | CRIMP CNCTR-YEL MALE 6,3 | HR 500 |
| 3700 940 | CRIMP CNCTR-YEL BUTT | HR 500 |
| 3700 943 | CRIMP CNCTR-YEL RING M4 | HR 500 |
| 3700 948 | CRIMP CNCTR-YEL 2,7MM | HR 500 |
| 3700 972 | CRIMP CNCTR-YEL SPADE M6 | HR 500 |



Cable Connectors, Uninsulat. for 0.5-1.5 mm² Cable



| Article No. | Article Description | QTY |
|-------------|--------------------------------|-----|
| 3703 700 | UN-INSULATED FEMALE CNCTR 2,8M | 100 |
| 3703 701 | UN-INSULATED FEMALE CNCTR 2,8M | 100 |
| 3703 702 | UN-INSULATED FEMALE CNCTR 4,8M | 100 |
| 3703 704 | UN-INSULATED FEMALE CNCTR 6,3M | 100 |
| 3703 706 | FEMALE CONN.+LUG 0.5-1.0 6.3 | 100 |
| 3703 715 | UN-INSULATED MALE CNCTR 2,8MM | 100 |
| 3703 720 | UN-INSULATED MALE CNCTR 4MM | 100 |
| 3703 757 | ANG.FEM.CNC.SLE.0,5-1,0 2,8MM | 100 |
| 3703 796 | CRIMP CNCTR 0.75-1.0MM | 100 |

Cable Connectors, Uninsulat. for 0.5-2.5 mm² Cable



| Article No. | Article Description | QTY |
|-------------|--------------------------------|-----|
| 3703 703 | UN-INSULATED FEMALE CNCTR 6,3M | 100 |
| 3703 705 | UN-INSULATED FEMALE CNCTR 6,3M | 100 |
| 3703 707 | FEMALE CONN.+LUG 1.5-2.5 6.3 | 100 |
| 3703 716 | UN-INSULATED MALE CNCTR 6,3MM | 100 |
| 3703 717 | UN-INSULATED LNG MALE CNCTR 6, | 100 |
| 3703 721 | CYLINDRICAL PIN 1,5-2,5 4,0MM | 100 |
| 3703 722 | UN-INSULATED MALE CNCTR 5MM | 100 |
| 3703 739 | UN-INSULATED CNCTR 1,5X2,5 M6 | 100 |
| 3703 740 | RING TONGUE 0,5-2,5 M4 | 100 |
| 3703 741 | UN-INSULATED CNCTR RING M5 | 100 |
| 3703 743 | UN-INSULATED CNCTR RING M8 | 100 |
| 3703 755 | ANG.FEM.CNC.SLE.0,5-1,5 6,3MM | 100 |
| 3703 797 | CRIMP CNCTR 1.5-2.5MM | 100 |

Cable Connectors, Insulat. for 0.25-1.5 mm² Cable

- Industrial version
- With short metal crimping sleeve
- For use with double-crimping cable connector clamps Part No. 3790 1

| Article No. | Article Description | QTY |
|-------------|--------------------------------|--------|
| 3709 851 | CR.CNC.RED INS.FEM.6,3 851-IND | HR 500 |
| 3709 855 | CR.CNC.RED PIGGI B.6,3 855-IND | HR 500 |
| 3709 901 | CR.CNC.RED FEMALE 6,3 901-IND | HR 500 |
| 3709 906 | CR.CNC.RED FEMALE 4,8 906-IND | HR 500 |
| 3709 907 | CR.CNC.RED FEMALE 2,8 907-IND | HR 500 |
| 3709 908 | CR.CNC.RED MALE 2,8 908-IND | HR 500 |
| 3709 911 | CR.CONNECT.RED RING M3 911-IND | HR 500 |
| 3709 912 | CR.CONNECT.RED RING M4 912-IND | HR 500 |
| 3709 913 | CR.CONNECT.RED RING M5 913-IND | HR 500 |
| 3709 924 | CR.CNC.RED MALE BUL.4MM924-IND | HR 500 |
| 3709 926 | CR.CNC.RED FEM.BUL.4MM 926-IND | HR 500 |
| 3709 930 | CR.CONNECT.RED M4 SPADE930-IND | HR 500 |
| 3709 933 | CR.CNC.RED RING M6 933-IND | HR 500 |
| 3709 937 | CR.CNC.RED MALE 6,3 937-IND | HR 500 |
| 3709 941 | CR.CNC.RED BUTT 941-IND | HR 500 |
| 3709 947 | CR.CONNECTOR-RED 1,9 947-IND | HR 500 |
| 3709 970 | CR.CONNECT.RED SPADEM5 970-IND | HR 500 |



Cable Connectors, Insulated, for 1.5-2.5 mm² Cable

| Article No. | Article Description | QTY |
|-------------|--------------------------------|--------|
| 3709 852 | CR.CNC.BLUE INS.FEM6,3 852-IND | HR 500 |
| 3709 902 | CR.CNC.BLUE FEMALE 6,3 902-IND | HR 500 |
| 3709 905 | CR.CNC.BLUE PI.BACK6,3 905-IND | HR 500 |
| 3709 915 | CR.CNC.BLUE RING M4 915-IND | HR 500 |
| 3709 916 | CR.CNC.BLUE RING M5 916-IND | HR 500 |
| 3709 917 | CR.CNC.BLUE RING M6 917-IND | HR 500 |
| 3709 918 | CR.CNC.BLUE RING M8 918-IND | HR 500 |
| 3709 919 | CR.CNC.BLUE RING M10 919-IND | HR 500 |
| 3709 925 | CR.CNC.BLUE MALE BUL.5 925-IND | HR 500 |
| 3709 927 | CR.CNC.BLUE FEM.BUL.5MM927-IND | HR 500 |
| 3709 928 | CR.CNC.BLUE MAL.BUL.4MM928-IND | HR 500 |
| 3709 929 | CR.CNC.BLUE FEM.BUL.4MM929-IND | HR 500 |
| 3709 931 | CR.CNC.BLUE SPADEM4 931-IND | HR 500 |
| 3709 934 | CR.CNC.BLUE FEMALE 4,8 934-IND | HR 500 |
| 3709 936 | CR.CNC.BLUE MALE 6,3 936-IND | HR 500 |
| 3709 939 | CR.CNC.BLUE BUTT 939-IND | HR 500 |
| 3709 946 | CR.CNC.BLUE 1,9 946-IND | HR 500 |
| 3709 971 | CR.CNC.BLUE SPADEM5 971-IND | HR 500 |



Cable Connectors, Insulated, for 4.0-6.0 mm² Cable

| Article No. | Article Description | QTY |
|-------------|--------------------------------|--------|
| 3709 900 | CR.CNC.YEL. FEMALE 9,5 900-IND | HR 500 |
| 3709 904 | CR.CNC.YEL. FEMALE 6,3 904-IND | HR 500 |
| 3709 920 | CR.CNC.YEL. RING M5 920-IND | HR 500 |
| 3709 921 | CR.CNC.YEL. RING M6 921-IND | HR 500 |
| 3709 922 | CR.CNC.YEL. RING M8 922-IND | HR 500 |
| 3709 923 | CR.CNC.YEL. RING M10 923-IND | HR 500 |
| 3709 932 | CR.CNC.YEL. SPADEM5 932-IND | HR 500 |
| 3709 935 | CR.CNC.YEL. MALE 6,3 935-IND | HR 500 |
| 3709 940 | CR.CNC.YEL. BUTT 940-IND | HR 500 |
| 3709 943 | CR.CNC.YEL. RING M4 943-IND | HR 500 |
| 3709 948 | CR.CNC.YEL. 2,7 948-IND | HR 500 |
| 3709 972 | CR.CNC.YEL. SPADEM6 972-IND | HR 500 |
| 3709 973 | CR.CNC.YEL. SPADEM4 973-IND | HR 500 |



Snap-on Cable Connectors



| Article No. | Article Description | QTY |
|-------------|------------------------------|-----|
| 3701 957 | CONNECTOR SNAP-ON BLUE 957 | 100 |
| 3701 962 | CONNECTOR SNAP-ON RED 962 | 100 |
| 3701 964 | CONNECTOR SNAP-ON YELLOW 964 | 100 |

| Technical Data | |
|----------------|--------------------------------|
| Article No. | For cable dia. mm ² |
| 3701 962 | 0.5-1.0 |
| 3701 957 | 1.5-2.5 |
| 3701 964 | 4.0-6.0 |

Snap-on Cable Connectors

- Detachable



| Article No. | Article Description | QTY |
|-------------|--------------------------------|-----|
| 3701 975 | CONNECTOR SNAP-ON FEMALE RED | 100 |
| 3701 978 | CONNECTOR SNAP-ON MALE RED | 100 |
| 3701 976 | CONNECTOR PRESS FIX FEMALE BLU | 100 |
| 3701 979 | CONNECTOR SNAP-ON MALE BLUE | 100 |
| 3701 977 | CONNECTOR SNAP-ON FEMALE YEL. | 100 |
| 3701 980 | CONNECTOR SNAP-ON MALE YELLOW | 100 |

| Technical Data | |
|----------------|--------------------------------|
| Article No. | For cable dia. mm ² |
| 3701 975 | 0.5-1.0 |
| 3701 978 | 0.5-1.0 |
| 3701 976 | 1.5-2.5 |
| 3701 979 | 1.5-2.5 |
| 3701 977 | 4.0-6.0 |
| 3701 980 | 4.0-6.0 |

Terminal Strips

- 12-pole screw terminals
- Temperature resistant: -50°C to +60°C



| Article No. | Article Description | QTY |
|-------------|--------------------------------|-----|
| 3706 25 | TERM.CHOC STRIP BL.UP TO2,5QMM | 10 |
| 3706 6 | TERM.CHOC STRIP BL.UP TO 6QMM | 10 |
| 3706 10 | TERM.CHOC STRIP BL.UP TO10 QMM | 10 |
| 3706 16 | TERM.CHOC STRIP BL.UP TO16 QMM | 10 |
| 3706 25 2 | TERM.CHOC STRIP WH.UP TO2.5QMM | 10 |
| 3706 6 2 | TERM.CHOC STRIP WHIT.UP TO6QMM | 10 |
| 3706 10 2 | TERM.CHOC STRIP WHI.UP TO10QMM | 10 |
| 3706 16 2 | TERM.CHOC STRIP WHI.UP TO16QMM | 10 |

| Technical Data | | |
|----------------|-------------------|-----------------------------------|
| Article No. | Dimensions mm | For cable dia. to mm ² |
| 3706 2 5 | 15 x 93 x 12 | 2,5 |
| 3706 6 | 18 x 106 x 14 | 6 |
| 3706 10 | 21 x 135 x 18 | 10 |
| 3706 16 | 24.5 x 155 x 22.5 | 16 |
| 3706 25 2 | 16 x 96 x 14 | 2.5 |
| 3706 6 2 | 20 x 117 x 17 | 6 |
| 3706 10 2 | 24 x 140 x 20 | 10 |
| 3706 16 2 | 25 x 158 x 25 | 16 |

Plug-in Terminal Mini

Screwless and compact plug-in terminals for safe connection in tight spaces

- For massive copper conductor from 0.5 mm² - 1.5 mm²
- With testing slot
- Temperature resistant from -30°C to +105°C
- No plugging through of blank conductors possible
- Very compact and space-saving design
- VDE: 24A, 450V
- Material: self-extinguishing according to UL 94V-2

| Article No. | Article Description | QTY |
|-------------|--------------------------------------------|-----|
| 8450 3 3 | PLUG-IN MINI 0,5-1,5MM ² 3-POLE | 100 |
| 8450 3 5 | PLUG-IN MINI 0,5-1,5MM ² 5-POLE | 100 |
| 8450 3 8 | PLUG-IN MINI 0,5-1,5MM ² 8-POLE | 50 |



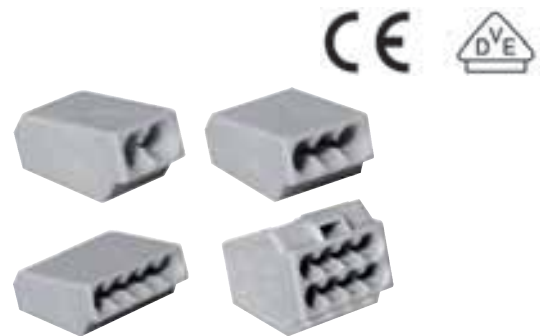
| Technical Data | | |
|----------------|--------------------------------|-------------------|
| Connections | Clamping range mm ² | H x W x D mm |
| 3 | 0.5 - 1.5 | 8.4 x 11.1 x 18.2 |
| 5 | 0.5 - 1.5 | 8.4 x 17.2 x 18.2 |
| 8 | 0.5 - 1.5 | 8.4 x 26.1 x 18.2 |

Plug-in Terminal, Grey

Screwless plug-in terminal for safe connection

- For massive copper conductor from 1.0 mm² - 2.5 mm²
- With testing slot
- Temperature resistant from -30°C to +110°C
- No plugging through of blank conductors possible
- Space-saving compact design
- VDE: 24A, 450V
- Material: self-extinguishing according to UL94V-2

| Article No. | Article Description | QTY |
|-------------|--------------------------------------------|-----|
| 8450 1 2 | PLUG-IN GREY 1.0-2.5MM ² 2-POLE | 100 |
| 8450 1 3 | PLUG-IN GREY 1.0-2.5MM ² 3-POLE | 100 |
| 8450 1 5 | PLUG-IN GREY 1.0-2.5MM ² 5-POLE | 100 |
| 8450 1 8 | PLUG-IN GREY 1.0-2.5MM ² 8-POLE | 50 |



| Technical Data | | |
|----------------|--------------------------------|--------------------|
| Connections | Clamping range mm ² | H x W x D mm |
| 2 | 1.0 - 2.5 | 9.5 x 10.5 x 19.5 |
| 3 | 1.0 - 2.5 | 9.5 x 13.5 x 19.7 |
| 5 | 1.0 - 2.5 | 9.5 x 21.1 x 19.7 |
| 8 | 1.0 - 2.5 | 16.8 x 17.5 x 19.0 |

Plug-in Terminal, Transparent

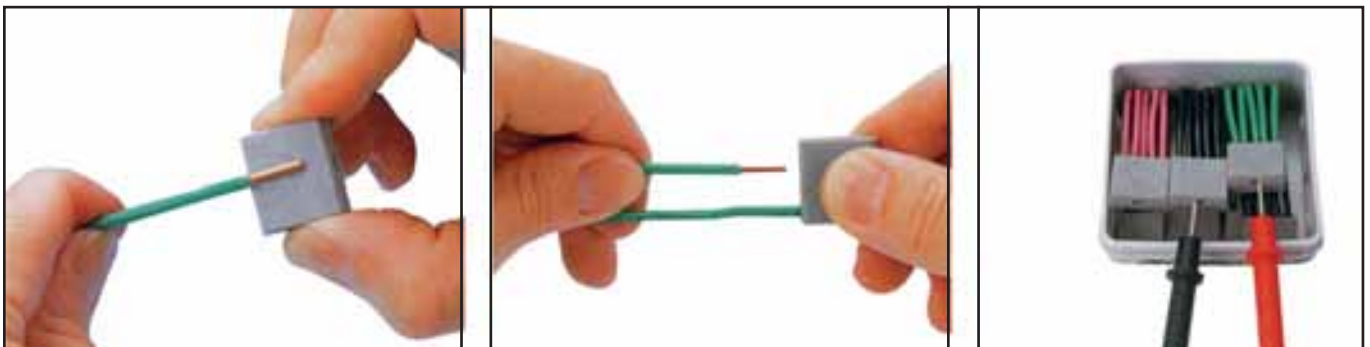
Screwless plug-in terminal for safe connection and optical control of plug connectors

- For massive copper conductor from 1.0 mm² - 2.5 mm²
- With testing slot
- Temperature resistant from -30°C to +105°C
- No plugging through of blank conductors possible
- Space-saving compact design
- VDE: 24A, 450V,
- Material: self-extinguishing according to UL94V-2



| Article No. | Article Description | QTY |
|-------------|--------------------------------------------|-----|
| 8450 2 2 | PLUG-IN 1.0-2.5MM ² TRANSP.2-PO | 100 |
| 8450 2 3 | PLUG-IN 1.0-2.5MM ² TRANSP.3-PO | 100 |
| 8450 2 5 | PLUG-IN 1.0-2.5MM ² TRANSP.5-PO | 100 |
| 8450 2 8 | PLUG-IN 1.0-2.5MM ² TRANSP.8-PO | 50 |

| Technical Data | | |
|----------------|--------------------------------|--------------------|
| Connections | Clamping range mm ² | H x W x D mm |
| 2 | 1.0 - 2.5 | 9.5 x 10.5 x 19.5 |
| 3 | 1.0 - 2.5 | 9.5 x 13.5 x 19.7 |
| 5 | 1.0 - 2.5 | 9.5 x 21.1 x 19.7 |
| 8 | 1.0 - 2.5 | 16.8 x 17.5 x 19.0 |



Connecting Terminal



Connecting clamp with lever-operated CAGE CLAMP®-connection for flexible and rigid conduits

- For stripped finely stranded conductors from 0.08 mm² to 4 mm² and single or multiple wired conductors up to 2.5 mm²
- With operated-lever - individually releasable conductor
- Insulating housing with testing slot
- Max. operating temperature 85°C
- Nominal current 32A, nominal voltage 400V



| Article No. | Article Description | QTY |
|-------------|-----------------------------|-----|
| 8450 4 2 | CONNECT.TERM.RELEASE.2-POLE | 100 |
| 8450 4 3 | CONNECT.TERM.RELEASE.3-POLE | 100 |
| 8450 4 5 | CONNECT.TERM.RELEASE.5-POLE | 100 |

| Technical Data | | |
|----------------|-------------|--------------------|
| Art. No. | Connections | HxWxD mm |
| 8450 4 2 | 2 | 14.5 x 12.4 x 20.5 |
| 8450 4 3 | 3 | 14.5 x 17.0 x 20.5 |
| 8450 4 5 | 5 | 14.5 x 26.6 x 20.5 |



Luster Terminal

- Side 1 for massive conductor
 - Side 2 for finely-wired conductor (flexible)
 - Separate testing slot
 - Temperature resistant from -30°C to +105°C
 - Compact and space-saving design
 - VDE: 24A, 450V, -30 to +105°C, 2.5 mm² sol
 - Material: self-extinguishing according to UL 94V-2
- Note:** 2-pole version enables looping through of rigid conductors



| Article No. | Article Description | QTY |
|-------------|------------------------|-----|
| 8452 1 | LUSTER TERMINAL 1-POLE | 100 |
| 8452 2 | LUSTER TERMINAL 2-POLE | 100 |

| Technical Data | | |
|----------------|--------|--------------------------------|
| Art. No. | Colour | Clamping range mm ² |
| 8452 1 | grey | 2.5 mm ² |
| 8452 2 | white | 2.5 mm ² |

Socket for the Construction Site E 27

- Safe and fast mounting with high economy of time
- Wired ready for connection
- 3-part ISO socket E 27
- 200 mm connecting cable
- With strain relief and suspension
- **Standard:** with luster terminals
- **Profi:** with lamp terminals

| Article No. | Article Description | QTY |
|-------------|---------------------|-----|
| 8489 1 | SOCKET E27 STANDARD | 10 |
| 8489 2 | SOCKET E27 PROFİ | 10 |



Flat Plug Connector Strips



| Article No. | Article Description | QTY |
|-------------|-------------------------------|-------|
| 3707 1 | PLUG CONNECTOR STRIPS 12-POLE | z 100 |
| 3707 2 | PLUG CONNECTOR STRIPS 10-POLE | z 100 |

| Technical Data | | |
|----------------|--------------|----------|
| Article No. | Connector mm | Size mm |
| 3707 1 | 6.3 | 120x28x7 |
| 3707 2 | 6.3 | 120x28x7 |

Flat Multi Connectors



| Article No. | Article Description | QTY |
|-------------|-------------------------------|-------|
| 3707 3 | FLAT MULTI CONNECTORS 3X6,3MM | g 100 |
| 3707 4 | FLAT MULTI CONNECTORS 4X6,3MM | g 100 |

Speaker Cable with Plug



| Article No. | Article Description | QTY |
|-------------|--------------------------------|-----|
| 3708 1 | TWIN SPEAKER CABLE & CNCTR 300 | 10 |

Electronic Plugs



| Article No. | Article Description | QTY |
|-------------|----------------------------|-----|
| 3704 631 | ELECTRONIC PLUG GM/VAG 631 | 100 |
| 3704 632 | ELECTRONIC PLUG VAG 632 | 100 |
| 3704 633 | ELECTRONIC PLUG DB 633 | 100 |
| 3704 634 | ELECTRONIC PLUG BOSCH 634 | 100 |
| 3704 636 | ELECTRONIC PLUG BMW 636 | 100 |
| 3704 638 | ELECTRONIC PLUG BMW/DB 638 | 100 |
| 3704 639 | ELECTRONIC PLUG 639 | 100 |

| Technical Data | | |
|---------------------------|-----------------------------|---------------------------|
| for cable mm ² | Measurement mm ² | Material |
| 0,5-1,0 | 1,7 | Brass tin plated |
| 1,0-2,5 | 2,1 | Tin bronze, silver plated |
| 0,5-2,1 | 2,1 | Brass tin, tin plated |
| 0,5-1,0 | 1,7 | Tin bronz tin plated |
| 2,1-5,3 | 3,5 | Brass, silver plated |
| 2,1-5,3 | 3,5 | Copper, silver plated |
| 0,5-2,1 | 3,5 | Brass tin, tin plated |
| 0,5-2,5 | 3,5 | Copper, silver plated |

Electronic Plugs



| Article No. | Article Description | QTY |
|-------------|---------------------|-----|
| 3704 640 | ELECTRONIC PLUG 640 | 100 |
| 3704 641 | ELECTRONIC PLUG 641 | 100 |
| 3704 643 | ELECTRONIC PLUG 643 | 100 |
| 3704 646 | ELECTRONIC PLUG 646 | 100 |
| 3704 647 | ELECTRONIC PLUG 647 | 100 |
| 3704 648 | ELECTRONIC PLUG 648 | 100 |
| 3704 649 | ELECTRONIC PLUG 649 | 100 |
| 3704 679 | ELECTRONIC PLUG 679 | 100 |

| Technical Data | | |
|---------------------------|---------------------------|---------------------------|
| For cable mm ² | Dimension mm ² | Material |
| 1.0-2.5 | 2.1 | Tin bronze, silver-plated |
| 0.5-2.1 | 2.1 | Brass, tin-plated |
| 0.75-1.5 | 1.5 | Brass, tin-plated |
| 0.5-1.0 | 1.5 | Brass, tin-plated |
| 2.1-5.3 | 3.5 | Copper, silver-plated |
| 0.5-2.5 | 3.5 | Tin bronze, tin-plated |
| 0.5-2.1 | 3.5 | Copper, silver-plated |
| 1.5-2.5 | 1.6 | Bronze, tin-plated |

Electronic Plugs



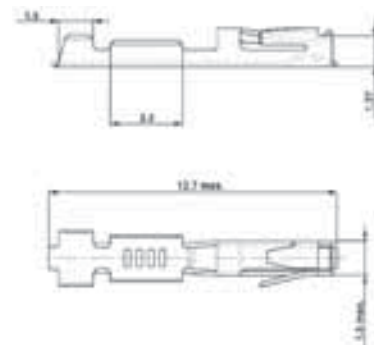
| Article No. | Article Description | QTY |
|-------------|---------------------|-----|
| 3704 650 | ELECTRONIC PLUG 650 | 100 |
| 3704 652 | ELECTRONIC PLUG 652 | 100 |
| 3704 653 | ELECTRONIC PLUG 653 | 100 |
| 3704 655 | ELECTRONIC PLUG 655 | 100 |

| Technical Data | |
|---------------------------|------------------------|
| For cable mm ² | Material |
| 0.5-1.0 | Tin bronze, tin-plated |
| 0.5-1.5 | Tin bronze, tin-plated |
| 1.0-2.5 | Tin bronze, tin-plated |
| 0.5-1.0 | Brass, tin-plated |

Electronic Plug 675

Technical Data

Designation: Tandem spring
For cable mm²: 0.2 - 0.5
Material: CuSn6 tinned

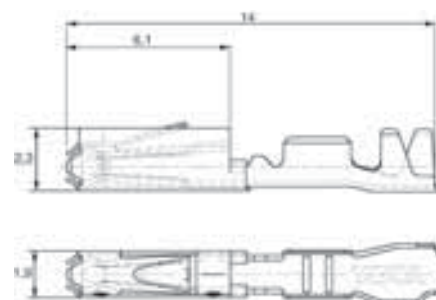


| Article No. | Article Description | QTY |
|-------------|---------------------|-----|
| 3704 675 | ELECTRONIC PLUG 675 | 100 |

Electronic Plug 677

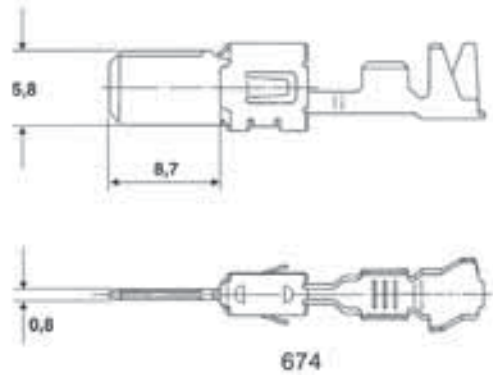
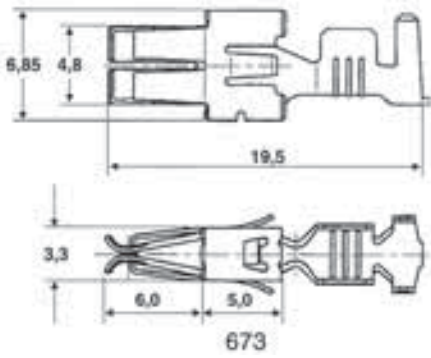
Technical Data

Designation: Micro Power
For cable mm²: 0.25 - 0.5
Material: CuNiSi tinned



| Article No. | Article Description | QTY |
|-------------|---------------------|-----|
| 3704 677 | ELECTRONIC PLUG 677 | 100 |

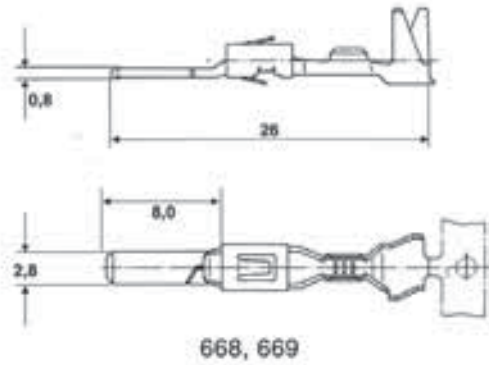
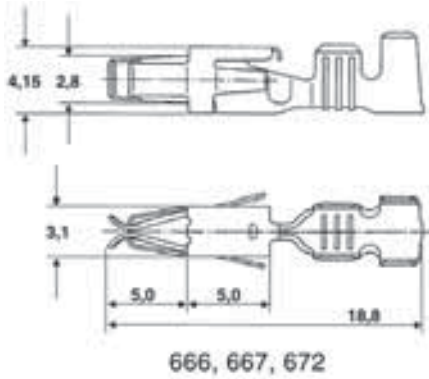
Electronic Plug VW 4.8mm



| Article No. | Article Description | QTY |
|-------------|---------------------|-----|
| 3704 673 | ELECTRONIC PLUG 673 | 100 |
| 3704 674 | ELECTRONIC PLUG 674 | 100 |

| Technical Data | | |
|--------------------------------|---------------------------|-------------------|
| Designation | For cable mm ² | Material |
| Standard-Power-Timer 4.8 mm | 1.5 - 2.5 | CuFe2, tin-plated |
| Flat connector 4.8 mm x 0.8 mm | 1.5 - 2.5 | CuFe2, tin-plated |

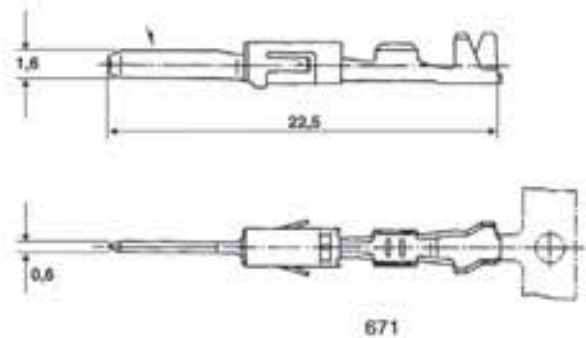
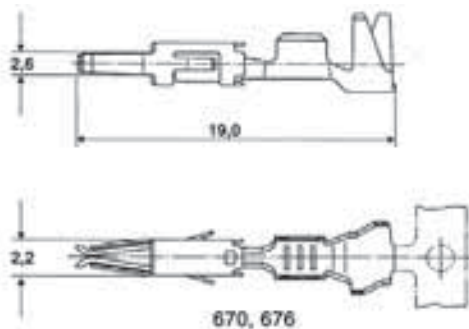
Electronic Plug VW 2.8 mm



| Article No. | Article Description | QTY |
|-------------|---------------------|-----|
| 3704 666 | ELECTRONIC PLUG 666 | 100 |
| 3704 667 | ELECTRONIC PLUG 667 | 100 |
| 3704 672 | ELECTRONIC PLUG 672 | 100 |
| 3704 668 | ELECTRONIC PLUG 668 | 100 |
| 3704 669 | ELECTRONIC PLUG 669 | 100 |

| Technical Data | | |
|--------------------------------|---------------------------|------------------------------|
| Designation | For cable mm ² | Material |
| Junior power timer 2.8 mm | 0.5 - 1.0 | CuSn4, tin-plated |
| Junior power timer 2.8 mm | 1.5 - 2.5 | CuSn4, tin-plated |
| Junior power timer 2.8 mm | 1.5 - 2.5 | CuSn4, contact silver-plated |
| Flat connector 2.8 mm x 0.8 mm | 0.5 - 1.0 | CuSn4, tin-plated |
| Flat connector 2.8 mm x 0.8 mm | 1.5 - 2.5 | CuSn4, tin-plated |

Electronic Plug VW 1.6 mm



| Article No. | Article Description | QTY |
|-------------|---------------------|-----|
| 3704 670 | ELECTRONIC PLUG 670 | 100 |
| 3704 671 | ELECTRONIC PLUG 671 | 100 |
| 3704 676 | ELECTRONIC PLUG 676 | 100 |

| Technical Data | | |
|--------------------------------|---------------------------|-------------------|
| Designation | For cable mm ² | Material |
| Micro timer II 1.6 mm | 0.5 - 1.0 | CuSn4, tin-plated |
| Flat connector 1.6 mm x 0.6 mm | 0.5 - 1.0 | CuSn4, tin-plated |
| Micro timer II 1.6 mm | 0.3 - 0.6 | CuSn4, tin-plated |

Heat-Shrink Y-Branch Connector

- For dust-proof and moisture-proof branch connectors from one to two cables of the same cable cross-section
- With integrated adhesive
- Material: tin-plated copper
- Temperature range: -55°C to 110°C
- Shrinking temperature: 121°C
- Dielectric strength: 500 V

Application:

- Insert stripped cable into Y-shaped branch connector. Make a crimp using a crimping tool.
- Heat up shrinking hose with heat sources e.g. lighter, hot airflow etc. until adhesive flows into the cavities.



Technical Data

| Art. No. | For cable mm ² | Length in mm |
|----------|---------------------------|--------------|
| 3702 600 | 0.35-0.5 | 44 |
| 3702 601 | 0.75-1.0 | 49 |
| 3702 602 | 1.5-2.5 | 54 |
| 3702 603 | 4.0 | 60 |

| Article No. | Article Description | QTY |
|-------------|--------------------------------|-------|
| 3702 600 | HS-Y-BRANCH CNCTR WHITE-RED600 | g 100 |
| 3702 601 | HS-Y-BRANCH CNCTR RED-BLUE 601 | g 100 |
| 3702 602 | HS-Y-BRANCH CNCTR BLUE-YEL.602 | g 50 |
| 3702 603 | HS-Y-BRANCH CNCTR YELL.RED 603 | 25 |

Heat Shrink Cable Terminals and Connectors

- For dust-proof and moisture-proof cable connections with one cable
- With integrated adhesive
- Temperature range: -55°C to 125°C
- Shrinking temperature: 180°C
- Dielectric strength: 2.5 kV
- Operating voltage: max. 600 Volt

Application:

- Insert stripped cable into branch connector. Make a crimp using a crimping tool.
- Heat up shrinking hose with heat sources e.g. lighter, hot airflow etc. until adhesive flows into the cavities



| Article No. | Article Description | QTY |
|-------------|----------------------------------|-------|
| 3702 812 | H SRNK RING TERMINAL RED M4 | f 100 |
| 3702 813 | H SRNK RING TERMINAL RED M5 | f 100 |
| 3702 833 | H SRNK RING TERMINAL RED M6 | f 100 |
| 3702 816 | H SRNK RING TERMINAL BLUE M5 | f 100 |
| 3702 817 | H SRNK RING TERMINAL BLUE M6 | f 100 |
| 3702 818 | H SRNK RING TERMINAL BLUE M8 | f 100 |
| 3702 821 | H SRNK RING TERMINAL YELLOW M6 | f 100 |
| 3702 822 | H SRNK RING TERMINAL YELLOW M8 | f 100 |
| 3702 823 | H SRNK RING TERMINAL YELLOW M10 | f 100 |
| 3702 830 | H SRNK RING TERMINAL RED M4 | f 100 |
| 3702 871 | H SRNK RING TERMINAL BLUE M5 | f 100 |
| 3702 801 | H SRNK QK CONN.FEMALE RED 6.3 | f 100 |
| 3702 802 | H SRNK QK CONN.FEMALE BLUE 6.3 | f 100 |
| 3702 837 | H SRNK QK CONN.MALE RED 6.3 | f 100 |
| 3702 836 | H SRNK QK CONN.MALE BLUE 6.3 | f 100 |
| 3702 841 | H SRNK BUTT CONNECT.RED | f 100 |
| 3702 839 | H SRNK BUTT CONNECT.BLUE | f 100 |
| 3702 840 | H SRNK BUTT CONNECT.YELLOW | f 100 |
| 3702 842 | H SRNK BUTT CONNNECT.TRANSPARENT | f 100 |

| Technical Data | | | |
|----------------|--------------|---------------------------|--------------|
| Art. No. | Dimension | For cable mm ² | Length in mm |
| 3702 812 | Ring-Ø 4 mm | 0.5-1.5 | 28 |
| 3702 813 | Ring-Ø 5 mm | 0.5-1.5 | 31 |
| 3702 833 | Ring-Ø 6 mm | 0.5-1.5 | 31 |
| 3702 816 | Ring-Ø 5 mm | 1.5-2.5 | 32 |
| 3702 817 | Ring-Ø 6 mm | 1.5-2.5 | 34 |
| 3702 818 | Ring-Ø 8 mm | 1.5-2.5 | 38 |
| 3702 821 | Ring-Ø 6 mm | 4-6 | 37 |
| 3702 822 | Ring-Ø 8 mm | 4-6 | 42 |
| 3702 823 | Ring-Ø 10 mm | 4-6 | 45 |
| 3702 830 | Fork-Ø 4mm | 0.5-1.5 | 29 |
| 3702 871 | Fork-Ø 5 mm | 1.5-2.5 | 33 |
| 3702 801 | 6,3 x 0,8 mm | 0.5-1.5 | 28 |
| 3702 802 | 6,3 x 0,8 mm | 1.5-2.5 | 30 |
| 3702 837 | 6,3 x 0,8 mm | 0.5-1.5 | 27 |
| 3702 836 | 6,3 x 0,8 mm | 1.5-2.5 | 28 |
| 3702 841 | | 0.5-1.5 | 32 |
| 3702 839 | | 1.5-2.5 | 32 |
| 3702 840 | | 4.0-6.0 | 38 |
| 3702 842 | | 0.1-0.5 | 31 |

Heat-Shrink Solder and Butt Connector

- For dust-proof and moisture-proof solder-butt connections with one cable
- With integrated adhesive
- Electric solder in middle ring provides for reliable solder connection of cable ends
- Heat-shrink plastic sleeve adapts optimally to cable width
- Adhesive rings at end of butt connectors for anti-pull off connections
- Temperature range: -55°C to 125°C
- Shrinking temperature: 180°C

Art. No. 3702 538:

- Without adhesive rings



| Article No. | Article Description | QTY |
|-------------|--------------------------------|-------|
| 3702 538 | HS-SOLD.BUTT CNCTR TRANSP. 538 | f 100 |
| 3702 541 | HS-SOLD.BUTT CNCTR RED 541 | f 100 |
| 3702 539 | HS-SOLD.BUTT CNCTR BLUE 539 | f 100 |
| 3702 540 | HS-SOLD.BUTT CNCTR YELLOW 540 | f 100 |

| Technical Data | | |
|----------------|---------------------------|--------------|
| Art. No. | For cable mm ² | Length in mm |
| 3702 538 | 0.1-0.5 | 24 |
| 3702 541 | 0.5-1.0 | 40 |
| 3702 539 | 1.5-2.5 | 39 |
| 3702 540 | 4.0-6.0 | 39 |

Heat-Shrink End Connector

- For dust-proof and moisture-proof end connection of several cables
- With integrated adhesive
- Temperature range: -55°C to 125°C
- Shrinking temperature: 180°C
- Dielectric strength: 2.0 kV
- Operating voltage: max. 600 Volt



| Article No. | Article Description | QTY |
|-------------|-----------------------------|------|
| 3702 400 | HS END CONNECTOR GREEN 400 | g 50 |
| 3702 401 | HS END CONNECTOR RED 401 | g 50 |
| 3702 402 | HS END CONNECTOR BLUE 402 | g 50 |
| 3702 403 | HS END CONNECTOR YELLOW 403 | g 50 |

| Technical Data | | |
|----------------|---------------------------|--------------|
| Art. No. | For cable mm ² | Length in mm |
| 3702 400 | max. 4.0 | 38 |
| 3702 401 | max. 4.5 | 38 |
| 3702 402 | max. 7.0 | 45 |
| 3702 403 | max. 9.5 | 46 |

Solder Ring Terminals DIN 46211 Shape A



| Article No. | Article Description | QTY |
|-------------|----------------------------|-------|
| 3705 780 | SOLDER RING TERM.10-16 M6 | g 100 |
| 3705 781 | SOLDER RING TERM.10-16 M8 | g 100 |
| 3705 782 | SOLDER RING TERM.10-16 M10 | g 100 |
| 3705 783 | SOLDER RING TERM.10-16 M12 | g 100 |
| 3705 784 | SOLDER RING TERM.16-25 M 8 | g 100 |
| 3705 785 | SOLDER RING TERM.16-25 M10 | g 100 |
| 3705 786 | SOLDER RING TERM.16-25 M12 | g 100 |
| 3705 787 | SOLDER RING TERM.25-35 M8 | g 100 |
| 3705 788 | SOLDER RING TERM.25-35 M10 | g 100 |
| 3705 789 | SOLDER RING TERM.25-35 M12 | g 100 |
| 3705 790 | SOLDER RING TERM.35-50 M8 | g 100 |
| 3705 791 | SOLDER RING TERM.35-50 M10 | g 100 |
| 3705 792 | SOLDER RING TERM.35-50 M12 | g 100 |

| Technical Data | |
|----------------|------------------|
| Art. No. | Cable entry Ø mm |
| 3705 780 | 5.4 |
| 3705 781 | 5.4 |
| 3705 782 | 5.4 |
| 3705 783 | 5.4 |
| 3705 784 | 6.8 |
| 3705 785 | 6.8 |
| 3705 786 | 6.8 |
| 3705 787 | 8.2 |
| 3705 788 | 8.2 |
| 3705 789 | 8.2 |
| 3705 790 | 9.5 |
| 3705 791 | 9.5 |
| 3705 792 | 9.5 |

(For cable mm² / for screws)

Pipe Cable Lugs with Sight Opening



| Article No. | Article Description | QTY |
|--------------|---------------------------|-----|
| 3705 8 10 6 | PIPE CABLE LUGS 10 M 6 | 10 |
| 3705 8 10 8 | PIPE CABLE LUGS 10 M 8 | 10 |
| 3705 8 16 6 | PIPE CABLE LUGS 16 M6 | 10 |
| 3705 8 16 8 | PIPE CABLE LUGS 16 M8 | 10 |
| 3705 8 25 6 | PIPE CABLE LUGS 25 M6 | 10 |
| 3705 8 25 8 | PIPE CABLE LUGS 25 M8 | 10 |
| 3705 8 25 10 | PIPE CABLE LUGS 25 M10 | 10 |
| 3705 8 35 8 | PIPE CABLE LUGS 35 M8 | 10 |
| 3705 8 35 10 | PIPE CABLE LUGS 35 M10 | 10 |
| 3705 8 50 8 | PIPE CABLE LUGS 50 M8 | 10 |
| 3705 8 50 10 | PIPE CABLE LUGS 50 M10 | 10 |
| 3705 8 50 12 | PIPE CABLE LUGS 50 M12 | 10 |
| 3705 8 70 10 | PIPE CABLE LUGS 60-70 M10 | 10 |
| 3705 8 70 12 | PIPE CABLE LUGS 60-70 M12 | 10 |
| 3705 8 95 12 | PIPE CABLE LUGS 75-95 M12 | 10 |

(For cables mm² / for screws)

Technical Data

| Art. No. | Cable inside Ø mm | Cable outside Ø mm |
|--------------|-------------------|--------------------|
| 3705 8 10 6 | 4.5 | 7.4 |
| 3705 8 10 8 | 4.5 | 7.4 |
| 3705 8 16 6 | 5.5 | 8.1 |
| 3705 8 16 8 | 5.5 | 8.1 |
| 3705 8 25 6 | 7.0 | 9.8 |
| 3705 8 25 8 | 7.0 | 9.8 |
| 3705 8 25 10 | 7.0 | 9.8 |
| 3705 8 35 8 | 8.2 | 11.8 |
| 3705 8 35 10 | 8.2 | 11.8 |
| 3705 8 50 8 | 10.0 | 13.0 |
| 3705 8 50 10 | 10.0 | 13.0 |
| 3705 8 50 12 | 10.0 | 13.0 |
| 3705 8 70 10 | 11.5 | 15.5 |
| 3705 8 70 12 | 11.5 | 15.5 |
| 3705 8 95 12 | 13.5 | 17.7 |

Crimping Tool for Cable Lugs

Art. No. 3705 6 50:

- For 6 - 50 mm²

Art. No. 3705 10 120:

- For 10 - 120 mm²

| Article No. | Article Description | QTY |
|-------------|------------------------------|-----|
| 3705 6 50 | CRIMPING TOOL K05 6-50QMM | 1 |
| 3705 10 120 | CRIMPING TOOL K06 10-120 QMM | 1 |



Compression Terminals

- With sight opening
- Material E-CU Rohr in compliance with DIN 40500
- Surface galvanized
- Heat resistance max. + 120°C

| Article No. | Article Description | QTY |
|--------------|------------------------------|-----|
| 3705 9 10 6 | COMPRESSION TERMINAL 10 M6 | 10 |
| 3705 9 10 8 | COMPRESSION TERMINAL 10 M8 | 10 |
| 3705 9 16 6 | COMPRESSION TERMINAL 16 M6 | 10 |
| 3705 9 16 8 | COMPRESSION TERMINAL 16 M8 | 10 |
| 3705 9 25 6 | COMPRESSION TERMINAL 25 M6 | 10 |
| 3705 9 25 8 | COMPRESSION TERMINAL 25 M8 | 10 |
| 3705 9 25 10 | COMPRESSION TERMINAL 25 M10 | 10 |
| 3705 9 35 8 | COMPRESSION TERMINAL 35 M8 | 10 |
| 3705 9 35 10 | COMPRESSION TERMINAL 35 M10 | 10 |
| 3705 9 50 8 | COMPRESSION TERMINAL 50 M8 | 10 |
| 3705 9 50 10 | COMPRESSION TERMINAL 50 M10 | 10 |
| 3705 9 50 12 | COMPRESSION TERMINAL 50 M12 | 10 |
| 3705 9 70 10 | COMPRESSION CABLE LUG 50 M12 | 10 |
| 3705 9 70 12 | COMPRESSION CABLE LUG 50 M12 | 10 |
| 3705 9 95 12 | COMPRESSION CABLE LUG 50 M12 | 10 |

(For cables mm² / for screws)



Technical Data

| Art. No. | Cable inside Ø mm | Cable outside Ø mm |
|--------------|-------------------|--------------------|
| 3705 9 10 6 | 4.5 | 7.4 |
| 3705 9 10 8 | 4.5 | 7.4 |
| 3705 9 16 6 | 5.5 | 8.9 |
| 3705 9 16 8 | 5.5 | 8.9 |
| 3705 9 25 6 | 7.0 | 10.4 |
| 3705 9 25 8 | 7.0 | 10.4 |
| 3705 9 25 10 | 7.0 | 10.4 |
| 3705 9 35 8 | 8.2 | 12.4 |
| 3705 9 35 10 | 8.2 | 12.4 |
| 3705 9 50 8 | 10.0 | 14.4 |
| 3705 9 50 10 | 10.0 | 14.4 |
| 3705 9 50 12 | 10.0 | 14.4 |
| 3705 9 70 10 | 11.5 | 16.9 |
| 3705 9 70 12 | 11.5 | 16.9 |
| 3705 9 95 12 | 13.5 | 18.4 |

Crimping Tool for Compression Terminals

Art. No. 3705 6 50 1:

- For 6 - 50 mm²

Art. No. 3705 10 120 1:

- For 10 - 120 mm²

| Article No. | Article Description | QTY |
|---------------|-------------------------------|-----|
| 3705 6 50 1 | CRIMPING TOOL K05D 6-50 QMM | 1 |
| 3705 10 120 1 | CRIMPING TOOL K06D 10-120 QMM | 1 |



Multicore Cable End, Insulated DIN

- Material: E-Cu galvanized
- Polyamide 6.0 leading-in funnel - Heat resistant up to +110°C
- For conductors from 0.5 to 50 mm²



| Article No. | Article Description | QTY |
|-------------|----------------------------|-------|
| 3713 05 115 | CBL END SLEEVE 0.5K WHITE | H 500 |
| 3713 05 135 | CBL END SLEEVE 0.5N WHITE | H 500 |
| 3713 05 155 | CBL END SLEEVE 0.5HL WHITE | H 500 |
| 3713 075 12 | CBL END SLEEVE 0.75K GREY | H 500 |
| 3713 075 14 | CBL END SLEEVE 0.75N GREY | H 500 |
| 3713 075 16 | CBL END SLEEVE 0.75HL GREY | H 500 |
| 3713 075 18 | CBL END SLEEVE 0.75L GREY | H 500 |
| 3713 1 12 | CBL END SLEEVE 1K RED | H 500 |
| 3713 1 14 | CBL END SLEEVE 1N RED | H 500 |
| 3713 1 16 | CBL END SLEEVE 1HL RED | H 500 |
| 3713 1 18 | CBL END SLEEVE 1L RED | H 500 |
| 3713 15 14 | CBL END SLEEVE 1.5N BLACK | H 500 |
| 3713 15 16 | CBL END SLEEVE 1.5HL BLACK | H 500 |
| 3713 15 24 | CBL END SLEEVE 1.5L BLACK | H 500 |
| 3713 25 15 | CBL END SLEEVE 2.5N BLUE | H 500 |
| 3713 25 19 | CBL END SLEEVE 2.5HL BLUE | H 500 |
| 3713 25 25 | CBL END SLEEVE 2.5L BLUE | H 500 |
| 3713 4 168 | CBL END SLEEVE 4N GREY | H 500 |
| 3713 4 198 | CBL END SLEEVE 4HL GREY | H 500 |
| 3713 6 20 | CBL END SLEEVE 6N YELLOW | 100 |
| 3713 10 21 | CBL END SLEEVE 10N RED | 100 |
| 3713 10 27 | CBL END SLEEVE 10L RED | 100 |
| 3713 16 23 | CBL END SLEEVE 16N BLUE | 100 |
| 3713 16 29 | CBL END SLEEVE 16L BLUE | 100 |
| 3713 25 29 | CBL END SLEEVE 25N YELLOW | 50 |
| 3713 25 35 | CBL END SLEEVE 25L YELLOW | 50 |
| 3713 35 30 | CBL END SLEEVE 35N RED | 50 |
| 3713 35 39 | CBL END SLEEVE 35L RED | 50 |
| 3713 50 36 | CBL END SLEEVE 50N BLUE | 50 |
| 3713 50 41 | CBL END SLEEVE 50L BLUE | 50 |

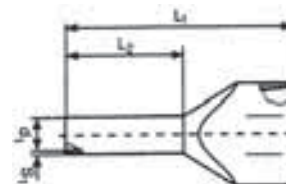
Technical Data

| Rating width mm ² | Type | Length L1 mm | Length L2 mm | D1 mm |
|---------------------------------|------|-----------------|-----------------|----------|
| 0,5 | K | 11,5 | 6 | 1,4 |
| 0,5 | N | 13,5 | 8 | 1,4 |
| 0,5 | HL | 15,5 | 10 | 1,4 |
| 0,75 | K | 12 | 6 | 1,6 |
| 0,75 | N | 14 | 8 | 1,6 |
| 0,75 | HL | 16 | 10 | 1,6 |
| 0,75 | L | 18 | 12 | 1,6 |
| 1 | K | 12 | 6 | 1,8 |
| 1 | N | 14 | 8 | 1,8 |
| 1 | HL | 16 | 10 | 1,8 |
| 1 | L | 18 | 12 | 1,8 |
| 1,5 | N | 14 | 8 | 2,1 |
| 1,5 | HL | 16 | 10 | 2,1 |
| 1,5 | L | 24 | 18 | 2,1 |
| 2,5 | N | 15 | 8 | 2,5 |
| 2,5 | HL | 19 | 12 | 2,5 |
| 2,5 | L | 25 | 18 | 2,5 |
| 4 | N | 16,8 | 9,5 | 3,2 |
| 4 | HL | 19,8 | 12 | 3,2 |
| 6 | N | 20 | 12 | 3,9 |
| 10 | N | 21 | 12 | 5 |
| 10 | L | 27 | 18 | 5 |
| 16 | N | 23 | 12 | 6,2 |
| 16 | L | 29 | 18 | 6,2 |
| 25 | N | 29 | 16 | 7,7 |
| 25 | L | 35 | 22 | 7,7 |
| 35 | N | 30 | 16 | 8,9 |
| 35 | L | 39 | 25 | 8,9 |
| 50 | N | 36 | 20 | 11 |
| 50 | L | 41 | 25 | 11 |

Version: Type K = Short, Type N = Standard, HL = Half long, L = Long
N = Most common dimension

Multicore Cable End for Two Conductors

- Leading-in funnel made of polypropylene
- Heat-resistant up to 110°C
- Material: Electrolytic copper
- Surface: galvanized
- Two conductors can easily be inserted



| Article No. | Article Description | QTY |
|-------------|-------------------------------|-----|
| 3717 05 | TWN CBL END SLEEVE 0.5N WHITE | 100 |
| 3717 075 | TWN CBL END SLEEVE 0.75 GREY | 100 |
| 3717 1 | TWN CBL END SLEEVE 1.0N RED | 100 |
| 3717 15 | TWN CBL END SLEEVE 1.5N BLACK | 100 |
| 3717 25 | TWN CBL END SLEEVE 2.5N BLUE | 100 |

Technical Data

| Cross section in mm ² | Colour | L1 | L2 |
|----------------------------------|--------|------|------|
| 2 x 0.5 N | white | 14.0 | 8.0 |
| 2 x 0.75 N | grey | 14.0 | 8.0 |
| 2 x 1 N | red | 16.0 | 8.0 |
| 2 x 1.5 N | black | 16.0 | 8.0 |
| 2 x 2.5 N | blue | 19.0 | 10.0 |

Multicore Cable End, Insulated A

- Material: E-Cu galvanized
- Polyamide 6.0 leading-in funnel
- Heat resistant up to +110°C
- For conductors from 0.5 to 50 mm²



| Article No. | Article Description | QTY |
|-------------|-----------------------------|-------|
| 3712 05 115 | CBL END SLEEVE ORANGE 0.5K | H 500 |
| 3712 05 135 | CBL END SLEEVE ORANGE 0.5N | H 500 |
| 3712 075 12 | CBL END SLEEVE WHITE 0.75K | H 500 |
| 3712 075 14 | CBL END SLEEVE WHITE 0.75N | H 500 |
| 3712 075 16 | CBL END SLEEVE WHITE 0.75HL | H 500 |
| 3712 1 12 | CBL END SLEEVE YELLOW 1K | H 500 |
| 3712 1 14 | CBL END SLEEVE YELLOW 1N | H 500 |
| 3712 1 16 | CBL END SLEEVE YELLOW 1HL | H 500 |
| 3712 15 14 | CBL END SLEEVE RED 1.5N | H 500 |
| 3712 15 16 | CBL END SLEEVE RED 1.5HL | H 500 |
| 3712 15 24 | CBL END SLEEVE RED 1.5L | H 500 |
| 3712 6 20 | CBL END SLEEVE BLACK 6N | 100 |
| 3712 6 26 | CBL END SLEEVE BLACK 6L | 100 |
| 3712 10 21 | CBL END SLEEVE IVORY 10N | 100 |
| 3712 10 27 | CBL END SLEEVE IVORY 10L | 100 |
| 3712 16 23 | CBL END SLEEVE GREEN 16N | 100 |
| 3712 16 29 | CBL END SLEEVE GREEN 16L | 100 |
| 3712 25 29 | CBL END SLEEVE BROWN 25N | 50 |
| 3712 25 35 | CBL END SLEEVE BROWN 25L | 50 |
| 3712 35 39 | CBL END SLEEVE BEIGE 35L | 50 |
| 3712 50 36 | CBL END SLEEVE OLIVE 50N | 50 |

Technical Data

| Nom. cross-section mm ² | Type | Length L1 mm | Length L2 mm | D1 mm |
|---------------------------------------|------|-----------------|-----------------|----------|
| 0,5 | K | 11,5 | 6 | 1,4 |
| 0,5 | N | 13,5 | 8 | 1,4 |
| 0,75 | K | 12 | 6 | 1,6 |
| 0,75 | N | 14 | 8 | 1,6 |
| 0,75 | HL | 16 | 10 | 1,6 |
| 1 | K | 12 | 6 | 1,8 |
| 1 | N | 14 | 8 | 1,8 |
| 1 | HL | 16 | 10 | 1,8 |
| 1,5 | N | 14 | 8 | 2,1 |
| 1,5 | HL | 16 | 10 | 2,1 |
| 1,5 | L | 24 | 18 | 2,1 |
| 6 | N | 20 | 12 | 3,9 |
| 6 | L | 26 | 18 | 3,9 |
| 10 | N | 21 | 12 | 5 |
| 10 | L | 27 | 18 | 5 |
| 16 | N | 23 | 12 | 6,2 |
| 16 | L | 29 | 18 | 6,2 |
| 25 | N | 29 | 16 | 7,7 |
| 25 | L | 35 | 22 | 7,7 |
| 35 | L | 39 | 25 | 8,9 |
| 50 | N | 36 | 20 | 11 |

Set of Multicore Cable End, Insulated

- Neatly arranged box

| Article No. | Article Description | QTY |
|-------------|-------------------------------|-----|
| 3719 3713 | SET ST.CBL.END SLEEVE 0.5-2.5 | 1 |
| 3719 3712 | SET ST.CBL.END SLEEVE 0.5-2.5 | 1 |
| 3719 3710 | SET ST.CBL.END SLEEVE 0.5-2.5 | 1 |
| 3719 3713 1 | SET ST.CBL.END SLEEVE 4-16 | 1 |



Art. No. 3719 3713, 3719 3712, 3719 3710:

- 50 pieces 0.50 mm² x 13.5 mm
- 100 pieces 0.75 mm² x 14 mm
- 100 pieces 1.00 mm² x 14 mm
- 100 pieces 1.50 mm² x 14 mm
- 50 pieces 2.50 mm² x 15 mm

Art. No.: 3719 3713 1:

- 50 pieces 4 mm² x 16.8 mm
- 20 pieces 6 mm² x 20 mm
- 20 pieces 10 mm² x 21 mm
- 10 pieces 16 mm² x 23 mm

Multicore Cable End, Non-insulated DIN 46228

- Material: E-Cu
- Surface galvanized
- For conductors from 0.5 to 16 mm²



| Article No. | Article Description | QTY |
|-------------|--------------------------------|--------|
| 3711 05 6 | CBL END SLEEVE UNINSUL.0.5X6 | H 1000 |
| 3711 075 6 | CBL END SLEEVE UNINSUL. 0.75X6 | H 1000 |
| 3711 075 10 | CBL END SLEEVE UNINSUL.0.75X10 | H 1000 |
| 3711 1 6 | CBL END SLEEVE UNINSULATED 1X6 | H 1000 |
| 3711 1 10 | CBL END SLEEVE UNINSULAT. 1X10 | H 1000 |
| 3711 1 12 | CBL END SLEEVE UNINSULAT. 1X12 | H 1000 |
| 3711 15 7 | CBL END SLEEVE UNINSUL. 1.5X7 | H 1000 |
| 3711 15 10 | CBL END SLEEVE UNINSUL. 1.5X10 | H 1000 |
| 3711 15 12 | CBL END SLEEVE UNINSUL. 1.5X12 | H 1000 |
| 3711 15 15 | CBL END SLEEVE UNINSUL. 1.5X15 | H 1000 |
| 3711 25 7 | CBL END SLEEVE UNINSUL. 2.5X7 | H 1000 |
| 3711 25 10 | CBL END SLEEVE UNINSUL. 2.5X10 | H 1000 |

| Article No. | Article Description | QTY |
|-------------|--------------------------------|--------|
| 3711 25 12 | CBL END SLEEVE UNINSUL. 2.5X12 | H 1000 |
| 3711 25 15 | CBL END SLEEVE UNINSUL. 2.5X15 | H 1000 |
| 3711 25 18 | CBL END SLEEVE UNINSUL. 2.5X18 | H 1000 |
| 3711 4 9 | CBL END SLEEVE UNINSULATED 4X9 | H 1000 |
| 3711 4 12 | CBL END SLEEVE UNINSULAT. 4X12 | H 1000 |
| 3711 6 10 | CBL END SLEEVE UNINSULAT. 6X10 | H 500 |
| 3711 6 12 | CBL END SLEEVE UNINSULAT. 6X12 | H 500 |
| 3711 6 15 | CBL END SLEEVE UNINSULAT. 6X15 | H 500 |
| 3711 6 18 | CBL END SLEEVE UNINSULAT. 6X18 | H 500 |
| 3711 10 12 | CBL END SLEEVE UNINSULAT.10X12 | 100 |
| 3711 10 18 | CBL END SLEEVE UNINSULAT.10X18 | 100 |
| 3711 16 12 | CBL END SLEEVE UNINSULAT.16X12 | 100 |

Set of Multicore Cable End, Non-insulated

- Neatly arranged box

| Article No. | Article Description | QTY |
|-------------|---------------------------------|-----|
| 3719 3711 | SET CBL END SLEE. UNINS.0.5-2.5 | 1 |
| 3719 3711 1 | SET CBL END SLEEV. UNINS.0.75-4 | 1 |



Art. No. 3719 3711:

- 500 pieces 0.50 mm² x 6 mm
- 500 pieces 0.75 mm² x 6 mm
- 400 pieces 1.00 mm² x 6 mm
- 300 pieces 1.50 mm² x 7 mm
- 200 pieces 2.50 mm² x 7 mm

Art. No. 3719 3711 1:

- 400 pieces 0.75 mm² x 8 mm
- 300 pieces 1.00 mm² x 10 mm
- 200 pieces 1.50 mm² x 10 mm
- 150 pieces 2.50 mm² x 12 mm
- 100 pieces 4.00 mm² x 12 mm

Multicore Cable Ends in Assortment

- Insulated / non-insulated = 901 pieces

Contents:

| Article No. | Article Description | Quantity |
|-------------|--------------------------------|----------|
| 3711 15 7 | CBL END SLEEVE UNINSUL. 1.5X7 | 100 |
| 3711 15 12 | CBL END SLEEVE UNINSUL. 1.5X12 | 100 |
| 3711 25 7 | CBL END SLEEVE UNINSUL. 2.5X7 | 100 |
| 3711 25 12 | CBL END SLEEVE UNINSUL. 2.5X12 | 100 |
| 3711 4 12 | CBL END SLEEVE UNINSULAT. 4X12 | 100 |
| 3711 6 15 | CBL END SLEEVE UNINSULAT. 6X15 | 100 |
| 3713 05 155 | CBL END SLEEVE 0.5HL WHITE | 50 |
| 3713 075 14 | CBL END SLEEVE 0.75N GREY | 50 |
| 3713 1 14 | CBL END SLEEVE 1N RED | 50 |
| 3713 15 14 | CBL END SLEEVE 1.5N BLACK | 50 |
| 3713 25 15 | CBL END SLEEVE 2.5N BLUE | 50 |
| 3713 4 168 | CBL END SLEEVE 4N GREY | 25 |
| 3713 6 20 | CBL END SLEEVE 6N YELLOW | 25 |
| 3790 4 | MULTICORE CABLE END PLIERS 143 | 1 |

| Article No. | Article Description | QTY |
|-------------|--------------------------|-----|
| 9000 371 | ASS. MULTICORE CABLE END | 1 |
| 9000R 371 | TRAY MULTICORE CABLE END | 1 |

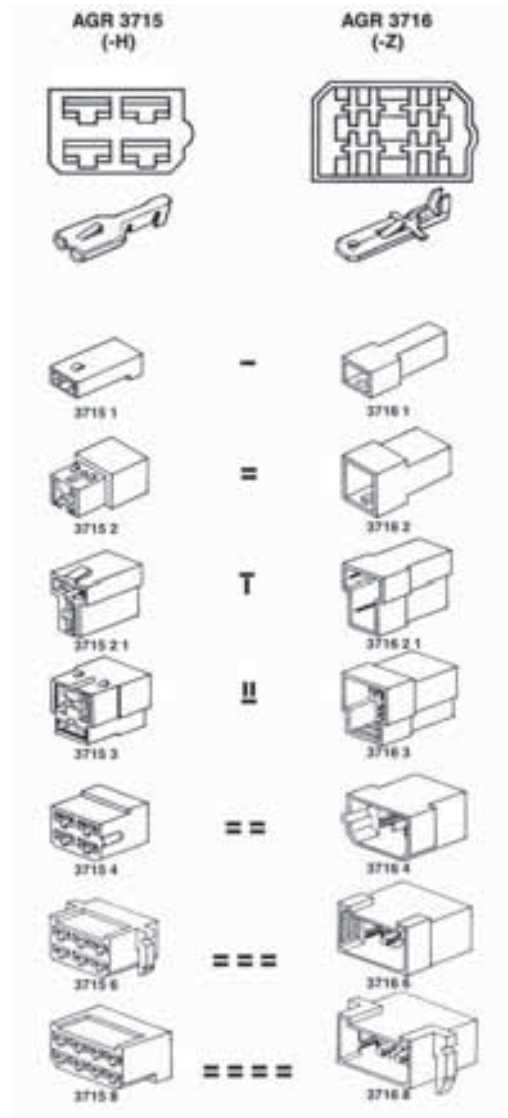


Multiple Plug Housings

- For male and female terminals with 6.3 mm width
- Made of polyamide, natural colour

| Article No. | Article Description | QTY |
|-------------|--------------------------------|------|
| 3715 1 | MULTIPLE PLUG HOUS.1 MALE CON. | z 25 |
| 3715 2 | MULTIPLE PLUG HOUS.2 MALE CON. | z 25 |
| 3715 2 1 | MULTIPLE PLUG HOUS.2 MALE C. T | z 25 |
| 3715 3 | MULTIPLE PLUG HOUS.3 MALE CON. | z 25 |
| 3715 4 | MULTIPLE PLUG HOUS.4 MALE CON. | z 25 |
| 3715 6 | MULTIPLE PLUG HOUS.6 MALE CON. | z 25 |
| 3715 8 | MULTIPLE PLUG HOUS.8 MALE CON. | z 25 |
| 3716 1 | MULTIPLE PLUG HOUS.1 FEMALE | z 25 |
| 3716 2 | MULTIPLE PLUG HOUS.2 FEMALE | z 25 |
| 3716 2 1 | MULTI.PLUG HOUS.2 FEMALE T | z 25 |
| 3716 3 | MULTI PLUG HOUSING 3 FEMALE | z 25 |
| 3716 4 | MULTI PLUG HOUSING 4 FEMALE | z 25 |
| 3716 6 | MULTI PLUG HOUSING 6 FEMALE | z 25 |
| 3716 8 | MULTI PLUG HOUSING 8 FEMALE | z 25 |

MT= Male Terminal, FT = Female Terminal



Male/Female Connectors



| Article No. | Article Description | QTY |
|-------------|------------------------------|-----|
| 3703 706 | FEMALE CONN.+LUG 0.5-1.0 6.3 | 100 |
| 3704 608 | ELECTRONIC PLUG 608 | 100 |
| 3703 707 | FEMALE CONN.+LUG 1.5-2.5 6.3 | 100 |
| 3704 606 | ELECTRONIC PLUG 606 | 100 |
| 3704 605 | ELECTRONIC PLUG 605 | 100 |
| 3704 626 | ELECTRONIC PLUG 626 | 100 |
| 3704 624 | ELECTRONIC PLUG 624 | 100 |
| 3704 625 | ELECTRONIC PLUG 625 | 100 |
| 3704 622 | ELECTRONIC PLUG 622 | 100 |

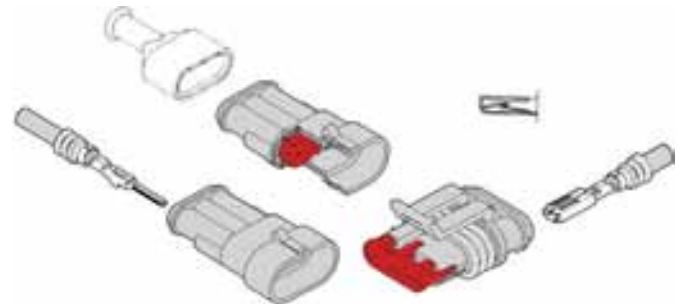
| Technical Data | | | | |
|----------------|------------------|----------------------------|----------------------------|--|
| Art. No. | Type | Cable dia. mm ² | Material | |
| 3703 706 | Female connector | 0.5 - 1.0 | Brass plain | |
| 3704 608 | Female connector | 1.0 - 2.5 | Brass silver-plated | |
| 3703 707 | Female connector | 1.5 - 2.5 | Brass plain | |
| 3704 606 | Female connector | 2.5 - 4.0 | Brass tin-plated | |
| 3704 605 | Female connector | 4.0 - 6.0 | Brass silver-plated | |
| 3704 626 | Male connector | 0.8 - 2.1 | Brass silver-plated | |
| 3704 624 | Male connector | 0.8 - 2.1 | Brass tin-plated | |
| 3704 625 | Male connector | 0.8 - 2.1 | Phosphor bronze tin-plated | |
| 3704 622 | Male connector | 4.0 - 6.0 | Brass silver-plated | |

Waterproof Plug Connectors

- In compliance with IEC 529 and DIN 40050 IP 67
- Waterproof
- Suitable for use in automotive industry, agriculture, machine construction industry
- Assortment of waterproof plug connectors Part No. 9000 3718

Technical Data

| | |
|---------------------------------|---------------------------|
| Socket contact material: | CuSn, tin-plated |
| Pin contact material: | CuSn, tin-plated |
| Housing material: | Polyamide 6.6 |
| Gasket material: | Silicone |
| For cable: | 0.5 - 1.5 mm ² |
| For insulation dia.: | 1.4 - 3.3 mm |
| Max. voltage: | 24 Volts |
| Max. current: | 14 Amperes |



| Article No. | Article Description | QTY |
|-------------|---------------------------------------|------|
| 3718 1 | HOUSING F FEM CONN 1-POLE | e 10 |
| 3718 1 1 | HOUSING F MALE CONN 1-POLE | e 10 |
| 3718 2 | HOUSING F FEM CONN 2-POLE | e 10 |
| 3718 2 2 | HOUSING F MALE CONN 2-POLE | e 10 |
| 3718 3 | HOUSING F FEM CONN 3-POLE | e 10 |
| 3718 3 3 | HOUSING F MALE CONN 3-POLE | e 10 |
| 3718 4 | HOUSING F FEM CONN 4-POLE | e 10 |
| 3718 4 4 | HOUSING F MALE CONN 4-POLE | e 10 |
| 3718 5 | HOUSING F FEM CONN 5-POLE | e 10 |
| 3718 5 5 | HOUSING F MALE CONN 5-POLE | e 10 |
| 3718 6 | HOUSING F FEM CONN 6-POLE | e 10 |
| 3718 6 6 | HOUSING F MALE CONN 6-POLE | e 10 |
| 3718 12 | DUMMY PLUG | 100 |
| 3718 13 | GASKET GREEN 1.4-1.7MM | 100 |
| 3718 14 | GASKET YELLOW 1.8-2.4MM | 100 |
| 3718 15 | GASKET RED 2.6-3.3MM | 100 |
| 3704 613 | FEMALE CONTACT 0.5-1.5MM ² | 100 |
| 3704 627 | MALE CONTACT 0.5-1.5MM ² | 100 |



Tool for Waterproof Plug Connectors

Part No. 3754 910:

- For pulling out secondary contact retainer in housing for male connectors; the secondary contact retainer on the housings for female connectors can be removed with a small screwdriver

Part No. 3754 595:

- For pushing out male and female contacts



| Article No. | Article Description | QTY |
|-------------|--------------------------------|-----|
| 3790 20 | PLIERS F UNINSUL CON.0.1-1.5MM | 1 |
| 3794 910 | HOOK TOOL 910 | 1 |
| 3794 595 | FLAT INSERT TOOL 595 | 1 |

Heat Shrink Tubing SR 2:1

- Shrinking rate 2:1
- For cable and connector insulation as well as for bundling cables
- Protects against corrosion and mechanical influences e.g. in form of buckling protection and strain relief
- Modified polyethylene, irradiation cross-linked
- Colour: black
- Dielectric strength in compliance with VDE 0303, Part 2: 20 KV/mm min.
- Dielectric constant in compliance with DIN 53483, S. 2 + 3: 2.5 max.
- Self-extinguishing
- Application temperatures: -55°C to +125°C
- Spec. volume resistance acc. to VDE 0303, Part 3: 10¹⁴ Ohm x cm min.

Specifications:

- UL 224 Approved / E 107857
- CSA C 22.2 Approved / LR 66150
- MIL-/23053 / 5 Class 1

| Article No. | Article Description | QTY |
|-------------|---------------------------------|-------|
| 3730 12 | KT(15M)HEAT SHRINK TUB.1.2/0.6 | 1 |
| 3730 16 | KT(15M)HEAT SHRINK TUB.1.6/0.8 | 1 |
| 3730 24 | KT(13M)HEAT SHRINK TUB.2.4/1.2 | 1 |
| 3730 32 | KT(12M)HEAT SHRINK TUB.3.2/1.6 | 1 |
| 3730 48 | KT(11M)HEAT SHRINK TUB.4.8/2.4 | 1 |
| 3730 64 | KT(10M)HEAT SHRINK TUB.6.4/3.2 | 1 |
| 3730 95 | KT(7M)HEAT SHRINK TUB.9.5/4.8 | 1 |
| 3730 127 | KT(6M)HEAT SHRINK TUB.12.7/6.4 | 1 |
| 3730 190 | KT(5M)HEAT SHRINK TUB.19.0/9.5 | 1 |
| 3730 254 | KT(4M)HEAT SHRINK TUB.25.4/12.7 | 1 |
| 3731 24 | HEAT SHRINK TUBING 100MM 2.4 | g 100 |
| 3731 32 | HEAT SHRINK TUBING 100MM 3.2 | g 100 |
| 3731 48 | HEAT SHRINK TUBING 100MM 4.8 | g 100 |
| 3731 64 | HEAT SHRINK TUBING 100MM 6.4 | g 100 |
| 3731 95 | HEAT SHRINK TUBING 100MM 9.5 | g 100 |
| 3731 127 | HEAT SHRINK TUBING 100MM 12.7 | g 100 |
| 3731 190 | HEAT SHRINK TUBING 100MM 19.0 | g 100 |
| 3731 254 | HEAT SHRINK TUBING 100MM 25.4 | g 100 |



| Technical Data | | | |
|-----------------------|---------------------------|--------------------------|------------------------------|
| Dia. before shrinking | Dia. after max. shrinking | Thickn. before shrinking | Thickn. after max. shrinking |
| mm | mm | mm | mm |
| 1.2 | 0.6 | 0.20 | 0.40 |
| 1.6 | 0.8 | 0.20 | 0.40 |
| 2.4 | 1.2 | 0.25 | 0.50 |
| 3.2 | 1.6 | 0.25 | 0.50 |
| 4.8 | 2.4 | 0.25 | 0.50 |
| 6.4 | 3.2 | 0.30 | 0.60 |
| 9.5 | 4.8 | 0.30 | 0.60 |
| 12.7 | 6.4 | 0.30 | 0.60 |
| 19.0 | 9.5 | 0.40 | 0.80 |
| 25.4 | 12.7 | 0.45 | 0.90 |
| 2.4 | 1.2 | 0.25 | 0.50 |
| 3.2 | 1.6 | 0.25 | 0.50 |
| 4.8 | 2.4 | 0.25 | 0.50 |
| 6.4 | 3.2 | 0.30 | 0.60 |
| 9.5 | 4.8 | 0.30 | 0.60 |
| 12.7 | 6.4 | 0.30 | 0.60 |
| 19.0 | 9.5 | 0.40 | 0.80 |
| 25.4 | 12.7 | 0.45 | 0.90 |

Heat Shrink Tubing 2:1 in Assortment

- 2.4 - 25.4 = 120 pieces

| Article No. | Article Description | QTY |
|-------------|------------------------------|-----|
| 9000 3731 | ASSORTMENT SHRINK TUBING 2:1 | 1 |
| 9000R 3731 | TRAY HEAT SHRINK TUBING | 1 |

Contents:

| Article No. | Article Description | Quantity |
|-------------|-------------------------------|----------|
| 3731 24 | HEAT SHRINK TUBING 100MM 2.4 | 25 |
| 3731 32 | HEAT SHRINK TUBING 100MM 3.2 | 25 |
| 3731 48 | HEAT SHRINK TUBING 100MM 4.8 | 20 |
| 3731 64 | HEAT SHRINK TUBING 100MM 6.4 | 15 |
| 3731 95 | HEAT SHRINK TUBING 100MM 9.5 | 15 |
| 3731 127 | HEAT SHRINK TUBING 100MM 12.7 | 10 |
| 3731 190 | HEAT SHRINK TUBING 100MM 19.0 | 5 |
| 3731 254 | HEAT SHRINK TUBING 100MM 25.4 | 5 |



Unwinding Device

- For 6 dispenser boxes
- Suitable for shrink and braided tubing
- Not assembled
- Dimensions LxWxH: 313 x 183 x 260 mm

| Article No. | Article Description | QTY |
|-------------|--------------------------------|-----|
| 3730 1 | UNWIND.DEV.F.SHRINK+BRAID.TUB. | 1 |



Heat Shrink Tubing SR 3:1

Shrinking rate 3:1 with inside hot-melt adhesive

- For effective, liquid-proof insulation
- The high shrinking capacity compensates for major differences in diameter
- Self-extinguishing
- Application temperature: -55°C to +85°C
- Spec. volume resistance acc. to VDE 0303, Part 3: $3 \cdot 10^{13} \text{ Ohm} \cdot \text{cm} \cdot \text{min}$

Specifications:

- MIL-/23053/4 black
- AMS 3694



| Article No. | Article Description | QTY |
|-------------|--------------------------------|------|
| 3732 3 | KT(5M)HEAT SHRINK TUB.IK 3/1 | 1 |
| 3732 6 | KT(3.5M)HEAT SHRINK TUB.IK 6/2 | 1 |
| 3732 9 | KT(3M)HEAT SHRINK TUB.IK 9/3 | 1 |
| 3732 12 | KT(2.5M)HEAT SHRIN.TUB.IK 12/4 | 1 |
| 3732 19 | KT(2M)HEAT SHRINK TUB.IK 19/6 | 1 |
| 3732 24 | KT(1.5M)HEAT SHRIN.TUB.IK 24/8 | 1 |
| 3733 3 | HEAT SHRINK TUBING IK 100MM3/1 | g 50 |
| 3733 6 | HEAT SHRINK TUBING IK 100MM6/2 | g 50 |
| 3733 9 | HEAT SHRINK TUBING IK 100MM9/3 | g 50 |
| 3733 12 | HEAT SHRINK TUBING IK100MM12/4 | g 50 |
| 3733 19 | HEAT SHRINK TUBING IK100MM19/6 | 25 |
| 3733 24 | HEAT SHRINK TUBING IK100MM24/8 | 25 |

| Technical Data | | | |
|-----------------------|---------------------------|---------------------------------|--------------------------------|
| Dia. before shrinking | Dia. after max. shrinking | Thickness before max. shrinking | Thickness after max. shrinking |
| mm | mm | Adhesive mm | Total mm |
| 3 | 1 | 0.4 | 1.0 |
| 6 | 2 | 0.5 | 1.2 |
| 9 | 3 | 0.5 | 1.4 |
| 12 | 4 | 0.6 | 1.7 |
| 19 | 6 | 0.6 | 2.1 |
| 24 | 8 | 0.7 | 2.4 |
| 3 | 1 | 0.4 | 1.0 |
| 6 | 2 | 0.5 | 1.2 |
| 9 | 3 | 0.5 | 1.4 |
| 12 | 4 | 0.6 | 1.7 |
| 19 | 6 | 0.6 | 2.1 |
| 24 | 8 | 0.7 | 2.4 |

Heat Shrink Tubing - Package 3:1

- Shrinking ratio 3:1 with inside hot-melt adhesive
- For liquid-proof insulation
- Contains the 4 most common sizes



| Article No. | Article Description | QTY |
|-------------|------------------------------|-----|
| 3732P 3 | H SHRINK TUB.PACKAGE 3:1 III | 1 |

Consists of:

- 1x $\varnothing 3 \text{ mm} \times 5 / \varnothing 6 \text{ mm} \times 3.5 \text{ m} / \varnothing 9 \text{ mm} \times 3 \text{ m} / \varnothing 12 \text{ mm} \times 2.5 \text{ m}$

Heat Shrink Tubing 3:1 - Butt Connector Assortment

- 3 - 19 mm = 55 pieces, 0.5 - 6.0 mm² = 70 pieces

| Article No. | Article Description | QTY |
|-------------|--------------------------------|-----|
| 9000 3733 | ASS.HEAT SHRINK TUBING 3:1 IK | 1 |
| 9000R 3733 | TRAY HEAT SHRINK TUBING 3:1 IK | 1 |

Contents:

| Article No. | Article Description | Quantity |
|-------------|--------------------------------|----------|
| 3702 839 | H SRNK BUTT CONNECT.BLUE 839 | 30 |
| 3702 840 | H SRNK BUTT CONNECT.YELLOW 840 | 20 |
| 3702 841 | H SRNK BUTT CONNECT.RED 841 | 20 |
| 3733 3 | HEAT SHRINK TUBING IK 100MM3/1 | 20 |
| 3733 6 | HEAT SHRINK TUBING IK 100MM6/2 | 10 |
| 3733 9 | HEAT SHRINK TUBING IK 100MM9/3 | 10 |
| 3733 12 | HEAT SHRINK TUBING IK100MM12/4 | 10 |
| 3733 19 | HEAT SHRINK TUBING IK100MM19/6 | 5 |



Insulating Tubes, PVC

- Non-fabric
- According to DIN 40621
- Flame resistant



| Article No. | Article Description | QTY |
|-------------|----------------------------|-----|
| 3735 3 | RI(25M) INSULATING TUBE 3 | 1 |
| 3735 4 | RI(25M) INSULATING TUBE 4 | 1 |
| 3735 5 | RI(25M) INSULATING TUBE 5 | 1 |
| 3735 6 | RI(25M) INSULATING TUBE 6 | 1 |
| 3735 8 | RI(25M) INSULATING TUBE 8 | 1 |
| 3735 10 | RI(25M) INSULATING TUBE 10 | 1 |
| 3735 12 | RI(25M) INSULATING TUBE 12 | 1 |
| 3735 16 | RI(25M) INSULATING TUBE 16 | 1 |
| 3735 20 | RI(25M) INSULATING TUBE 20 | 1 |

Technical Data

| Ø mm | Mat.thickness mm |
|------|------------------|
| 3 | 0.4 |
| 4 | 0.5 |
| 5 | 0.6 |
| 6 | 0.6 |
| 8 | 0.7 |
| 10 | 0.7 |
| 12 | 0.8 |
| 16 | 1.0 |
| 20 | 1.2 |

Corrugated Tubing, Separable

- Can be opened and closed lengthwise at any time
- Ideal for protecting ignition cable and other conductions against gnawing damage
- Easy re-installation possible
- Outer dia. 13.6 mm
- Inner dia. 8.9 mm



| Article No. | Article Description | QTY |
|-------------|--------------------------------|-----|
| 3736 1010 | RI(10M)CORRUG.TUB.10MM SEPARA. | 1 |
| 3736 1025 | RI(25M)CORRUG.TUB.10MM SEPARA. | 1 |
| 3736 1050 | RI(50M)CORRUG.PIPE 10MM PARTA. | 1 |

Corrugated Tubing, Closed

- For protecting cables
- Certificated acc. to GGVS/ADR
- Material: polyamide 6, black
- Temperature resistance from -40°C to +120°C
- Resistant to fuel, mineral oil and grease



| Article No. | Article Description | QTY |
|-------------|--------------------------------|-----|
| 3736 8 1 | RI(50M)CORR.TUB. NW8.5ADR/GGVS | 1 |
| 3736 10 1 | RI(50M)CORRU.TUB. NW10ADR/GGVS | 1 |
| 3736 12 1 | RI(50M)CORRU.TUB. NW12ADR/GGVS | 1 |
| 3736 17 1 | RI(50M)CORRU.TUB. NW17ADR/GGVS | 1 |
| 3736 22 1 | RI(50M)CORRU.TUB. NW22ADR/GGVS | 1 |

Technical Data

| OD | ID |
|---------|---------|
| 11.5 mm | 8.4 mm |
| 12.8 mm | 9.8 mm |
| 15.7 mm | 12.3 mm |
| 21.1 mm | 16.6 mm |
| 25.5 mm | 21.2 mm |

Corrugated Tubing, Slotted

- For protecting cables
- Material: polyamide 6, black
- Temperature resistance from -40°C to +120°C
- Resistant to fuel, mineral oil and grease



| Article No. | Article Description | QTY |
|-------------|--------------------------------|-----|
| 3736 40 6 | RO(25M)SLOT.CORRUG.TUBING 6MM | 1 |
| 3736 40 9 | RO(25M)SLOT.CORRUG.TUBING 9MM | 1 |
| 3736 40 11 | RO(25M)SLOT.CORRUG.TUBING 11MM | 1 |
| 3736 40 13 | RO(25M)SLOT.CORRUG.TUBING 13MM | 1 |
| 3736 40 16 | RO(25M)SLOT.CORRUG.TUBING 16MM | 1 |
| 3736 40 19 | RO(25M)SLOT.CORRUG.TUBING 19MM | 1 |
| 3736 40 23 | RO(25M)SLOT.CORRUG.TUBING 23MM | 1 |
| 3736 40 26 | RO(25M)SLOT.CORRUG.TUBING 26MM | 1 |
| 3736 40 29 | RO(25M)SLOT.CORRUG.TUBING 29MM | 1 |
| 3736 40 33 | RO(25M)SLOT.CORRUG.TUBING 33MM | 1 |

Technical Data

| OD | ID |
|---------|---------|
| 9.6 mm | 6.0 mm |
| 13.5 mm | 9.4 mm |
| 15.7 mm | 11.1 mm |
| 18.5 mm | 13.4 mm |
| 21.2 mm | 15.0 mm |
| 24.0 mm | 19.3 mm |
| 28.7 mm | 23.4 mm |
| 31.0 mm | 15.9 mm |
| 33.9 mm | 29.3 mm |
| 38.2 mm | 33.1 mm |

Spiral Tubing

- For protection and bundling of cables
- Colour: black



| Article No. | Article Description | QTY |
|-------------|-------------------------------|-----|
| 3736 30 6 | RO(25M)SPIRAL TUBE BLACK 6MM | 1 |
| 3736 30 12 | RO(25M)SPIRAL TUBE BLACK 12MM | 1 |

(Outer dia. / bundling dia.)

Braided Sleeve

- To protect bundle cables, lines, wires and hoses
- Suitable for automotive, electrical industries and switch and system construction
- High abrasion protection
- High material strength
- UV-resistant
- Colour: black
- Can be cut cold - no special tool required



| Article No. | Article Description | QTY |
|-------------|--------------------------------|-----|
| 3737 5 | CT(20M)BR.CABLE.SLEE.Ø 5.2-7MM | 1 |
| 3737 10 | CT(15M)BR.CABLE.SLE.Ø10.5-12MM | 1 |
| 3737 15 | CT(15M)BR.CABLE.SLE.Ø15.8-17MM | 1 |
| 3737 25 | CT(10M)BR.CABLE.SL.Ø25.14-25MM | 1 |
| 3737 30 | CT(10M)BR.CABLE.SL.Ø30.18-32MM | 1 |
| 3737 40 | CT(5M)BR.CABLE.SL.Ø40.30-55MM | 1 |

(Nom. dia./application range)

| Technical Data | |
|--------------------------------|---------------------------------------------------------------------|
| Material: | Polyester PET (halogen and silicone-free) |
| Elongation range: | 50 - 300% |
| Temperature resistance: | -50°C to +150°C for a short period +200°C |
| Melting point: | +250°C |
| Chemical resistance: | alkaline and slightly acidic material, oil, grease, fuel and diesel |
| Water absorption: | 0.01% max. |

Unwinding Device

- For 6 dispenser boxes
- Suitable for shrink and braided tubing
- Not assembled
- Dimensions LxWxH: 313 x 183 x 260 mm



| Article No. | Article Description | QTY |
|-------------|--------------------------------|-----|
| 3730 1 | UNWIND.DEV.F.SHRINK+BRAID.TUB. | 1 |

Insulating Fabric Tape

- Tested in compliance with VDE 0340 Part 2 DIN 40633, page 2
- Fabric tape made of spun rayon fabric with plastic coating, 0.3 mm thickness, weather resistant

| Article No. | Article Description | QTY |
|-------------|--------------------------------|-----|
| 3741 1 | RO(25M)INSULAT.TAPE BLACK 25MM | 1 |
| 3741 2 | RO(25M)INSULAT.TAPE RED 25MM | 1 |



Insulating Tape PVC

- Tested in compliance with VDE 0340 DIN EN 60454
- Soft PVC foil, 0.15 mm thickness
- Dielectric strength 6.5 KV, low flammability
- Resistant to ageing and temperature
- Resistant to diluted acids and bases

| Article No. | Article Description | QTY |
|-------------|--------------------------------|------|
| 3740 1 | RO(10M)VDE INS-TAPE 12MM BLACK | e 10 |
| 3740 2 | RO(10M)VDE INS-TAPE 12MM RED | e 10 |
| 3740 3 | RO(10M)VDE INS-TAPE 12MM GREEN | e 10 |
| 3740 4 | RO(10M)VDE INS-TAPE 12MM BLUE | e 10 |
| 3740 5 | RO(10M)VDE INS-TAPE 12MM YELLO | e 10 |
| 3740 6 | RO(10M)VDE INS-TAPE 12MM WHITE | e 10 |
| 3740 7 | RO(10M)VDE INS-T.0,15X12MM GRE | e 10 |
| 3740 8 | RO(10M)VDE INS-T.0,15X12MM BRO | e 10 |
| 3740 9 | RO(10M)VDE INS-T.0,15X12MM VIO | e 10 |
| 3740 10 | RO(10M)VDE INS-T.0,15X12MM ORA | e 10 |
| 3740 11 | RO(25M)VDE INS-TAPE 19MM BLACK | e 10 |
| 3740 12 | RO(25M)VDE INS-T.0,15X19MM RED | e 10 |
| 3740 13 | RO(25M)VDE IN-T.0,15X19MM GREE | e 10 |
| 3740 14 | RO(25M)VDE IN-T.0,15X19MM BLUE | e 10 |
| 3740 15 | RO(25M)VDE IN-T.0,15X19MM YELL | e 10 |
| 3740 16 | RO(25M)VDE IN-T.0,15X19MM WHIT | e 10 |
| 3740 17 | RO(25M)VDE IN-T.0,15X19MM GREY | e 10 |
| 3740 18 | RO(25M)VDE IN-T.0,15X19MM BROW | e 10 |
| 3740 19 | RO(25M)VDE IN-T.0,15X19MM VIOL | e 16 |
| 3740 20 | RO(10M)VDE IN-T.0,15X12GREE/GR | e 10 |
| 3740 21 | RO(25M)VDE IN-T.0,15X19MM ORAN | e 10 |
| 3740 22 | RO(25M)VDE IN-T.0,15X19GREE/GR | e 10 |
| 3740 30 | RO(25M)VDE IN-T.0,15X30MM BLAC | e 5 |



Insulating Tape Set

Part No. 3740P 1:

- Tape width 12 mm, all colours

Part No. 3740P 2:

- Tape width 19 mm, all colours

| Article No. | Article Description | QTY |
|-------------|--------------------------------|-----|
| 3740P 1 | BAG(11)INSUL.TAPE 12MMX10M VDE | 1 |
| 3740P 2 | BAG(11)INSUL.TAPE 19MMX25M VDE | 1 |



Coroplast Insulating Tape

- Tested in compliance with VDE 0340/DIN 40633-K10
- Temperature resistant up to max. 90°C
- Dielectric strength 6 KV
- Soft PVC foil 0.1 mm thickness

| Article No. | Article Description | QTY |
|-------------|--------------------------------|------|
| 3746 1 | COROPL.RO(10M)0,10X15MM BLACK | 20 |
| 3746 2 | COROPL.RO(10M)0,10X15MM RED | 20 |
| 3746 3 | COROPL.RO(10M)0,10X15MM GREEN | 20 |
| 3746 4 | COROPL.RO(10M)0,10X15MM BLUE | 20 |
| 3746 5 | COROPL.RO(10M)0,10X15MM YELLOW | 20 |
| 3746 6 | COROPL.RO(10M)0,10X15MM WHITE | 20 |
| 3746 7 | COROPL.RO(10M)0,10X15MM GREY | 20 |
| 3746 8 | COROPL.RO(10M)0,10X15MM BROWN | 20 |
| 3746 20 | COROP.RO(10M)0,15X15MM GRE/YEL | 20 |
| 3746 30 | CO.RO(10M)0,10X30MM LIGHT GREY | 20 |
| 3746 50 | CO.RO(10M)0,10X50MM LIGHT GREY | e 12 |



Insulating Linen Fabric Tape

- With linen fabric
- Tested in compliance with VDE 340
- Double-sided adhesive
- Saturated with caoutchouc
- Width 15 mm

| Article No. | Article Description | QTY |
|-------------|--------------------------------|------|
| 3742 10 | RO(10M)INSUL.TAPE LINEN BLACK | 10 |
| 3742 5 | RO(5M)INSULAT.TAPE LINEN BLACK | e 10 |

Fabric Tape

- Cellular fabric with particularly tear strength, very high contact adhesion
- Used as original equipment on VW vehicles for bundling cables (cable harnesses)
- For reinforcing and protecting edges, e.g. coverings in motor vehicles

| Article No. | Article Description | QTY |
|-------------|--------------------------------|-----|
| 3741 19 50 | RO(50M) FABRIC TAPE 19MM BLACK | 1 |

Adhesive Tape - Fleece

- For manually made vehicle interior cabke harnesses (VW original)
- 19 mm width, anti-noise, abrasion-proof PET fleece 0.30 thickness, with a natural rubber glue
- Adaptable, tear-proof, resistant to aging, strong adhesive and can be torn by hand
- Temperature resistant up to +105°C

| Article No. | Article Description | QTY |
|-------------|--------------------------------|------|
| 3741 18 15 | RO(15M)FLE.ADH.TAPE BLACK 19MM | e 8 |
| 3741 18 25 | RO(25M)FLE.ADH.TAPE BLACK 19MM | e 16 |

Self-Vulcanising Tape

- Equivalent to MTL 1-3825
- Self-melting shrinking tape 0.5 mm thickness
- For connecting and sealing numerous insulating and cable materials, particularly at junctions, housings etc.
- As steam diffusion barrier on at pipes, hoses etc.
- Ideal as corrosion protection tape
- Extremely ductile and pliant, elongation at break 600%
- Spec. resistance 1013 Ohm
- Temperature resistance: -40°C to +90°C

| Article No. | Article Description | QTY |
|-------------|--------------------------------|-----|
| 3743 19 | RO(10)VULCANIS.TAPE 19MM BLACK | 1 |
| 3743 25 | RO(10M)VULCANI.TAPE 25MM BLACK | 1 |
| 3743 38 | RO(10M)VULCANI.TAPE 38MM BLACK | 1 |

Teflon Sealing Tape

- For sealing pipe threads
- Resistant to all aggressive mediums
- Temperature resistance: -20°C to +95°C
- Prevents pipe threads from galling
- DIN DVGW-tested
- Oxygen resistant

| Article No. | Article Description | QTY |
|-------------|------------------------------|------|
| 3744 12 | RO(12M)TEFLON-DICHTBAND 12MM | e 10 |



Grommets, One-sided

- Material: black PVC
- For protecting wires, cables and tubing passing through metal plates
- Snaps in quickly and cleanly

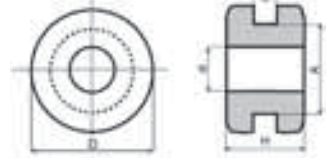


| Article No. | Article Description | QTY |
|-------------|---------------------|-------|
| 3780 10 | GROMMET PVC 10MM | g 100 |
| 3780 11 | GROMMET PVC 11MM | g 100 |
| 3780 12 | GROMMET PVC 12MM | g 100 |
| 3780 14 | GROMMET PVC 14MM | g 100 |
| 3780 16 | GROMMET PVC 16MM | g 100 |
| 3780 18 | GROMMET PVC 18MM | g 100 |
| 3780 20 | GROMMET PVC 20MM | g 100 |
| 3780 22 | GROMMET PVC 22MM | g 100 |
| 3780 26 | GROMMET PVC 26MM | g 100 |
| 3780 28 | GROMMET PVC 28MM | g 100 |

| Technical Data | | | |
|----------------|-------|-------|------|
| Art. No. | d2 mm | d1 mm | h mm |
| 3780 10 | 10 | 6 | 1.5 |
| 3780 11 | 11 | 7 | 1.5 |
| 3780 12 | 12 | 8 | 1.5 |
| 3780 14 | 14 | 10 | 1.5 |
| 3780 16 | 16 | 12 | 1.5 |
| 3780 18 | 18 | 14 | 1.5 |
| 3780 20 | 20 | 16 | 1.5 |
| 3780 22 | 22 | 18 | 1.5 |
| 3780 26 | 26 | 22 | 1.5 |
| 3780 28 | 28 | 24 | 1.5 |

Grommets, Double-sided

- Material: black PVC
- For protecting wires, cables and tubing passing through metal plates
- Snaps in quickly and cleanly

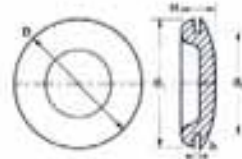


| Article No. | Article Description | QTY |
|-------------|-------------------------------|-------|
| 3785 6 | GROMMET DOUBLE-SIDED 6MM/1,5 | g 100 |
| 3785 9 | GROMMET DOUBLE-SIDED 9MM/1 | g 100 |
| 3785 10 | GROMMET DOUBLE-SIDED 10MM/2 | g 100 |
| 3785 11 | GROMMET DOUBLE-SIDED 11MM/1 | g 100 |
| 3785 12 | GROMMET DOUBLE-SIDED 12MM/1,5 | g 100 |
| 3785 19 | GROMMET DOUBLE-SIDED 19,5MM/4 | 100 |
| 3785 21 | GROMMET DOUBLE-SIDED 21MM/4 | g 100 |
| 3785 21 1 | GROMMET DOUBLE-SIDED 21MM/2 | g 100 |
| 3785 24 | GROMMET DOUBLE-SIDED 24MM/3 | w 100 |
| 3785 30 | GROMMET DOUBLE-SIDED 30MM/3,5 | w 100 |
| 3785 31 | GROMMET DOUBLE-SIDED 31MM/1,5 | w 100 |

| Technical Data | | | | | |
|----------------|------|------|------|------|------|
| Art. No. | d mm | A mm | D mm | H mm | B mm |
| 3785 6 | 4 | 6 | 10 | 5,5 | 1,5 |
| 3785 9 | 6 | 9 | 12 | 5 | 1 |
| 3785 10 | 6 | 10 | 14 | 8 | 2 |
| 3785 11 | 8 | 11 | 14 | 6 | 1 |
| 3785 12 | 10 | 12 | 17 | 7 | 1,5 |
| 3785 19 | 12 | 19,5 | 23 | 10 | 4 |
| 3785 21 | 16 | 21 | 28 | 10 | 4 |
| 3785 21 1 | 16 | 21 | 28 | 8 | 2 |
| 3785 24 | 15,5 | 24 | 32 | 9,5 | 3 |
| 3785 30 | 25 | 30 | 36 | 11 | 3,5 |
| 3785 31 | 21 | 31 | 38 | 11 | 1,5 |

Sealing Plug

- For max. sheet metal hickness of (h): 1.6 mm



| Article No. | Article Description | QTY |
|-------------|-------------------------|-------|
| 3781 47 | SEALING PLUG PVC 4.7MM | g 100 |
| 3781 64 | SEALING PLUG PVC 6.4MM | g 100 |
| 3781 80 | SEALING PLUG PVC 8.0MM | g 100 |
| 3781 95 | SEALING PLUG PVC 9.5MM | g 100 |
| 3781 115 | SEALING PLUG PVC 11.5MM | g 100 |
| 3781 125 | SEALING PLUG PVC 12.5MM | g 100 |
| 3781 149 | SEALING PLUG PVC 14.9MM | g 100 |
| 3781 155 | SEALING PLUG PVC 15.5MM | 20 |
| 3781 190 | SEALING PLUG PVC 19.0MM | 20 |
| 3781 200 | SEALING PLUG PVC 20.0MM | 20 |
| 3781 225 | SEALING PLUG PVC 22.5MM | 15 |
| 3781 254 | SEALING PLUG PVC 25.4MM | 10 |
| 3781 320 | SEALING PLUG PVC 32.0MM | 10 |
| 3781 382 | SEALING PLUG PVC 38.2MM | 20 |
| 3781 515 | SEALING PLUG PVC 51.5MM | 10 |

| Technical Data | | | |
|----------------|-------|-------|------|
| Art. No. | d2 mm | d1 mm | D mm |
| 3781 47 | 4.7 | 9.3 | 9.3 |
| 3781 64 | 6.4 | 9.5 | 9.5 |
| 3781 80 | 8.0 | 10.6 | 14.2 |
| 3781 95 | 9.5 | 12.8 | 15.4 |
| 3781 115 | 11.5 | 15.5 | 17.0 |
| 3781 125 | 12.5 | 15.5 | 18.7 |
| 3781 149 | 14.9 | 18.4 | 20.3 |
| 3781 155 | 15.5 | 19.0 | 22.0 |
| 3781 190 | 19.0 | 22.1 | 25.5 |
| 3781 200 | 20.0 | 21.1 | 25.5 |
| 3781 225 | 22.5 | 27.0 | 28.4 |
| 3781 254 | 25.4 | 28.3 | 32.0 |
| 3781 320 | 32.0 | 35.4 | 38.2 |
| 3781 382 | 38.2 | 42.7 | 43.3 |
| 3781 515 | 51.5 | 52.6 | 57.5 |

Car Body - Plug

- Thermoplastic rubber, black
- Temperature resistant from -40°C to +150°C

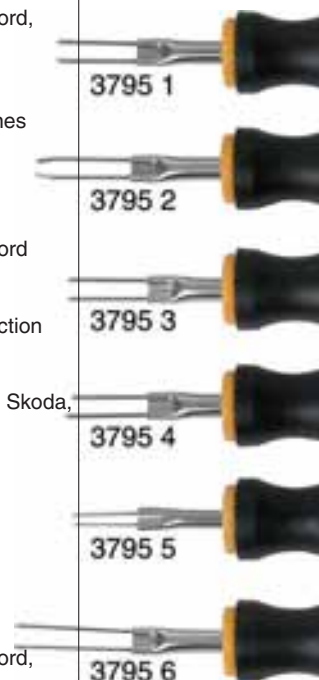


| Article No. | Article Description | QTY |
|-------------|---------------------|-------|
| 3783 10 | BODY PLUG 10MM | g 100 |
| 3783 12 | BODY PLUG 12MM | g 100 |
| 3783 14 | BODY PLUG 14MM | g 100 |
| 3783 16 | BODY PLUG 16MM | g 100 |
| 3783 18 | BODY PLUG 18MM | g 100 |
| 3783 20 | BODY PLUG 20MM | g 100 |
| 3783 22 | BODY PLUG 22MM | 20 |
| 3783 25 | BODY PLUG 25MM | 20 |
| 3783 30 | BODY PLUG 30MM | g 100 |

| Technical Data | | |
|----------------|---------------|-----------|
| Art. No. | For hole-Ø mm | h mm |
| 3783 10 | 10 | 0,8 - 2,0 |
| 3783 12 | 12 | 0,8 - 2,0 |
| 3783 14 | 14 | 0,8 - 2,0 |
| 3783 16 | 16 | 0,8 - 2,0 |
| 3783 18 | 18 | 0,8 - 2,0 |
| 3783 20 | 20 | 0,8 - 2,0 |
| 3783 22 | 22 | 0,8 - 2,0 |
| 3783 25 | 25 | 0,8 - 2,0 |
| 3783 30 | 30 | 0,8 - 2,0 |

Spade Extraction Tool for Cable Connectors ECO

| Technical Data | | | |
|----------------|---------------------------|---------------------------------------------------------------------------------------------------|-----------------------------------------------------------------------------------------------------------------------------------------------------------------------------------------------------|
| Art. No. | Spade widthx Web width mm | For use with contactns | For use on vehicles |
| 3795 1 | 4,7 x 0,8 | Flat male contacts Junior-Power-Timer Standard-Power-Timer 2,8/3,3 mm, Junior-Timer | Passenger cars: BMW, VW/Audi, Opel, Ford, Daimler, Peugeot, Porsche, Skoda, Seat, Saab, Jaguar u.a. Trucks: Daimler, Deutz, Fendt Volvo, construction and agricultural machines |
| 3795 2 | 4,5 x 0,7 | Various channel entry widths in housing | Passenger cars: Opel, VW/Audi, Daimler, Ford |
| 3795 3 | 5,0 x 0,9 | Flat male contacts Junior-Power-Timer Standard-Power-Timer 5,8/6,3 mm VF-contacts 6,3 | Passenger cars: BMW, VW/Audi, Opel, Ford Peugeot, Porsche, Daimler, Skoda, Seat u.a. Trucks: Deutz, Kässbohrer, MAN, construction and agricultural machines |
| 3795 4 | 4,7 x 0,8 | Standard-Power-Timer Junior-Power-Timer with asymmetric snap-in pin 2,8 mm | Passenger cars: VW/Audi, Opel, Renault, Skoda, Ford, Saab Truck: Iveco, Renault |
| 3795 5 | 3,0 x 0,5 | Flachsteckkontakte Micro-Timer II and III, DBGM | PKW: VW/Audi, Porsche, Opel, Daimler, Skoda, Seat, BMW, Saab, Ford, Jaguar, Renault Truck: MAN, Renault, Volvo |
| 3795 6 | 4,6 x 0,8 | Flat male contacts Junior-Power-Timer Standard-Power-Timer 1,5 and 2,8 mm | Passenger cars: BMW, VW/Audi, Opel, Ford, Daimler, Peugeot, Porsche, Skoda, Seat, Saab, Jaguar Truck: Daimler, Deutz, Fendt, |



| Article No. | Article Description | QTY |
|-------------|---------------------|-----|
| 3795 1 | 1 ECO SPADE TOOL | 1 |
| 3795 2 | 2 ECO SPADE TOOL | 1 |
| 3795 3 | 3 ECO SPADE TOOL | 1 |
| 3795 4 | 4 ECO SPADE TOOL | 1 |
| 3795 5 | 5 ECO SPADE TOOL | 1 |
| 3795 6 | 6 ECO SPADE TOOL | 1 |

Hook Extraction Tool for Cable Connectors ECO

| Technical Data | | | |
|----------------|--------------|-----------------------|-------------------------------------------------------------|
| Art. No. | Web width mm | For use with contacts | For use on vehicles |
| 3795 13 | 1,9 x 1,0 | Secondary lock | Passenger cars: Ford, Porsche, Jaguar, VW/Audi, Opel |



| Article No. | Article Description | QTY |
|-------------|-----------------------------|-----|
| 3795 13 | 13 ECO HOOK EXTRACTION TOOL | 1 |

Flat-Pin Tools for Cable Connectors ECO

| Technical Data | | | |
|----------------|--------------|---------------------------------------------------------------------------------------------|-----------------------------------------------------------------------------------------------------------------------------------------------------------------|
| Art. No. | Web width mm | For use with contacts | For use on vehicles |
| 3795 7 | 1,8 x 1,0 | Flat male contacts in housing with release channel 1.6 mm wide Ducon, Junior-Power-Timer | Passenger cars: BMW, Ford, Honda, Daimler, Opel, Porsche, Saab, Skoda, Seat, Toyota, VW/Audi, Jaguar Trucks: Atlas, Fendt, Iveco, Scania |
| 3795 8 | 3,0 x 1,0 | For detaching secondary locks Positive lock connector 6.3 | Passenger cars: Ford, Daimler, Opel, VW/Audi, Peugeot, Jaguar |
| 3795 9 | 1,0 x 1,0 | Modu IV, Micro-Timer I, soldered round male connectors Metri Pack Sleeves 150 and 280 | Passenger cars: Ford, Daimler, Opel, Peugeot, VW/Audi, Jaguar, Fiat, Mazda |



| Article No. | Article Description | QTY |
|-------------|---------------------|-----|
| 3795 7 | 7 ECO FLAT-PIN TOOL | 1 |
| 3795 8 | 8 ECO FLAT-PIN TOOL | 1 |
| 3795 9 | 9 ECO FLAT-PIN TOOL | 1 |

Pin-Type Tool for Cable Connectors

| Technical Data | | | |
|----------------|---------------------------------------|-----------------------------------------------|--------------------------------------------------------------------------------------------------------------------------------------------------------------------------------------------|
| Art. No. | Sleeve length x Ø x wall thickness mm | For use with contacts | For use on vehicles |
| 3795 10 | 30 x 3,30 x 0,30 | Round contacts 1.6 mm Universal-MATE-N-LOK | Passenger cars: VW/Audi, BMW, Porsche, Daimler, Opel Trucks: Atlas, John-Deere, Kässbohrer, MAN, Daimler, Renault, Scania, busses, construction and agricultural machines |
| 3795 11 | 33 x 4,40 x 0,30 | Round contacts 2.5 mm | Passenger cars: BMW, Porsche, Skoda, Seat, Daimler, Saab, Jaguar, Trucks: Fendt, John-Deere, MAN, Daimler |
| 3795 12 | 30 x 5,00 x 0,30 | Round contacts 3.5 mm 140 MATE-N-LOK | Passenger cars: VW/Audi, BMW, Daimler, Opel Trucks: DAF, Iveco, Kässbohrer, MAN, Daimler, Scania, Volvo, busses, construction and agricultural machines |



| Article No. | Article Description | QTY |
|-------------|----------------------|-----|
| 3795 10 | 10 ECO PIN-TYPE TOOL | 1 |
| 3795 11 | 11 ECO PIN-TYPE TOOL | 1 |
| 3795 12 | 12 ECO PIN-TYPE TOOL | 1 |

Set of Extraction Tools ECO

- For releasing electronic plugs
- 13-part in plastic case Art. No. 4415 12 25 1 with VAROsoft contoured lining Art. No.9026 718

| Article No. | Article Description | QTY |
|-------------|--------------------------------|-----|
| 3795 90 | ECO-SET EXTRACT.TOOL UNIVERSAL | 1 |

Contents:

- 1x Art. No. 3795 1 Spade extraction tool ECO 1
- 1x Art. No. 3795 2 Spade extraction tool ECO 2
- 1x Art. No. 3795 3 Spade extraction tool ECO 3
- 1x Art. No. 3795 4 Spade extraction tool ECO 4
- 1x Art. No. 3795 5 Spade extraction tool ECO 5
- 1x Art. No. 3795 6 Spade extraction tool ECO 6
- 1x Art. No. 3795 7 Flat-pin tool ECO 7
- 1x Art. No. 3795 8 Flat-pin tool ECO 8
- 1x Art. No. 3795 9 Flat-pin tool ECO 9
- 1x Art. No. 3795 10 Pin-type tool ECO 10
- 1x Art. No. 3795 11 Pin-type tool ECO 11
- 1x Art. No. 3795 12 Pin-type tool ECO 12
- 1x Art. No. 3795 13 Pin-type tool ECO 13



Spade Extraction Tools for Cable Connectors

| Technical Data | | | |
|----------------|----------------------------|---------------------------------------------------------------------------------------------------|--------------------------------------------------------------------------------------------------------------------------------------------------------------------------------------------------------------------------|
| Art. No. | Spade width x web width mm | For use with contacts | For use on vehicles |
| 3794 100 | 4.7 x 0.8 | Flat male contacts Junior-Power-Timer Standard-Power-Timer 2.8/3.3 mm, Junior-Timer | Passenger cars: BMW, VW/Audi, Opel, Ford, Daimler-Crysler, Peugeot, Porsche, Skoda, Seat, Saab, Jaguar and more Trucks: Daimler-Crysler, Deutz, Fendt Volvo, construction and agricultural machinery |
| 3794 105 | 4.5 x 0.7 | Various channel entry widths in housing | Passenger cars: Opel, VW/Audi, Daimler-Crysler, Ford |
| 3794 110 | 5.0 x 0.9 | Flat male contacts Junior-Power-Timer Standard-Power-Timer 5.8/6.3 mm VF contacts 6.3 | Passenger cars: BMW, VW/Audi, Opel, Ford Peugeot, Porsche, Daimler-Crysler, Skoda, Seat and more Trucks: Deutz, Kässbohrer, MAN, construction and agricultural machinery |
| 3794 140 | 4.7 x 0.8 | Standard-Power-Timer Junior-Power-Timer with asymmetrical catch lugs 2.8 mm | Passenger cars: VW/Audi, Opel, Renault, Skoda, Ford, Saab Truck: Iveco, Renault |
| 3794 170 | 3.0 x 0.5 | Flat male contacts Micro-Timer II and III, DBGM | Passenger cars: VW/Audi, Porsche, Opel, Daimler-Crysler, Skoda, Seat, BMW, Saab, Ford, Jaguar, Renault Trucks: MAN, Renault, Volvo |
| 3794 182 | 2.9 x 0.55 | Flat male contacts two asymmetrical catch lugs | Passenger cars: VW/Audi, Ford |
| 3794 250 | 4.6 x 0.8 | Flat male contacts Junior-Power-Timer Standard-Power-Timer 1.5 and 2.8 mm | Passenger cars: BMW, VW/Audi, Opel, Ford, Daimler-Crysler, Peugeot, Porsche, Skoda, Seat, Saab, Jaguar u.a. Truck: Daimler-Crysler, Deutz, Fendt, |
| 3794 326 | 6.0 x 1.0 | Sido flat male contacts with 2, 4 and 6 catch lugs (Daimler-Crysler fuse housing) | Passenger cars: Daimler-Crysler, VW/Audi |
| 3794 370 | 10.0 x 1.5 | Flat male contacts 7.9 mm Maxi-Power-Timer, DGBM | Passenger cars: Daimler-Crysler, BMW, Porsche, Opel, VW/Audi, Ford Truck: Volvo |



| Article No. | Article Description | QTY |
|-------------|---------------------|-----|
| 3794 100 | SPADE TOOL 100 | 1 |
| 3794 105 | SPADE TOOL 105 | 1 |
| 3794 110 | SPADE TOOL 110 | 1 |
| 3794 140 | SPADE TOOL 140 | 1 |
| 3794 170 | SPADE TOOL 170 | 1 |
| 3794 182 | SPADE TOOL 182 | 1 |
| 3794 250 | SPADE TOOL 250 | 1 |
| 3794 326 | SPADE TOOL 326 | 1 |
| 3794 370 | SPADE TOOL 370 | 1 |

Flat-Pin Tools for Cable Connectors

Technical Data

| Art. No. | Web width mm | For use with contacts | For use on vehicles |
|----------|--------------|-----------------------------------------------------------------------------------------------------------------------------------------------------------------------------------------------------|-------------------------------------------------------------------------------------------------------------------------------------------------------------------|
| 3794 400 | 1.6 x 1.0 | Flat male contacts in housing with release channel 1.6 mm wide Ducon, Junior-Power-Timer | Passenger cars: BMW, Ford, Honda, Daimler-Crysler, Opel, Porsche, Saab, Skoda, Seat, Toyota, VW/Audi, Jaguar Trucks: Atlas, Fendt, Iveco, Scania |
| 3794 410 | 1.9 x 1.0 | Flat male contacts in housing with release channel 1.9 mm wide Standard-Timer 5.8 mm | Passenger cars: BMW, Daimler-Crysler, Ford, Opel VW/Audi, Porsche, Jaguar and more Trucks: MAN |
| 3794 420 | 2.7 x 1.0 | Flat male contacts in housing with release channel 2.8 mm wide Fastin-Faston 2.8 Fastin-Faston 4.8 Fastin-Faston 6.3 Flat female connector, decade plug, housings for female connectors | Passenger cars: Daimler-Crysler, BMW, Peugeot, Porsche, Jaguar, Opel, VW/Audi, Ford Truck and goods vehicle |
| 3794 425 | 3.0 x 1.0 | For detaching secondary locks Positive lock connectors 6.3 | Passenger cars: Ford, Daimler-Crysler, Opel, VW/Audi, Peugeot, Jaguar |
| 3794 592 | 0.6 x 1.0 | | Passenger cars: Opel, Peugeot |
| 3794 595 | 1.0 x 1.0 | Modu IV, Micro-Timer I, soldered round male connectors, Metri Pack sleeves 150 and 280 | Passenger cars: Ford, Daimler-Crysler, Opel, Peugeot, VW/Audi, Jaguar, Fiat, Mazda |



| Article No. | Article Description | QTY |
|-------------|---------------------|-----|
| 3794 400 | FLAT PIN TOOL 400 | 1 |
| 3794 410 | FLAT PIN TOOL 410 | 1 |
| 3794 420 | FLAT PIN TOOL 420 | 1 |
| 3794 425 | FLAT PIN TOOL 425 | 1 |
| 3794 592 | FLAT PIN TOOL 592 | 1 |
| 3794 595 | FLAT PIN TOOL 595 | 1 |

Hook Extraction Tool for Cable Connectors

Technical Data

| Art. No. | Web width mm | For use with contacts | For use on vehicles |
|----------|--------------|-----------------------|-------------------------------------------------------------|
| 3794 910 | 1.6 x 1.0 | Secondary lock | Passenger cars: Ford, Porsche, Jaguar, VW/Audi, Opel |



| Article No. | Article Description | QTY |
|-------------|--------------------------|-----|
| 3794 910 | HOOK EXTRACTION TOOL 910 | 1 |

Pin-Type Extraction Tool for Cable Connectors

Technical Data

| Art. No. | Sleeve length x wall thickness mm | For use with contacts | For use on vehicles |
|----------|-----------------------------------|-----------------------------------------------|------------------------------------------------------------------------------------------------------------------------------------------------------------------------------------------------------------|
| 3794 765 | 30 x 3.30 x 0.20 | Round contacts 1.6 mm Universal MATE-N-LOK | Passenger cars: VW/Audi, BMW, Porsche, Daimler-Crysler, Opel Trucks: Atlas, John-Deere, Kässbohrer, MAN, Daimler-Crysler, Renault, Scania, busses, construction and agricultural machines |
| 3794 795 | 33 x 4.40 x 0.20 | Round contacts 2.5 mm | Passenger cars: BMW, Porsche, Skoda, Seat, Daimler-Crysler, Saab, Jaguar, Trucks: Fendt, John-Deere, MAN, Daimler-Crysler |
| 3794 805 | 30 x 5.00 x 0.20 | Round contacts 3.5 mm 140 MATE-N-LOK | Passenger cars: VW/Audi, BMW, Daimler-Crysler, Opel Trucks: DAF, Iveco, Kässbohrer, MAN, Daimler-Crysler, Scania, Volvo, busses, construction and agricultural machines |
| 3794 815 | 34 x 6.50 x 0.20 | Round contacts 4.0 mm ABS | Trucks: DAF, Iveco, Kässbohrer, MAN, Daimler-Crysler, Scania, Volvo, busses, construction and agricultural machines |



| Article No. | Article Description | QTY |
|-------------|--------------------------------|-----|
| 3794 765 | PIN-TYPE TOOL 765 | 1 |
| 3794 765 1 | REPLAC.SLEEVE F.PIN-TYPE T.765 | 1 |
| 3794 795 | PIN-TYPE TOOL 795 | 1 |
| 3794 795 1 | REPLAC.SLEEVE F.PIN-TYPE T.795 | 1 |
| 3794 805 | PIN-TYPE TOOL 805 | 1 |
| 3794 805 1 | REPLAC.SLEEVE F.PIN-TYPE T.805 | 1 |
| 3794 815 | PIN-TYPE TOOL 815 | 1 |
| 3794 815 1 | DEMOUN.SLEEVE F.PIN-TYPE T.815 | 1 |
| 3794 815 2 | MOUNT.SLEEVE F.PIN-TYPE T.815 | 1 |

Set of Extraction Tools

| Article No. | Article Description | QTY |
|-------------|--------------------------------|-----|
| 3794 1 | EXTRACTION TOOL UNIVERSAL CASE | 1 |
| 3794 2 | EXTRACTION TOOL SET CASE BMW | 1 |
| 3794 3 | EXTRACTION TOOL SET CASE FORD | 1 |
| 3794 4 | EX.TOOL SET CASE MERCEDES-BENZ | 1 |
| 3794 5 | EXTRACTION TOOL SET CASE OPEL | 1 |
| 3794 9 | EXTRACTION TOOL SET CASE VW | 1 |

Contents, part no. 3794 1:

ID-No. 100, 170, 250, 410, 425, 450, 595, 765, 795, 910

Contents, part no. 3794 2:

ID-No. 110, 170, 182, 250, 400, 420, 425, 765, 795, 805

Contents, part no. 3794 3:

ID-No. 100, 102, 112, 250, 410, 420, 425, 460, 595, 910

Contents, part no. 3794 4:

ID-No. 110, 170, 240, 320, 326, 370, 400, 425, 765, 910

Contents, part no. 3794 5:

ID-No. 110, 140, 170, 195, 400, 410, 425, 592, 765, 910

Contents, part no. 3794 9:

ID-No. 100, 105, 140, 170, 182, 370, 400, 425, 430, 765



Voltage Tester 40

Technical Data

| | |
|-------------------------------|-------------------------------------|
| Rated voltage range: | 6 - 400 V |
| Voltage display: | 6 V, 12 V, 24 V, 50 V, 230 V, 400 V |
| Safety standard: | IEC/EN61010-1 |
| Over-voltage category: | CAT III 1000 V |
| TÜV/GS | |

| Article No. | Article Description | QTY |
|-------------|--------------------------|-----|
| 3791 1 | VOLTAGE TESTER 40 6-400V | 1 |



Car Voltage Tester

- Voltage tester for all automotive electrical applications
- Particularly suitable for trouble-shooting on electrical components

Technical Data

| | |
|-------------------------|---------------------------|
| Voltage range: | 6-48 V |
| Voltage display: | 12, 24, 48 V and polarity |
| Safety standard: | IEC/EN 61010-1 |
| Cable length: | 130 cm |
| TÜV/GS | |

| Article No. | Article Description | QTY |
|-------------|--------------------------|-----|
| 3791 2 | CAR VOLTAGE TESTER 6-48V | 1 |



Multifunction Tester

- For testing the conductability of light bulbs, switches, relays, cables and conductions or fuses etc.
- For checking the phase, neutral and earth conductors in sockets
- Polarity check of batteries and semi-conductors
- Adequate for 12 V - 250 V AC

| Article No. | Article Description | QTY |
|-------------|--------------------------------|-----|
| 3791 3 | VOLTAGE TESTER MULTIFUNCTIONAL | 1 |



Car Test Lamp 6-24 V

- With screw-off protective cap, 6-24 V

| Article No. | Article Description | QTY |
|-------------|--------------------------------|------|
| 3791 4 | TEST LAMP 6-24V | 1 |
| 3791 4 1 | REPL.LA.24V 5W 8X31MM F.3791 4 | e 10 |



Voltage Tester, Single Pole

- For slotted head screws
- Version DIN 57860 Part 6 and VDE 0680/6 for 150-250 V
- Blade width 3 mm
- Blade thickness 0.5 mm
- Blade length 60 mm

| Article No. | Article Description | QTY |
|-------------|------------------------------|-----|
| 4264 3 | VOLTAGE TESTER DIN 57860 3MM | 1 ü |



GS Voltage Tester

- Voltage tester in compliance with VDE 0680/6
- 150-250 V (glow tube not replaceable)
- Blade width 3 mm

| Article No. | Article Description | QTY |
|-------------|---------------------|-----|
| 4264 31 | VOLT.TESTER GS 3MM | 1 |



Automatic Cable Connector Crimping Pliers

- Double crimping in one operation
- Quick pressure adjustment
- Does not open until required pressure is reached

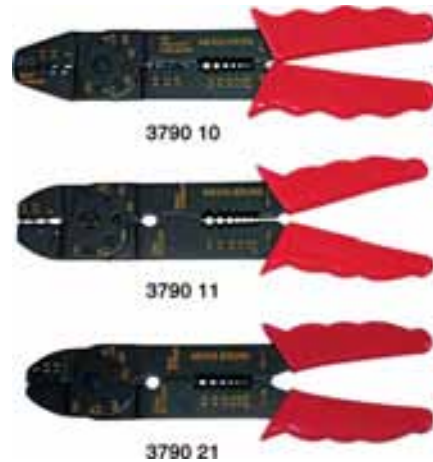


| Article No. | Article Description | QTY |
|-------------|--------------------------------|-----|
| 3790 1 | CRIMP TOOL FOR INSULATED CNCTR | 1 |
| 3790 2 | CRIMP TOOL FOR UN_INSUL_CNCTR. | 1 |
| 3790 20 | PLIERS F UNINSUL CON.0.1-1.5MM | 1 |

| Technical Data | |
|----------------|---------------------------------------------------------|
| Art. No. | Application range |
| 3790 1 | Insulated cable connectors 0.75 - 6.0 mm ² |
| 3790 2 | Uninsulated cable connectors 0.75 - 6.0 mm ² |
| 3790 20 | Uninsulated cable connectors 0.1 - 1.5 mm ² |

Crimping Pliers

- With cable cutter and stripping mechanism
- Screw cutter with thread M 2.6 - M 5



| Article No. | Article Description | QTY |
|-------------|------------------------------|-----|
| 3790 10 | CRIMP PLIERS UNIVERSAL | 1 |
| 3790 11 | CRIMP PLIERS INSULATED 900 | 1 z |
| 3790 21 | CRIMP PLIERS UNINSULATED 700 | 1 |

| Technical Data | |
|----------------|--------------------------------------------------------|
| Art. No. | Application range |
| 3790 10 | Insulated and Uninsulated cable connector |
| 3790 11 | Insulated cable connector 0.75 - 6.0 mm ² |
| 3790 21 | Uninsulated cable connector 0.75 - 6.0 mm ² |

Crimping Pliers Set

- With 5 replaceable jaws

Insulated cable lugs:

- AWG 22-18 / 16-14 / 12-10
- DIN 0,5-1,0 / 1,5-2,5 / 4-6 mm²

Closed, non-insulated cable lugs:

- AWG 20-18 / 16-14 / 12-10 / 8
- DIN 1.5 / 2.5 / 6 / 10 mm²
- JIS 1.25 / 2 / 5.5 / 8 mm²

Open, non-insulated cable lugs:

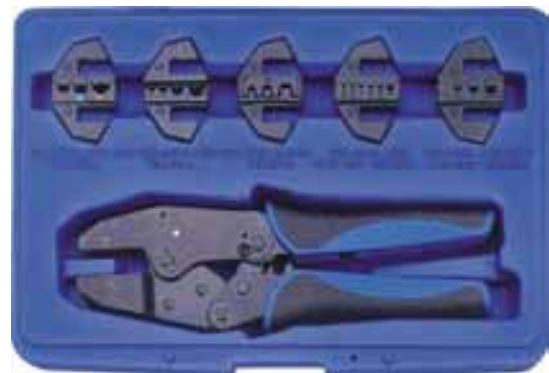
- AWG 22-18 / 16-14 / 12-10
- DIN 0.5-1.0 / 1.5-2.5 / 4-6 mm²

Small, insulated multicore cable ends:

- AWG 22-18 / 16-14 / 12-10
- DIN 0.5-1.0 / 1.5-2.5 / 4-6 mm²

Big, insulated multicore cable ends:

- AWG 22 / 20 / 18 / 16 / 14 / 12
- DIN 0.5 / 0.75 / 1.0 / 1.5 / 2.5 / 4.0 mm²



| Article No. | Article Description | QTY |
|-------------|--------------------------------|-----|
| 3790 13 | CRI.PLIE.SET W. 5PAIRS OF JAWS | 1 |

Automatic Wire Stripper with Wire Cutter

- Adjusts automatically to conductor cross-section
- With adjustable length stop (8-12 mm)
- Easily accessible wire cutter (up to max. 2 mm dia.)



Technical Data

Cable cross-section: 0.2 - 6 mm²

| Article No. | Article Description | QTY |
|-------------|--------------------------------|-----|
| 3790 31 | AUTOMATIC WIRE STRIPPER/CUTTER | 1 |

Automatic Wire Stripper

- Automatically adjusts cutting depth to insulation thickness
- Strips in one operation without damaging the conductor
- With wire cutter and spring for an exact cable guidance
- With crimping mechanism for insulated and uninsulated conductor end sleeves



Technical Data

Cable cross-section: 0.13-6.0 mm²

| Article No. | Article Description | QTY |
|-------------|--------------------------|-----|
| 3790 3 | AUTOMATIC WIRE STRIPPERS | 1 z |

Multicore Cable End Pliers with Lock System

- Locking device for correct and complete crimping
- Crimping form in compliance with DIN 46228



Technical Data

| Art. No. | Crimping range | Length | Crimping direction |
|----------|---------------------------|--------|--------------------|
| 3790 5 | 0.5 - 2.5 mm ² | 200 mm | front and sidewise |
| 3790 6 | 4 - 16 mm ² | 200 mm | sidewise |

| Article No. | Article Description | QTY |
|-------------|--------------------------------|-----|
| 3790 5 | MULT.C.END PL.W.LOC.DE.0.5-2.5 | 1 |
| 3790 6 | MULTI.C.END PL.W.LOCK.DEV.4-16 | 1 |

Multicore Cable End Pliers

Technical Data

Crimping range: 0.5 - 16 mm²
 Crimping direction: lengthwise



| Article No. | Article Description | QTY |
|-------------|--------------------------------|-----|
| 3790 4 | MULTICORE CABLE END PLIERS 143 | 1 s |

Electro-Multifunctional Pliers

- Ergonomic anti-slip soft handle
- 3 functions: cutting, stripping, pressing
- Inductively hardened precision cutting for finest wires
- Stripping of 1.5mm² to 2.5mm² for single and stranded wires



| Article No. | Article Description | QTY |
|-------------|------------------------------|-----|
| 4010 190 5 | ELEC.SIDE/INS.PLIER 190MM 5* | 1 s |

Electrician's Needle Nosed Pliers

- 4 functions: gripping, cutting, stripping, crimping
- Strips conductors from 1.5 mm² to 2.5 mm²



| Article No. | Article Description | QTY |
|-------------|--------------------------------|-----|
| 3790 160 | ELEC.NEEDLE-NOS./INS.PL. 160MM | 1 s |

Electrician's Cable Knife

- Working range Ø 8 - 28 mm
- With hook blade
- Spare blade inside the handle
- Especially for cables moist atmospheres
- Dimensions: LxWxH 170 x 30 mm x 20 mm
- Weight: 87 g



| Article No. | Article Description | QTY |
|-------------|---------------------------|-----|
| 3790 53 | ELECTR.CABLE KNIFE NO.28H | 1 |

Electrician's Cable Jacket Remover

Part No. 3790 49:

- For fast and simple removal of jacket on all common coaxial cable Ø 4.8 – 7.5 mm, including PVC-Flex 3 x 0.75 mm²
- With 5 -20 mm length scale
- Length 100 mm
- Ø 15 mm
- Weight: 23 g

Part No. 3790 50:

- Inner blade for removing jacket on cables with Ø 8 - 13 mm and stripping insulation from conductors with sizes of 0.2 - 4.0 mm²
- No adjustment required
- With longitudinal cutter and stripping mechanism
- Length 125 mm
- Ø 25 mm
- Weight: 48.5 g



| Article No. | Article Description | QTY |
|-------------|----------------------------|-----|
| 3790 49 | CABLE JACKET REMOVER | 1 |
| 3790 50 | CABLE JACKET REMOVER NO.15 | 1 |

Circuit Breakers Standard 1170

- Single-pole, thermal-type automotive circuit breakers, miniature design with coloured manual release and reset button
- With quick release mechanism and independent trip for reliable switching
- Can be plugged into automotive flat fuse holders
- For fusing vehicle electrical systems and devices in cars, trucks, busses, boats and construction machines
- Pushbutton for switching electric circuit on and off
- Ideal for installation and repair of electrical systems
- Saves fuses when searching for short-circuits

Art. No. 3817V 91

- 7-piece in VAROsoft system tray



| Article No. | Article Description | QTY |
|-------------|--------------------------------|-----|
| 3817V 91 | CIR.BREAK.SET STAND1170 12/24V | 1 |
| 3817 5 | CIRCUIT BREAKER STAND.1170 5A | 1 |
| 3817 7 5 | CIRCUIT BREAKER STAND1170 7.5A | 1 |
| 3817 10 | CIRCUIT BREAKER STAND.1170 10A | 1 |
| 3817 15 | CIRCUIT BREAKER STAND.1170 15A | 1 |
| 3817 20 | CIRCUIT BREAKER STAND.1170 20A | 1 |
| 3817 25 | CIRCUIT BREAKER STAND.1170 25A | 1 |
| 3817 30 | CIRCUIT BREAKER STAND.1170 30A | 1 |

Art. No. 3817V 91:

| Art. No. | Art. Description | Quantity |
|----------|--------------------------------|----------|
| 3817 5 | CIRCUIT BREAKER STAND.1170 5A | 1 |
| 3817 7 5 | CIRCUIT BREAKER STAND1170 7.5A | 1 |
| 3817 10 | CIRCUIT BREAKER STAND.1170 10A | 1 |
| 3817 15 | CIRCUIT BREAKER STAND.1170 15A | 1 |
| 3817 20 | CIRCUIT BREAKER STAND.1170 20A | 1 |
| 3817 25 | CIRCUIT BREAKER STAND.1170 25A | 1 |
| 3817 30 | CIRCUIT BREAKER STAND.1170 30A | 1 |

Technical Data

Rated voltage: 12 / 24 Volt
 Dimensions: 52 x 10 x 22 mm

Caution:

The reset button may not be blocked. Reset button and manual release may only be used during current-free state!

Circuit Breakers Standard 1616

- Single-pole, thermal-type automotive circuit breakers, miniature design with coloured manual release and reset button
- With quick release mechanism and independent trip for reliable switching
- Can be plugged into automotive flat fuse holders
- For fusing vehicle electrical systems and devices in cars, trucks, busses, boats and construction machines
- Pushbutton for switching electric circuit on and off
- Ideal for installation and repair of electrical systems
- Saves fuses when searching for short-circuits

Art. No. 3817V 92

- 7-piece VAROsoft system tray



| Article No. | Article Description | QTY |
|-------------|--------------------------------|-----|
| 3817V 92 | SM CIRCUIT BREAKER 1616 | 1 |
| 3817 5 1 | CIRCUIT BREAKER STAND.1616 5A | 1 |
| 3817 7 5 1 | CIRCUIT BREAKER STAND1616 7.5A | 1 |
| 3817 10 1 | CIRCUIT BREAKER STAND.1616 10A | 1 |
| 3817 15 1 | CIRCUIT BREAKER STAND.1616 15A | 1 |
| 3817 20 1 | CIRCUIT BREAKER STAND.1616 20A | 1 |
| 3817 25 1 | CIRCUIT BREAKER STAND.1616 25A | 1 |
| 3817 30 1 | CIRCUIT BREAKER STAND.1616 30A | 1 |

Art. No. 3817V 92:

| Art. No. | Art. Description | Quantity |
|------------|--------------------------------|----------|
| 3817 5 1 | CIRCUIT BREAKER STAND.1616 5A | 1 |
| 3817 7 5 1 | CIRCUIT BREAKER STAND1616 7.5A | 1 |
| 3817 10 1 | CIRCUIT BREAKER STAND.1616 10A | 1 |
| 3817 15 1 | CIRCUIT BREAKER STAND.1616 15A | 1 |
| 3817 20 1 | CIRCUIT BREAKER STAND.1616 20A | 1 |
| 3817 25 1 | CIRCUIT BREAKER STAND.1616 25A | 1 |
| 3817 30 1 | CIRCUIT BREAKER STAND.1616 30A | 1 |

Technical Data

Rated voltage: 12 / 24 Volt
 Dimensions: 36 x 6 x 20 mm

Caution:

The reset button may not be blocked. Reset button and manual release may only be used during current-free state!

Circuit Breaker Mini 1626

- Single-pole, thermal-type automotive circuit breaker, miniature design coloured manual release and reset button
- With quick release mechanism and independent trip for reliable switching
- Can be plugged into automotive flat fuse holders
- For fusing vehicle electrical systems and devices in cars, trucks, busses, boats and construction machines
- Pushbutton for switching electric circuit on and off
- Ideal for installation and repair of electrical systems
- Saves fuses when searching for short-circuits

Art. No. 3817V 94:

- 7-part in VAROsoft system tray

| Article No. | Article Description | QTY |
|-------------|--------------------------------|-----|
| 3817V 94 | CIRCUIT BREAK.MINI 1626 12/24V | 1 |
| 3817 5 3 | CIRCUIT BREAKER MINI 1626 5A | 1 |
| 3817 7 5 3 | CIRCUIT BREAKER MINI 1626 7.5A | 1 |
| 3817 10 3 | CIRCUIT BREAKER MINI 1626 10A | 1 |
| 3817 15 3 | CIRCUIT BREAKER MINI 1626 15A | 1 |
| 3817 20 3 | CIRCUIT BREAKER MINI 1626 20A | 1 |
| 3817 25 3 | CIRCUIT BREAKER MINI 1626 25A | 1 |
| 3817 30 3 | CIRCUIT BREAKER MINI 1626 30A | 1 |

Art. No. 3817V 94:

| Article No. | Article Description | Quantity |
|-------------|--------------------------------|----------|
| 3817 5 3 | CIRCUIT BREAKER MINI 1626 5A | 1 |
| 3817 7 5 3 | CIRCUIT BREAKER MINI 1626 7.5A | 1 |
| 3817 10 3 | CIRCUIT BREAKER MINI 1626 10A | 1 |
| 3817 15 3 | CIRCUIT BREAKER MINI 1626 15A | 1 |
| 3817 20 3 | CIRCUIT BREAKER MINI 1626 20A | 1 |
| 3817 25 3 | CIRCUIT BREAKER MINI 1626 25A | 1 |
| 3817 30 3 | CIRCUIT BREAKER MINI 1626 30A | 1 |



Technical Data

Rated voltage: 12 / 24 Volt
Dimension: 37 x 7 x 13 mm

Caution:

The reset button may not be blocked. Reset button and manual release may only be used during current-free state!

Circuit Breaker Set Standard 12 / 24 V Automotive

- 14-piece in plastic case Art. No. 4415 14 16 1 with VAROsoft system tray Art. No. 9026 91 and Art. No. 9026 92

| Article No. | Article Description | QTY |
|-------------|-------------------------------|-----|
| 3817 90 | CIRC.BREAKER SET STAND.12/24V | 1 |

Contents:

| Article No. | Article Description | Quantity |
|--------------|--------------------------------|----------|
| 3817 5 | CIRCUIT BREAKER STAND.1170 5A | 1 |
| 3817 5 1 | CIRCUIT BREAKER STAND.1616 5A | 1 |
| 3817 7 5 | CIRCUIT BREAKER STAND1170 7.5A | 1 |
| 3817 7 5 1 | CIRCUIT BREAKER STAND1616 7.5A | 1 |
| 3817 10 | CIRCUIT BREAKER STAND.1170 10A | 1 |
| 3817 10 1 | CIRCUIT BREAKER STAND.1616 10A | 1 |
| 3817 15 | CIRCUIT BREAKER STAND.1170 15A | 1 |
| 3817 15 1 | CIRCUIT BREAKER STAND.1616 15A | 1 |
| 3817 20 | CIRCUIT BREAKER STAND.1170 20A | 1 |
| 3817 20 1 | CIRCUIT BREAKER STAND.1616 20A | 1 |
| 3817 25 | CIRCUIT BREAKER STAND.1170 25A | 1 |
| 3817 25 1 | CIRCUIT BREAKER STAND.1616 25A | 1 |
| 3817 30 | CIRCUIT BREAKER STAND.1170 30A | 1 |
| 3817 30 1 | CIRCUIT BREAKER STAND.1616 30A | 1 |
| 4415 14 16 1 | EMPTY CASE SIZE B | 1 |



Circuit Breaker Set Standard/Mini 12/24 V Autom.

- 15-piece in plastic case Art. No. 4415 15 16 1 with VAROsoft system tray Art. No. 9026 92

| Article No. | Article Description | QTY |
|-------------|--------------------------------|-----|
| 3817 95 | CIR.BREAK.SET STAND/MINI12/24V | 1 |

Contents:

| Article No. | Article Description | Quantity |
|--------------|--------------------------------|----------|
| 3810 99 | BLADE FUSE - TESTER | 1 |
| 3817 5 1 | CIRCUIT BREAKER STAND.1616 5A | 1 |
| 3817 5 3 | CIRCUIT BREAKER MINI 1626 5A | 1 |
| 3817 7 5 1 | CIRCUIT BREAKER STAND1616 7.5A | 1 |
| 3817 7 5 3 | CIRCUIT BREAKER MINI 1626 7.5A | 1 |
| 3817 10 1 | CIRCUIT BREAKER STAND.1616 10A | 1 |
| 3817 10 3 | CIRCUIT BREAKER MINI 1626 10A | 1 |
| 3817 15 1 | CIRCUIT BREAKER STAND.1616 15A | 1 |
| 3817 15 3 | CIRCUIT BREAKER MINI 1626 15A | 1 |
| 3817 20 1 | CIRCUIT BREAKER STAND.1616 20A | 1 |
| 3817 20 3 | CIRCUIT BREAKER MINI 1626 20A | 1 |
| 3817 25 1 | CIRCUIT BREAKER STAND.1616 25A | 1 |
| 3817 25 3 | CIRCUIT BREAKER MINI 1626 25A | 1 |
| 3817 30 1 | CIRCUIT BREAKER STAND.1616 30A | 1 |
| 3817 30 3 | CIRCUIT BREAKER MINI 1626 30A | 1 |
| 4415 14 16 1 | EMPTY CASE SIZE B | 1 |



Blade Fuses Standard



| Article No. | Article Description | QTY |
|-------------|---------------------|-------|
| 3810 2 | BLADE FUSE STD 2A | f 100 |
| 3810 3 | BLADE FUSE STD 3A | f 100 |
| 3810 5 | BLADE FUSE STD 5A | f 100 |
| 3810 7.5 | BLADE FUSE STD 7.5A | f 100 |
| 3810 10 | BLADE FUSE STD 10A | f 100 |
| 3810 15 | BLADE FUSE STD 15A | f 100 |
| 3810 20 | BLADE FUSE STD 20A | f 100 |
| 3810 25 | BLADE FUSE STD 25A | f 100 |
| 3810 30 | BLADE FUSE STD 30A | f 100 |
| 3810 40 | BLADE FUSE STD 40A | f 100 |

Technical Data

| Art. No. | Colour |
|----------|--------|
| 3810 2 | grey |
| 3810 3 | violet |
| 3810 5 | beige |
| 3810 7.5 | brown |
| 3810 10 | red |
| 3810 15 | blue |
| 3810 20 | yellow |
| 3810 25 | nature |
| 3810 30 | green |
| 3810 40 | orange |

Maxi Blade Fuses



| Article No. | Article Description | QTY |
|-------------|----------------------|-----|
| 3809 20 | MAXI BLADE FUSE 20A | 20 |
| 3809 30 | MAXI BLADE FUSE 30A | 20 |
| 3809 40 | MAXI BLADE FUSE 40A | 20 |
| 3809 50 | MAXI BLADE FUSE 50A | 20 |
| 3809 60 | MAXI BLADE FUSE 60A | 20 |
| 3809 70 | MAXI BLADE FUSE 70A | 20 |
| 3809 80 | MAXI BLADE FUSE 80A | 20 |
| 3809 100 | MAXI BLADE FUSE 100A | 20 |

Technical Data

| Art. No. | Colour |
|----------|---------|
| 3809 20 | yellow |
| 3809 30 | green |
| 3809 40 | orange |
| 3809 50 | red |
| 3809 60 | blue |
| 3809 70 | brown |
| 3809 80 | natural |
| 3809 100 | violet |

Mini Blade Fuses



| Article No. | Article Description | QTY |
|-------------|----------------------|------|
| 3808 2 | MINI BLADE FUSE 2A | g 50 |
| 3808 3 | MINI BLADE FUSE 3A | g 50 |
| 3808 4 | MINI BLADE FUSE 4A | g 50 |
| 3808 5 | MINI BLADE FUSE 5A | g 50 |
| 3808 7.5 | MINI BLADE FUSE 7.5A | g 50 |
| 3808 10 | MINI BLADE FUSE 10A | g 50 |
| 3808 15 | MINI BLADE FUSE 15A | g 50 |
| 3808 20 | MINI BLADE FUSE 20A | g 50 |
| 3808 25 | MINI BLADE FUSE 25A | g 50 |
| 3808 30 | MINI BLADE FUSE 30A | g 50 |

Technical Data

| Art. No. | Colour |
|----------|---------|
| 3808 2 | grey |
| 3808 3 | violet |
| 3808 4 | pink |
| 3808 5 | beige |
| 3808 7.5 | brown |
| 3808 10 | red |
| 3808 15 | blue |
| 3808 20 | yellow |
| 3808 25 | natural |
| 3808 30 | green |

Micro Blade Fuses



| Article No. | Article Description | QTY |
|-------------|-----------------------|------|
| 3814 2 | MICRO BLADE FUSE 2A | g 50 |
| 3814 3 | MICRO BLADE FUSE 3A | g 50 |
| 3814 4 | MICRO BLADE FUSE 4A | g 50 |
| 3814 5 | MICRO BLADE FUSE 5A | g 50 |
| 3814 7.5 | MICRO BLADE FUSE 7.5A | g 50 |
| 3814 10 | MICRO BLADE FUSE 10A | g 50 |
| 3814 15 | MICRO BLADE FUSE 15A | g 50 |
| 3814 20 | MICRO BLADE FUSE 20A | g 50 |
| 3814 25 | MICRO BLADE FUSE 25A | g 50 |
| 3814 30 | MICRO BLADE FUSE 30A | g 50 |

Technical Data

| Art. No. | Colour |
|----------|---------|
| 3814 2 | grey |
| 3814 3 | violet |
| 3814 4 | rosa |
| 3814 5 | beige |
| 3814 7.5 | brown |
| 3814 10 | red |
| 3814 15 | blue |
| 3814 20 | yellow |
| 3814 25 | natural |
| 3814 30 | green |

Automotive Fuses, Assortment

- 2A - 30A = 576 pieces
- 1x Fuse removal tool

| Article No. | Article Description | QTY |
|-------------|-----------------------------|-----|
| 9000 381 | ASSORTMENT AUTOMOTIVE FUSES | 1 |
| 9000R 381 | TRAY AUTOMOTIVE FUSES | 1 |

Contents:

| Article No. | Article Description | Quantity |
|-------------|-------------------------|----------|
| 3810 1 | BLADE FUSE REMOVAL TOOL | 1 |
| 3810 2 | BLADE FUSE STD 2A | 25 |
| 3810 3 | BLADE FUSE STD 3A | 25 |
| 3810 5 | BLADE FUSE STD 5A | 25 |
| 3810 75 | BLADE FUSE STD 7.5A | 25 |
| 3810 10 | BLADE FUSE STD 10A | 50 |
| 3810 15 | BLADE FUSE STD 15A | 50 |
| 3810 20 | BLADE FUSE STD 20A | 25 |
| 3810 25 | BLADE FUSE STD 25A | 25 |
| 3810 30 | BLADE FUSE STD 30A | 25 |
| 3811 5 | AUTO.FUSE 5A YELLOW | 50 |
| 3811 8 | AUTO.FUSE 8A WHITE | 50 |
| 3811 16 | AUTO.FUSE 16A RED | 50 |
| 3811 25 | AUTO.FUSE 25A BLUE | 50 |
| 3812 2 | GLASS FUSE 2A 5.0X20 | 20 |
| 3812 5 5 | GLASS FUSE 5A 5.0X20 | 20 |
| 3812 10 | GLASS FUSE 10A 6.3X32 | 20 |
| 3812 15 | GLASS FUSE 15A 6.3X32 | 20 |
| 3812 20 | GLASS FUSE 20A 6.3X32 | 20 |



Blade Fuses

- 2A - 40A = 257 pieces
- 1x Fuse removal tool

| Article No. | Article Description | QTY |
|-------------|----------------------------|-----|
| 9000 3810 | ASSORTMENT BLADE FUSES STD | 1 |
| 9000R 3810 | TRAY BLADE FUSES | 1 |

Contents:

| Article No. | Article Description | Quantity |
|-------------|--------------------------------|----------|
| 3810 1 | BLADE FUSE REMOVAL TOOL | 1 |
| 3810 2 | BLADE FUSE STD 2A | 25 |
| 3810 3 | BLADE FUSE STD 3A | 25 |
| 3810 5 | BLADE FUSE STD 5A | 25 |
| 3810 75 | BLADE FUSE STD 7.5A | 25 |
| 3810 10 | BLADE FUSE STD 10A | 25 |
| 3810 15 | BLADE FUSE STD 15A | 25 |
| 3810 20 | BLADE FUSE STD 20A | 25 |
| 3810 25 | BLADE FUSE STD 25A | 25 |
| 3810 30 | BLADE FUSE STD 30A | 25 |
| 3810 40 | BLADE FUSE STD 40A | 25 |
| 3815 3810 | STAND.BLADE FUSE HOLD.W.CUTTER | 5 |
| 3815 3810 2 | BLADE FUSE HOLDER+CNCTR 6.3MM | 2 |



Blade Fuse Removal Tool

| Article No. | Article Description | QTY |
|-------------|-------------------------|-----|
| 3810 1 | BLADE FUSE REMOVAL TOOL | 5 |



Blade Fuse - Tester

- For the easy testing of blade fuses in fuse boxes or dismantled condition
- With removal tool
- Green colour on display = fuse is functional

| Article No. | Article Description | QTY |
|-------------|---------------------|------|
| 3810 99 | BLADE FUSE - TESTER | e 10 |



Maxi Blade Fuse Holders

- For Maxi blade fuses AGR 3809
- Can be connected together to form rows of fuses of same type

Part No. 3815 3809:

- Crimp cable connection for 4 - 6 mm² cable

Part No. 3815 3809 1

- Transparent cover for fuse holder 3815 3809

Part No. 3815 3809 2

- With 9.5 mm blades

Part No. 3815 3809 2 1

- Transparent cover for fuse holder 3815 3809 2

| Article No. | Article Description | QTY |
|---------------|--------------------------------|------|
| 3815 3809 | PLUG-IN MAXI BLADE FUSE HOLDER | z 50 |
| 3815 3809 1 | COV.F.PLUG-IN MAX.BLADE F.HOL. | z 50 |
| 3815 3809 2 | MAXI BLADE FUSE HOLDER | z 50 |
| 3815 3809 2 1 | COVER F.MAXI BLADE FUSE HOLDER | z 50 |



Standard Blade Fuse Holders

- For blade fuses AGR 3810

Part No. 3815 3810 3:

- Cable cross-section: 2.0 mm²
- Cable length: approx. 13 cm per side

Part No. 3815 3810:

- With cutting lugs for quick installation without stripping insulation

| Article No. | Article Description | QTY |
|-------------|--------------------------------------------|------|
| 3815 3810 3 | STAND.BLADE FUSE HOLDER 2.0MM ² | z 50 |
| 3815 3810 | STAND.BLADE FUSE HOLD.W.CUTTER | z 50 |



Plug-In Type Standard Blade Fuse Holders

- For standard blade fuses AGR 3810
- Blade fuse holders can be connected together to form rows of fuses of same type

Part No. 3815 3800:

- With 6.3 mm blades
- Transparent cover

Part No. 3815 3810 1:

- With permanent cable connections 1.5 mm²

Part No. 3815 3810 2:

- With 6.3 mm blades

Part No. 3815 3820:

- With crimp cable connectors for cable up to 2.5 mm²
- Gasket and black cover

| Article No. | Article Description | QTY |
|-------------|--------------------------------|------|
| 3815 3800 | BLADE FUSE HOLD.STD CPL W CNTR | z 50 |
| 3815 3810 1 | BLADE FUSE HOLDER+CABLE | z 50 |
| 3815 3810 2 | BLADE FUSE HOLDER+CNCTR 6.3MM | z 50 |
| 3815 3820 | BLADE FUSE HOLDER STD WATERPR. | z 50 |



Waterproof Blade Fuse Holders

- Flame retarding rubber

Part No. 3815 3808:

- For Mini blade fuses AGR 3808
- Cable cross-section: 3.0 mm²
- Cable length: approx. 25 cm per side

Part No. 3815 3810 4:

- For standard blade fuses AGR 3810
- Cable cross-section: 1.5 mm²
- Cable length: approx. 25 cm per side

Part No. 3815 3810 5:

- For standard blade fuses AGR 3810
- Cable cross-section: 2.5 mm²
- Cable length: approx. 25 cm per side

| Article No. | Article Description | QTY |
|-------------|--------------------------------------------|-------|
| 3815 3808 | MINI BL FUSE HOLD.WATERPR.3MM ² | ez 50 |
| 3815 3810 4 | STD BL FUSE HOLD.WATERP.1.5MM ² | ez 50 |
| 3815 3810 5 | STD BL FUSE HOLD.WATERP.2.5MM ² | ez 50 |



Power Distributor with Fuse Holder

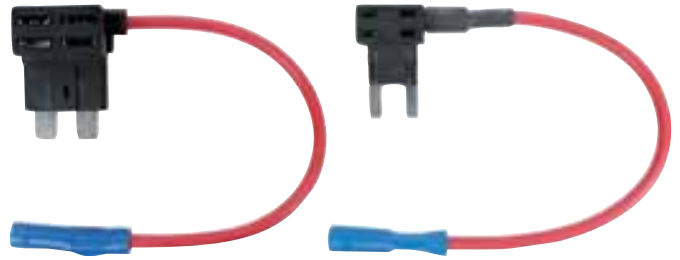
- Cable cross section: 1.3 mm²
- Cable length: 100 mm crimp connector

Art. No. 3815 3810 6:

- For standard fuses

Art. No. 3815 3808 6:

- For mini fuses



| Article No. | Article Description | QTY |
|-------------|--------------------------------|-------|
| 3815 3810 6 | STROMABZW.F.STANDARD-SICHERUNG | eü 10 |
| 3815 3808 6 | STROMABZW.F.MINI SICHERUNG | eü 10 |

Melting Fuses

- Made of plastic

| Article No. | Article Description | QTY |
|-------------|---------------------|-----|
| 3811 5 | AUTO.FUSE 5A YELLOW | 100 |
| 3811 8 | AUTO.FUSE 8A WHITE | 100 |
| 3811 10 | AUTO.FUSE 10A GREEN | 100 |
| 3811 16 | AUTO.FUSE 16A RED | 100 |
| 3811 25 | AUTO.FUSE 25A BLUE | 100 |



Fuse Holder for Melting Fuses

- With bayonet lock
- Up to max. 25A
- With screw connectors for cables up to 4 mm²

| Article No. | Article Description | QTY |
|-------------|---------------------|------|
| 3815 3811 | AUTO FUSE HOLDER | z 50 |



Glass Fuses

- Suitable for 12V and 24V
- Quick

| Article No. | Article Description | QTY |
|-------------|------------------------|------|
| 3812 1 5 20 | GLASS FUSE 1A 5.0X20 | z 50 |
| 3812 2 | GLASS FUSE 2A 5.0X20 | z 50 |
| 3812 2 6 | GLASS FUSE 2A 6.3X32 | z 50 |
| 3812 3 5 | GLASS FUSE 3A 5.0X20 | z 50 |
| 3812 5 5 | GLASS FUSE 5A 5.0X20 | z 50 |
| 3812 05 5 | GLASS FUSE 0.5A 5.0X20 | z 50 |
| 3812 5 6 | GLASS FUSE 5A 6.3X32 | z 50 |
| 3812 10 | GLASS FUSE 10A 6.3X32 | z 50 |
| 3812 10 5 | GLASS FUSE 10A 5.0X20 | z 50 |
| 3812 10 7 | GLASS FUSE 10A 7.0X32 | z 50 |
| 3812 15 | GLASS FUSE 15A 6.3X32 | z 50 |
| 3812 15 5 | GLASS FUSE 15A 5.0X20 | z 50 |
| 3812 20 | GLASS FUSE 20A 6.3X32 | z 50 |
| 3812 20 5 | GLASS FUSE 20A 5.0X20 | z 50 |
| 3812 25 6 | GLASS FUSE 25A 6.3X32 | z 50 |



Fuse Holder for Glass Fuses

- With bayonet lock
- For fuses with dimensions of 5 x 20 mm
- With screw connectors for cables up to 4 mm²

| Article No. | Article Description | QTY |
|-------------|------------------------|------|
| 3815 3812 | GLASS FUSE HOLDER 20MM | z 50 |



Buzz-Bar Fuses

| Article No. | Article Description | QTY |
|-------------|--------------------------|------|
| 3813 50 | BUZZ BAR FUSE 40X10 50 A | g 50 |
| 3813 80 | BUZZ BAR FUSE 40X10 80A | g 50 |
| 3813 100 | BUZZ BAR FUSE 40X10 100A | g 50 |

(Length x Width mm / Amperes)



Block Fuses

PGR 3806:

- Height 45 mm

PGR 3807:

- Height 30 mm

PGR 3816:

- Height 27 mm

PGR 3818:

- Height 16 mm

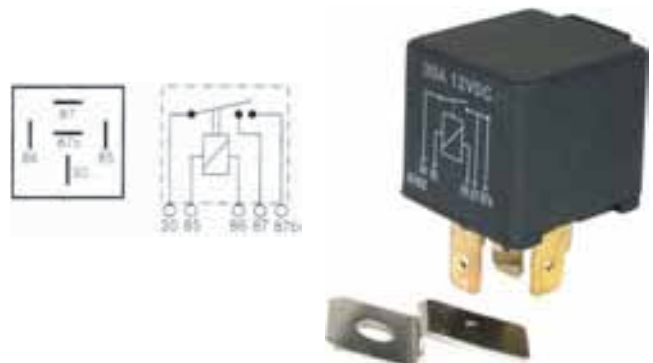
| Article No. | Article Description | QTY |
|-------------|--------------------------------|-----|
| 3806 30 | BLOCK FUSE TYPE"B" 30A PINK | 10 |
| 3806 40 | BLOCK FUSE TYPE"B" 40A GREEN | 10 |
| 3806 50 | BLOCK FUSE TYPE"B" 50A RED | 10 |
| 3806 60 | BLOCK FUSE TYPE"B" 60A YELLOW | 10 |
| 3806 70 | BLOCK FUSE TYPE"B" 70A BLUE | 10 |
| 3806 80 | BLOCK FUSE TYPE"B" 80A BLACK | 10 |
| 3806 100 | BLOCK FUSE TYPE"B" 100A BLUE | 10 |
| 3806 120 | BLOCK FUSE TYPE"B" 120A WHITE | 10 |
| 3806 140 | BLOCK FUSE TYPE"B" 140A DK RED | 10 |
| 3807 20 | BLOCK FUSE TYPE"AS"20A LT BLUE | 10 |
| 3807 30 | BLOCK FUSE TYPE"AS" 30A PINK | 10 |
| 3807 40 | BLOCK FUSE TYPE"AS" 40A GREEN | 10 |
| 3807 50 | BLOCK FUSE TYPE"AS" 50A RED | 10 |
| 3807 60 | BLOCK FUSE TYPE"AS" 60A YELLOW | 10 |
| 3807 80 | BLOCK FUSE TYPE"AS" 80A BLACK | 10 |
| 3807 100 | BLOCK FUSE TYPE"AS" 100A BLUE | 10 |
| 3816 20 | BLOCK FUSE TYPE"J" 20A LT BLUE | 10 |
| 3816 25 | BLOCK FUSE TYPE"J" 25A WHITE | 10 |
| 3816 30 | BLOCK FUSE TYPE"J" 30A PINK | 10 |
| 3816 40 | BLOCK FUSE TYPE"J" 40A GREEN | 10 |
| 3816 50 | BLOCK FUSE TYPE"J" 50A RED | 10 |
| 3816 60 | BLOCK FUSE TYPE"J" 60A YELLOW | 10 |
| 3818 20 | BLOCK FU.TYPE"JLP" 20A LT BLUE | 10 |
| 3818 30 | BLOCK FUSE TYPE"JLP" 30A PINK | 10 |
| 3818 40 | BLOCK FUSE TYPE"JLP" 40A GREEN | 10 |
| 3818 50 | BLOCK FUSE TYPE"JLP" 50A RED | 10 |
| 3818 60 | BLOCK FUSE TYPE"JLP"60A YELLOW | 10 |



Relay

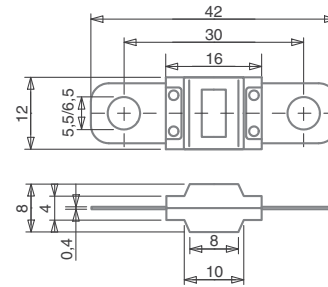
- Double make contact relay
- With holder

| Article No. | Article Description | QTY |
|----------------|-----------------------------|-----|
| 3841 1 12 5 30 | RELAY MINI 12V 5POL. 2X20 A | 1 |
| 3841 1 24 5 20 | RELAY MINI 24V 5POL. 2X10 A | 1 |



Blade Fuse - Midi

- Usable for passenger cars, trucks, agricultural machines, busses, construction vehicles and truck campers
- Replaces old strip-type fuses
- Stability under heat (UL 94-V0)
- Visible fuse-element
- Extremely robust
- For BMW, Mercedes, Volvo



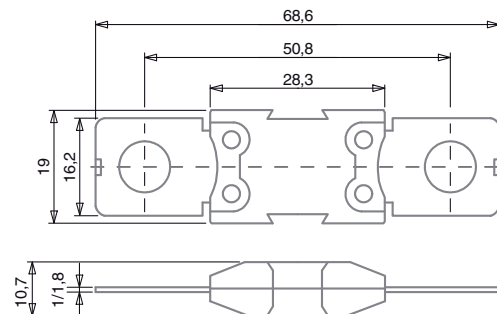
| Article No. | Article Description | QTY |
|-------------|----------------------|-----|
| 3819 30 | MIDI BLADE FUSE 30A | e 5 |
| 3819 40 | MIDI BLADE FUSE 40A | e 5 |
| 3819 50 | MIDI BLADE FUSE 50A | e 5 |
| 3819 60 | MIDI BLADE FUSE 60A | e 5 |
| 3819 70 | MIDI BLADE FUSE 70A | e 5 |
| 3819 80 | MIDI BLADE FUSE 80A | e 5 |
| 3819 100 | MIDI BLADE FUSE 100A | e 5 |
| 3819 125 | MIDI BLADE FUSE 125A | e 5 |
| 3819 150 | MIDI BLADE FUSE 150A | e 5 |
| 3819 200 | MIDI BLADE FUSE 200A | e 5 |

| Technical Data | | | |
|----------------|---------|--------|------|
| Art. No. | Colours | Ampere | Volt |
| 3819 30 | orange | 30 A | 58 V |
| 3819 40 | green | 40 A | 58 V |
| 3819 50 | red | 50 A | 58 V |
| 3819 60 | yellow | 60 A | 58 V |
| 3819 70 | brown | 70 A | 58 V |
| 3819 80 | white | 80 A | 58 V |
| 3819 100 | blue | 100 A | 58 V |
| 3819 125 | pink | 125 A | 58 V |
| 3819 150 | grey | 150 A | 58 V |
| 3819 200* | violet | 200 A | 32 V |

* thermoplastic transparent housing

Blade Fuse - Mega

- Usable for passenger cars, trucks, agricultural machines, busses, construction vehicles and truck campers
- Replaces old strip-type fuses
- Thermoplastic transparent housing
- Stability under heat (UL 94-V0)
- Visible fuse-element
- Extremely robust
- For Alfa Romeo, Audi, BMW, Fiat, Jaguar, Lancia, Renault



| Article No. | Article Description | QTY |
|-------------|----------------------|-----|
| 3819 100 1 | MEGA BLADE FUSE 100A | e 5 |
| 3819 125 1 | MEGA BLADE FUSE 125A | e 5 |
| 3819 150 1 | MEGA BLADE FUSE 150A | e 5 |
| 3819 175 1 | MEGA BLADE FUSE 175A | e 5 |
| 3819 200 1 | MEGA BLADE FUSE 200A | e 5 |
| 3819 225 1 | MEGA BLADE FUSE 225A | e 5 |
| 3819 250 1 | MEGA BLADE FUSE 250A | e 5 |
| 3819 300 1 | MEGA BLADE FUSE 300A | e 5 |
| 3819 400 1 | MEGA BLADE FUSE 400A | e 5 |
| 3819 500 1 | MEGA BLADE FUSE 500A | e 5 |

| Technical Data | | | |
|----------------|---------|--------|------|
| Art. No. | Colours | Ampere | Volt |
| 3819 100 1 | yellow | 100 A | 32 V |
| 3819 125 1 | green | 125 A | 32 V |
| 3819 150 1 | orange | 150 A | 32 V |
| 3819 175 1 | white | 175 A | 32 V |
| 3819 200 1 | blue | 200 A | 32 V |
| 3819 225 1 | beige | 225 A | 32 V |
| 3819 250 1 | pink | 250 A | 32 V |
| 3819 300 1 | grey | 300 A | 32 V |
| 3819 400 1* | violet | 400 A | 32 V |
| 3819 500 1* | brown | 500 A | 32 V |

* Fuse-element not visible

Fuse Holder - Midi/Mega

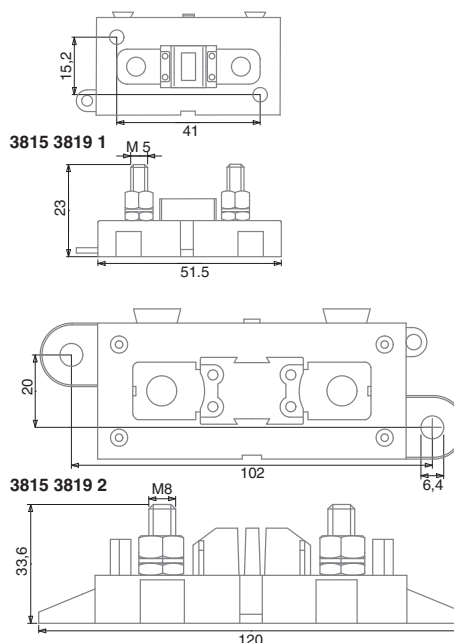
- Housing made of polyamide, glass fibre reinforced (PA 6.6 GF-30)
- Connection pins for Multi-Block-Configuration
- Extended plug system (slot and spring principle)

Art. No. 3815 3819 1:

- Suitable for flat-fuses
- Fuses up to 200A
- M5 threaded bolts, hex nuts and lock washer
- Fuses not included in delivery

Art. No. 3815 3819 2:

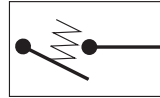
- Ideal for batteries and generator-protective use or areas with very big cable cross-sections
- Fuses up to 500A
- M8 threaded bolts, hex nuts and lock washer
- Fuses not included in delivery



| Article No. | Article Description | QTY |
|-------------|---------------------|-----|
| 3815 3819 1 | MIDI FUSE HOLDER | 1 |
| 3815 3819 2 | MEGA FUSE HOLDER | 1 |

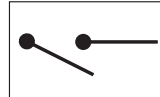
Foot Switch

- Universal
- Non-actuated position "OFF"
- Contacts: 2 screw terminals
- Fixation: 2 x 4.2 mm dia. holes, spacing 38 mm
- Max. load: 4.5 Amperes



| Article No. | Article Description | QTY |
|-------------|---------------------|-----|
| 3842 1 | FOOT SWITCH | 1 |

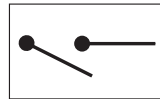
Pull Switch



| Article No. | Article Description | QTY |
|-------------|-------------------------------|-----|
| 3842 2 | PULL SWITCH WITH 2 CONNECTORS | 1 |

Rotary Switch

- On/Off switch function
- Contacts: 4 blade terminals 6.35 mm
- Type mount: Built-in
- Installation dimensions: Dia. 12.5 mm
- Clamping range: 8 mm
- Protection class: IP 53
- Max. load: 180 Watt 12VAC 15 Amperes 24VAC~ 7.5 Amperes

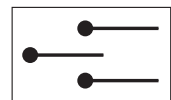
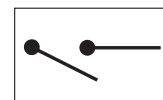


| Article No. | Article Description | QTY |
|-------------|---------------------|-----|
| 3842 12 3 | ROTARY SWITCH 12V | 1 |
| 3842 24 3 | ROTARY SWITCH 24V | 1 |

Toggle Switch with Screw Terminals

- Contacts: Screw terminals
- Max. load: 25 Amperes
- Type mount: Built-in
- Installation dimensions: dia. 12.5 mm
- Clamping range: 6 mm

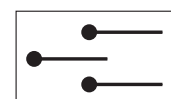
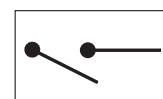
| Article No. | Article Description | QTY |
|-------------|--------------------------------|-----|
| 3842 4 1 | TOGGLE SWITCH -ON/OFF SCR-TER. | 1 |
| 3842 4 2 | TOGGLE SWITCH -ON/OFF/ON S.CO. | 1 |
| 3842 4 4 | WATERPROOF CAP | 10 |



Toggle Switch with Blade Terminals

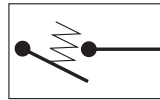
- Contacts: Spade terminals 6.35 mm
- Type mount: Built-in
- Installation dimensions: dia. 12.5 mm
- Clamping range: 10 mm
- Max. load: 25 Amperes

| Article No. | Article Description | QTY |
|-------------|--------------------------------|-----|
| 3842 5 1 | TOGGLE SWITCH -ON/OFF BLAD TE. | 1 |
| 3842 5 2 | TOGGLE SWITCH -ON/OFF/ON BL.T. | 1 |
| 3842 4 4 | WATERPROOF CAP | 10 |



Toggle Switch with Long Lever Arm

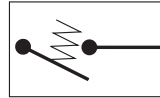
- Contacts: Spade terminals 6.35 mm
- Type mount: Built-in
- Installation dimensions: dia. 12.5 mm
- Clamping range: 6 mm
- Max. load: 5 Amperes



| Article No. | Article Description | QTY |
|-------------|------------------------------|-----|
| 3842 5 3 | TOGGLE SWITCH SPADE TERMINAL | 1 |

Toggle Switch with Spring Return

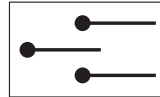
- For universal application, spring loaded
- Contacts: blade terminals 6.35 mm
- Type mount: Built-in
- Installation dimensions: 36 mm x 18 mm
- Max. load: 5 Amperes



| Article No. | Article Description | QTY |
|-------------|------------------------------|-----|
| 3842 6 | TOGGLE SWITCH SPADE TERMINAL | 1 |

Rocker-type Switch

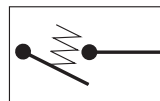
- For universal application
- Contacts: Spade terminals 6.35 mm
- Type mount: Built-in
- Installation dimensions: 36 mm x 18 mm
- Max. load: 5 Amperes



| Article No. | Article Description | QTY |
|-------------|-------------------------|-----|
| 3842 6 1 | ROCKER SWITCH ON/OFF/ON | 1 |

Starter Button

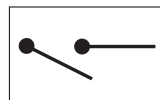
- For universal application
- Button: Black
- Contacts: Spade terminals
- Type mount: Built-in
- Installation dimensions: 22.5 mm
- Clamping range: 10 mm
- Max. load: 12.5 Amperes



| Article No. | Article Description | QTY |
|-------------|---------------------|-----|
| 3842 7 | STARTER BUTTON | 1 |

Key-Operated Switch, Metal

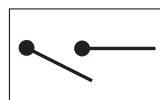
- On/Off function
- Contacts: Spade terminals 6.35 mm
- Type mount: Built-in
- Installation dimensions: 19.5 mm
- Clamping range: 17mm
- Max. load: 12 Volt: 15 Ampere



| Article No. | Article Description | QTY |
|-------------|---------------------|-----|
| 3842 8 | KEY SWITCH METAL | 1 |

Key-Operated Switch, Plastic

- On/Off function
 - Black PVC housing
 - Dia. 30 mm for limited spaces
 - Total length: 48 mm
 - Contacts: Spade terminals 6.35 mm
 - Type mount: Built-in
 - Installation dimensions 22.5 mm
 - Clamping range: 4 mm
 - Max. load:
- 12 Volt: 17.5 Amperes
 24 Volt: 10.0 Amperes
 80 Volt: 8.0 Amperes



| Article No. | Article Description | QTY |
|-------------|---------------------------|-----|
| 3842 8 1 | KEY SWITCH PLASTIC 12/24V | 1 |

Battery Cut-off Switch, Single Pole, M8

- Contacts: 2 x M8, hole interval: 33 mm
- With waterproof cap
- Fixation: 2 x dia. 6.2 mm, hole interval: 37.5 mm
- Max. load: 500 Amperes within 5 seconds



| Article No. | Article Description | QTY |
|-------------|----------------------------|-----|
| 3842 9 | BATTERY CUTOFF 100A/24V | 1 |
| 3842 9 1 | SPARE KEY BATTERY CUTOFF | 1 |
| 3842 9 2 | CHAIN FOR BATTERY KEY 12CM | 1 |

Battery Cut-off Switch, Single Pole, M10

- Without advance switch-off of AC generator
- Contacts: 2 x M 10, hole interval: 65 mm
- Fixation: 2 x dia. 8.5 mm, hole interval: 65 mm
- Max. load: 250 Amperes / 24 Volt, 2500 Amperes within 5 seconds



| Article No. | Article Description | QTY |
|-------------|----------------------|-----|
| 3842 10 | BATTERY CUTOFF 2XM10 | 1 |

Battery Cut-off Switch, Single Pole, M10/M6

- Without advance switch-off of AC generator
- Operating power circuit connected to main power circuit
- Contacts: 2 x M 10, hole interval: 65 mm + 1x M6
- Fixation: 2 x dia. 8.5 mm, hole interval: 65 mm
- Max. load: 450 Amperes / 24 Volt, 4500 Amperes within 5 seconds



| Article No. | Article Description | QTY |
|-------------|---------------------------|-----|
| 3842 10 1 | BATTERY CUTOFF 2XM10/1XM6 | 1 |

Battery Cut-off Switch, Single Pole, M10/6.35mm

- Without advance switch-off of AC generator
- Operating power circuit separated from main power circuit
- Contacts: 2 x M 10, hole interval: 65 mm + 2 spade connectors 6.35 mm
- Fixation: 2 x dia. 8.5 mm, hole interval: 65 mm
- Max. load: 450 Amperes / 24 Volt, 4500 Amperes within 5 seconds



| Article No. | Article Description | QTY |
|-------------|-----------------------------|-----|
| 3842 10 2 | BATTERY CUTOFF 2XM10/2XM6.3 | 1 |

Male Connector Type 'Y'

- For rechargeable batteries
- Application: Lift trucks, trucks



| Article No. | Article Description | QTY |
|-------------|--------------------------------|-----|
| 3825 60 0 | MALE CNCTR PLAST.TYPE Y YELLOW | 1 |
| 3825 60 1 | FEM.CNCTR.PLASTIC TYPE Y BLACK | 1 |
| 3825 60 5 | FEM.CNCTR.PLASTIC TYPE P BLACK | 1 |
| 3825 60 6 | MALE CNCTR.PLAST.TYPE P BLACK | 1 |

Battery Terminal Clamp Pullers

- Two arms
- Ideal for pulling small parts such as battery terminals, plates, gears, ball bearings etc.



| Article No. | Article Description | QTY |
|-------------|----------------------|-----|
| 4800 2 65 | 2-ARM-PULLER 65X65MM | 1 |

Terminal Post Cleaning Brush

| Article No. | Article Description | QTY |
|-------------|------------------------------|-----|
| 4928 1 | BAT.TERM.POST CLEANING BRUSH | 1 |



Battery Acid Pump

- Continuous pumping ensures that car battery is filled with acid or distilled water
- With a hose shut-off valve
- Prevents overfilling battery
- Length of filler tube 70 cm
- Taper dia. 30-70 cm



| Article No. | Article Description | QTY |
|-------------|---------------------|-----|
| 4928 6 | BATTERY ACID PUMP | 1 |

Battery Filler

| Article No. | Article Description | QTY |
|-------------|---------------------|-----|
| 4928 5 | BATTERY FILLER | 1 ü |



Battery Acid Tester

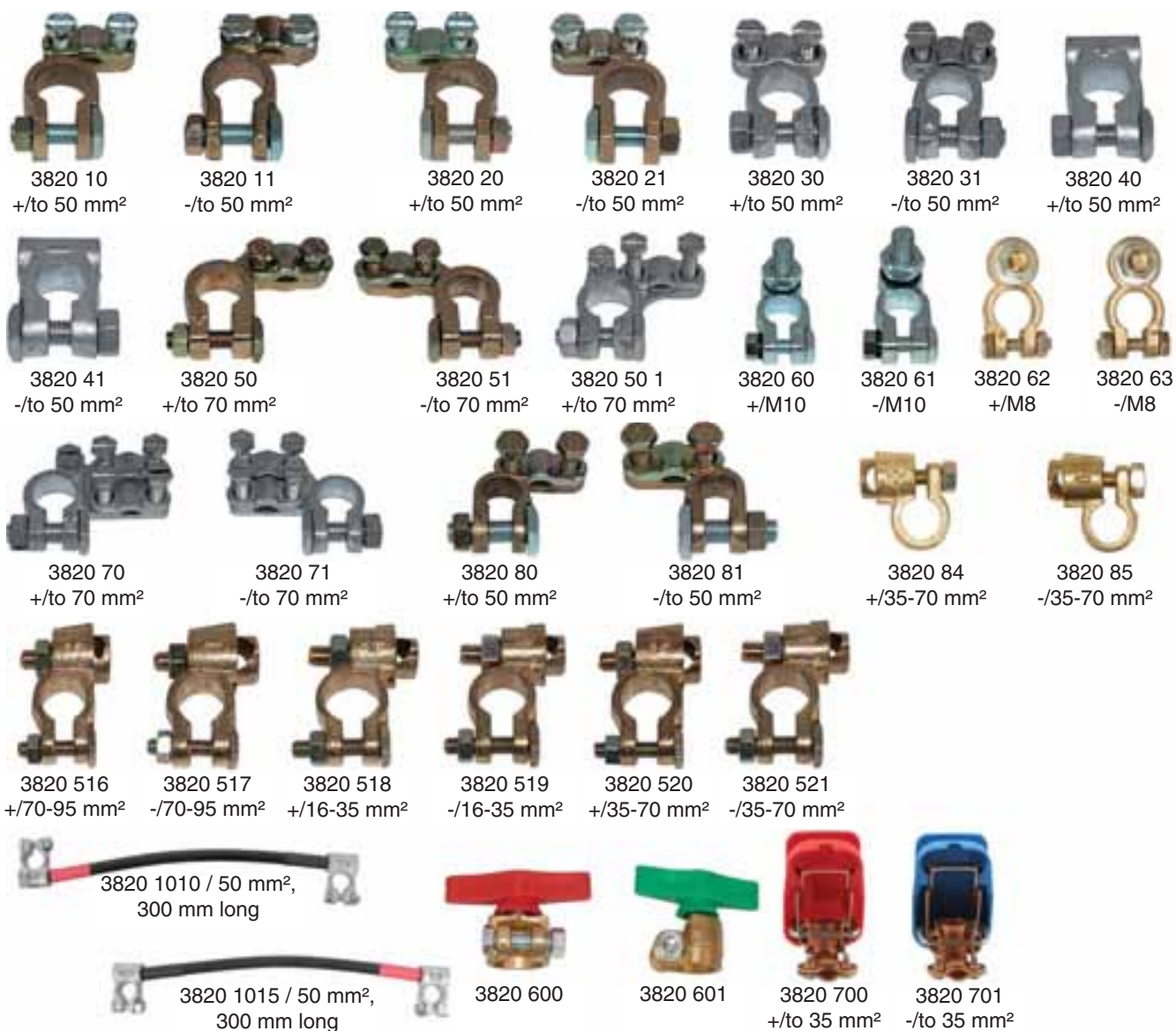
| Article No. | Article Description | QTY |
|-------------|-------------------------|-----|
| 5439 1 | AUTO BATTERY HYDROMETER | 1 |



Battery Terminals

| Article No. | Article Description | QTY |
|-------------|--------------------------------|------|
| 3820 10 | BATTERY TERMINALS RIGHT + 10 | e 10 |
| 3820 11 | BATTERY TERMINALS RIGHT - 11 | e 10 |
| 3820 20 | BATTERY TERMINALS LEFT + 20 | e 10 |
| 3820 21 | BATTERY TERMINALS LEFT - 21 | e 10 |
| 3820 30 | BATTERY TERMINALS STRAIGHT +30 | e 10 |
| 3820 31 | BATTERY TERMINALS STRAIGHT -31 | e 10 |
| 3820 40 | BATTERY TERMINALS + 40 | e 10 |
| 3820 41 | BATTERY TERMINALS - 41 | e 10 |
| 3820 50 | BAT.TERM.TR.+ WITHO.L.CNCTR.50 | e 10 |
| 3820 51 | BATTERY TERMIN. TRUCK - 0.L | e 10 |
| 3820 50 1 | BAT.TERM.TRICK.+ WITH.L.CNCTR. | e 5 |
| 3820 60 | BATTERY TERMINALS MAN + M10 | e 10 |
| 3820 61 | BATTERY TERMINALS MAN - M10 | e 10 |
| 3820 62 | BATTERY TERMINALS MAN + M8 | e 10 |
| 3820 63 | BATTERY TERMINALS MAN - M8 | e 10 |
| 3820 70 | BATTERY TERMINALS BÜSSING + 70 | e 5 |
| 3820 71 | BATTERY TERMINALS BÜSSING - 71 | e 5 |

| Article No. | Article Description | QTY |
|-------------|--------------------------------|------|
| 3820 80 | BATTERY TERMIN.FIAT +CLIP POLE | e 10 |
| 3820 81 | BATTERY TERMIN.FIAT -CLIP POLE | e 10 |
| 3820 84 | BATTERY TERMIN.DIESEL/PKW + | e 5 |
| 3820 85 | BATTERY TERMIN.DIESEL/PKW - | 1 |
| 3820 516 | BATTERY TERMINALS 95QMM + | e 10 |
| 3820 517 | BATTERY TERMINALS 95QMM - | e 10 |
| 3820 518 | BATTERY TERMINALS VEHICLE + | e 10 |
| 3820 519 | BATTERY TERMINALS VEHICLE - | e 10 |
| 3820 520 | BATTERY TERMINALS DIESEL/TRU.+ | e 10 |
| 3820 521 | BATTERY TERMINALS DIESEL/TRU.- | e 10 |
| 3820 600 | BATTERY TERM.W.TURN.HA.RED MS+ | e 5 |
| 3820 601 | BATT.TERM.W.TURN.HA.GREEN MS- | e 5 |
| 3820 700 | BATTERY-QUICK CONNECTOR + | 1 |
| 3820 701 | BATTERY-QUICK CONNECTOR - | 1 |
| 3820 1010 | BATTERY BRIDGE F1010-50-300MM | 1 |
| 3820 1015 | BATTERY BRIDGE F1015-50-300MM | 1 |



Ground Straps

| Article No. | Article Description | QTY |
|-------------|--------------------------------|------|
| 3821 200 | GROUND STRAP WITH TERM.200MM | e 10 |
| 3821 250 | GROUND STRAP WITH TERM.250MM | e 10 |
| 3821 300 | GROUND STRAP WITH TERM.300MM | e 10 |
| 3821 350 | GROUND STRAP WITH TERM.350MM | e 10 |
| 3822 200 | GROUND STRAP WITHOU.TERM.200MM | e 10 |
| 3822 250 | GROUND STRAP WITHOU.TERM.250MM | e 10 |
| 3822 300 | GROUND STRAP WITHOU.TERM.300MM | e 10 |
| 3822 350 | GROUND STRAP WITHOU.TERM.350MM | e 10 |
| 3822 10 | RO(10M)GROUND STRAP | 1 |

Technical Data

Material: copper 16 mm²
Width: approx. 20 mm
Drilling-Ø: 10.5 mm



Battery Charging Clips

| Article No. | Article Description | QTY |
|-------------|-------------------------------|------|
| 3823 6 | BATTERY CHARGING CLIP 6AMP + | e 10 |
| 3823 6 1 | BATTERY CHARGING CLIP 6AMP - | e 10 |
| 3823 25 | BATTERY CHARGING CLIP 25AMP + | e 10 |
| 3823 25 1 | BATTERY CHARGING CLIP 25AMP - | e 10 |



Crocodile Clips

- For testing instruments etc.

| Article No. | Article Description | QTY |
|-------------|-------------------------|------|
| 3823 3 1 | CROCODILE CLIP 5A RED | e 10 |
| 3823 3 2 | CROCODILE CLIP 5A BLACK | e 10 |



Welding Protector

- Not necessary to disconnect battery during welding or charging
- Prevents damages to automotive electronics (e.g. ABS, airbag, etc.)
- Saves time - no need to reprogramme car clock, radio or other accessories
- With visible LED display
- Range 12-24V
- Voltage reversal not possible due to optional connection to +/-

| Article No. | Article Description | QTY |
|-------------|---------------------|-----|
| 3825 90 | WELDING PROTECTOR | 1 |



Voltage Surge Protector GP12 / GP24

- For permanent installation in vehicles
- Simply connect to positive and negative pole of battery
- Permanently suppresses voltage surges in vehicle electric system
- Prevents damage to automotive electronic circuitry (e.g. ABS, airbags, fuel injection, radio, etc.) from voltage surges
- Prevents light bulbs from burning out prematurely due to voltage surges
- Protection when jump starting
- Voltage reversal not possible due to optional connection to +/-

| Article No. | Article Description | QTY |
|-------------|--------------------------------|-----|
| 3825 12 | VOLTAGE SURGE PROTECTOR GP 12V | 1 |
| 3825 24 | VOLTAGE SURGE PROTECTOR GP 24V | 1 |



Starter Cables

- Tested according to DIN 72553
- Flexible copper cable according to DIN 72551
- With fully insulated clamps
- 16 mm² for petrol engine up to 2500 cm³
- 25 mm² for petrol engine up to 5500 cm³ and for diesel engine up to 3000 cm³
- 35 mm² for petrol engine up to 7000 cm³ and for diessel engine up to 4000 cm³
- Overvoltage protection prevents voltage surges and damage to automotive electronics such as ABS, airbags, ignition, telephone etc.

Technical Data

| Art. No. | Version | Length |
|-----------|-----------------------------------------------------------------------------------------------------------------------------------------------------|--------|
| 3825 16 | Without overvoltage protection 220A plastic clamps | 3 m |
| 3825 25 | Without overvoltage protection 350A plastic clamps | 3.5 m |
| 3825 25 1 | With overvoltage protection 350A plastic clamps | 3.5 m |
| 3825 35 | Workshop starter cable without overvoltage 600A sheet steel clamps, cast inlet | 4.5 m |
| 3825 35 1 | Workshop starter cable with overvoltage protection 600A sheet steel clamps, cast inlet both-sided contact of clamps due to connection band | 4.5 m |

| Article No. | Article Description | QTY |
|-------------|--------------------------------|-----|
| 3825 16 | STARTER CABLE 16QMM | 1 |
| 3825 25 | STARTER CABLE 25QMM | 1 |
| 3825 25 1 | START.CABLE W.OVERV.PROT.25QMM | 1 |
| 3825 35 | STARTER CABLE 35QMM | 1 |
| 3825 35 1 | START.CABLE W.OVERV.PROT.35QMM | 1 |



3825 16



3825 25



3825 25 1



3825 35



3825 35 1

Starter Cable for Commercial Vehicles

- Rugged starter cable for commercial vehicles and machinery
- With fully insulated clamps and flexible cables
- Cable cross section 50 mm²

Technical Data

| Art. No. | Version | Length |
|-----------|--------------------------------------------------------------------------------------------------------------------------------------------------------------------------------------------------------------------------------------------|--------|
| 3825 50 1 | without overvoltage protection 600A sheet steel clamps with 2 cast pole inserts both sides connected due to connecting band | 5 m |
| 3825 50 | with overvoltage protection two individual conductors which are connected every 80 cm with clamps 1000A fully cast angled brass clamps in glass fibre reinforced armoured housing professional design in a rugged cloth bag | 7 m |

| Article No. | Article Description | QTY |
|-------------|--------------------------------|-----|
| 3825 50 1 | START.CABLE F.COM.VEH.50QMM 5M | 1 |
| 3825 50 | START.CABLE F.COM.VEH.50QMM 7M | 1 |



3825 50 1



3825 50

PVC Battery Cable

| Article No. | Article Description | QTY |
|-------------|--------------------------------|-----|
| 3822 16 | RI(25M)BATT.CABLE BLACK 16QMM | 1 |
| 3822 16 1 | RI(25M)BATT.CABLE RED 16QMM | 1 |
| 3822 25 | RI(25M)BATT.CABLE BLACK 25 QMM | 1 |
| 3822 25 1 | RI(25M)BATT.CABLE RED 25 QMM | 1 |
| 3822 35 | RI(25M)BATT.CABLE BLACK 35 QMM | 1 |
| 3822 35 1 | RI(25M)BATT.CABLE RED 35 QMM | 1 |
| 3822 50 | RI(25M)BATT.CABLE BLACK 50 QMM | 1 |
| 3822 50 1 | RI(25M)BATT.CABLE RED 50 QMM | 1 |



Battery Clips

| Article No. | Article Description | QTY |
|-------------|--------------------------------|-----|
| 3825 35 8 | BATTERY CLIPS BRASS 100A | 1 |
| 3825 35 9 | BATTERY CLIPS BRASS RED 1000A | 1 |
| 3825 35 10 | BATTERY CLIP.BRASS BLACK 1000A | 1 |
| 3825 35 11 | BATTERY CLIPS BRASS RED 1000A | 1 |
| 3825 35 20 | BATTERY CLIPS SHEET RED 40A | 1 |
| 3825 35 21 | BATTERY CLIPS SHEET BLACK 40A | 1 |
| 3825 35 22 | BATTERY CLIPS SHEET RED 60A | 1 |
| 3825 35 23 | BATTERY CLIPS SHEET BLACK 60A | 1 |
| 3825 35 24 | BATTERY CLIPS SHEET RED 120A | 1 |
| 3825 35 25 | BATTERY CLIPS SHEET BLACK 120A | 1 |
| 3825 35 30 | BATTERY CLIPS BRASS RED 500A | 1 |
| 3825 35 31 | BATTERY CLIPS BRASS BLACK 500A | 1 |



3825 35 8
L = 170mm



3825 35 9
L = 170mm



3825 35 10
L = 170mm



3825 35 11
L = 170mm



3825 35 20
L = 80mm



3825 35 21
L = 80mm



3825 35 22
L = 120mm



3825 35 23
L = 120mm



3825 35 24
L = 160mm



3825 35 25
L = 160mm



3825 35 30
L = 170mm



3825 35 31
L = 170mm

Automatic Battery Charger and Starter 724E, 12/24V

- Automatic battery charger and starter, mobile, switchable for 12 and 24 Volt systems
- With remote control

Advantages:

- Starter with automatic monitoring to prevent voltage surges
- Fully automatic charging programme allow batteries to be charged without supervision
- Electronic circuitry protection allows charging without removing battery
- Manual charging programme also available for charging completely discharged batteries. However this programme requires supervision.
- CE approved

Technical Data

| | |
|------------------------------|-----------------------------------------------------------|
| Power connection: | 230 Volt, 50/60 Hz |
| For batteries: | 12 Volt and 24 Volt, from 45 Ah to 675 Ah |
| Initial current: | Adjustable from 400 A – 700 A |
| Charging current: | Adjustable from 10 A – 45 A, characteristic curve W2 (WU) |
| Fuse: | 20 A |
| Dimension(H x W x D): | 780 x 360 x 280 cm |
| Weight: | 30 kg |



| Article No. | Article Description | QTY |
|-------------|--------------------------------|-----|
| 5439 724 | GS724E START/CHARG.12/24V AUT. | 1 |

Batium ESB Battery Chargers

High-quality, powerful battery charger for daily use and heavy workshop application, robust steel housing. Solig metal clips for long lasting and trouble-free application. Perfect for acid, calcium and gel batteries

- Fully automatic charging process without supervision
- Batium charging technique ensures that all batteries are completely charged
- Intelligent charging system allows charging to continue a point interrupted in event of power failure
- Forced charging: This feature allows even highly discharged batteries (with extremely low voltage) to be charged
- Vehicle electronic circuitry is protected against voltage surges
- Protection against polarity reversal or incorrect battery voltage
- Power-free connection to poles

ESB 0712 Battery Charger 6/12 V

| Technical Data | |
|------------------------------------------|----------------------------|
| Voltage: | 230 V 50/60 Hz |
| Power: | 105 Watt |
| For batteries: | 6 - 12 Volt |
| Charging levels: | 3 A / 7 A (effective 11 A) |
| Dimensions: | 28 x 20 x 12 cm |
| Weight: | approx. 4.2 kg |
| Ideally for 15 - 130 Ah batteries | |



| Article No. | Article Description | QTY |
|-------------|-----------------------------|-----|
| 5439 712 | ESB 0712 BATT.CHARGER 6/12V | 1 |

ESB 1524 Battery Charger 6/12/24 V

The **ESB 1524** also features **SOS Recovery**:

- This feature also allows highly discharged and even sulphated batteries to be recharged over a 24 hour period in 8 out of 10 cases using a special regeneration programme (providing they are in good technical condition and not actually defective).

| Technical Data | |
|------------------------------------------|------------------------------------|
| Voltage: | 230 V 50/60 Hz |
| Power: | 450 Watt |
| For batteries: | 6 - 12 - 24 Volt |
| Charging levels: | 7 A / 10 A / 15 A (effective 22 A) |
| Dimensions: | 30,5 x 20 x 13 cm |
| Weight: | approx. 8.5 kg |
| Ideally for 35 - 225 Ah batteries | |



| Article No. | Article Description | QTY |
|-------------|--------------------------------|-----|
| 5439 1524 | ESB 1524 BATT.CHARGER 6/12/24V | 1 |

HF 20 Automatic Battery Charger 12/24 V

- Electronic battery charger with the state-of-the-art inverter HF technology
- IUoU charging curve ensures that all batteries are completely charged (including gel batteries, calcium batteries etc.)

Advantages:

- Optimum battery service life
- Faster charging than with conventional chargers
- Charges without removing battery
- Protection against short-circuit, overload and polarity reversal. Automotive electronics circuitry also protected
- Charging of discharged batteries possible from 3 Volts
- Power-free connection to poles



Technical Data

Current connection: 230 Volt
For batteries: 12 Volt and 24 Volt, from 45 Ah to 500 Ah
Power: 700 Watt
Fuse: 8/20 A
Dimension (H x W x D): 140 x 360 x 260 mm
Weight: 5 kg

| Article No. | Article Description | QTY |
|-------------|-------------------------------|-----|
| 5439 500 | HF20 BATT.CHARG.12/24V AUTOM. | 1 |

HF 40 Automatic Battery Charger 12/24 V

- Fully electronic charging with the state-of-the-art inverter HF technology
- IUoU charging curve ensures that all batteries are completely charged (including gel batteries, calcium batteries etc.)
- Microprocessor control and digital display with language selection facilitate operation and provide complete information on charging status, battery condition and even remaining charging time.

Advantages:

- Optimum battery service life
- Faster charging than with conventional chargers
- Charges battery in installed state
- Maximum protection against short-circuit, overload and polarity reversal.
- Fully automatic battery charging without supervision
- Charging of discharged batteries possible from 3 Volts
- High, uniform current of 40 A/12V guarantees that charge is maintained while programming expensive luxury vehicles
- Power-free connection to poles



Technical Data

Power connection: 230 Volt
For batteries: 12 Volt and 24 Volt
Power: 700 Watt, 40 A
Dimensions: 36 x 26 x 14 cm
Weight: approx. 5 kg

| Article No. | Article Description | QTY |
|-------------|-------------------------------|-----|
| 5439 501 | HF40 BATT.CHARG.12/24V AUTOM. | 1 |

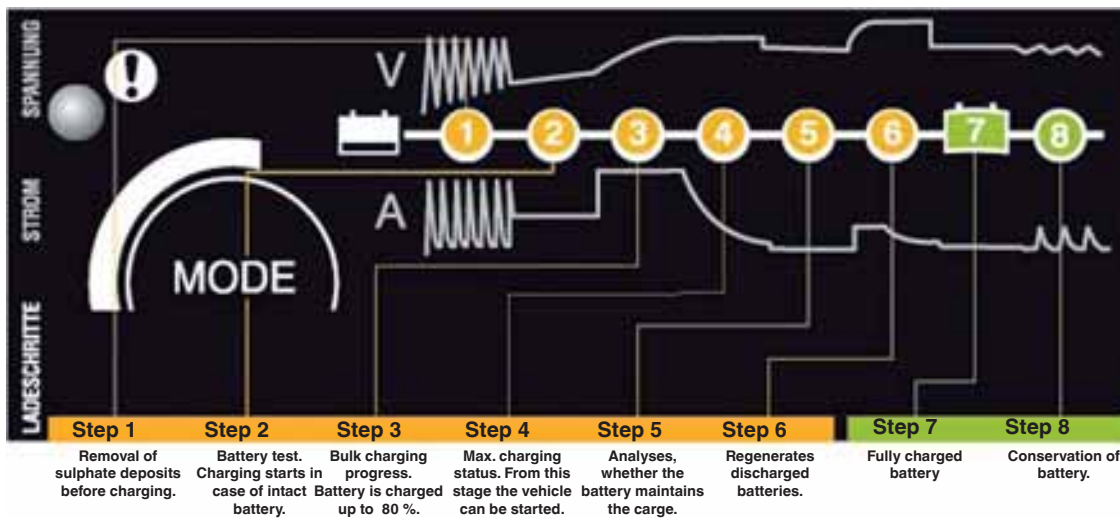
Charging Time Overview

| Device type | Battery size | | | | | | | ... charge up to ready status |
|------------------------------------|--------------|--------|--------|---------|---------|---------|---------|-------------------------------|
| | 2 A | 8 A | 20 A | 60 A | 100 A | 225 A | 500 A | |
| MXS 3.6 12 V; 0,8 A/3,6 A; 4-level | 2 hrs. | 8 hrs. | 5 hrs. | 15 hrs. | 25 hrs. | - | - | 30 mins. |
| MXS 5.0 12 V; 0,8 A/5,0 A; 8-level | 2 hrs. | 8 hrs. | 4 hrs. | 12 hrs. | 23 hrs. | - | - | 20 mins. |
| MXS 7.0 12 V; 7 A; 8-level | - | - | 3 hrs. | 8 hrs. | 12 hrs. | 25 hrs. | - | 10 mins. |
| MXS 25.0 12 V; 25 A; 8-level | - | - | - | 2 hrs. | 3 hrs. | 7 hrs. | 16 hrs. | 3 mins. |
| MXT 4.0 24 V; 4 A; 8-level | - | 2 hrs. | 5 hrs. | 14 hrs. | 20 hrs. | - | - | 35 mins. |
| MXT 14.0 24 V; 14 A; 8-level | - | - | - | 4 hrs. | 5 hrs. | 13 hrs. | 28 hrs. | 10 mins. |

Charging time (hrs.) in relation to the battery size (A):

■ recommended
 ■ possible
 ■ not recommended

8 steps to a perfectly charged battery



Battery Charger MXS 3.6

- 12Volt
- High frequency charging device with 4-phase automatic charging performance IUoUp
- Without voltage peaks - batteries from 1.2 to 75 Ah can be charged when connected without damaging the electronics of the vehicle (motor-control)
- Pulse trickle charging keeps batteries from 1.2 to 120 Ah on standby to 95%-100%
- The device can permanently be connected to the battery
- With fully insulated battery clips
- Charging steps: 1-3-4-8



| Technical Data | |
|---------------------------|------------------------------------------------------------------------------------------------------------------------------|
| Voltage: | 220 - 240 V AC; 50 - 60 Hz |
| Charging voltage: | 14.4 V or 14.7 V, nominal 12 V |
| Reverse current: | 1.3 mA (corresponds to approx. 1 A/month, when device is connected to the battery, but not connected to mains connection) |
| Charging current: | 0.8 or alternatively 3.6 A |
| Battery capacity: | 1.2 bis 120 Ah |
| Dimensions LxWxH: | 165 x 61 x 38 mm |
| Protective system: | IP 65 (splash and dust-proof) |
| Weight: | 0.5 kg |
| Battery types: | open, maintenance-free AGM, GEL and lead-calcium battery |

| Article No. | Article Description | QTY |
|-------------|-----------------------------|-----|
| 5439 110 | BATTERY CHARGER MXS 3.6 12V | 1 |

Included in delivery:

- Storage bag
- Alligator cable

Battery Charger MXS 5.0

- 12 Volt
- High frequency charging device with 8-phase automatic charging performance IUoUp
- Without voltage peaks - batteries from 1.2 to 110 Ah can be charged when connected without damaging the electronics of the vehicle (motor-control)
- Pulse trickle charging keeps batteries from 1.2 to 160 Ah on standby to 95-100%
- The device can permanently be connected to the battery
- RECOND is a special mode where total discharged batteries can be reset to full capacity
- With fully insulated battery clips
- Charging steps: 1-2-3-4-5-6-7-8

Technical Data

Voltage: 220 - 240 V AC; 50 - 60 Hz
Charging voltage: 14.4 V or 14.7 V, nominal 12 V
Reverse current: 1.3 mA
 (corresponds to approx. 1 A/Monat, when the device is connected to the battery, but not connected to mains connection)
Charging current: 0.8 or alternatively 5.0 A
Battery capacity: 1.2 to 160 Ah
Dimensions LxWxH: 168 x 65 x 38 mm
Protective system: IP 65 (splash and dust-proof)
Weight: 0.6 kg
Battery types: open, maintenance-free AGM, GEL and lead-calcium battery



| Article No. | Article Description | QTY |
|-------------|-----------------------------|-----|
| 5439 116 | BATTERY CHARGER MXS 5.0 12V | 1 |

Included in delivery:

- Storage bag
- Alligator cable

Battery Charger MXS 7.0

- 12Volt
- High frequency charging device with 8-phase automatic charging performance IUoUp
- Without voltage peaks - batteries from 14 to 150 Ah can be charged when connected without damaging the electronic of the vehicle (motor-control)
- Pulse trickle charging keeps batteries from 14 to 225 Ah on standby to 95%-100%
- The device can permanently be connected to the battery
- SUPPLY is a special mode, which allows the device to be used as mains adapter for the equipment when the battery is dismantled (radiocode)
- RECOND is a special mode to reactivate total discharged batteries and to bring them back to full capacity
- The device can permanently be connected to the battery
- With fully insulated battery clips
- Charging steps: 1-2-3-4-5-6-7-8

Technical Data

Voltage: 220 - 240 V AC, 50 - 60 Hz
Charging voltage: 13.6 V - 14.4 V, 14.7 V, 16 V, nominal 12 V
Reverse current: < 3 mA
 (corresponds to approx. 1 Ah/month, when device is connected to the battery, but not connected to mains connection)
Charging current: max. 7 A
Battery capacity: 14 to 225 Ah
Dimensions LxWxH: 191 x 89 x 48 mm
Protective system: IP 65 (splash and dust-proof)
Weight: 0.8 kg
Battery types: open, maintenance-free, AGM, GEL and lead-calcium battery



| Article No. | Article Description | QTY |
|-------------|-----------------------------|-----|
| 5439 111 | BATTERY CHARGER MXS 7.0 12V | 1 |

Included in delivery:

- Storage bag
- Alligator cable

Multi XS 25000 Battery Charger

- 12 Volt
- High frequency charging device with 8-phase automatic charging performance IUoIUp
- Without voltage peaks – batteries from 50 to 500 Ah can be charged when connected without damaging the electronic of the vehicle (motor-control)
- SUPPLY is a special mode, which allows the device to be used as a mains adapter for the equipment when the battery is dismantled (radiocode)
- RECOND is a special mode to reactivate deep discharged batteries and to bring them back to full capacity
- Pulse trickle charging keeps batteries from 50 to 100 Ah on standby to 95%-100%
- The device can permanently be connected to the battery
- Charging steps: 1-2-3-4-5-6-7-8



Technical Data

| | |
|---------------------------|-------------------------------------------------------------------------------------------------------------------------------------|
| Voltage: | 220 - 240 V AC; 50 - 60 Hz |
| Charging voltage: | 13,6 V - 14,4 V, 14,7 V, 16 V, nominal 12 V |
| Reverse current: | < 2,3 mA (corresponds to approx 2.3 A/month, when the device is connected to the battery, but not connected to mains connection) |
| Charging current: | max. 25 A |
| Battery capacity: | 50 to 500 Ah |
| Dimensions LxWxH: | 233 x 128 x 64 mm |
| Protective system: | IP 44 |
| Weight: | 1.4 kg |
| Battery types: | all lead batteries e.g. open, maintenance-free AGM, GEL and lead-calcium battery |

| Article No. | Article Description | QTY |
|-------------|--------------------------------|-----|
| 5439 112 | MULTI XS 25000 12V BAT.CHARGER | 1 |

Multi XS 25000 HH Battery Charger

- 12 Volt
- Perfect for use in garages: Batteries often have an inadequate charging condition, mainly due to short distance journeys and high standby currents, also garage stays can deteriorate the charging condition further
Diagnosis: frequent starting and switched on electrics diminish voltage
- Any car can be charged during repairs or service
- With safe bracket at the auto-hoist
- 6 m charging cable, the device can be unhinged from the bracket for work aside the auto-hoist (e.g. diagnosis) and attached to the side window of the vehicle
- Charging steps: 1-2-3-4-5-6-7-8



Technical Data

| | |
|---------------------------|---------------------------------------------------------------------------------------------------------------------------------------|
| Voltage: | 220 - 240 V AC; 50 - 60 Hz |
| Charging voltage: | 13,6 V - 14,4 V, 14,7 V, 16 V, nominal 12 V |
| Reverse current: | < 2,3 mA (corresponds to approx. 2.3 Ah/month, when the device is connected to the battery, but not connected to mains connection) |
| Charging current: | max. 25 A |
| Battery capacity: | 50 to 500 Ah |
| Dimensions LxWxH: | 233 x 128 x 64 mm |
| Protective system: | IP 44 |
| Weight: | 1.4 kg |
| Battery types: | all types of batteries e.g. open, maintenance-free AGM, GEL and lead-calcium battery |

| Article No. | Article Description | QTY |
|-------------|--------------------------------|-----|
| 5439 113 | MULTI MXS25000 BA.CHAR.DEV.12V | 1 |



Multi XT 4000 Battery Charger

- 24 Volt
- High frequency charging device with 8-phase automatic charging performance IUoIUoUp
- Without voltage peaks – batteries from 14 to 225 Ah can be charged when connected without damaging the electronic of the vehicle (motor-control)
- RECOND is a special mode to reactivate deep discharged batteries and to bring them back to full capacity
- Pulse trickle charging keeps batteries from 14 to 225 Ah on standby to 95%-100%
- The device can permanently be connected to the battery
- Charging steps: 1-2-3-4-5-6-7-8



| Technical Data | |
|---------------------------|---------------------------------------------------------------------------------------------------------------------------------------|
| Voltage: | 220 - 240 V AC; 50 - 60 Hz |
| Charging voltage: | 26,4 V - 29,4 V, 31,4 V, nominal 24 V |
| Reverse current: | < 2,3 mA (corresponds to approx. 2.3 Ah/month, when the device is connected to the battery, but not connected to mains connection) |
| Charging current: | max. 4 A |
| Battery capacity: | 14 to 225 Ah |
| Dimensions LxWxH: | 191 x 89 x 48 mm |
| Protective system: | IP 65 |
| Weight: | 0.8 kg |
| Battery types: | open, maintenance-free AGM, GEL and lead-calcium battery |

| Article No. | Article Description | QTY |
|-------------|--------------------------------|-----|
| 5439 114 | MULTI XT 4000 BAT.CHAR.DEV.24V | 1 |

Multi XT 14000 Battery Charger

- 24 Volt
- High frequency charging device with 8-phase automatic charging performance IUoIUoUp
- Without voltage peaks – batteries from 28 to 300 Ah can be charged when connected without damaging the electronic of the vehicle (motor-control)
- SUPPLY is a special mode, which allows the device to be used as a mains adapter for the equipment when the battery is dismantled (radiocode)
- RECOND is a special mode to reactivate deep discharged batteries and to bring them back to full capacity
- Pulse trickle charging keeps batteries from 28 to 500 Ah on standby to 95%-100%
- The device can permanently be connected to the battery
- Charging steps: 1-2-3-4-5-6-7-8



| Technical Data | |
|---------------------------|--------------------------------------------------------------------------------------------------------------------------------------|
| Voltage: | 220 - 240 V AC; 50 - 60 Hz |
| Charging voltage: | 26,4 V - 29,4 V, 31,4 V, nominal 24 V |
| Reverse current: | < 2,3 mA (corresponds to approx. 2.3 A/month, when the device is connected to the battery, but not connected to mains connection) |
| Charging current: | max. 14 A |
| Battery capacity: | 28 to 300 Ah |
| Dimesions LxWxH: | 233 x 128 x 64 mm |
| Protective system: | IP 44 |
| Weight: | 1.4 kg |
| Battery types: | open, maintenance-free AGM, GEL and lead-calcium battery |

| Article No. | Article Description | QTY |
|-------------|--------------------------------|-----|
| 5439 115 | MULTI XT14000 BAT.CHAR.DEV.24V | 1 |

Battery Charger Acctiva Easy 12V

- Charges batteries fully automatically and gently up to their maximum capacity
- Charging or charge maintenance made from conventional lead-acid, lead-calcium/silver or AGM/MF batteries as well as maintenance free lead-gel batteries without the need to disconnect from the vehicle electrical system
- Test function for start ability and generator operability
- Battery charge status display via bar chart on the display
- Charging of reverse charged batteries possible
- Based on inverter technology

Technical Data

| | |
|-------------------------------------------|------------------|
| Nominal charging voltage: | 12 V |
| Max. charging current (arith.): | 4 A |
| Max. charging current (effective): | 6 A |
| Max. battery capacity: | 3 - 200 Ah |
| Supply voltage +/- 15%: | 100 - 240 V |
| Max. power voltage: | 48 W |
| Final charge voltage: | 13.5 - 14.4 V |
| Charge characteristics: | IUoU |
| Dimensions (LxWxH): | 119 x 72 x 52 mm |
| Cable length: | 1.95 m |

| Article No. | Article Description | QTY |
|-------------|--------------------------------|-----|
| 5439 200 | BATT.CHARGER AUTO.ACC.EASY 12V | 1 |

Included in delivery:

Battery charger 12V – 4A, cable with clamps, cable with car plug, power cable extension 3m, wall bracket, case



Battery Charger Acctiva Easy 6/12V

- Charges batteries fully automatically and gently up to their maximum capacity
- Charging or charge maintenance made from conventional lead-acid, lead-calcium/silver or AGM/MF batteries as well as maintenance free lead-gel batteries without the need to disconnect from the vehicle electrical system
- Test function for start ability and generator operability
- Battery charge status display via bar chart on the display
- Charging of reverse charged batteries possible
- Based on inverter technology

Technical Data

| | |
|-------------------------------------------|------------------------------------------|
| Nominal charging voltage: | 6/12 V |
| Max. charging current (arith.): | 3 A / 2 A |
| Max. charging current (effective): | 4 A / 3 A |
| Max. battery capacity: | 6 V: 2 - 135 Ah 12 V: 1.5 - 100 Ah |
| Supply voltage +/- 15%: | 230 V |
| Max. power input: | 18 W / 24 W |
| Final charge voltage: | 6 V: 6.75 - 7.2 V 12 V: 13.5 - 14.4 V |
| Charge characteristics: | IUoU |
| Dimensions (LxWxH): | 119 x 72 x 52 mm |
| Cable length: | 1.95 m |

| Article No. | Article Description | QTY |
|-------------|--------------------------------|-----|
| 5439 200 3 | BATT.CHARG.AUTO.ACC.EASY 6/12V | 1 |

Included in delivery:

Battery charger 6/12V - 4A, cable with clamps, cable with car plug



Battery Charger Acctiva Professional

- Automatic presetting of battery charge voltage at 6V, 12V and 24V
- Charging/re-charging or charge maintenance made from conventional lead-acid, lead-calcium/silver or AGM/MF batteries as well as maintenance free lead-gel batteries without the need to disconnect from the vehicle electrical system
- Charging of reverse charged batteries possible
- Automatic switch over to charge maintenance after complete charge
- Electronic inverse-polarity protection, thermal overload protection safety shutdown, power surge protection
- Based on inverter technology
- No loss of data when dismantling the battery (e.g. radio, clock etc.) replaces the battery temporarily as power supply unit
- Refresh-characteristics, weak, used or sulphated batteries can be regenerated with this function (de-sulphating)

Technical Data

| | |
|----------------------------------|-------------------|
| Nominal charging voltage: | 6 V / 12 V / 24 V |
| Max. charging voltage: | 30 A |
| Max. battery capacity: | 3 - 300 Ah |
| Supply voltage +/- 15%: | 230 V |
| Max. power input: | 1080 W |
| Final charge voltage: | 6.75 - 32.4 V |
| Charge characteristics: | IUoU / IUloU / IU |
| Dimensions (LxWxH): | 285 x 142 x 70 mm |
| Weight: | 2 kg |
| Cable length: | 3.5 m |



| Article No. | Article Description | QTY |
|--------------|--------------------------------|-----|
| 5439 200 1 | BAT.CHAR.AUTO.ACCTI.PROF.CASE | 1 |
| 5439 200 1 1 | BAT.CHAR.AUTO.ACCTI.PRO.CARTON | 1 |

Included in delivery:

Art. No. 5439 200 1:

- Charging cable with clamps (3.5m) housing base set, system case

Art. No. 5439 200 1 1:

- Charging cable with clamps (2.5m)

Battery Charger Acctiva Professional Flash

- Charging/re-charging or charge maintenance made from conventional lead-acid, lead-calcium/silver or AGM/MF batteries as well as maintenance free lead-gel batteries without the need to disconnect from the vehicle electrical system
- Charging of reverse charged batteries possible
- All functions (battery capacity, nominal voltage, service function, FSV/buffer function) can be easily set on the display
- All current charge data (charge current, charge voltage, charged Ah) are shown on the display
- Electronic inverse-polarity protection, thermal overload protection safety shutdown, power surge protection
- Integrated USB-interface
- Based on inverter technology
- No loss of data when dismantling the battery (e.g. radio, clock etc.) replaces the battery temporarily as power supply unit
- Refresh-characteristics, weak, used or sulphated batteries can be regenerated with this function (de-sulphating)
- Microprocessor controlled battery charger with fast charge function

Technical Data

| | |
|--------------------------------------------------|--------------------|
| Nominal charging voltage: | 12 V |
| Max. charge current / max. boots current: | 50 / 70 A |
| Max. battery capacity: | 10 - 250 Ah |
| Supply voltage +/- 15%: | 230 - 240 V |
| Max. power input: | 1230 W |
| Final charge voltage: | 13.5 - 16.2 V |
| Charge characteristics: | IUoU / IUloU / IU |
| Dimensions (LxWxH): | 315 x 200 x 110 mm |
| Weight: | 5 kg |
| Cable length: | 5 m |



| Article No. | Article Description | QTY |
|-------------|--------------------------------|-----|
| 5439 200 2 | BAT.CHARG.AUTO.ACCT.PROF.FLASH | 1 |

Included in delivery:

Battery charger 12V, cable 5 m with all-insulated clamps pluggable, power cable 5 m pluggable, USB interface

080

Battery Charger Acctiva Seller

- Especially suitable for the use in showrooms and vehicle presentations
- Universally for automotive batteries such as conventional lead-acid, lead calcium/silver or fleece batteries (AGM, MF) as well as maintenance-free lead-gel batteries
- Based on inverter technology
- Reverse battery protection, overload protection and safety shutdown
- Fan-less, prevents disturbing noises in the showroom
- Plug & Charge
- Power supply from the device and not from the battery; battery is protected and no constant discharging and charging necessary

Fields of application:

- Showrooms, vehicle presentations and new vehicle collection

Technical Data

| | |
|--------------------------------------------|-----------------------------------------------------|
| Charging voltage | 12 V |
| Max. charging current | 30 A |
| Max. batterie capacity | 44-300 Ah |
| Mains voltage $\pm 15\%$ | 230 V (50/60Hz) |
| Charger characteristics | IUoU phase of power supply/ phase of maintenance |
| Dimension (LxWxH) | 270 x 168 x 100 mm |
| Weight | 2.4 kg |



| Article No. | Article Description | QTY |
|-------------|-----------------------------|-----|
| 5439 200 4 | BATT.LADEGER.ACCTIVA SELLER | 1 |

Included in delivery:

- Power supply device 12V, charging cable with clamps 2.5 m pluggable, power cable 5 m pluggable, edge protection

Current approvals and recommendations for Fronius battery charging devices

| Manufacturer/product | Acctiva Easy 5439 200/ 5439 200 3 | Acctiva Professional 5439 200 1 | Acctiva Professional Flash 5439 200 2 | Acctiva Seller 5439 200 4 |
|----------------------|--------------------------------------|------------------------------------|------------------------------------------|------------------------------|
| Porsche AG | X | X | X | X |
| Mercedes Benz | X | X | X | |
| Smart | X | X | X | |
| Maybach | X | X | X | |
| Hyundai | X | | X | |
| Renault | | | X | |
| Renault Truck | | X | | |
| Opel | X | X | X | X |
| Mercedes Benz Truck | | X | | |
| Unimog | | X | | |
| EvoBus | | X | | |
| MAN Truck & Bus | | X | | |
| Neoplan Bus | | X | | |

More OEM-references: Audi, VW, Skoda, Seat, Bugatti, Bentley, Lamborghini, BMW, BMW Motorcycle, KTM, Ducati, ...

Battery Charger 12V 750mA

- 2-level automatic charging system 12 V / 750 mA
- Charging up to approx. 14 V > automatic switch into retention mode
- 2 colour LED display (charging/retention)
- Fully insulated bike/car clamps and cigarette lighter plug
- Battery saving long term connection, also for maintenance free batteries



| Article No. | Article Description | QTY |
|-------------|---------------------------|-----|
| 5439 63 | BATTERY CHARGER 12V 750MA | 1 |

Battery Tester BT 12V

- 12 Volt
- Voltmeter 7 - 15V
- Simple menu navigation
- Cold start current (CCA) 200-1500A according to standard
- Standard: DIN, EN, SAE, IEC
- Battery types: Standard / SLI/ URLA/ GEL/ AGM



| Article No. | Article Description | QTY |
|-------------|-----------------------|-----|
| 5439 23 | BATTERY TESTER BT 12V | 1 |

Battery Test Device Arlec-Check

- Simple battery tester for battery and load circuit
- **Attention:** no cold current measurement (static load test)
- Battery capacity test in volt with LED display 50/75/100%



| Article No. | Article Description | QTY |
|-------------|----------------------------|-----|
| 5439 69 | BATTERY-TESTER ARLEC-CHECK | 1 |

Battery Test Device Argus AA500PWP

- Digital battery tester with printer
- 12 Volt
- Suitable for all lead acid batteries
- Electronics safe
- Voltage and temperature compensated
- Static load test on vehicle
- In standby bag
- 3 measuring results:**
 - Charging status (temperature compensated)
 - Remaining lifespan of battery
 - Static load test on vehicle



| Article No. | Article Description | QTY |
|-------------|--------------------------------|------|
| 5439 100 | BATT.TEST DEV. ARGUS AA500 PWP | 1 |
| 5439 100 1 | THERMAL PAPER F.BAT.CHAR.ARGUS | e 12 |

Included in delivery:

- 2x thermal paper

Multimeter Pocket

- Handy, battery operated pocket multimeter with a 26 mm high, easily to read LCD display
- Functions: DC V, AC V, resistor, capacity, frequency, diodes and continuity test

Technical Data

| | |
|-------------------------|----------------------------------------------|
| Display: | 3 3/4 digit, digit size 16 mm |
| DC/AC voltage: | 400 mV - 600 V |
| Resistor: | 400 Ohm - 40 M Ohm |
| Capacity: | 4 nF - 200 µF |
| Frequency: | 100 Hz - 30 MHz |
| Continuity test: | Acoustic Signal <50 |
| Diode test: | Reverse voltage 0 - 1.5 V |
| TÜV/GS: | IEC/EN 61010-1 |
| Power supply: | 2x Item Number 3882 32 coin cell LR 44 1.5 V |
| Dimensions: | 117 x 82 x 19 mm |
| Weight: | 105 g |



| Article No. | Article Description | QTY |
|-------------|---------------------|-----|
| 3791 13 | MULTIMETER POCKET | 1 |

Included in delivery:

- 2x measuring cable
- 2x Art. No. 3882 32 coin cells LR 44 1.5V

Multimeter UT 52

- Multiple measuring device for electricity, current, resistor, capacity, diodes, transistor and continuity checks
- Robust design and shock proof housing ensure a long life span
- Diode continuity check with acoustic signal
- In toolbox

Technical Data

| | |
|------------------------|--------------------------------------------------------------------|
| Display: | 3 1/2-digit, digit size 27 mm |
| Direct current: | 200 mV - 1000 V |
| AC voltage: | 200 mV - 750 V |
| DC/AC current | 20 µA - 10 A |
| Resistor: | 200 Ohm - 20 M Ohm |
| Dimensions | L 190 X W 88 X H 34 mm |
| Weight: | - Multimeter 270 g, - Multimeter + holder and tilt stand: 550 g |

| Article No. | Article Description | QTY |
|-------------|------------------------------|-----|
| 3791 21 | MULTIMETER UT52 | 1 |
| 3791 25 | PAIR TEST.CABLE F.MULTIMETER | 1 |

Included in delivery:

- 2x measuring cable
- 1x Art. No. 3880 9 battery E-Block 9V



Multimeter UT 30 B

- Multiple measuring device for electricity, current, resistor, capacity, diodes, transistor and continuity checks (without acoustic signal)
- Compact design
- In VAROsoft tool deposit

Technical Data

| | |
|-----------------------|--------------------------------|
| Display: | 3 1/2 digits, digit size 13 mm |
| Resistor: | 200 Ohm - 20 m Ohm |
| DC current: | 200 µA - 10 A |
| DC/AC current: | 200 mV - 500 V |
| Dimensions: | L 130 X W 75 X H 36 mm |
| Weight: | 150 g |

| Article No. | Article Description | QTY |
|-------------|------------------------------|-----|
| 3791 11 | MULTIMETER UT30B | 1 |
| 3791 25 | PAIR TEST.CABLE F.MULTIMETER | 1 |

Included in delivery:

- 2x measuring cable
- 1x Art. No. 3880 9 battery E-Block 9V



Test Equipment Set PMS 4

| Article No. | Article Description | QTY |
|-------------|-----------------------------|-----|
| 3791 9 | TEST EQUIPMENT SET PMS 4 | 1 |
| 3791 9 1 | CLAMP PROBE BLACK | 1 z |
| 3791 9 2 | CLAMP PROBE RED | 1 z |
| 3791 9 3 | PROBE BLACK | 1 w |
| 3791 9 4 | PROBE RED | 1 w |
| 3791 9 5 | ALLIGATOR CLIP BLACK | 1 w |
| 3791 9 6 | ALLIGATOR CLIP RED | 1 w |
| 3791 9 7 | MEASURING LEAD 1000MM BLACK | 1 g |
| 3791 9 8 | MEASURING LEAD 1000MM RED | 1 g |

Art. No. 3791 9:

- 2x clamp probes
- 2x probes
- 2x alligator clip
- 2x measuring lead



Multifunctional Test Device 'Power Probe'

- To operate electrical components e.g. radiator fan motors, window lift motor, electric fuel pumps, relays, lamps, etc.
- Immediate continuity test of e.g. switches, relays, diodes, fuses, wiring harness etc.
- Fast finding of short circuits, short circuit protection, no application of fuses
- Immediate detection of bad ground closure
- Fast check of electrical systems in vehicle, no search for grounds
- Immediate self test at the power switch
- Suitable for polarity determination and for lighting test of trailer
- With 6 meter long cable



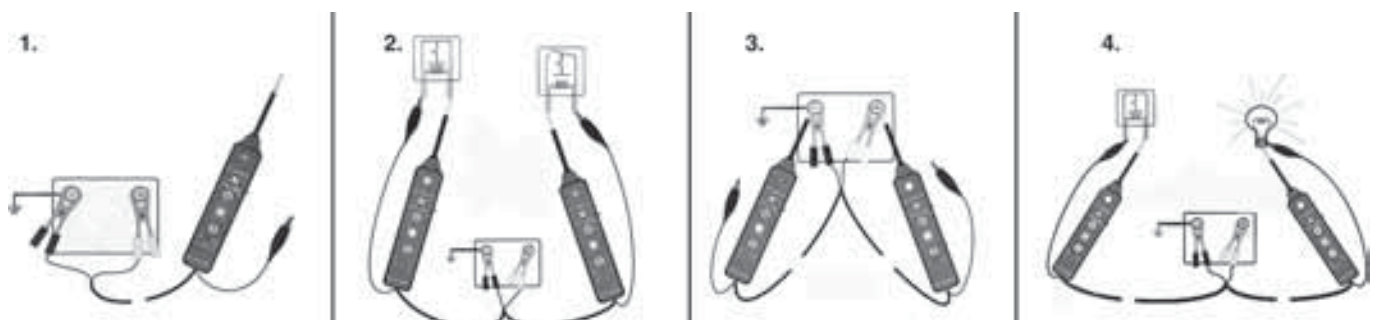
Technical Data

| | | |
|---------------------------------|---------|---------|
| Operating voltage: | 12 Volt | 24 Volt |
| Connection charging rate | 6 mA | 12 mA |
| Current entry: | 8 A | 8 A |
| Peak voltage: | 6 Volt | 12 Volt |
| (not connected) | | |
| LED charging rate: | 10 mA | 20 mA |

| Article No. | Article Description | QTY |
|-------------|---------------------|-----|
| 5439 172 | POWER PROBE AZ 172 | 1 |

Application:

1. Component test
2. Self test
 - Green display = continuity
 - No display = no continuity
3. Polarity determination
 - Green = negative voltage
 - Red = positive voltage
 - No display = open contact
4. Continuity test
 - Red display = test can be continued



Clip-on Ammeter with LCD Display

- Measurement of AC and DC voltage, continuity test, diode test, resistance measuring possible
- Digital miniature clip-on ammeter with legible LCD display and a bargraph display
- Manual or automatic measurement of range makes various and safe work possible
- Quick analogue bargraph-display with 42 steps, automatic display of functions and symbols
- Exceedance display: display shows 'OL' when more than 4000 V are measured
- In case of too low working voltage of the battery the display shows the battery symbol
- In high-quality transport bag



Technical Data

| | |
|----------------------------------------|---------------------------------------------------------------------------|
| Voltage range DC/AC: | 0.1 V to 600 V |
| Current range DC/AC: | 0.01 A to 400 A |
| Continuity test, acoustic: | Continuity-signal ≤ 40 Ohm |
| Resistance measuring: | 0.1 Ohm to 400 Ohm |
| Environmental condition: | Installation categories II |
| Environmental protection class: | 2 altitude < 2000 m |
| Working temperature: | 0 to $+40^{\circ}\text{C}$, $< 80\%$ rel. h, non-condensing |
| Storage temperature: | -10° to $+60^{\circ}\text{C}$, $< 70\%$ rel. h, without battery |
| Max. voltage: | 600 V rms (between adapters and earth) |
| Operation: | Dual-slope-method |
| Scanning: | 2x/sec. for digital data 20x/sec. for analogue bargraph |
| Display: | 3 3/4 digits LC-Display with max. display 3999 |
| Polarity display: | automatic display “_” |
| Automatic switch off: | after 30 mins. |
| Overvoltage category: | Cat IV 600 V IEC 1010-1 |
| Protection class: | IP 44 |
| Clip opening: | max. cable- \varnothing 28 mm |
| Power supply: | 2x Art. No. 3880 15 3 Batterie VARTA Alkaline 1.5 V |
| Dimension WxHxD: | 194 x 72 x 35 mm |
| Weight: | 200 g (with batteries) |

| Article No. | Article Description | QTY |
|-------------|------------------------|-----|
| 3791 30 | CLIP-ON AMMETER TV 216 | 1 |

Included in delivery:

- 2x measuring leads
- 2x Art. No. 3880 15 3 batterie VARTA Alkaline 1.5 V

Proximity Type Voltage Tester

- Voltage tester with LED pocket lamp function makes tests in dark rooms without risk possible
- Reliably detects AC voltages at cable connections, cable drums, sockets, switches, junction boxes, etc.
- Voltage tester detects cable discontinuities, faults in switches, burnt-out fuses, defective bulbs in chains of lights etc. without any direct metallic contact
- Test probe illuminates when voltage is applied



Technical Data

| | |
|----------------------------------|----------------------------------------------------|
| Display: | LED, red |
| Measuring range: | 120 – 1000 V AC |
| Response characteristics: | from approx. 4 mm |
| Protection class: | IP 44 |
| Overvoltage category: | CAT III 1000 V |
| Safety standard: | EN 61010 |
| Dimensions LxW: | 160 x 25 mm |
| Weight: | 45 g |
| Power supply: | 2x Art. No. 3880 15 3 Battery Alkaline Micro 1.5 V |

| Article No. | Article Description | QTY |
|-------------|------------------------------|-----|
| 3791 5 | PROX.TYPE VOLTAGE TESTER 100 | 1 |

Included in delivery:

- 2x Art. No. 3880 15 3 Battery Alkaline Micro 1.5 V

Proximity Type Magnet Tester

- Voltage tester with LED pocket lamp function
- Magnetic field tester for testing all magnetic fields in pneumatic and hydraulic systems
- Test probe illuminates without metallic having contact with the magnetic field e.g. activated magnetic coil in magnetic valve
- Tester reacts to 3-phase, DC and permanent magnets, in motor vehicle and commercial vehicle range, plumbing and heating sector as well as numerous industrial branches



Function check:

- Remove the test magnet from the clip on magnetic field tester and hold it against the tip of the tester, which then illuminates
- If the test lamp does not illuminate, replace the batteries
- The built-in pocket lamp can be switched by turning the cap

Technical Data

| | |
|----------------------------------|----------------------------------------------------|
| Display: | LED, red |
| Measuring range: | all magnetic fields |
| Response characteristics: | from approx. 4 mm |
| Protection class: | IP 44 |
| Overvoltage category: | CAT II 1000 V |
| Safety standard: | IEC/EN 61010-1 |
| Dimension LxW: | 160 x 25 mm |
| Weight: | 45 g |
| Power supply: | 2x Art. No. 3880 15 3 Battery Alkaline Micro 1.5 V |

| Article No. | Article Description | QTY |
|-------------|------------------------------|-----|
| 3791 6 | PROX.MAGNETIC FIELD TEST.130 | 1 |

Included in delivery:

- 2x Art. No. 3880 15 3 Battery Alkaline Micro 1.5 V

Continuity and Line Tester

- Universal continuity and line tester
- Optical and acoustic continuity testing
- Contact-free voltage testing
- Single-pole phase testing
 - pocket lamp function with LED technology with up to 80 hrs illumination time
 - due to insulation the tester detects voltages and exactly shows them until power interruption



Technical Data

| | |
|------------------------------|----------------------------------------------------|
| Continuity test: | optical 0 ~ 20 Ohm acoustic 0 ~ 250 Ohm |
| Test voltage: | 4,5 V |
| Test current: | optical ~ 10 mA acoustic ~ 2 mA |
| Strength of voltage: | 400 V |
| Overvoltage category: | CAT II 690 V |
| Safety standard: | EN 61010 |
| Protection class: | IP 44 |
| Power supply: | 3x Art. No. 3880 15 3 Battery Alkaline Micro 1.5 V |
| Dimension LxWxH: | 120 x 60 x 30 mm |

| Article No. | Article Description | QTY |
|-------------|----------------------|-----|
| 3791 35 | CONTINUITY TESTER 20 | 1 |

Included in delivery:

- 3x Art. No. 3880 15 3 Battery Alkaline Micro 1.5 V

Voltage Tester LCD, 2-Pole

- Universal voltage tester
- For testing AC/DC voltage and polarity display
- Displays rotating field direction
- Tests phases
- Continuity testing
- Voltage testing with FI/RCD-trip test
- Tests earthed conductor
 - Tip covering reduces risk of injury



Technical Data

| | |
|-------------------------------|------------------------------------------------------------------------------------------------------|
| Display: | LCD 3.5 digits, LCD for phase and rotating field 4 LED's for ACV, DCV, Ohm and Data Hold |
| Control panel: | ON/OFF button, D-H button finger contact (back side) |
| Nominal voltage range: | automatic measuring range selection voltage 12 – 690 V AC/DC, 0...400 Hz resistance 0-2000 Ohm |
| Acoustic signal: | ~ 35 Ohm |
| Phase display: | > 100 V AC |
| Automatic load: | Is ~ 30 mA ED(DT) = 30 secs. |
| Test current: | ~ 30 mA |
| Frequency range: | 0 – 400 Hz |
| Continuity test: | 0 – 2 kOhm |
| Temperature range: | -10°C ~ +55°C |
| Safety standard: | IEC/EN 61243-3, DIN VDE 0682-401 |
| Overvoltage category: | Cat III 690 V |
| Protection class: | IP 65 |
| Power supply: | 1x Art. No. 3880 15 3 Battery Alkaline Micro 1.5 V |
| Dimension LxWxH: | 238 x 70 x 30 mm |
| Length: | 920 mm |
| Weight: | 200 g |

| Article No. | Article Description | QTY |
|-------------|-------------------------|-----|
| 3791 33 1 | LCD PLUS VOLTAGE TESTER | 1 |

Included in delivery:

- 1x Art. No. 3880 15 3 Battery Alkaline Micro 1.5 V

Voltage Tester LED, 2-Pole

- Universal voltage tester
- Direct and alternating voltage, displays polarity
- Phase sequence indicator
- Phase tester
- Continuity check
- Voltage test with FI/RCD-release test
- Protective conductor test
- Tests its own source of power
 - Tip cover minimizes risk of injury



Technical Data

| | |
|-------------------------------------|--------------------------------------------------------------------------------------------------------------------------------------------------------------------------------------|
| Display: | 10 LED's for voltage RX/Ohm and L1/phase |
| Control panel: | Finger contact |
| Nominal voltage range: | Automatic measuring range selectio Voltage 12 – 690 V AC/DC, 0...400 Hz Phases 12, 24, 48, 120, 230, 400 and 690 V Resistance 0-500 kOhm with acoustic signal > 100 V AC |
| Phase display: | |
| Automatic charge: | Is ~ 30 mA ED(DT) = 30sec |
| Test current: | < 30 mA |
| Base charge: | approx. 2 W (at 690 V) |
| Reaction time: | < 0.1 s |
| Diode test/resistance range: | 0 – 500 kOhm, acoustic signal |
| Frequency range | 0 – 400 Hz |
| Continuity test: | 0 – 400 kOhm |
| Temperature range: | -10°C to +55°C |
| Safety standard: | EN 61010 |
| Overvoltage category: | Cat III 690 V |
| Protection class: | IP 65 |
| Connection lead: | PVC cable |
| Power supply: | 2x Art.No. 3880 15 3 Battery Alkaline Micro 1.5 V |
| Dimension LxWxH: | 238 x 70 x 30 mm |
| Length: | 920 mm |
| Weight: | 200 g |

| Article No. | Article Description | QTY |
|-------------|-------------------------|-----|
| 3791 34 1 | LED PLUS VOLTAGE TESTER | 1 |

Included in delivery:

- 2x Art. No. 3880 15 3 Battery Alkaline Micro 1.5 V

Wire Finder Set 26, with LED Pocket Lamp

- Finds electrical leads in the wall and in cable routes, also contact-less or no stripping of insulation
- Detects pairs of leads of telephone systems
- Detects safety sensors of alarm and fire alarm systems
- Detects network leads
- Locates metallic water and heating tubes
- Lead finding under plaster of all metallic leads
- Detection of unloaded leads also at big distances
- Transfer of transmitter signals with alligator clips or with modular plug
- Integrated LED pocket lamp
- Sleeve for one earphone for works in noisy rooms
- Voltage-stable up to 400 V
- Stepless adjustment of sensitivity
- Sound can be switche (continuous or alternating)

Technical Data

| | |
|------------------------|--------------------------------------------------------------|
| Display: | acoustic |
| Power supply: | 2 x 9 V |
| Dimension: | 230 x 55 x 23 mm (receiver) 55 x 57 x 23 mm (transmitter) |
| Weight: | 244 g |
| Safety standard | IEC/EN 61010-1 (DIN VDE 0411) |



Included in delivery:

- 1 x Instruction manual
- 1 x Transmitter
- 1 x Receiver
- 2 x Battery 9 V Block
- 1 x Pouch

| Article No. | Article Description | QTY |
|-------------|---------------------|-----|
| 3791 7 | WIRE FINDER SET 26 | 1 |

Megalight Headlamp Bulbs

- Up to 30 to 60% more light performance on the road
- Increased range of vision allows earlier recognition of objects and situations

| Article No. | Article Description | QTY |
|-------------|--------------------------------|------|
| 3801 1134 | 12V BULB H4+30% MEGA HA.60/55W | e 10 |
| 3801 11134 | (DUO PACK X2) 12V MEGA BULB PA | 1 |



VisionPlus Headlamp Bulb

- Up to 50% more light performance on the road
- Earlier recognition due to improved range of vision
- Better reflection of road markings and signs
- It is necessary to increase the range of view in front of the car for earlier recognition of obstacles earlier in darkness or bad weather.
- VisionPlus headlamp bulbs from Philips not only produce 50% more light; they also illuminate the road better over a longer distance
- These bulbs provide a beam of light 10-20 m longer than other bulbs, depending on the type of OE bulb installed
- This improved vision, amounting to the length of approximately two cars, can be decisive during emergency braking manoeuvres



| Article No. | Article Description | QTY |
|-------------|------------------------------|-----|
| 3801 0001 | VISION PLUS DUO PACK H4 +50% | e 5 |
| 3801 0002 | VISION PLUS DUO PACK H7 +50% | e 5 |
| 3801 0003 | VISION PLUS DUO PACK H1 +50% | e 5 |

Superblue Headlamp Bulbs

- Xenon-characteristics with white light
- Better view and greater awareness due to brighter light

| Article No. | Article Description | QTY |
|-------------|--------------------------------|------|
| 3801 11111 | 12V BULB H1 XEN.SUPERBLUE 55W | e 10 |
| 3801 11121 | 12V BULB H3 XEN.SUPERBLUE 55W | e 10 |
| 3801 11101 | 12V BULB H4 XEN.SUPERBL.60/55W | e 10 |
| 3801 11117 | 12V BULB H7 XEN.SUPERBLUE 55W | e 10 |



Halogen Headlamp Bulbs

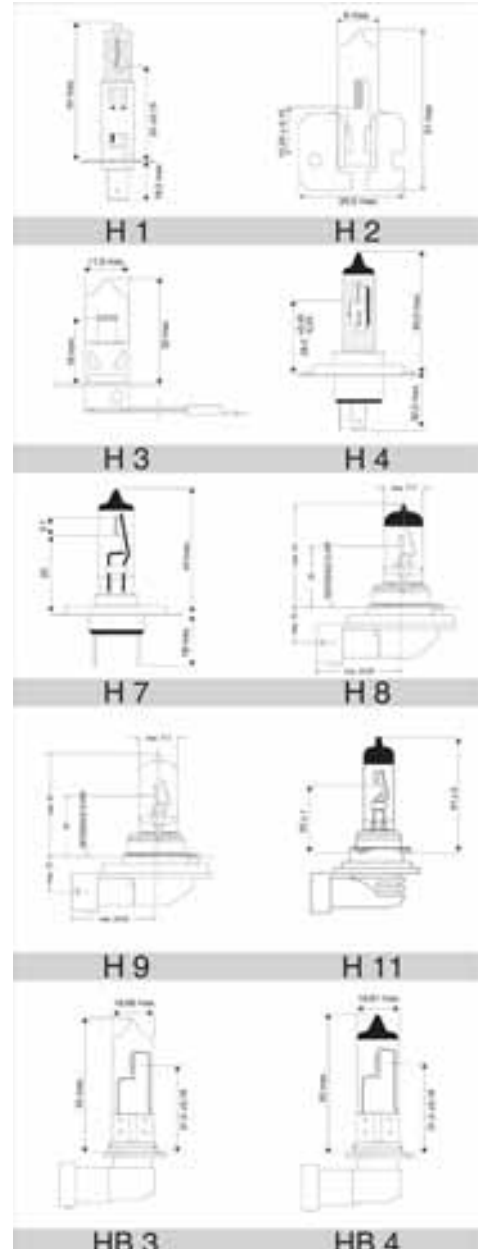
• All FÖRCH halogen bulbs are UV-free

| Technical Data | |
|----------------|----------|
| ECE/DIN 72061 | Base |
| H 1 | P 14.5 s |
| H 2 | X511 |
| H 3 | PK 22 s |
| H 4 | P 43 t |
| H 7 | PX 26 d |
| H 8 | PGJ 19-1 |
| H 9 | PGJ 19-5 |
| H 11 | PGJ 19-2 |
| HB 3 | P 20 d |
| HB 4 | P 22 d |

| Article No. | Article Description | QTY |
|-------------|--------------------------------|------|
| 3801 1111 | 12V H1 HALOGEN BULB 55W 5* | e 10 |
| 3801 1131 | 12V H2 HALOGEN BULB 55W 5* | e 10 |
| 3801 1121 | 12V H3 HALOGEN BULB 55W 5* | e 10 |
| 3801 1101 | 12V H4 HALOGEN BULB 60/55W 5* | e 10 |
| 3801 1117 | 12V H7 HALOGEN BULB LIFE55W 5* | e 10 |
| 3801 1117 1 | 12V H7 HALOGEN BULB 55W 5* | e 10 |
| 3801 1186 | 12V H8 HALOGEN BULB 35W 5* | e 10 |
| 3801 1187 | 12V H9 HALOGEN BULB 65W 5* | e 10 |
| 3801 1189 | 12V H11 HALOGEN BULB 55W 5* | e 10 |
| 3801 1177 | 12V HB3 HALOGEN BULB 60W 5* | e 10 |
| 3801 1178 | 12V HB4 HALOGEN BULB 51W 5* | e 10 |
| 3802 1112 | 24V H1 HALOGEN BULB 70W 5* | e 10 |
| 3802 1132 | 24V H2 HALOGEN BULB 70W 5* | e 10 |
| 3802 1122 | 24V H3 HALOGEN BULB 70W 5* | e 10 |
| 3802 1102 | 24V H4 BULB HALOGEN 75/70W 5* | e 10 |
| 3802 1107 | 24V H4 HAL.BU.H.DUTY 75/70W 5* | e 10 |
| 3802 1119 | 24V H7 HALOGEN BULB 70W 5* | e 10 |

Part No. 3801 1189: Application H11 e.g. for Audi A4, BMW 300 series, DC E-Models, M-Models, Ford Mondeo, Peugeot 406, Renault, VW Phaeton fog-lights and for Ford GM American models, Harley Davidson as dim light.

Part No. 3802 1107: Heavy-Duty = Max. resistance to vibration



Halogen Headlamp Bulbs **ECO**

- UV-free

Technical Data

| ECE/DIN 72061 | Base |
|---------------|----------|
| H1 | P1 4.5 s |
| H3 | PK 22 s |
| H4 | P 43 t |
| H7 | PX 26 d |

| Article No. | Article Description | QTY |
|-------------|--------------------------------|------|
| 3801N 1101 | 12V H4 HALOGEN BULB 60/55W ECO | e 10 |
| 3801N 1111 | 12V H1 HALOGEN BULB 55W ECO | e 10 |
| 3801N 1117 | 12V H7 LONG LIFE BULB 55W ECO | e 10 |
| 3801N 1121 | 12 H3 HALOGEN BULB 55W ECO | e 10 |
| 3802N 1102 | 24V H4 HALOGEN BULB 75/70W ECO | e 10 |
| 3802N 1107 | 24V H4 HD HALOGEN BULB ECO | e 10 |
| 3802N 1112 | 24V H1 HALOGEN BULB 70W ECO | e 10 |
| 3802N 1114 | 24V H1 HD LAMP TL 70W ECO | e 10 |
| 3802N 1119 | 24V H7 HALOGEN BULB 70W ECO | e 10 |
| 3802N 1120 | 24V H7 HD LAMP TL 70W ECO | e 10 |
| 3802N 1122 | 24V H3 HALOGEN BULB 70W ECO | e 10 |

Part No. 3802 1107:

Heavy-Duty = Max. resistance to vibration



Xenon Headlamp Bulbs **GREEN**

- 12V + 24V, 35 W
- 2 designs for all Xenon-systems

Technical Data

| ECE/DIN 72061 | Base |
|---------------|-----------|
| D1S | PK 32d -2 |
| D2S | P32d - 2 |
| D2R | P32d - 3 |

| Article No. | Article Description | QTY |
|-------------|--------------------------------|-----|
| 3801 0999 | 12+24V D1S XE.DISC.LAMP 35W 5* | e 4 |
| 3801 1000 | 12+24V D2S XE.DISC.LAMP 35W 5* | e 3 |
| 3801 2000 | 12+24V D2R XE.DISC.LAMP 35W 5* | 1 |

Part. No. 3801 0999:

Discharge lamp with integrated ignition device

Part No. 3801 1000:

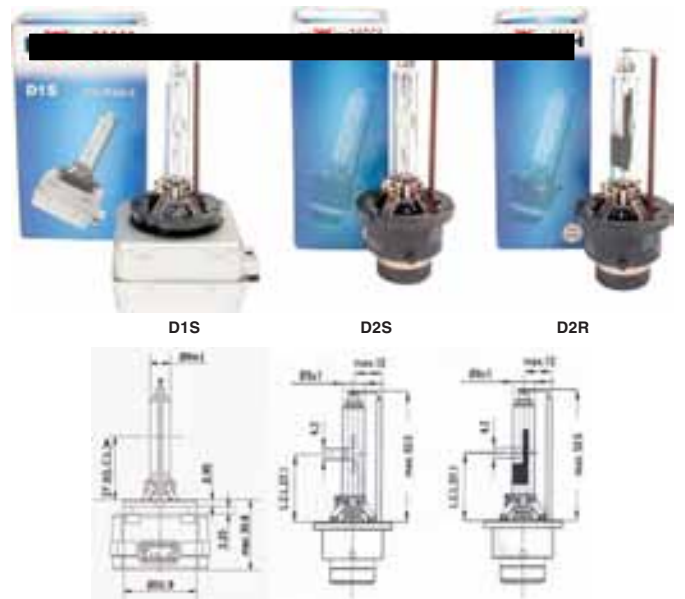
D2S design

Ellipse form with lens of the headlight

Art.Nr. 3801 2000:

D2R design

Complex without lens of the headlight



Asymmetric Bulbs **GREEN**

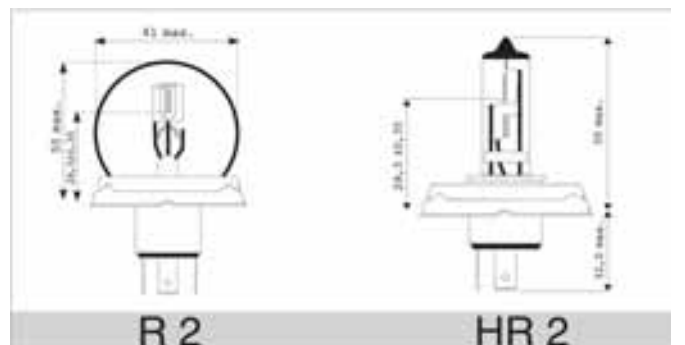
Technical Data

| ECE/DIN 72061 | Base |
|---------------|--------|
| R 2 | P 45 t |
| HR 2 | P 45 t |

| Article No. | Article Description | QTY |
|-------------|--------------------------------|------|
| 3801 1199 | 12V HR2 HALOGEN BULB 45/40W 5* | e 10 |
| 3801 1201 | 12V R2 ASYMM.BULB 45/40W 5* | e 10 |
| 3802 1202 | 24V R2 ASYMM.BULB 55/50W 5* | e 10 |

Part No. 3801 1199:

This bulb can be used instead of the standard asymmetric bulb R2 12V 45/50W. The change to the HR2-version provides a significantly brighter illumination.



Halogen Reflector Lamps **ECO**

- UV free
- Suitable for searchlights and motor rally (not approved in the scope of the road traffic regulation and only applicable with correspondingly designated headlights)

| Technical Data | |
|----------------|----------|
| ECE/DIN 72061 | Base |
| H1 | P1 4.5 s |
| H3 | Pk 22 s |
| H4 | P 43 t |
| H7 | PX 26 d |

| Article No. | Article Description | QTY |
|-------------|------------------------------|------|
| 3801N 100 1 | HALOGEN LAMP ECO 12V H1 100W | e 10 |
| 3801N 100 3 | HALOGEN LAMP ECO 12V H3 100W | e 10 |
| 3801N 100 4 | HALOGEN LAMP ECO 12V H4 100W | e 10 |
| 3801N 100 7 | HALOGEN LAMP ECO 12V H7 100W | e 10 |

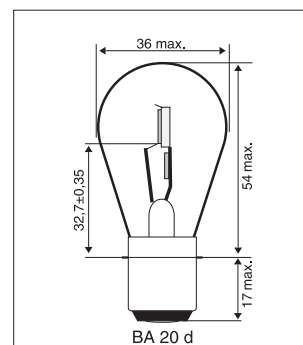


Symmetric Bulbs

- With 2 filaments

| Article No. | Article Description | QTY |
|-------------|------------------------------|------|
| 3803 1210 | 6V 25/25W BULB SYMMETR.BA20D | e 10 |
| 3803 1220 | 6V 35/35W BULB SYMMETR.BA20D | e 10 |
| 3801 1221 | 12V 35/35W BULB SYMM.BA20D | e 10 |

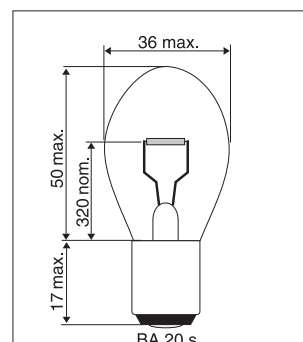
(V=Volt/W=Watt/base description)



Single Wire Headlamp Bulbs

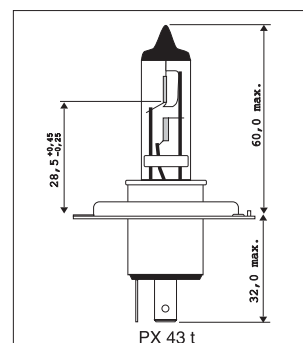
- U-bulb shape for blue and yellow rotating beacons

| Article No. | Article Description | QTY |
|-------------|---------------------|------|
| 3801 1241 | 12V BULB 35W BA20S | e 10 |
| 3802 1242 | 24V 35W BULB BA20S | e 10 |



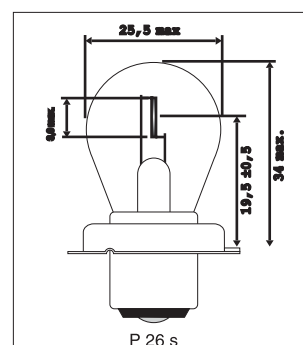
Halogen Bulbs for Motorbikes

| Article No. | Article Description | QTY |
|-------------|-------------------------------|------|
| 3801 1173 | 12V 35/35W BULB HALOGEN PX43T | e 10 |



Headlamp Bulbs for Motorbikes

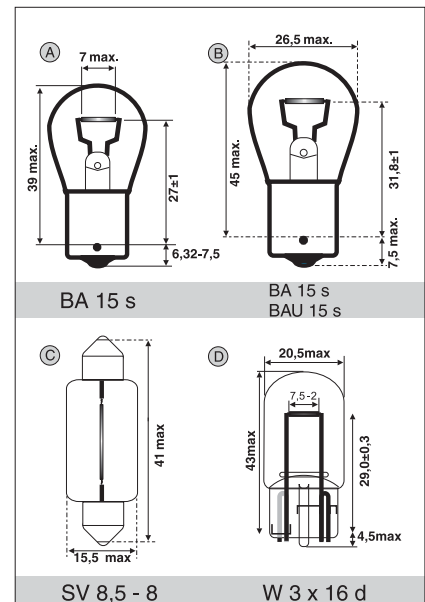
| Article No. | Article Description | QTY |
|-------------|---------------------|------|
| 3803 1364 | 6V 15W BULB P26S | e 10 |
| 3801 1365 | 12V 15W BULB P26S | e 10 |



Turn Signal and Brake Light Bulbs

| Article No. | Article Description | Pict. | QTY |
|-------------|----------------------------------|-------|-----|
| 3803 1300 | 6V 15W BULB SPHERICAL BA15S | A | 10 |
| 3803 1310 | 6V 18W BULB SPHERICAL BA15S | A | 10 |
| 3803 1320 | 6V 21W BULB SPHERICAL BA15S | B | 10 |
| 3801 1311 | 12V 18W BULB SPHERICAL BA15S | A | 10 |
| 3801 1321 | 12V 21W BULB SPHERICAL BA15S | B | 10 |
| 3801 1383 | 12V 21W BULB SPHER. YELL. BAU15S | B | 10 |
| 3801 1751 | 12V 18W BULB TUBULAR SV8, 5-8 | C | 10 |
| 3801 1761 | 12V 21W BULB TUBULAR SV8 5,5-8 | C | 10 |
| 3801 1631 | 12V 21W WEDGE BASE BULB W3X16DD | | 10 |
| 3802 1309 | 24V 21W BULB NO HD YELL. BAU15S | B | 10 |
| 3802 1312 | 24V 18W BULB SPHERICAL BA15S | A | 10 |
| 3802 1322 | 24V 21W BULB SPHERICAL BA15S | B | 10 |
| 3802 1752 | 24V 18W BULB TUBULAR SV 8,5-8 | C | 10 |
| 3801 1383 1 | 12V 21W BULB SPHER. SILV. BAU15S | B | 10 |

(V=Volt/W=Watt/base description)



Turn Signal and Brake Light Bulbs ECO

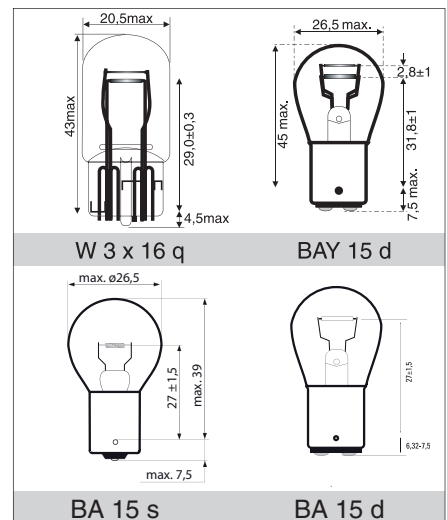
| Article No. | Article Description | Fig. | QTY |
|-------------|-----------------------------------|------|-----|
| 3801N 1321 | 12V 21W LAMP SPHERIC. BA15S ECO | B | 10 |
| 3801N 1383 | 12V 21W SPER. YEL. CONST. 15S ECO | B | 10 |
| 3802N 1309 | 24V 21W SPHE. YEL. CONST. 15S ECO | B | 10 |
| 3802N 1322 | 24V 21W LAMP SPHER. BA15S ECO | B | 10 |

Brake and Tail Light Bulbs

Part No. 3802 1302, 3802 1392 also usable for reading in the interior e.g. bus, truck or boats



| Article No. | Article Description | QTY |
|-------------|---------------------------------|-----|
| 3803 1340 | 6V 21/5W BULB SPHERICAL BAY15D | 10 |
| 3801 1341 | 12V 21/5W BULB SPHERIC. BAY15D | 10 |
| 3801 1632 | 12V 21/5W WEDGE BASE BU. W3X16Q | 10 |
| 3802 1342 | 24V 21/5W BULB SPHERIC. BAY15D | 10 |
| 3802 1302 | 24V 15W BULB SPHERICAL BA 15S | 10 |
| 3802 1392 | 24V 15W BULB SPHERICAL BA 15D | 10 |



Brake and Tail Light Bulbs ECO

| Article No. | Article Description | QTY |
|-------------|---------------------------------|-----|
| 3801N 1341 | 12V 21/5W BULB SPHE. BAY15D ECO | 10 |
| 3802N 1342 | 24V 21/5W BULB SPHE. BAY15D ECO | 10 |

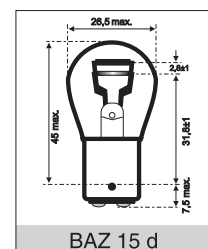
Rear Foglamp Bulbs



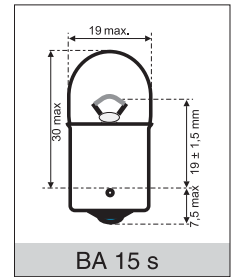
| Article No. | Article Description | QTY |
|-------------|--------------------------------|-----|
| 3801 1345 | 12V 21/4W BULB SPHERIC. BAZ15D | 10 |

Rear Foglamp Bulbs ECO

| Article No. | Article Description | QTY |
|-------------|---------------------------------|-----|
| 3801N 1345 | 12V 21/4W BULB SPHE. BAZ15D ECO | 10 |



Tail Lamp and License Plate Bulbs



| Article No. | Article Description | QTY |
|-------------|------------------------------|-----|
| 3803 1400 | 6V 5W BULB SPHEREICAL BA15S | 10 |
| 3803 1410 | 6V 10W BULB SPHERICAL BA15S | 10 |
| 3801 1401 | 12V 5W BULB SPHER BA15S | 10 |
| 3801 1411 | 12V 10W BULB SPHERICAL BA15S | 10 |
| 3802 1402 | 24V 5W BULB SPHER BA15S | 10 |
| 3802 1412 | 24V 10W BULB SPHERICAL BA15S | 10 |

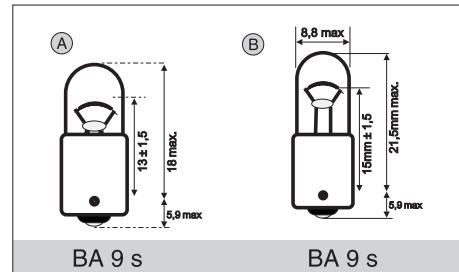
Tail Lamp and License Plate Bulbs ECO

| Article No. | Article Description | QTY |
|-------------|-------------------------------|-----|
| 3801N 1401 | 12V 5W LAMP SPHERIC.BA15S ECO | 10 |
| 3801N 1411 | 12V 10W LAMP SPHERI.BA15S ECO | 10 |
| 3802N 1402 | 24V 5W LAMP SPHERI.BA15S ECO | 10 |
| 3802N 1412 | 24V 10W LAMP SPHERI.BA15S ECO | 10 |

Parking Light Bulbs



| Article No. | Article Description | Pict. | QTY |
|-------------|--------------------------------|-------|-----|
| 3803 1510 | 6V 2W BULB PARKING LIGHT BA9S | A | 10 |
| 3801 1511 | 12V 2W BULB PARKING LIGHT BA9S | A | 10 |
| 3801 1501 | 12V 4W BULB PARKING LIGHT BA9S | B | 10 |
| 3802 1512 | 24V 2W BULB PARKING LIGHT BA9S | A | 10 |
| 3802 1502 | 24V 4W BULB PARKING LIGHT BA9S | B | 10 |



Parking Light Bulbs ECO

| Article No. | Article Description | Pict. | QTY |
|-------------|-----------------------------|-------|-----|
| 3801N 1501 | 12V 4W LAMP SPHERI.BA9S ECO | B | 10 |
| 3802N 1502 | 24V 4W LAMP SPHERI.BA9S ECO | B | 10 |

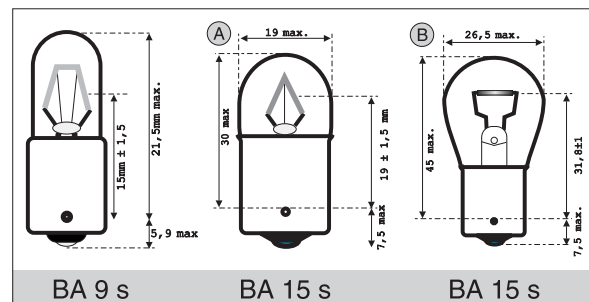
Heavy Duty Bulbs



- High shock resistance
- Multiple Service life for vehicles with 24V elec. systems (tested at 28V) especially for heavy trucks
- Red base seal for quick identification

| Article No. | Article Description | Pict. | QTY |
|-------------|-------------------------------|-------|-----|
| 3802 1506 | 24V 4W BULB HEAVY DUTY BA9S | | 10 |
| 3802 1406 | 24V 5W BULB HEAVY DUTY BA15S | A | 10 |
| 3802 1416 | 24V 10W BULB HEAVY DUTY BA15S | A | 10 |
| 3802 1326 | 24V 21W BULB HEAVY DUTY BA15S | B | 10 |

(V=Volt/W=Watt/base description)



Heavy Duty Bulbs ECO

- High shock resistance
- Multiple Service life for vehicles with 24V elect. systems (tested at 28V) especially for heavy trucks
- Red base seal for quick identification

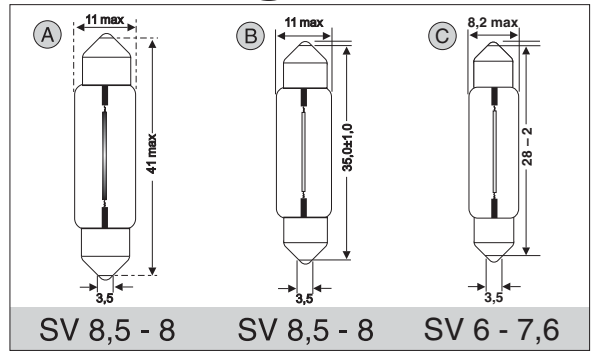
| Article No. | Article Description | Pict. | QTY |
|-------------|--------------------------------|-------|-----|
| 3802N 1506 | 24V 4W BULB HEAVY D.BA9S ECO | | 10 |
| 3802N 1406 | 24V 5W BULB HEAVY D.BA15S ECO | A | 10 |
| 3802N 1416 | 24V 10W BULB HEAVY D.BA15S ECO | A | 10 |
| 3802N 1326 | 24V 21W BULB HEAVY D.BA15S ECO | B | 10 |

(V=Volt/W=Watt/base description)

Tail Lamp and License Plate Bulbs



| Article No. | Article Description | Pict. | QTY |
|-------------|--------------------------------|-------|-----|
| 3803 1710 | 6V 5W BULB TUBUL.35MM SV8.5-8 | B | 10 |
| 3801 1701 | 12V 3W BULB TUB.28MM SV6-7.6 | C | 10 |
| 3801 1721 | 12V 5W BULB TUBUL.41MM SV8.5-8 | A | 10 |
| 3801 1715 | 12V 10W BULB TUB.28MM SV8.5-8 | B | 10 |
| 3801 1731 | 12V 10W BULB TUBU.41MM SV8.5-8 | A | 10 |
| 3801 1711 | 12V5WBULBSOF.35MMSV8.5-8 | B | 10 |
| 3802 1722 | 24V 5W BULB TUBUL.41MM SV8.5-8 | A | 10 |
| 3802 1732 | 24V 10W BULB TUBU.41MM SV8.5-8 | A | 10 |
| 3802 1712 | 24V 5W BULB SOF.35MM SV8.5-8 | B | 10 |

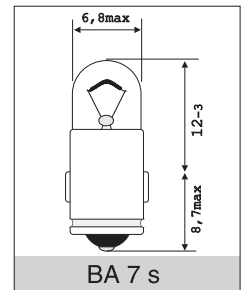


Tail Lamp and License Plate Bulbs ECO

| Article No. | Article Description | Abb. | QTY |
|-------------|--------------------------------|------|-----|
| 3801N 1731 | 12V10W BULB TU.41MM SV8.5-8ECO | A | 10 |
| 3801N 1711 | 12V 5W BULB TU.35MM SV8.5-8ECO | B | 10 |
| 3802N 1712 | 24V 5W BULB TU.35MM SV8.5-8ECO | B | 10 |

Indicator Bulbs

| Article No. | Article Description | QTY |
|-------------|-----------------------------|-----|
| 3803 1550 | 6V 1,2W INDICATOR BULB BA7S | 10 |
| 3801 1551 | 12V 2W INDICATOR BULB BA7S | 10 |
| 3802 1552 | 24V 3W INDICATOR BULB BA7S | 10 |



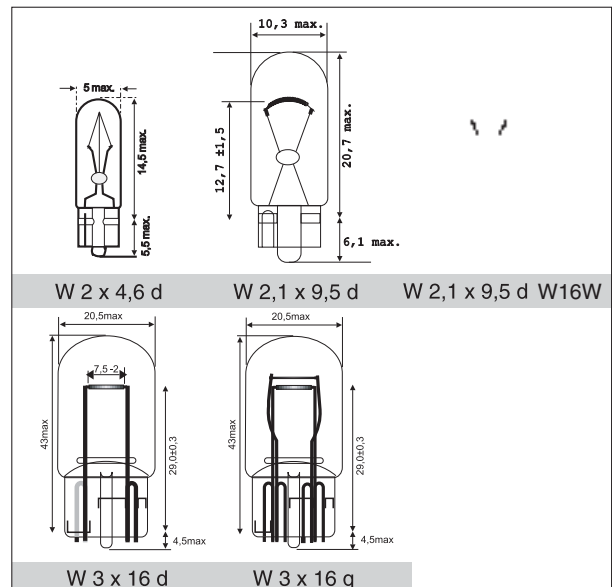
Wedge Base Bulbs



Technical Data

| Art. No. | Base |
|-----------|---------------------------|
| 3801 1603 | W 2 x 4.6 d bulb mat |
| 3801 1624 | W 2.1 x 9.5 d bulb orange |
| 3801 1625 | W 2.1 x 9.5 d bulb blue |

| Article No. | Article Description | QTY |
|-------------|--------------------------------|-----|
| 3801 1601 | 12V 1.2W WEDGE BASE BU.W2X4.6D | 10 |
| 3801 1603 | 12V 1.2W WEDGE BASE BULB MAT | 10 |
| 3801 27225 | 12V 2W WEDGE BASE BU.W2.1X9.5D | 10 |
| 3801 1604 | 12V 2.3W WEDGE BASE BU.W2X4.6D | 10 |
| 3801 1611 | 12V 3W WEDGE BASE BU.W2.1X9.5D | 10 |
| 3801 1621 | 12V 5W WEDGE BASE BU.W2.1X9.5D | 10 |
| 3801 1624 | 12V 5W WEDGE BASE BULB ORANGE | 10 |
| 3801 1625 | 12V 5W WEDGE BASE BULB BLUE | 10 |
| 3801 1607 | 12V 16W WEDGE BAS.BU.W2.1X9.5D | 10 |
| 3801 1631 | 12V 21W WEDGE BASE BULB W3X16D | 10 |
| 3801 1632 | 12V 21/5W WEDGE BASE BU.W3X16Q | 10 |
| 3801 1633 | 12V 21W WEDGE B.B.ORANG.W3X16D | 10 |
| 3802 1602 | 24V 1,2W WEDGE BASE BU.W2X4.6D | 10 |
| 3802 1606 | 24V 2W WEDGE BASE BULB W2X4.6D | 10 |
| 3802 27243 | 24V 2W WEDGE BASE BU.W2.1X9.5D | 10 |
| 3802 1612 | 24V 3W WEDGE BASE BU.W2.1X9.5D | 10 |
| 3802 1622 | 24V 5W WEDGE BASE BU.W2.1X9.5D | 10 |



Wedge Base Bulbs ECO

| Article No. | Article Description | QTY |
|-------------|--------------------------------|-----|
| 3801N 1601 | 12V1.2W WED.BAS.BU.W2X4.6D ECO | 10 |
| 3801N 1611 | 12V3W WED.BAS.BU.W2.1X9.5D ECO | 10 |
| 3801N 1621 | 12V5W WED.BAS.BU.W2.1X9.5D ECO | 10 |
| 3802N 1602 | 24V 1.2W W.BAS.BU.W2X4.6D ECO | 10 |
| 3802N 1612 | 24V 3W WE.BAS.BU.W2.1X9.5D ECO | 10 |
| 3802N 1622 | 24V 5W WE.BAS.BU.W2.1X9.5D ECO | 10 |

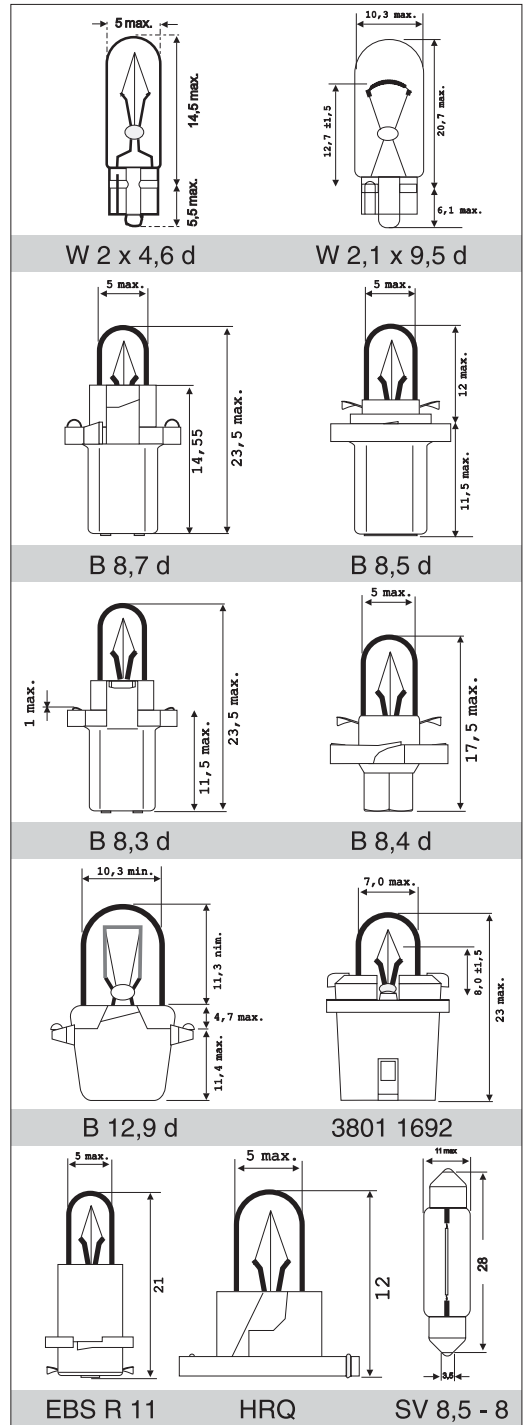
Special Automotive Bulbs



Technical Data

| Art. No. | Base | Application |
|-----------|---------------------------|--------------------------------------------|
| 3801 1603 | W 2 x 4,6 d glas matt | Mercedes |
| 3801 1608 | W 2 x 4,6 d chest. white | Mercedes |
| 3801 1609 | W 2 x 4,6 d chest. grey | Mercedes, Opel |
| 3801 1624 | W 2.1 x 9,5 d glas orange | Mercedes, Opel-side view flashing light |
| 3801 1651 | B 8.7 d grey | Ford |
| 3801 1655 | B 8.5 d green | Various |
| 3801 1661 | B 8.5 d black | BMW, Ford, Mercedes, Porsche Seat |
| 3801 1665 | B 8.3 d white | Audi, Renault |
| 3801 1671 | B 8.3 d black | VW/Audi |
| 3801 1641 | B 8.4 d black | VDO, Moto Meter |
| 3801 1645 | B 8.4 d white green | VDO, Moto Meter |
| 3801 1692 | white | Ford, Probe + Sierra |
| 3801 1696 | EBS R 11 turquoise | Volvo |
| 3801 1695 | HRQ black | Fiat, Alfa, Saab |
| 3801 1735 | SV 8.5 - 8 tubular | Japaneese vehicles |
| 3802 1662 | B 8.5 d grey | Commercial vehicles |
| 3802 1682 | B 8.3 d grey | Commercial vehicles |
| 3802 1693 | EBS R 11 white green | Volvo, interior lighting |
| 3802 1694 | EBS R 101 white green | Volvo |

| Article No. | Article Description | QTY |
|-------------|--------------------------------|-----|
| 3801 1603 | 12V 1.2W BULB GLAS MATT | 10 |
| 3801 1608 | 12V 1.2W BULB GLASS PLST.WHITE | 10 |
| 3801 1609 | 12V LAMP 0,5W | 10 |
| 3801 1624 | 12V 5W WEDGE BASE BULB ORANGE | 10 |
| 3801 1651 | 12V 1.2W BULB PLST.BASE B 8.7D | 10 |
| 3801 1655 | 12V 2W BULB PLASTIC BASE B8.5D | 10 |
| 3801 1661 | 12V 1.2W BULB PLAST.BASE B8.5D | 10 |
| 3801 1665 | 12V 2W BULB PLASTIC BASE B8.3D | 10 |
| 3801 1671 | 12V 1.2W BULB PLAST.BASE B8.3D | 10 |
| 3801 1641 | 12V 1.2W BULB PLAST.BASE B8.4D | 10 |
| 3801 1645 | 12V 2W BULB PLASTIC BASE B8.4D | 10 |
| 3801 1692 | 14V 2W BULB PLASTIC BASE | 10 |
| 3801 1696 | 12V 1.8W BULB PLAS.BASE EBSR11 | 10 |
| 3801 1695 | 14V 1.4W BULB PLASTIC BASE HRQ | 10 |
| 3801 1735 | 12V 10W BULB TUB.28MM SV8.5-8 | 10 |
| 3802 1662 | 24V 1.2W BULB PLAST.BASE.B8.5D | 10 |
| 3802 1682 | 24V 1.2W BULB PLAST.BASE B8.3D | 10 |
| 3802 1693 | 24V 1.4W BULB PLAST.BAS.EBSR11 | 10 |
| 3802 1694 | 24V 2W BULB PLASTIC BASE | 10 |



Special Automotive Bulbs ECO

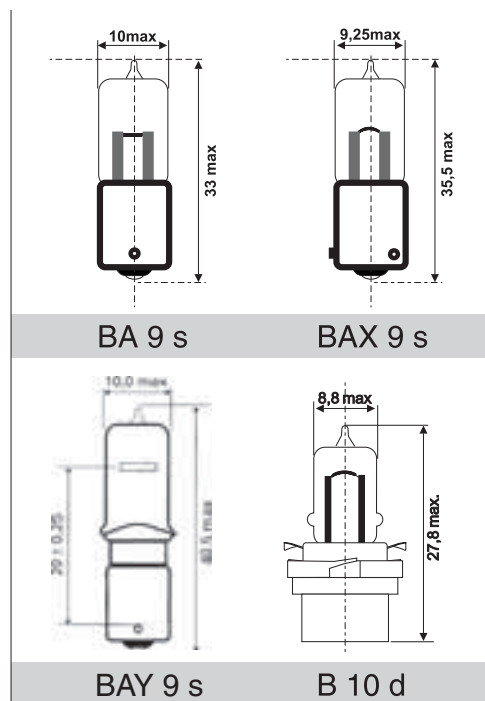
| Article No. | Article Description | QTY |
|-------------|--------------------------------|-----|
| 3801N 1624 | 12V 5W BULB GLASS.ORANGE ECO | 10 |
| 3801N 1735 | 12V10W BUL.TUB.28MM SV8.5-8ECO | 10 |

Miniature Halogen Bulbs

Technical Data

| Art. No. | Base | Application |
|-----------|---------|------------------------------------------|
| 3801 1836 | BA 9 s | Mercedes interior lighting |
| 3801 1837 | BA 9 s | BMW interior lighting |
| 3801 1848 | BA 9 s | Various |
| 3801 1896 | BAX 9 s | Mercedes parking light |
| 3801 1898 | B 10 d | Ford, Opel interior lighting |
| 3801 1899 | B 10 d | Ford, Opel interior lighting |
| 3802 1895 | BAY 9 s | Side turn signals on trucks (e.g. Volvo) |

| Article No. | Article Description | QTY |
|-------------|--------------------------------|-----|
| 3801 1836 | 12V 5W BULB MINI HALOGEN BA9S | 10 |
| 3801 1837 | 12V 10W BULB MINI HALOGEN BA9S | 10 |
| 3801 1848 | 12V 20W BULB MINI HALOGEN BA9S | 10 |
| 3801 1896 | 12V 6W BULB MINI HALOGEN BAX9S | 10 |
| 3801 1898 | 12V 3W BULB MINI HALOGEN B10D | 10 |
| 3801 1899 | 12V 5W BULB MINI HALOGEN B10D | 10 |
| 3802 1895 | 24V 21W BULB MINI HALOG. BAY9S | 10 |



Spare Bulb Boxes

| Article No. | Article Description | QTY |
|-------------|--------------------------------|-----|
| 3804 12 1 | BULB SET IN PLASTIC BOX 12V H1 | 1 |
| 3804 12 4 | BULB SET IN PLASTIC BOX 12V H4 | 1 |
| 3804 12 7 | BULB SET IN PLASTIC BOX 12V H7 | 1 |
| 3804 12 1 7 | BULB SET IN PLAS.BOX 12V H1+H7 | 1 |
| 3804 24 4 | BULB SET IN PLASTIC BOX 24V H4 | 1 |
| 3804 24 1 7 | BULB SET IN PLAS.BOX 24V H1+H7 | 1 |

12 Volt

Contents Part No. 3804 12 1:

- H1-bulb, spherical bulb 21, 21/5, 4 and 5W, tubular bulb 5W, ceramic fuses 8 and 16A, blade fuses 7.5 and 15A

Contents Part No. 3804 12 4:

- H4-bulb, spherical bulb 21, 21/5, 4 and 5W, tubular bulb 5W, ceramic fuses 8 and 16A, blade fuses 7.5 and 15A

Contents Part No. 3804 12 7:

- H7-bulb, spherical bulb 21, 21 yellow, 21/5, 4 and 5W, tubular bulb 5W, wedge base bulb 5W, blade fuses 10, 15 and 20A

Contents Part No. 3804 12 1 7:

- H1 and H7-bulb, spherical bulb 21, 21 yellow, 21/5W, tubular bulb 5W, wedge base bulb 5W, blade fuses 10 and 15A

24 Volt

Contents Part No. 3804 24 4:

- H4-bulb, ball bulb 21, 21/5, 4 and 10W, tubular bulb 5W, ceramic fuses 8 and 16A

Contents Part No. 3804 24 1 7:

- H1 and H7 bulb, spherical bulbs, 2x4W, 2x10W, 6x21W, 2x tubular bulb 10W, blade fuses 2x10A, 2x15A, 2x20A, 2x25A



Bulb Package 12V H 4

| Article No. | Article Description | QTY |
|-------------|-------------------------|-----|
| 3804P 1 | 12V BULB PACKAGE H4 300 | 1 |

Contents:

| Article No. | Article Description | Quantity |
|-------------|---------------------------------------|----------|
| 3801 1101 | Headlight bulb H 4 60/55W | 20 |
| 3801 1321 | Flash and light 21W | 50 |
| 3801 1341 | Brake/rear light bulb 21/5W | 40 |
| 3801 1401 | Rear and license-plate bulb, ball 5W | 30 |
| 3801 1411 | Rear and license-plate bulb, ball 10W | 30 |
| 3801 1501 | Parking light bulb, ball 4W | 40 |
| 3801 1601 | Display bulb, wedge cap 1,2W | 30 |
| 3801 1611 | Display bulb, wedge cap 3W | 20 |
| 3801 1621 | Display bulb, wedge cap 5W | 40 |



Bulb Package 12V H 1

| Article No. | Article Description | QTY |
|-------------|-------------------------|-----|
| 3804P 2 | 12V BULB PACKAGE H1 300 | 1 |

Contents :

| Article No. | Article Description | Quantity |
|-------------|---------------------------------------|----------|
| 3801 1111 | Headlight bulb H 1 55W | 20 |
| 3801 1321 | Flash and brake light bulb 21W | 50 |
| 3801 1341 | Brake/rear light bulb 21/5W | 40 |
| 3801 1401 | Rear and license-plate bulb, ball 5W | 30 |
| 3801 1411 | Rear and license-plate bulb, ball 10W | 30 |
| 3801 1501 | Parking light bulb, ball 4W | 40 |
| 3801 1601 | Display bulb, wedge cap 1,2W | 30 |
| 3801 1611 | Display bulb, wedge cap 3W | 20 |
| 3801 1621 | Display bulb, wedge cap 5W | 40 |



Bulb Package 12V H 4 / H 1

| Article No. | Article Description | QTY |
|-------------|----------------------------|-----|
| 3804P 3 | 12V BULB PACKAGE H4/H1 300 | 1 |

Contents:

| Article No. | Article Description | Quantity |
|-------------|---------------------------------------------|----------|
| 3801 1101 | Headlight bulb H 4 60/55W | 10 |
| 3801 1111 | Headlight bulb H 1 55W | 10 |
| 3801 1321 | Flash and brake light bulb 21W | 50 |
| 3801 1341 | Brake/rear light bulb 21/5W | 40 |
| 3801 1401 | Rear and license-plate light bulb, ball 5W | 30 |
| 3801 1411 | Rear and license-plate light bulb, ball 10W | 30 |
| 3801 1501 | Parking light bulb, ball 4W | 40 |
| 3801 1601 | Display bulb, wedge cap 1,2W | 30 |
| 3801 1611 | Display bulb, wedge cap 3W | 20 |
| 3801 1621 | Display bulb, wedge cap 5W | 40 |



Bulb Package 24V H 4

| Article No. | Article Description | QTY |
|-------------|-------------------------|-----|
| 3804P 4 | 24V BULP PACKAGE H4 200 | 1 |

Contents:

| Article No. | Article Description | Quantity |
|-------------|-------------------------------------------|----------|
| 3802 1102 | Headlight bulb H 4 75/70W | 10 |
| 3802 1322 | Flash and brake light bulb 21W | 30 |
| 3802 1402 | Rear and license-plate bulb, ball 5W | 30 |
| 3802 1422 | Rear and license-plate bulb, ball 10W | 30 |
| 3802 1722 | Rear and license-plate bulb, soffitte 5W | 20 |
| 3802 1732 | Rear and license-plate bulb, soffitte 10W | 20 |
| 3802 1512 | Parking light bulb, ball 2W | 30 |
| 3802 1502 | Parking light bulb, ball 4W | 30 |



Automotive Bulb Cabinet

- Robust metal version, powder-coated with lockable Plexiglas door
- With pre-punched foam plastic inlet for spherical and tubular bulbs as well as for automotive bulb tester
- Dimensions H 5 mm x W 470 mm x D 160 mm

Part No. 3805 12:

- With 300 automotive bulbs, contents same as bulb package Part No. 3804P3

Part No. 3805 24:

- With 300 automotive bulbs, contents same as bulb package Part No. 3804 P4



| Article No. | Article Description | QTY |
|-------------|--------------------------------|-----|
| 3805 1 | BULB CABINET EMPTY INCL.TESTER | 1 |
| 3805 12 | 12V BULB CABINET FILLED | 1 |
| 3805 24 | 24V BULB CABINET FILLED | 1 |

12V Automotive Bulb Assortment

- In practical assortment case
- Required special bulb always at your finger tips
- Eliminates annoying searching
- Immediate repair possible for the customer
- Assembled with low quantities
- Favourable cost/benefit ratio
- Always up to date
- Sorted and labelled according to car models
- Bulb can be found immediately
- Clarity at a glance

Part No. 3801 1696

- Suitable for dashboard illumination on VW T 4



| Article No. | Article Description | QTY |
|-------------|--------------------------------|-----|
| 3804 12 125 | 12V AUTOM.SPEC.BULB ASSORTMENT | 1 |

Contents:

| Article No. | Article Description | Quantity |
|-------------|--------------------------------|----------|
| 3801 1603 | 12V 1.2W BULB GLAS MATT | 10 |
| 3801 1608 | 12V 1.2W BULB GLASS PLST.WHITE | 10 |
| 3801 1609 | 12V LAMP 0,5W | 10 |
| 3801 1624 | 12V 5W BULB GLASS ORANGE | 5 |
| 3801 1641 | 12V 1.2W BULB PLAST.BASE B8.4D | 10 |
| 3801 1645 | 12V 2W BULB PLASTIC BASE B8.4D | 10 |
| 3801 1651 | 12V 1.2W BULB PLST.BASE B 8.7D | 10 |
| 3801 1661 | 12V 1.2W BULB PLAST.BASE B8.5D | 10 |
| 3801 1665 | 12V 2W BULB PLASTIC BASE B8.3D | 10 |
| 3801 1671 | 12V 1.2W BULB PLAST.BASE B8.3D | 10 |
| 3801 1692 | 14V 2W BULB PLASTIC BASE | 2 |
| 3801 1695 | 14V 1.4W BULB PLASTIC BASE HRQ | 5 |
| 3801 1696 | 12V 1.8W BULB PLAS.BASE EBSR11 | 5 |
| 3801 1735 | 12V 10W BULB TUB.28MM SV8.5-8 | 10 |
| 3801 1836 | 12V 5W BULB MINI HALOGEN BA9S | 2 |
| 3801 1837 | 12V 10W BULB MINI HALOGEN BA9S | 2 |
| 3801 1898 | 12V 3W BULB MINI HALOGEN B10D | 2 |
| 3801 1899 | 12V 5W BULB MINI HALOGEN B10D | 2 |

Technical Data

| Art. No. | Base | Application |
|-----------|------------------|------------------------------------|
| 3801 1603 | W 2 x 4.6d | Mercedes |
| 3801 1608 | W 2 x 4.6d white | Mercedes |
| 3801 1609 | W 2 x 4.6d | Opel, Mercedes |
| 3801 1624 | W 2.1 x 9.5d | Side turn signal Mercedes, Opel |
| 3801 1641 | B 8.4 d | VDO, Moto Meter |
| 3801 1645 | B 8.4 d | VDO, Moto Meter |
| 3801 1651 | B 8.7 d | Ford |
| 3801 1661 | B 8.5 d | BMW, Ford, Mercedes, Porsche |
| 3801 1665 | B 8.5 d | Audi, Renault |
| 3801 1671 | B 8.3 d | VW, Audi |
| 3801 1692 | | Ford Probe, Sierra |
| 3801 1695 | HRQ | Fiat, Alfa, Saab |
| 3801 1696 | EBS | Volvo |
| 3801 1735 | Tubular 11 x 30 | Japanese interior |
| 3801 1836 | Halogen Ba 9s | Mercedes interior |
| 3801 1837 | Halogen Ba 9s | BMW interior |
| 3801 1898 | Halogen B 10d | Opel, Ford |
| 3801 1899 | Halogen B 10d | Opel, Ford |

Splash-Proof Cable Connector Boxes

- With replaceable screw terminals



| Article No. | Article Description | QTY |
|-------------|--------------------------------|-----|
| 3835 6 6 | CABLE CNCTR.BOX SC.TERM 6/6 | 1 |
| 3835 8 6 | CABLE CNCTR.BOX SC.TERM 8/6 | 1 |
| 3835 12 6 | CABLE CNCTR.BOX SC.TERM 12/6 | 1 |
| 3835 16 10 | CABLE CNCTR.BOX SC.TERM. 16/10 | 1 |

| Technical Data | | | |
|----------------|-----------------|-----------------------------|---------------|
| Art. No. | Number of poles | Cable width mm ² | L x W x H mm |
| 3835 6 6 | 6-pole | 6.0 | 120 x 69 x 34 |
| 3835 8 6 | 8-pole | 6.0 | 120 x 69 x 34 |
| 3835 12 6 | 12-pole | 6.0 | 120 x 69 x 34 |
| 3835 16 10 | 16-pole | 10.0 | 137 x 90 x 50 |

Water Protected Cable Connector Boxes

- With 6.3 mm spade connectors



| Article No. | Article Description | QTY |
|-------------|--------------------------------|-----|
| 3836 8 | CABLE CNST.BOX SPADE CON.8POLE | 1 |
| 3836 8 1 | CABLE CNCT.BOX SPADE CO.12POLE | 1 |
| 3836 12 | CABLE CNCT.BOX SPADE CO.12POLE | 1 |

| Technical Data | | |
|----------------|--------------------------------------------------------------|----------------|
| Art. No. | Number of poles | L x W x H mm |
| 3836 8 | 8-pole, 8 double spade connectors | 120 x 69 x 34 |
| 3836 8 1 | 8-pole, 8 double spade connectors | 137 x 90 x 50 |
| 3836 12 | 16-pole, 8 double spade connectors 4 triple-in connectors | 127 x 100 x 42 |

Plugs and Sockets 12V, 7-Pole

- 7-Pin with screw connection
- Socket supplied without protective cap (Part No. 3830 12 9)



| Article No. | Article Description | QTY |
|-------------|-----------------------------|-----|
| 3830 12 1 | PLUG ALUMINIUM 7-POLE 12V | 1 |
| 3830 12 2 | PLUG PLASTIC 7-POLE 12V | 1 |
| 3830 12 3 | SOCKET ALUMINIUM 7-POLE 12V | 1 |
| 3830 12 4 | SOCKET PLASTIC 7-POLE 12V | 1 |

Socket with Switch-Off Contact 12V

- With switch-off contact for rear fog light
- 7-pin with screw connection
- Socket supplied without protective cap (Part No. 3830 12 9)



| Article No. | Article Description | QTY |
|-------------|--------------------------------|-----|
| 3830 12 5 | SOCK.ALU 7-POLE 12V SWITCH OFF | 1 |
| 3830 12 6 | SOCK.PL.7-POLE 12V SWITCH OFF | 1 |

Protection Cap for 12V Socket

| Article No. | Article Description | QTY |
|-------------|-------------------------------|-----|
| 3830 12 9 | PREDECTIVE CAP FOR 12V SOCKET | 1 |



Plugs and Sockets 12V

- 13-pin, with screw connection
- Sockets delivered with protective cap (3830 12 9)

Part No. 3831 12 3:

- With switch-off contact for rear fog bulb



| Article No. | Article Description | QTY |
|-------------|--------------------------------|-----|
| 3831 12 1 | PLUG PLASTIC 13-POLE 12V | 1 |
| 3831 12 2 | SOCKET PLASTIC 13-POLE 12V | 1 |
| 3831 12 3 | SOCK.PLA.13-POLE12V SWITCH OFF | 1 |

Short Adapters

| Technical Data | | | |
|----------------|---------|---------|-----------------------------------------|
| Art. No. | Plug | Socket | For connecting |
| 3832 12 3 | 13-pole | 7-pole | 13-pole towing veh. with 7-pin trailer |
| 3832 12 4 | 7-pole | 13-pole | 7-pole towing veh. with 13-pole trailer |
| 3832 12 5 | 13-pole | 7-pole | 13-pole towing veh. with 7-pole trailer |
| 3832 12 6 | 13-pole | 7-pole | 13-pole towing veh. with 7-pole trailer |
| 3832 12 7 | 7-pole | 13-pole | 7-pole towing veh. with 13-pole trailer |



| Article No. | Article Description | QTY |
|-------------|--------------------------------|-----|
| 3832 12 3 | ADAPTER 12V 13/7-POLE | 1 |
| 3832 12 4 | ADAPTOR 12V 7/13-POLE | 1 |
| 3832 12 5 | MINI SHORT ADAPT.12V 13/7-POLE | 1 |
| 3832 12 6 | SHORT ADAPTOR 12V 13/7-POLE | 1 |
| 3832 12 7 | MINI SHORT ADAPT.12V 7/13-POLE | 1 |

Socket Tester 12V

- 13-pin, 7-pin sockets can also be tests with short adapter
- One-man operation; 4.5 metre cable
- Required for safety inspections
- Rear fog light switch-off test
- Turn signal load test for indicator light in vehicle



| Article No. | Article Description | QTY |
|-------------|---------------------|-----|
| 5439 12 1 | SOCKET TESTER 12V | 1 |