

Vehicle Products



Numberplate Holder, Fixing Parts

Page 12/100



Brake Lines and Accessories

Page 12/266



Workshop Organisation

Page 12/160



Warning Contacts for Brake Pads

Page 12/285



Rubber Boots

Page 12/200



Balance Weights

Page 12/300



Exhaust Clamps

Page 12/230



Tyre and Wheel Assembly

Page 12/325



Oil Change Valve Screws

Page 12/236



Tyre Repair Kit

Page 12/345



Wiper Blades

Page 12/237



Alloy Rim Repair Kit

Page 12/349



Repair Kit for Window Lifter

Page 12/245



Mounting Parts

Page 12/400



Fuel Line Repair Kit, Hose Connections

Page 12/248

Numberplate Holder Evolution w. Advert. Overprint



- Foldable holder with single and multi-coloured advertising overprint
- Complies with EU Directive (EEC 74/483) (Law on external projections of motor vehicles)
- Material: polypropylene – flexible, impact-resistant, car wash resistant
- Fixing of numberplates without pre-drilling

Article No.	Article Description	QTY
3095 70 520	NPH.EVOL.BLACK520MM W.OVERPR.	100
3095 70 460	NPH.EVOL.BLACK460MM W.OVERPR.	100
3095 71 520	NPH EVOL.SILV. 520MM W.OVERPR.	100
3095 4	PRINT WHITE EDGE	1
3095 7	SILKSCREEN DEVICE EXPENSES	1
3095 8	FILM CREATION EXPENSES	1
3095 9	PRINT EXTRA COLOUR F. NPH	1

Numberplate Holder Dynamic w. Advert. Overprint



- Numberplate holder (base sheet and strip)
- Complies with EU Directive (EEC 74/483) (Law on external projections of motor vehicles)
- Material: polypropylene - flexible, impact and car wash resistant
- Fixing of numberplates without pre-drilling
- Base plates and strips can be ordered separately

Article No.	Article Description	QTY
3095 80 520	NPH DYNAMIC BLACK520MM W.ADVER	100
3095 80 520 1	NPH DYNAMIC STRIP W.ADVERTIS.	100
3095 80 520 2	NPH DYNAMIC BASE PLATE 520MM	100
3095 7	SILKSCREEN DEVICE EXPENSES	1
3095 8	FILM CREATION EXPENSES	1

Numberplate Holder Perfekt 2 with Advert. Printing



- Fast and easy
- Insert strip, press on and lock
- Numberplate holder with single/multi-coloured advertising printing
- Complies with the EU Directive (EEC 74/483) (law on external projections at motor vehicles)
- Material: polypropylene - flexible, impact-resistant, car wash resistant
- Fixing of number plates without pre-drilling



Raised strip

Article No.	Article Description	QTY
3095 90 520	NPH PERF.2BLACK 520MM W.PRINT.	100
3095 90 520 1	NPH PERF.2 STRIP W.ADVERT.	100
3095 90 520 2	NPH PERF.2 BASE PLATE 520MM	100
3095 90 520 3	NPH PERF.2 STRIP RAISED CHROME	100
3095 90 520 4	NPH PER.2 STRIP RAISED SILVER	100
3095 5	TOOL EXPENSES NPH RAISED	1
3095 6	PRE-PRODUCT.COSTS NPH RAISED	1
3095 7	SILKSCREEN DEVICE EXPENSES	1
3095 8	FILM CREATION EXPENSES	1
3095 9	PRINT EXTRA COLOUR F. NPH	1

Numberplate Holder Premium w. Advert. Overprint



- Numberplate holder with single and multi-coloured advertising
- Complies with EU directive (EEC 74/483) (Law on external projections on motor vehicles)
- Material: polypropylene - flexible, impact and car wash resistance
- Fixing of numberplate without pre-drilling

Article No.	Article Description	QTY
3095 20 520	NPH PREM.BLACK520MM W.OVERPRI.	100
3095 7	SILKSCREEN DEVICE EXPENSES	1
3095 8	FILM CREATION EXPENSES	1
3095 9	PRINT EXTRA COLOUR F. NPH	1

Numberplate Mounting Set - Simple-Fix



- 2 adhesive strips for numberplate fixing

Article No.	Article Description	QTY
3095 800	NUMBERPL.MOUNT.SET SIMPLE-FIX	1

Set includes:

- 4x holders for 2 numberplates
- 4x self-tapping screws with round pan head galvanized 4.8 x 19 PH2
- Assembly instructions

Numberplate Mounting Set Quick Fix



Application:

- Test drive numberplates (red plates)

Article No.	Article Description	QTY
3095 900	NUMBERPL.MOUNT.SET QUICK-FIX	1

Contents:

- 4x holders for 2 numberplates
- 4x screws M5 with nuts
- Assembly instruction

Power-Painter

- For the water-resistant marking
- Abrasion and light-resistant and strong adhering colour paste
- **Application fields:** For automobile numberplates, industry road signs, machines etc.



Article No.	Article Description	QTY
3595 38	POWER-PAINTER	1

Vibro-Stripe

- Sound-deadening pad for all numberplates
- One-side self-adhesive
- Temperature resistant from -30° C to +80° C
- Width: 70 mm



Article No.	Article Description	QTY
3095 1	RO(30M)VIBRO-STRIPE 70MM	1

Samples for numberplate holders

Helvetica normal

1 Autohaus Maier Freudenstadt 0763/86932

Helvetica semi-bold

2 Autohaus Maier Freudenstadt 0763/86932

Helvetica bold

3 Autohaus Maier Freudenstadt 0763/86932

Helvetica bold condensed

4 Autohaus Maier Freudenstadt 0763/86932

Helvetica italic

5 Autohaus Maier Freudenstadt 0763/86932

Futura shaded

6 Autohaus Maier Freudenstadt 0763/86932

VAG round hand

7 Autohaus Maier Freudenstadt 0763/86932

Avant Garde Demi

8 Autohaus Maier Freudenstadt 0763/86932

Freestyle Script

9 Autohaus Maier Freudenstadt 0763/86932

Times bold

10 Autohaus Maier Freudenstadt 0763/86932

Revue

11 Autohaus Maier Freudenstadt 0763/86932

Rockwell Bold

12 Autohaus Maier Freudenstadt 0763/86932

Zapf Chancery

13 Autohaus Maier Freudenstadt 0763/86932

Samples for numberplate holders



Numberplate Screws Plastic

- Similar to DIN 85 completely mounted

Article No.	Article Description	QTY
1885 5 20	NPS PLASTIC WHITE 5X20 KPL	H 300
1885 6 20	NPS PLASTIC WHITE 6X20 KPL	H 300
1886 5 20	NPS PLASTIC BLACK 5X20 KPL	H 300
1886 6 20	NPS PLASTIC BLACK 5X20KPL	H 300

(Colour / Ø x length in mm / KPL = completely mounted)



Numberplate Screws V-Form with Cap Head

- Galvanized, fully assembled with a cap

Article No.	Article Description	QTY
1887 5 20	NPS SCREW GA KPL 5X20 WK	H 300
1887 6 20	NPS SCREW GA KPL 6X20 WK	HR 500
1888 5 20	NPS KPL. GA 5X20 SK	H 300
1888 6 20	NPS KPL. GA 6X20 SK	HR 500

(Ø x length in mm / WK = white caps, SK = black caps)



Numberplate Screws similar to DIN 7981

- Galvanized

Article No.	Article Description	QTY
1899 48 13	NSS SIM.TO 7981 GA 4.8X13	100
1899 48 16	NPS SIM.TO 7981 GA 4.8X16	100
1899 48 19	NPS SIM.TO 7981 GA 4.8X19	100
1899 48 22	NPS SIM.TO 7981 GA 4.8X22	100
1899 48 25	NSS SIM.TO 7981 GA 4.8X25	100
1899 48 32	NPS SIM.TO 7981 GA 4.8X32	100
1899 56 16	NSS SIM.TO 7981 GA 5.6X16	100
1899 56 19	NSS SIM.TO 7981 GA 5.6X19	100



Numberplate Screws similar to DIN 7981 with Caps

- Galvanized

Article No.	Article Description	QTY
1889 48 13	NPS 4.8X13 WK	HR 500
1889 48 16	NPS 4.8X16 WK	HR 500
1889 48 19	EURO N.P. SELF TAP.SCREW & CAP	HR 500
1889 48 22	NPS 4.8X22 WK	HR 500
1889 48 25	NPS 4.8X25 WK	HR 500
1889 48 32	NPS 4.8X32 WK	HR 500
1889 56 16	NPS 5.6X16 WK	HR 500
1889 56 19	NPS 5.6X19 WK	HR 500
1889 56 22	NPS 5.6X22 WK	HR 500
1890 48 13	NPS 4.8X13 SK	HR 500
1890 48 16	NPS 4.8X16 SK	HR 500
1890 48 19	EURO N.P.SELF TAP.SCREW & CAP	HR 500
1890 48 25	NPS 4.8X25 SK	HR 500
1890 48 32	NPS 4.8X32 SK	HR 500
1890 56 16	NPS 5.6X16 SK	HR 500
1890 56 19	NPS 5.6X19 SK	HR 500

(Ø x length in mm / WK = white caps, SK = black caps)



Numberplate Screws with Drill Bits

- Similar to DIN 7981
- Coating: dacromet
- Drive: PZ 2
- Delivery without caps
- Suitable caps

White: Art. No. 1893 5

Black: Art. No. 1894 5

Blue: Art. No. 1896 5

Article No.	Article Description	QTY
1898 5 16	NSS WITH DRILL BITS 5X16	H 300
1898 5 19	NSS WITH DRILL BITS 5X19	H 300
1898 5 25	NSS WITH DRILL BITS 5X25	H 300



Number Plate Screws

- Galvanized
- Suitable caps: Art. No. 1893 6, 1894 6, 1896 6



Article No.	Article Description	QTY
1887 5 15 1	NPS CAP HEAD GA M 5X15	100
1887 5 20 1	NPS CAP HEAD GA M 5X20	100
1887 6 15 1	NPS CAP HEAD GA M 6X15 PH2	100
1887 6 20 1	NPS CAP HEAD GA M 6X20 PH2	100
1887 6 25 1	NPS CAP HEAD GA M 6X25	100

(Ø x length in mm)

Caps for Number Plate Screws

- Plastic caps: white, black, blue
- Sizes: 5, 6

Article No.	Article Description	QTY
1893 5	NPS CAPS WHITE 5	H 300
1893 6	NPS CAPS WHITE 6	H 300
1894 5	NPS CAPS BLACK 5	H 300
1894 6	NPS CAPS BLACK 6	H 300
1896 5	NPS CAPS BLUE 5	300
1896 6	NPS CAPS BLUE 6	300

(Colour/ for screws-Ø M)



Distance Washer

- For screws-Ø M5 / M6
- Art. No. 1895 1:**
- Plastic white, dimension: 6.4 x 18.0 x 6.0 mm
- Art. No.1895 6 20 3:**
- Rubber black, dimension: 6.5 x 20.0 x 3.0 mm

Article No.	Article Description	QTY
1895 1	DISTANCE WASHER WHITE M5/M6	100
1895 6 20 3	RUBBER WASHER BLACK 6.5X20X3MM	100



Numberplate Screws similar to DIN 7981 with Washer

- Galvanized
- Application without caps

Article No.	Article Description	QTY
1891 55 19	NPS 7981 GA 5.5X19 WITH WASHER	H 300
1891 55 25	NPS 7981 GA 5.5X25 WITH WASHER	H 300

(Ø x length in mm)



Numberplate Screw similar to DIN 7981, A2

- Stainless steel A2
- Application without caps

Article No.	Article Description	QTY
1892 48 16	NPS DIN 7981 A2 4.8X16	300
1892 48 19	NPS DIN 7981 A2 4.8X19	300
1892 55 16	NPS DIN 7981 A2 5.5X16	H 300
1892 55 19	NPS DIN 7981 A2 5.5X19	H 300



Numberplate Screws and Caps in Assortment

- 4.8 x 16 - 5.5 x 38 = 805 pieces

Article No.	Article Description	QTY
9000 18	ASSORTMENT NUMBERPLATE SCREWS	1
9000R 18	NUMBERPLATE SCREWS IN TRAY	1



Key Management System

- For quick locating of keys
- Affords an easy classification of the vehicle
- Model 1 and 2 were designed for new and used cars
- Model 3 and 4 are for vehicles which pass through the workshop
- All key fobs are made of recyclable plastic

Key Tag Model 1

- Key can be clamped quickly onto the key tag due to the lug
- Collateral security due to two indentations in the lug
- If an eyelet is smaller than Ø 6 mm, use model 2

Article No.	Article Description	QTY
3097 11	KT(250)KEY TAG MODEL 1 YELLOW	1
3097 12	KT(250)KEY TAG MODEL 1 BLUE	1
3097 13	KT(250)KEY TAG MODEL 1 RED	1

Included in delivery:

- 1 QTY (carton) contains x250 key tags of the same colour
- 250x steel rings
- 2x Art. No. 3097 10 special pins



Key Ring Model 2

- Also suitable for key types with a small eyelet
- The flexible steel ring can easily be clamped onto the key ring and the car key

Article No.	Article Description	QTY
3097 21	KT(250)KEY RING MODEL 2 YELLOW	1
3097 22	KT(250)KEY RING MODEL 2 BLUE	1
3097 23	KT(250)KEY RING MODEL 2 RED	1

Scope of delivery:

- 1 QTY (carton) contains 250 key rings of the same colour
- 250 steel rings
- 2x Art. No. 3097 10 special pins



Key Tag Model 3

- For vehicles which pass through the workshop
- Due to the integrated lug the keys can be clamped easily and quickly

Article No.	Article Description	QTY
3097 34	KT(500)KEY FOBS MODEL 3 GREEN	1
3097 37	37 KT(500)KEY FOBS MODEL 3 ORA	1

Scope of delivery:

- 1 QTY (Karton) contains 500 key tags of the same colour
- 2x Art. No. 3097 10 special pins



Key Tag Model 5

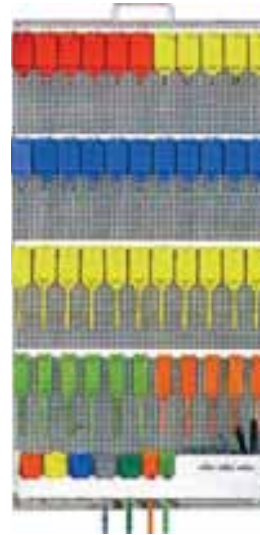
- Good value loop label - very ease to use
- Can be marked with pen or felt tip pen
- Size: 160 mm x 12.7 mm



Article No.	Article Description	QTY
3097 51	RO(1000)KEY TAG MOD.5 YELLOW	1
3097 52	RO(1000)KEY TAG MOD.5 BLUE	1
3097 53	RO(1000)KEY TAG MOD.5 RED	1
3097 54	RO(1000)KEY TAG MOD.5 GREEN	1
3097 55	RO(1000)KEY TAG MOD.5 WHITE	1
3097 57	RO(1000)KEY TAG MOD.5 ORANGE	1

Keyboard

- Modern design which is suitable not only for offices but also for showrooms
- Affords space for 44 keys and has also panels for key tags, pins and key rings
- Made of steel, coated with white plastic
- Dimension HxWxD: 850 x 450 x 70mm



Article No.	Article Description	QTY
3097 144	KEYBOARD 1/44	1

Key-Cabinet

- Security cabinet made of robust sheet steel (1.5 mm) with extremely break-proof radial piston lock - incl. 3 security round keys
- Colour: black
- Article No. 3097 155:**
 - For 55 keys
 - Dimension H x W x D: 660 x 490 x 140 mm
- Article No. 3097 199:**
 - For 99 keys
 - Dimension H x W x D: 850 x 490 x 140 mm
- Article No. 3097 199 1:**
 - Partition wall for key cabinet 3097 199
 - This provides the required space for 209 keys



Article No.	Article Description	QTY
3097 155	CABINET 1/55	1
3097 199	CABINET 1/99	1
3097 199 1	KEY TABLE TYPE 110	1

Identity Card Model 4

- Simplest identification of keys and vehicles - without handwritten notice
- The identification consists of 3 parts with the same number: key tag, rear-view mirror card and customer stub
- The customer chapter which is handed over to the car owner makes it easier for him to pick up his car and prevents unauthorized pickup

Article No.	Article Description	QTY
3097 41	KT(300) IDEN.CARD MOD.4 YELLOW	1
3097 42	KT(300) IDEN.CARD MOD.4 BLUE	1
3097 43	KT(300) IDEN.CARD MOD.4 RED	1
3097 44	KT(300)IDEN.CARD MOD.4 GREEN	1

Included in delivery:

- 1 Packaging unit (carton) contains 300 identity cards of the same colour, numbered from 1 to 300
- 1x Art. No. 3097 10 special pin



Order Protectors

- Order protector for clean and closed keeping of DIN A4 documents
- Tear guard and clear plastic film
- Solid design with key pocket at the back
- With perforations for hanging
- Order protector size LxW: 330 x 235 mm
Key pocket size: LxW: 135 x 135 mm

Article No.	Article Description	QTY
3097 1	ORDER PROTECTOR DIN A4 BLUE	e 10
3097 2	ORDER PROTECTOR DIN A4 RED	e 10
3097 3	ORDER PROTECTOR DIN A4 GREEN	e 10



Order Protectors ECO

- Order protector for clean and closed keeping of DIN A4 documents
- Tear guard and clear plastic film
- Solid design with key pocket at the back
- With perforations for hanging
- Order protector size LxW: 330 x 235 mm
Key pocket size: LxW: 135 x 135 mm

Article No.	Article Description	QTY
3097N 1	ORDER PROTECTOR DINA4 BLUE ECO	e 10
3097N 2	ORDER PROTECTOR DINA4 RED ECO	e 10



Axle Boot Expanding Device - Bootgun

- Clean and quick operation with compressed-air
- Easy expanding without using tools
- For all universal axle boots with up to Ø 115 mm and suitable for all joints with a maximum Ø 110 mm
- Maintenance-free
- Working pressure: 8 bar
- Weight: 2.3 kg

Article No.	Article Description	QTY
3100 19	AXLE BOOT EXPAN.DEVICE BOOTGUN	1



Mounting Cone

- For stretching and wrapping of universal axle boots
- Art. No. 3100 5 (black): inside-Ø 97 mm
- Art. No. 3101 5 (grey): inside-Ø 108 mm

Article No.	Article Description	QTY
3100 5	MOUNTING CONE UNIFIT 97MM	1
3101 5	MOUNTING CONE BIG UNIFIT 108MM	1



Mounting Support

- For easy pushing of axle boots

Article No.	Article Description	QTY
3100 11	MOUNT.SUPPORT F.UNI-AXLE BOOTS	1



Tensioning Ratchet

- For tensioning, securing and trimming of stainless steel tightening straps

Article No.	Article Description	QTY
3100 10	TIGHTENING RATCH.DE LUXE 2080	1



Universal Steering Boots

- For rack and steering gear
- Assembly without dismantling of steering tie rod - swivel head

Article No.	Article Description	QTY
3110 1	UNI-STEERING BOOTS SET	1
3110 6	PK(6) UNI-STEERING BOOTS	1
3110 12	PK(12) UNI-STEERING BOOTS	1

Art. No. 3110 1:

- 2x universal steering boots
- 4x strap retainers
- 1x mounting cone piccolo

Art. No. 3110 6:

- 3x Art. No. 3110 1 Uni-steering boots set
- 1x Art. No. 6530 1500 Silicone spray S420

Art. No. 3110 12:

- 6x Art. No. 3110 1 Uni-steering boots set



Opel Pot Holder

- For Kadett D 1.6 S/Diesel, Kadett E all types
- Opel No. 856 293



Article No.	Article Description	QTY
3010 22	OPEL POT HOLDER 1645	10

Opel Exhaust-Loop

- For Kadett C 1.6 S/1.9/2.0 E, Ascona B, Manta B, Corsa
- Opel No. 856 519



Article No.	Article Description	QTY
3010 16	OPEL EXHAUST-LOOP 0106	z 25

Opel Exhaust Suspension

- For Rekord E, Commodore C, Senator, Monza, Omega
- Opel No. 852 716 / 852 715



Article No.	Article Description	QTY
3010 14	OPEL RUBBER BUFFER 0111	z 25

Opel Exhaust Rubber Ring

- For Kadett C/E, Ascona B/C, Manta B, Rekord D, Commodore B
- Opel No. 852 713



Article No.	Article Description	QTY
3010 32	OPEL EXHAUST RUBBER RING	z 25

Slotted Nuts DIN 14441

- Reduced wrench size
- Steel, copper-plated

Article No.	Article Description	QTY
2140 6	SLOTTED NUT 14440 M6 SW 10	100
2140 8	SLOTTED NUT 14440 M8 SW 13	HR 500
2140 10	SLOTTED NUT 14440 M10 SW 17	H 300



Slotted Nuts DIN 14441

- Reduced wrench size
- Steel, copper-plated

Article No.	Article Description	QTY
2141 6	SLOTTED NUT 14441 M6 SW 9	100
2141 8	SLOTTED NUT 14441 M8 SW12	HR 500
2141 8 1	SLOTTED NUT 14441 M8X1 SW12	100
2141 10	SLOTTED NUT 14441 M10 SW14	HR 500
2141 10 125	SLOTTED NUT14441 M10X1.25 SW14	100
2141 12	SLOTTED NUT 14441 M12 SW17	100



Exhaust Nut with Flange

Article No.	Article Description	QTY
2142 1 7	FLANGE NUT SELF-LOCK.M7 SW11	100
2142 1 8	FLANGE NUT SELF-LOCK. M8 SW12	100
2142 1 10	FLANGE NUT SELF-LOCK. M10 SW15	100
2142 3 8	FLANGE NUT SELF-LOCK. M8 SW13	100



Glimmer Fabric Exhaust Sealing Washer

- Temperature resistance up to + 900° C
- Dimensions: I Ø - 45 mm A Ø - 60 mm H -13 mm

Article No.	Article Description	QTY
3010 31	OPEL-EXH.SEAL.WASH.GLIMM.FABR.	z 25



Exhaust Suspension Rubber Rings

Dimensions: I Ø - 30 mm A Ø - 58 mm

Article No.	Article Description	QTY
3014 2	DB EXHAUST SUSPENS.RUBBER RING	10



Exhaust Pipe Clamp Universal M8

- Reinforced sheet component with clamp and nut DIN 934
- Galvanized, completely mounted

Article No.	Article Description	QTY
3300 28	EXHAUST CLAMP M8 28MM	10
3300 32	EXHAUST CLAMP M8 32MM	10
3300 36	EXHAUST CLAMP M8 36MM	10
3300 38	EXHAUST CLAMP M8 38MM	10
3300 40	EXHAUST CLAMP M8 40MM	10
3300 42	EXHAUST CLAMP M8 42MM	10
3300 45	EXHAUST CLAMP M8 45MM	10
3300 48	EXHAUST CLAMP M8 48MM	10
3300 50	EXHAUST CLAMP M8 50MM	10
3300 52	EXHAUST CLAMP M8 52MM	10
3300 54	EXHAUST CLAMP M8 54MM	10
3300 58	EXHAUST CLAMP M8 58MM	10
3300 60	EXHAUST CLAMP M8 60MM	10
3300 65	EXHAUST CLAMP M8 65MM	10
3300 70	EXHAUST CLAMP M8 70MM	10
3300 75	EXHAUST CLAMP M8 75MM	10
3300 83	EXHAUST CLAMP M8 83MM	10



Exhaust Clamp Set

- The exhaust clamp set for wall mounting enables the optimum overview of current stocks
- The exhaust clamps are neatly arranged on a space-saving board and enable optimum access to the clamps
- Assembled with universal exhaust clamps for the mounting of sound damping attachments with plug and socket connection in the automotive sector
- The clamps are fully mounted and consist of loop, land and hexagon nut, zinc-plated

Article No.	Article Description	QTY
3300 10	EXHAUST CLAMP WALL SET	1

Contents:

Article No.	Article Description	Quantity
3300 38	EXHAUST CLAMP M8 38MM	5
3300 42	EXHAUST CLAMP M8 42MM	5
3300 45	EXHAUST CLAMP M8 45MM	5
3300 48	EXHAUST CLAMP M8 48MM	5
3300 50	EXHAUST CLAMP M8 50MM	5
3300 52	EXHAUST CLAMP M8 52MM	5
3300 54	EXHAUST CLAMP M8 54MM	5
3300 100	RUB. BOOTS CL. HOLD. W. HOOK EMPTY	1



Ford Pipe Clamp M10

- Reinforced sheet component with clamp and nut DIN 980
- Copper-plated, completely mounted

Article No.	Article Description	QTY
3303 41	EXHAUST CLAMP(FORD TYPE)41MM	10
3303 43	EXHAUST CLAMP(FORD TYPE)43MM	10
3303 445	EXHAUST CLAMP(FORD TYPE)45MM	10
3303 475	EXHAUST CLAMP(FORD TYPE)47MM	10
3303 505	EXHAUST CLAMP(FORD TYPE)50MM	10
3303 535	EXHAUST CLAMP(FORD TYPE)54MM	10
3303 57	EXHAUST CLAMP(FORD TYPE)57MM	10
3303 58	EXHAUST CLAMP(FORD TYPE)58MM	10
3303 60	EXHAUST CLAMP(FORD TYPE)60MM	10



VW-Audi-Clamps

- Completely screwed with screw, nut and spring ring

Article No.	Article Description	QTY
3309 385	VW/AUDI CLAMP 38.5MM M8	10
3309 415	VW/AUDI CLAMP 41.5MM M8	10
3309 425	VW/AUDI CLAMP 42.5MM M8	10
3309 455	VW/AUDI CLAMP 45.5MM M8	10
3309 467	VW/AUDI CLAMP 46.7MM M8	10
3309 485	VW/AUDI CLAMP 48.5MM M8	10
3309 495	VW/AUDI CLAMP 49.5MM M8	10
3309 505	VW/AUDI CLAMP 50.5MM M8	10
3309 515	VW/AUDI CLAMP 51.5MM M10	10
3309 523	VW/AUDI CLAMP 52.3MM M10	10
3309 535	VW/AUDI CLAMP 53.5MM M10	10
3309 545	VW/AUDI CLAMP 54.5MM M10	10
3309 555	VW/AUDI CLAMP 55.5MM M10	10
3309 585	VW/AUDI CLAMP 58.5MM M10	10
3309 595	VW/AUDI CLAMP 59.5MM M10	10
3309 605	VW/AUDI CLAMP 60.5MM M10	10
3309 625	VW/AUDI CLAMP 62.5MM M10	10



Exhaust Clamps PRC

- Used for French manufacturers e.g. Peugeot, Renault, Citroen etc.
- Completely mounted

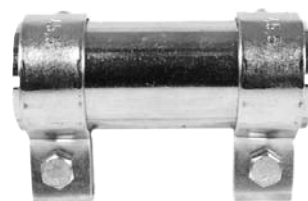
Article No.	Article Description	QTY
3304 59	EXHAUST CLAMP PRC 59MM	10
3304 67	EXHAUST CLAMP PRC 67MM	10
3304 70	EXHAUST CLAMP PRC 70MM	10
3304 797	EXHAUST CLAMP PRC 79.7MM	10



Ford Connecting Tube

- Completely with fastening clips

Article No.	Article Description	QTY
3310 365	CONNECTING TUBE IN36 OU39 90MM	e 10
3310 385	CONNECTING TUBE IN38 OU41 90MM	e 10
3310 425	CONNECTING TUBE IN42 OU49 90MM	e 10
3310 455	CONNECT.TUBE IN45 OU52.5 90MM	e 10

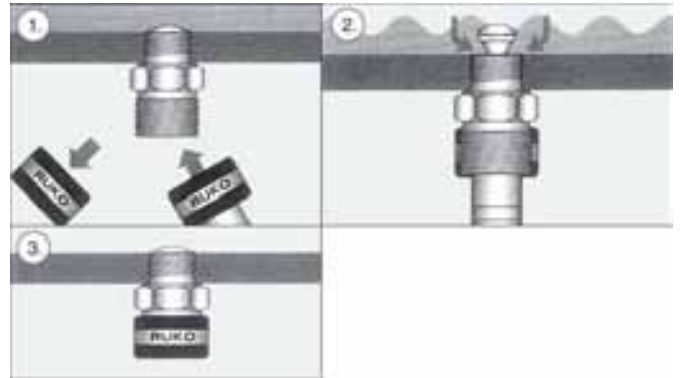


Technical Data

Art. No.	Inside-Ø mm	Outside-Ø mm	Length mm
3310 36 5	36.5	39	100
3310 38 5	38.5	41	100
3310 42 5	42.5	49	90
3310 45 5	45.5	52.5	90

Oil Change Valve Screws System

- Oil change at high oil temperature, thus no soiling residues in the engine
- No dirty hands and ground because the oil flows through the drain tube directly into the used-oil tank
- No thread damage in the oil sump because the valve screw always stays in its position
- Oil seal change no longer necessary



Oil Change Valve Screws System



Article No.	Article Description	QTY
1138 14 15	OIL CHANGE VALVE SCR.M14X1.51	1
1138 16 15	OIL CHANGE VALVE SCR.M16X1.51	1
1138 18 15	OIL CHANGE VALVE SCR.M18X1.51	1
1138 20 15	OIL CHANGE VALVE SCR.M20X1.51	1
1138 22 15	OIL CHANGE VALVE SCR.M22X1.51	1
1138 24 15	OIL CHANGE VALVE SCR.M24X1.51	1
1138 26 15	OIL CHANGE VALVE SCR.M26X1.51	1
1138 30 15	OIL CHANGE VALVE SCR.M30X1.5	1

Technical Data		
Art. No.	Thread	SW
1138 14 15	M 14 x 1.5	22
1138 16 15	M 16 x 1.5	22
1138 18 15	M 18 x 1.5	22
1138 20 15	M 20 x 1.5	27
1138 22 15	M 22 x 1.5	27
1138 24 15	M 24 x 1.5	30
1138 26 15	M 26 x 1.5	32
1138 30 15	M 30 x 1.5	36

Included in delivery:

- With dust protection cap
- Copper sealing

Drain Coupling for Valve Screws

Article No.	Article Description	QTY
1138 1	DRAIN COUPLING M12-M22	1
1138 2	DRAIN COUPLING M24-M32	1
1138 5	DRAIN COUPLING 90°FOR M12-M22	1
1138 6	DRAIN COUPLING 90°FOR M24-M32	1



PVC Drain Tube for Drain Couplings

Article No.	Article Description	QTY
1138 10	DRAIN TUBE 30CM FOR M12-22	1
1138 11	DRAIN TUBE 30CM FOR M24-32	1

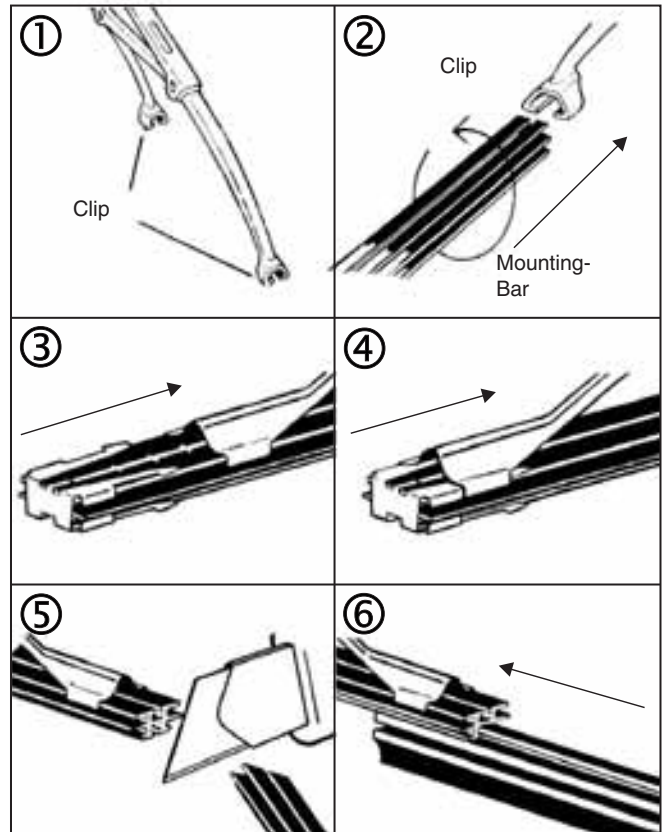
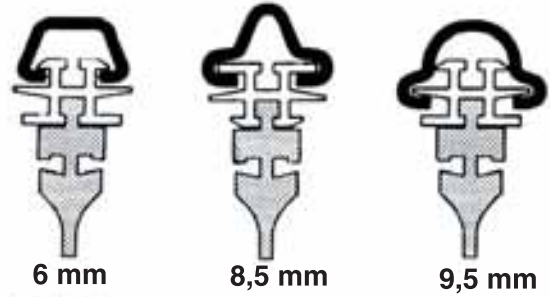


Universal Replacement Wiper Rubber

- 2 measurements compensate almost all cars, station wagons, mini vans, transporters, trucks and buses
- Simplest mounting due to enclosed patented mounting bar
- **6 mm-clip** windscreen wiper made in Europe, Japan, Korea, Malaysia
- **8,5 mm-clip** windscreen wiper made in England, Brazil, USA and Australia
- **9,5 mm-clip** windscreen wiper made in USA, Bosch and SWF. Wiper for buses and commercial vehicles.

Article No.	Article Description	QTY
3054 613	PAIR WIPER RUBBER 613MM	1
3054 613 10	PAIR WIPER RUBBER 613MM	1
3054 1010	PAIR WIPER RUBBER 1010MM	1

1. The old rubber, metal bars etc. are no longer required, only wiper as pictured.
2. Turn the mounting bar so that it fits into the clip.
3. Pull the mounting bar in every clip of the wiper. Rebend the clip first.
4. The retaining clip at the end of the mounting bar has to snap into the first clip.
5. Cut off any excess length. The mounting bar should overlap approx. 12 mm at the free end.
6. Insert the wiper rubber into the mounting bar from the free end. At the other end pull the rubber strongly into the metal retaining clip so that the teeth can fix the rubber. Cut off any excess rubber at the free end so the mounting bar and the rubber are the same length.



Wiper Blades

- SWF original-wiper-blade-programme guarantees for highest quality
- With wear display
- More reliability and security when driving
- Application list as pocket book available under Art. No. 9890 25
- Application list as wall calendar available under Art. No. Art. No. 9890 24



Single Wiper Blades

Article No.	Article Description	QTY
3055 116 104	WIPER BLADE CAR 260MM	1
3055 116 107	WIPER BLADE CAR 425MM	1
3055 116 108	WIPER BLADE CAR 400MM/	1
3055 116 109	WIPER BLADE CAR 450MM/1	1
3055 116 111	WIPER BLADE CAR 475MM/1	1
3055 116 112	WIPER BLADE CAR 500MM/1	1
3055 116 114	WIPER BLADE CAR 530MM/1	1
3055 116 115	WIPER BLADE CAR 340MM	1
3055 116 116	WIPER BLADE CAR 280MM	1
3055 116 123	WIPER BLADE CAR 450MM/2	1
3055 116 127	WIPER BLADE CAR 400MM/2	1
3055 116 128	WIPER BLADE CAR 450MM/3	1
3055 116 132	WIPER BLADE CAR 475MM/3	1
3055 116 135	WIPER BLADE CAR 600MM/1	1
3055 116 140	WIPER BLADE CAR 700MM/1	1
3055 116 141	WIPER BLADE CAR 575MM	1
3055 116 146	WIPER BLADE CAR 500MM/3	1
3055 116 148	WIPER BLADE CAR 600MM/3	1
3055 116 153	WIPER BLADE CAR 650MM/1	1
3055 116 154	WIPER BLADE CAR 570MM	1
3055 116 162	WIPER BLADE CAR 450MM/4	1
3055 116 166	WIPER BLADE CAR 550MM/2	1
3055 116 168	WIPER BLADE CAR 640MM	1
3055 116 169	WIPER BLADE CAR 650MM	1
3055 116 181	WIPER BLADE CAR 380MM	1
3055 116 190	WIPER BLADE CAR 530MM/2	1
3055 116 191	WIPER BLADE CAR 530MM/2	1
3055 116 192	WIPER BLADE CAR 530MM/2	1
3055 116 194	WIPER BLADE CAR 530MM/2	1
3055 116 510	WIPER BLADE CAR REAR 300MM	1
3055 116 520	WIPER BLADE CAR REAR 300MM/1	1
3055 116 530	WIPER BLADE CAR REAR 300MM/2	1
3055 116 540	WIPER BLADE CAR REAR 350MM	1
3055 116 550	WIPER BLADE CAR REAR 400MM/1	1
3055 116 560	WIPER BLADE CAR REAR 400MM	1
3055 116 570	WIPER BLADE CAR REAR 500MM	1

Pair Wiper Blades

Article No.	Article Description	QTY
3055 116 203	(PAIR)WIPER BLADECAR 400MM	1
3055 116 220	(PAIR)WIPER BLADECAR 500MM	1
3055 116 221	(PAIR)WIPER BLADECAR 530MM	1
3055 116 226	(PAIR)WIPER BLADECAR 450MM	1
3055 116 231	(PAIR)WIPER BLADECAR 475MM	1

Wiper Blade Packs

- Workshop packs, contents: 20 pieces

Article No.	Article Description	QTY
3055 121 995	PK(20)WIPER BLADE CAR 530MM	1
3055 121 996	PK(20)WIPER BLADE CAR 500MM	1
3055 121 997	PK(20)WIPER BLADE CAR 475MM	1
3055 121 998	PK(20)WIPER BLADE CAR 450MM	1
3055 121 999	PK(20)WIPER BLADE CAR 400MM	1

Wiper Blade Set

Article No.	Article Description	QTY
3055 116 301	(SET)WIPER BLADECAR450SP/450MM	1
3055 116 307	(SET)WIPER BLADECAR 500/450MM	1
3055 116 310	(SET)WIPER BLADECAR 530/475MM	1
3055 116 311	(SET)WIPER BLADECAR 530SP/475M	1
3055 116 313	(SET)WIPER BLADECAR 530SP/500M	1
3055 116 314	(SET)WIPER BLADECAR 530SP/530M	1
3055 116 317	(SET)WIPER BLADECAR 600SP/600M	1
3055 116 320	(SET)WIPER BLADECAR 500SP/500M	1
3055 116 329	(SET)WIPER BLADECAR 380/450MM	1
3055 116 334	(SET)WIPER BLADECAR 650/560MM	1
3055 116 335	(SET)WIPER BLADECAR 500SP/475M	1
3055 116 336	(SET)WIPER BLADECAR 680/650MM	1
3055 116 337	(SET)WIPER BLADECAR 600/600MM	1
3055 116 338	(SET)WIPER BLADECAR 650/525MM	1
3055 116 339	(SET)WIPER BLADECAR 580/500MM	1
3055 116 340	(SET)WIPER BLADECAR 600/525MM	1
3055 116 341	(SET)WIPER BLADECAR600/600MM/1	1
3055 116 342	SET)WIPER BLADECAR 550/550MM	1
3055 116 344	(SET)WIPER BLADECAR 500/475MM	1
3055 116 346	(SET)WIPER BLADECAR 600/450MM	1
3055 116 347	(SET)WIPER BLADECAR 475/475MM	1
3055 116 348	(SET)WIPER BLADECAR550/550MM/1	1
3055 116 349	(SET)WIPER BLADECAR530/530MM/1	1
3055 116 351	(SET)WIPER BLADECAR530/475MM/1	1
3055 116 352	(SET)WIPER BLADECAR 650/650MM	1
3055 116 365	(SET)WIPER BLADECAR 700/650MM	1
3055 116 366	(SET)WIPER BLADECAR 530/530/2	1

Spoiler Wiper Blades

Article No.	Article Description	QTY
3055 116 601	WIPER BLADE CAR SPOILER 400MM	1
3055 116 602	WIPER BLADE CAR SPOILER 450MM	1
3055 116 603	WIPER BLADE CAR SPOILER 475MM	1
3055 116 604	WIPER BLADE CAR SPOILER 500MM	1
3055 116 606	WIPER BLADE CAR SPOILER 550MM	1
3055 116 607	WIPER BLADE CAR SPOILER 530MM	1
3055 116 608	WIPER BLADE CAR SPOILER 475MM	1
3055 116 609	WIPER BLADE CAR SPOILER 500MM	1
3055 116 610	WIPER BLADE CAR SPOILER 550MM	1
3055 116 612	WIPER BLADE CAR SPOILER 600MM	1
3055 116 615	WIPER BLADE CAR SPOILER 600MM	1
3055 116 616	WIPER BLADE CAR SPOILER 600MM	1
3055 116 617	WIPER BLADE CAR SPOILER 530MM	1
3055 116 618	WIPER BLADE CAR SPOILER 650MM	1
3055 116 619	WIPER BLADE CAR SPOILER 600MM	1
3055 116 622	WIPER BLADE CAR SPOILER 700MM	1

Wiper Blades - Visioflex

- Highest washing performance due to at all speeds due to excellent aerodynamics
- Better view due to lower construction height
- 30% less noise due to improved aerodynamics
- Improved winter capability as no freezing of joints



Single Wiper Blades, Visioflex

Article No.	Article Description	QTY
3055 119 502	WIPER BLADE CAR REAR VF 405MM	1
3055 119 503	WIPER BLADE CAR REAR VF 455MM	1
3055 119 504	WIPER BLADE CAR REAR VF 335MM	1
3055 119 506	WIPER BLADE CAR REAR VF 300MM	1
3055 119 507	WIPER BLADE CAR REAR VF 400MM	1
3055 119 508	WIPER BLADE CAR REAR VF 425MM	1
3055 119 509	WIPER BLADE CAR REAR VF 480MM	1

Wiper Blades, Upgrade, Visioflex

- With special adapter system in order to upgrade the vehicles with commercially available wipers with the new Visioflex wipers

Article No.	Article Description	QTY
3055 119 710	(SET)WIPER BLADE CAR VN475/475	1
3055 119 711	(SET) WIPER CAR VN475/475MM/1	1
3055 119 725	(SET)WIPER BLADE CAR VN530/450	1
3055 119 726	(SET)WIPER BLADE CAR VN530/500	1
3055 119 727	(SET)WIPER BLADE CAR VN530/530	1
3055 119 728	SET WIP.BLADE CAR VN530/475MM	1
3055 119 729	SET WIP.BLA.CAR VN530/450MM/1	1
3055 119 739	SET WIP.BLADE CAR VN500/450MM	1
3055 119 740	(SET)WIPER BLADE CAR VN550/475	1
3055 119 741	(SET)WIPER BLADE CAR VN550/500	1
3055 119 742	(SET)WIPER BLADE CAR VN550/500	1
3055 119 743	(SET)WIPER BLADE CAR VN550/530	1
3055 119 744	SET WIP.BLADE CAR VN550/400MM	1
3055 119 745	SET WIP.BLA.CAR VN530/500MM/1	1
3055 119 760	(SET)WIPER BLADE CAR VN600/400	1
3055 119 761	(SET)WIPER BLADE CAR VN600/450	1
3055 119 762	(SET)WIPER BLADE CAR VN600/475	1
3055 119 763	(SET)WIPER BLADE CAR VN600/500	1
3055 119 764	(SET)WIPER BLADE CAR VN600/530	1
3055 119 780	(SET)WIPER BLADE CAR VN650/400	1
3055 119 781	SET WIP.BLADE CAR VN600/550MM	1
3055 119 782	SET WIP.BLADE CAR VN650/550MM	1
3055 119 783	(SET)WIPER BLADE CAR VN 650MM	1
3055 119 785	(SET)WIPER BLADE CAR VN700/650	1

Wiper Blades Visioflex-Set

Article No.	Article Description	QTY
3055 119 290	SET WIP.BLADE CAR VF600/350MM	1
3055 119 291	SET WIP.BLA.CAR VF600/450MM/2	1
3055 119 292	SET WIP.BLA.CAR VF550/530MM	1
3055 119 294	SET WIP.BLA.CAR VF600/500MM/1	1
3055 119 296	SET WIP.BLA.CAR VF600/500MM/2	1
3055 119 297	SET WIP.BLA.CAR VF600/500MM/4	1
3055 119 298	SET WIP.BLA.CAR VF600/450MM/1	1
3055 119 300	SET WIP.BLA.CAR VF600/380MM	1
3055 119 301	SET WIP.BLA.CAR VF530/475MM	1
3055 119 303	SET WIP.BLA.CAR VF530/530MM	1
3055 119 305	SET WIP.BLA.CAR VF600/475MM/3	1
3055 119 308	SET WIP.BLA.CAR VF580/580MM	1
3055 119 312	SET WIP.BLAD.CAR VF600/475MM/2	1
3055 119 318	SET WIPER BLAD.CAR VF500/500MM	1
3055 119 319	SET WIP.BLADE CAR VF530/475MM	1
3055 119 321	SET WIP.BLADE CAR VF530/530MM	1
3055 119 322	SET WIP.BLAD.CAR VF530/530MM/71	1
3055 119 323	SET WIP.BLADE CAR VF550/550MM	1
3055 119 328	SET WIP.BLADE CAR VF550/450MM	1
3055 119 330	SET WIP.BLADE CAR VF600/400MM	1
3055 119 332	SET WIP.BLADE CAR VF600/450 MM	1
3055 119 350	SET WIP.BLADE CAR VF550/480 MM	1
3055 119 353	SET WIP.BLADE CAR VF560/560MM	1
3055 119 354	SET WIP.BLA.CAR VF560/560MM/1	1
3055 119 355	SET WIP.BLAD.CAR VF600/475MM/2	1
3055 119 356	SET WIP.BLADE CAR VF600/550/MM	1
3055 119 357	SET WIP.BLADE CAR VF600/580MM	1
3055 119 358	SET WIP.BLADE CAR VF580/590MM	1
3055 119 360	SET WIP.BLADE CAR VF600/600 MM	1
3055 119 362	SET WIP.BLA.CAR VF550/400MM	1
3055 119 363	SET WIP.BLA.CAR VF600/475MM/1	1
3055 119 367	SET WIP.BLA.CAR VF550/475MM	1
3055 119 369	SET WIP.BLA.CAR VF580/450MM	1
3055 119 371	SET WIP.BLA.CAR VF600/425MM	1
3055 119 372	SET WIP.BLA.CAR VF600/550MM	1
3055 119 374	SET WIP.BLA.CAR VF600/500MM/3	1

Article No.	Article Description	QTY
3055 119 376	SET WIP.BLA.CAR VF580/475MM	1
3055 119 378	SET WIP.BLA.CAR VF600/400MM	1
3055 119 380	SET WIP.BLADE CAR VF650/550MM	1
3055 119 381	SET WIP.BLADE CAR VF650/650MM	1
3055 119 382	SET WIP.BLADE CAR VF700/600MM	1
3055 119 383	SET WIP.BLADE CAR VF700/700MM	1
3055 119 384	SET WIP.BLADE CAR VF650/475 MM	1
3055 119 385	SET WIP.BLA.CAR VF650/400MM/1	1
3055 119 387	SET WIP.BLADES CAR VF580/530MM	1
3055 119 388	SET WIP.BLADE CAR VF650/600MM	1
3055 119 389	SET WIP.BLA.CAR VF700/700MM/1	1
3055 119 390	SET WIP.BLA.CAR VF650/500MM/1	1
3055 119 391	SET WIP.BLA.CAR VF700/600MM/1	1
3055 119 392	SET WIP.BLA.CAR VF580/530MM/1	1
3055 119 393	SET WIP.BLA.CAR VF650/475MM/1	1
3055 119 394	SET WIP.BLADE CAR VF650/420MM	1
3055 119 395	SET WIP.BLADE CAR VF650/580MM	1
3055 119 397	SET WIP.BLADE CAR VF700/530MM	1
3055 119 398	SET WIP.BLADE CAR VF700/650MM	1
3055 119 399	SET WIP.BLADE CAR VF700/550MM	1
3055 119 401	SET WIP.BLA.CAR VF700/650MM/1	1
3055 119 402	SET WIP.BLA.CAR VF700/650MM/2	1
3055 119 403	SET WIP.BLA.CAR VF650/550MM/1	1
3055 119 404	SET WIPER CAR VF650/650MM/1	1
3055 119 407	SET WIPER CAR VF650/600MM/1	1
3055 119 412	SET WIP.BLADES CAR VF660/390MM	1
3055 119 414	SET WIP.BLAD.CAR VF650/500MM/2	1
3055 119 415	SET WIP.BLAD.CAR VF650/650MM/1	1
3055 119 416	SET WIP.BLADES CAR VF650/550MM	1
3055 119 418	SET WIP.BLADES CAR VF650/480MM	1
3055 119 420	SET WIP.BLAD.CAR VF650/400MM/2	1
3055 119 422	SET WIP.BLAD.CAR VF650/650MM/2	1
3055 119 424	SET WIP.BLA.CAR VF580/580MM/1	1
3055 119 426	SET WIP.BLA.CAR VF700/550MM/1	1
3055 119 451	SET WIP.BLADES CAR VF800/750MM	1
3055 119 452	SET WIPER BLA.CAR VF750/450MM	1

Wiper Blades Visionext

- Highest washing quality at all speeds
- Optimum curvature of the spring rail
- Pre-mounted universal adapter
- Covers approx 83% of the vehicles
- Maximum vehicle coverage at low storage requirements

Article No.	Article Description	QTY
3055 119 835	WIP.BLADE CAR VISIONEXT 350MM	1
3055 119 840	WIP.BLADE CAR VISIONEXT 400MM	1
3055 119 845	WIP.BLADE CAR VISIONEXT 450MM	1
3055 119 848	WIP.BLADE CAR VISIONEXT 480MM	1
3055 119 850	WIP.BLADE CAR VISIONEXT 500MM	1
3055 119 853	WIP.BLADE CAR VISIONEXT 530MM	1
3055 119 855	WIP.BLADE CAR VISIONEXT 550MM	1
3055 119 860	WIP.BLADE CAR VISIONEXT 600MM	1
3055 119 865	WIP.BLADE CAR VISIONEXT 650MM	1



Racking System for Wiper Blades

- For optimum sales promotion due to attractive colour combination
- Provides a neat arrangement which makes handling easier and gives clear stock control
- Offers space for max. 20 different types of car wiper blade
- A single sales rack should be mounted on a wall to give the best stability against collapse. Two racks can also be clamped together by screwing them at the back to provide freestanding display in the room
- Dimensions (H x W x D mm): 2160 x 785 x 400



Article No.	Article Description	QTY
9100 40	SR WIP.BL.WITHOUT MOUNT.+HOOKS	1

Included in delivery:

- 1 sales rack without mounting
- 14 hooks Art. No. 9101 1200 1
- List of wiper bladeS for car type Art. No. 9890 24

Repair Kit for Window Lifter VW

- Suitable for W Golf and Bora
- Engine: 1.4 - 3.2 (incl. D)
- Year of Construction: 10/97
- Retaining bracket: For arresting the cable hoist of the window lifter



Instruction:

- Fig. 1: Press cable tensioning springs B1 and B2 together and install metal bracket A.
- Fig. 2: Replace both plastic parts of window support brackets C1 and C2 and reattach the cord.
- Fig. 3,4,5 and 6: Position the cord back into notched discs D1, D2 and D3 and use the matching handle to tension disc D4 according to the instructions in Figs. 3,4,5 and 6. The repair kit contains two handles for the different recesses in the disc of the different models.



Article No.	Article Description	QTY
3011 20	WINDOWLIFTER-REPAIR-SET VW	1

Radiator Hose Repair Kit, 129-Piece

Repair kit for rubber hoses in all common diameters (16, 20, 24, 25, 26 and 32 mm)

- The wide range of accessories makes quick and professional repair in all areas of the cooling water circuit possible
- With the supplied pieces of tubing also heavy damages can be handled by attaching a new piece of tubing

Application:

- Cut out the defective piece of tubing and repair using the supplied hose connector or connecting piece



Article No.	Article Description	QTY
3919 1	RADIATOR HOSE REPAIR KIT	1

Contents:

Art. No.	Art. Description	Quantity
3200 12 20	HOSE CL TOR 9MM SW7 W2 12-22	4
3200 16 25	HOSE CL TOR 9MM SW7 W2 16-27	4
3200 23 35	HOSE CL TOR 9MM SW7 W2 23-35	4
3200 25 40	HOSE CL TOR 9MM SW7 W2 25-40	4
3919 050 20	BLIND PLUG	4
3919 051 20	SAFETY CLAMP	25
3919 052 20	O-RING 3.5X20MM	25
3919 150	RADIATOR HOSE GW Ø15MM L220MM	2
3919 200	RADIATOR HOSE GW Ø20MM L220MM	2
3919 250	RADIATOR HOSE GW Ø25MM L220MM	2
3919 320	RADIATOR HOSE GW Ø32MM L220MM	2
3919 885 19 8	T-HOSE CNCTR.RED.TYPE TRS 19/8	1
3919 900 4	HOSE CONNECTING PIECE GS4MM	2
3919 901 10	HOSE CONNECTING PIECE GS10MM	1
3919 902 12	HOSE CONNECTING PIECE GS12MM	1
3919 903 15	HOSE CONNECTING PIECE GS15MM	1
3919 904 19	HOSE CONNECTING PIECE GS19MM	1
3919 905 22	HOSE CONNECTING PIECE GS22MM	1
3919 911 10	L-HOSE CONNECT.PIECE LS 10	1
3919 912 12	L-HOSE CONNECT.PIECE LS 12	1
3919 913 15	L-HOSE CONNECT.PIECE LS 15	1
3919 914 19	L-HOSE CONNECT.PIECE LS 19	1
3919 928 4	T-HOSE CONNECT.PIECE TS 4	2
3919 929 6	T-HOSE CONNECT.PIECE TS 6	1
3919 930 8	T-HOSE CONNECT.PIECE TS 8	1
3919 931 10	T-HOSE CONNECT.PIECE TS 10	1
3919 932 12	T-HOSE CONNECT.PIECE TS 12	1
3919 933 15	T-HOSE CONNECT.PIECE TS 15	1
3919 934 19	T-HOSE CONNECT.PIECE TS 19	1
3919 935 12 8	T-HOSE CNCTR.REDUCE.TR 12/8	1
3919 946 20	CONNECTING PIECE FEMALE	1
3919 947 20	L-CONNECTNG PIECE FEMALE+MALE	1
3919 948 20	L-CONNECT.PIECE FEMALE+FEMALE	1
3919 949 20	CONNECTING PIECE MALE	1
3919 952 12	CONNECT.PIECE-HOSE CNCTR.12MM	3
3919 953 15	CONNECT.PIECE-HOSE CNCTR.15MM	3
3919 954 19	CONNECT.PIECE-HOSE CNCTR.19MM	3
3919 955 22	CONNECT.PIECE-HOSE CNCTR.22MM	3
3919 956 25	CONNECT.PIECE-HOSE CNCTR.25MM	3
3919 957 32	CONNECT.PIECE-HOSE CNCTR.32MM	3
9850 3919 1	INLAY SHEET-RADIA.HOSE REP.KIT	1



Radiator Hose Repair Kit, Individual Parts



3919 150 15 x 3,5 x 220 mm
 3919 200 20 x 3,5 x 220 mm
 3919 250 25 x 3,5 x 220 mm
 3919 320 32 x 4,0 x 220 mm



3919 941 25 20 25 mm
 3919 942 32 20 32 mm
 3919 943 38 20 38 mm



3919 952 12 12 mm
 3919 953 15 15 mm
 3919 954 19 19 mm
 3919 955 22 22 mm
 3919 956 25 25 mm
 3919 957 32 32 mm



3919 885 19 8 19/8 mm



3919 935 12 8 12/15 - 8/10 mm
 3919 936 19 10 19/22 - 10/12 mm



3919 928 4 4 mm
 3919 929 6 6 mm
 3919 930 8 8 mm
 3919 931 10 10 mm
 3919 932 12 12 mm
 3919 933 15 15 mm
 3919 934 19 19 mm



3919 900 4 4 mm
 3919 901 10 10 mm
 3919 902 12 12 mm
 3919 903 15 15 mm
 3919 904 19 19 mm
 3919 905 22 22 mm



3919 920 10 12 10/12 mm
 3919 921 12 15 12/15 mm
 3919 922 15 19 15/19 mm



3919 911 10 10 mm
 3919 912 12 12 mm
 3919 913 15 15 mm
 3919 914 19 19 mm



3919 050 20 Ø 26 mm



3919 052 20 3,5 x 20 mm



3919 051 20



3200 12 20
 3200 16 25
 3200 23 35
 3200 25 40



3919 946 20 27/27 mm



3919 948 20 26/26 mm



3919 947 20 26/27 mm



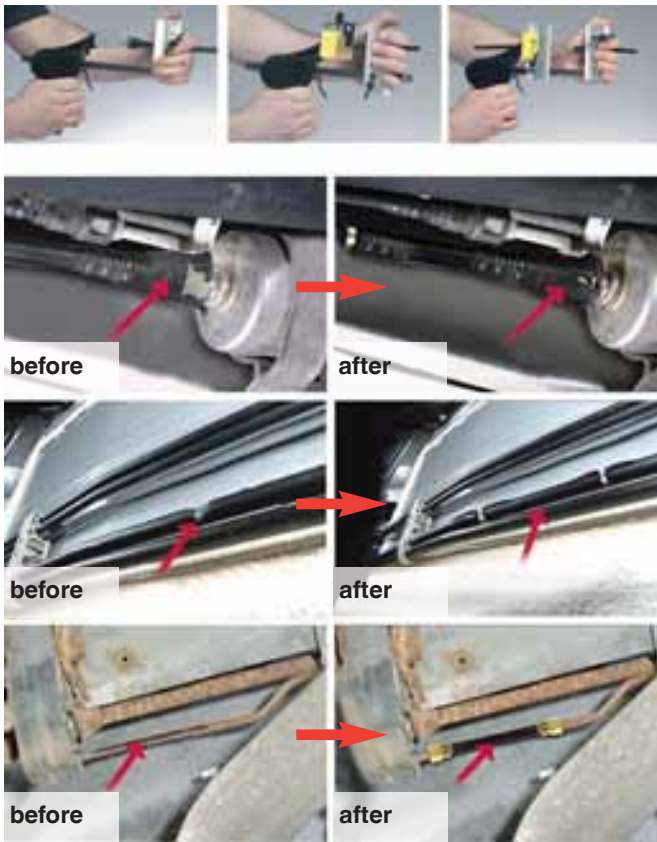
3919 948 20 27/27 mm

Article No.	Article Description	QTY
3919 150	RADIATOR HOSE GW Ø15MM L220MM	2
3919 200	RADIATOR HOSE GW Ø20MM L220MM	2
3919 250	RADIATOR HOSE GW Ø25MM L220MM	2
3919 320	RADIATOR HOSE GW Ø32MM L220MM	2
3919 941 25 20	T-HOSE CONNECTING PIECE 25/20	1
3919 942 32 20	T-HOSE CONNECTING PIECE 32/20	1
3919 943 38 20	T-HOSE CONNECTING PIECE 38/20	1
3919 952 12	CONNECT.PIECE-HOSE CNCTR.12MM	3
3919 953 15	CONNECT.PIECE-HOSE CNCTR.15MM	3
3919 954 19	CONNECT.PIECE-HOSE CNCTR.19MM	3
3919 955 22	CONNECT.PIECE-HOSE CNCTR.22MM	3
3919 956 25	CONNECT.PIECE-HOSE CNCTR.25MM	3
3919 957 32	CONNECT.PIECE-HOSE CNCTR.32MM	3
3919 885 19 8	T-HOSE CNCTR.RED.TYPE TRS 19/8	1
3919 935 12 8	T-HOSE CNCTR.REDUCE.TR 12/8	1
3919 936 19 10	T-HOSE CNCTR.REDUCE.TR 19/10	1
3919 928 4	T-HOSE CONNECT.PIECE TS 4	2
3919 929 6	T-HOSE CONNECT.PIECE TS 6	1
3919 930 8	T-HOSE CONNECT.PIECE TS 8	1
3919 931 10	T-HOSE CONNECT.PIECE TS 10	1
3919 932 12	T-HOSE CONNECT.PIECE TS 12	1
3919 933 15	T-HOSE CONNECT.PIECE TS 15	1
3919 934 19	T-HOSE CONNECT.PIECE TS 19	1

Article No.	Article Description	QTY
3919 900 4	HOSE CONNECTING PIECE GS4MM	2
3919 901 10	HOSE CONNECTING PIECE GS10MM	1
3919 902 12	HOSE CONNECTING PIECE GS12MM	1
3919 903 15	HOSE CONNECTING PIECE GS15MM	1
3919 904 19	HOSE CONNECTING PIECE GS19MM	1
3919 905 22	HOSE CONNECTING PIECE GS22MM	1
3919 920 10 12	REDUCING ADAPT.TYPE GRS 10/12	1
3919 921 12 15	REDUCING ADAPT.TYPE GRS 12/15	1
3919 922 15 19	REDUCING ADAPT.TYPE GRS 15/19	1
3919 911 10	L-HOSE CONNECT.PIECE LS 10	1
3919 912 12	L-HOSE CONNECT.PIECE LS 12	1
3919 913 15	L-HOSE CONNECT.PIECE LS 15	1
3919 050 20	BLIND PLUG	4
3919 052 20	O-RING 3.5X20MM	25
3919 051 20	SAFETY CLAMP	25
3200 12 20	HOSE CL TOR 9MM SW7 W2 12-22	f 100
3200 16 25	HOSE CL TOR 9MM SW7 W2 16-27	f 100
3200 23 35	HOSE CL TOR 9MM SW7 W2 23-35	f 100
3200 25 40	HOSE CL TOR 9MM SW7 W2 25-40	f 100
3919 946 20	CONNECTING PIECE FEMALE	1
3919 949 20	CONNECTING PIECE MALE	1
3919 947 20	L-CONNECTNG PIECE FEMALE+MALE	1
3919 948 20	L-CONNECT.PIECE FEMALE+FEMALE	1

Fuel Line Repair Kit

- For simple installation of straight and angled fuel line couplings
- The special grip clamps are used to press the connectors or couplings into the fuel line



Article No.	Article Description	QTY
3908 1	FUEL LINE REPAIR SET	1

Contents:

- 1x Art. No.3908 1 009 Separating Tool 6.5 mm/8.0 mm
- 1x Art. No.3908 1 010 Separating Tool 12.7 mm
- 10x Art. No.3908 1 011 Double Connector 8.0 mm
- 10x Art. No.3908 1 012 Double Connector 6.5 mm
- 4x Art. No.3908 1 030 Adapter 6.5 mm/M 14 x 1.5 AG
- 4x Art. No.3908 1 035 Adapter 8.0 mm/9.5 mm
- 4x Art. No.3908 1 036 Adapter 6.5 mm/8.0 mm
- 1x Art. No.3908 1 074 RO(3.0m) PA Fuel Line ID 6.5mm
- 1x Art. No.3908 1 075 RO(3.0m) PA Fuel Line ID 8.0mm
- 4x Art. No.3908 1 080 Coupling straight 8.0 mm/6.5mm
- 4x Art. No.3908 1 081 Coupling 90° 8.0 mm/6.5 mm
- 4x Art. No.3908 1 082 Coupling straight 10.0mm/8.0mm
- 4x Art. No.3908 1 083 Coupling straight 1/4"/6.5mm
- 4x Art. No.3908 1 084 Coupling straight 8.0mm/8.0mm
- 4x Art. No.3908 1 085 Coupling straight 10.0mm/6.5mm
- 4x Art. No.3908 1 086 Coupling 90° 10.0 mm/8.0 mm
- 4x Art. No.3908 1 089 Coupling 90° 8.0 mm/6.5 mm/1
- 4x Art. No.3908 1 090 Coupling 90° 8.0 mm/6.5 mm/1
- 4x Art. No.3908 1 091 Coupling 90° 10.0 mm/6.5 mm
- 4x Art. No.3908 1 092 Coupling 90° 8.0 mm/8.0 mm
- 1x Art. No. 3908 1 305 Cutting Shears
- 1x Art. No. 3908 1 350 Gripping Pliers
- 1x Art. No. 3908 1 351 Retainer f. straight connector
- 1x Art. No. 3908 1 352 Clamping Jaw Kit
- 1x Art. No. 3908 1 353 Retainer for 90° connector
- 5x Art. No. 3908 1 354 Wing Screw
- 1x Art. No. 3908 1 355 Wedge Adapter
- 1x Art. No. 3908 1 356 Clamping Jaw Retainer yellow

Fuel Hose Dispenser System

- Robust roll holder made of sheet steel for individual storage of FÖRCH fuel hose rolls
- Including special cutter
- Front guidance avoids hose slipping back
- Suitable for all FÖRCH perforated panels and for the VARO racking system
- Colour RAL 5003



Article No.	Article Description	QTY
3905 1	FUEL HOSE DISPENS.SYSTEM	1

Contents:

- 1x Art. No. 3799 4 Perforated panel
- 3x Art. No. 3799 5 Roll holder with wood axis
- 1x Art. No. 4760 9 Hose cutter 190 mm
- 1x Art. No. 3404 10 40 Chain for hose cutter 400 mm
- 1x Art. No. 5980 990 Fixing kit

Dispenser System for Fuel Hose / Abrasive Paper

- Solid roll holder made of sheet steel with enclosed wooden axle for individual mounting
- Suitable for all Förch perforated panels and VARO racking systems
- Tear-off edge for abrasive paper
- Can be fitted optionally
- Colour: RAL 5003

Product no. 3799 5:

- Suitable for fuel hoses, slipping paper, abrasive sheets, abrasive fleece

Product no. 3799 6:

- Suitable for abrasive cloth
- Product group 5980: 40 mm width
- Product group 5981: 50 mm width
- Product group 5982: 60 mm width



Article No.	Article Description	QTY
3799 4	PERFORATED PANEL FOR DISPENSER	1
3799 5	DISPENSER W.WOOD AXLE 130MM	1
3799 6	DISPENSER F.DISC/SHEETS 65MM	1
3799 5 1	WOOD.AXLE FOR DISPENSER 140MM	1
3799 6 1	VARO-ROLL HOLDER SHAFT 74MM	1

Hand Shears Combi

- Combi-shears for craft, workshop and household
- Ideal for fuel and water hoses
- Cuts rubber, plastic, paper/cardboard, leather, cord, cable, thin sheet and plants etc.
- With integrated spring for easy use and locking mechanism
- Total length 190 mm, cutting length 42 mm



Article No.	Article Description	QTY
4760 9	COMBI-HOSE SHEARS 190MM	1

Hand Shears Profi - Bully

- For profiles made of wood, plastic, rubber, for cutting cables, fuel and hose lines
- Max. cutting diameter: 17 mm



Article No.	Article Description	QTY
4760 3	PROFILE SHEARS BULLY 180MM	1

Blind Plug

- Plugs for injection nozzles

Article No.	Article Description	QTY
3014 32	BLIND PLUG FOR INJEC.NOZ.3.2MM	50



Fuel Hose with Rubber

- Textile braiding insert acc. to DIN 73379
- Colour: black, packaged in dispenser cartons
- Temperature resistant from -40°C up to +85°C
- Up to Ø 9.5 mm max. 15 bar working pressure
- From Ø 9.5 mm max. 12 bar working pressure
- Testing pressure and explosion limit 30/60 bar

Article No.	Article Description	QTY
3900 32	RO(15M) FUEL HOSE RUBBER: 3,2	1
3900 45	RO(15M) FUEL HOSE RUBBER:4,5MM	1
3900 53	RO(15M) FUEL HOSE RUBBER:5,3MM	1
3900 55	RO(15M) FUEL HOSE RUBBER:5,5MM	1
3900 6	RO(15M) FUEL HOSE RUBBER: 6,0	1
3900 7	RO(15M) FUEL HOSE RUBBER:7,0MM	1
3900 75	RO(10M) FUEL HOSE RUBBER:7,5MM	1
3900 9	RO(10M) FUEL HOSE RUBBER:9,0MM	1
3900 93	RO(10M) FUEL HOSE RUBBER:9,5MM	1
3900 113	RO(8M) FUEL HOSE RUBBER:11,3MM	1

Technical Data					
Art. No.	S mm	d2 mm	d1 mm	Vehicle type	
3900 32	2.6	8.4	3.2	Universal	
3900 45	3.0	10.5	4.5	Daimler-Benz	
3900 53	3.0	11.3	5.3	BMW	
3900 55	3.0	11.5	5.5	Universal	
3900 6	3.0	12.0	6.0	Universal	
3900 7	3.0	13.0	7.0	Ford, Opel, VAG	
3900 75	3.0	13.5	7.5	Universal	
3900 9	3.0	15.0	9.0	Daimler-Benz, Opel	
3900 93	3.0	15.3	9.3	BMW	
3900 113	3.0	17.3	11.3	BMW	

Fuel Hose with Textile Braid

- According to DIN 73379
- Colour: black, packaged in dispenser carton
- Temperature resistant: from -40°C up to +85°C
- From Ø 9.5 mm max. 15 bar working pressure
- From Ø 9.5 mm max. 12 bar working pressure
- Testing pressure and explosion limit 30/60 bar

Article No.	Article Description	QTY
3901 32	RO(15M)FUEL HOSE 3,2MM DIESEL	1
3901 35	RO(15M) FUEL HOSE BRAIDED 3,5M	1
3901 5	RO(15M) FUEL HOSE BRAIDED 5,0M	1
3901 55	RO(15M) FUEL HOSE BRAIDED 5,5M	1
3901 75	RO(15M) FUEL HOSE BRAIDED 7,5M	1
3901 90	RO(10M) FUEL HOSE BRAIDED 9,0M	1
3901 110	RO(8M) FUEL HOSE BRAIDED 11,0M	1

Technical Data					
Art. No.	S mm	d2 mm	d1 mm	Vehicle type	
3901 32	2.5	8.2	3.2	DB, Opel, VAG	
3901 35	2.5	8.5	3.5	Universal	
3901 5	2.5	10.0	5.0	Universal	
3901 55	2.5	10.5	5.5	Universal	
3901 75	2.5	12.5	7.5	Universal	
3901 90	3.0	15.0	9.0	Universal	
3901 110	2.5	17.5	11.0	Universal	

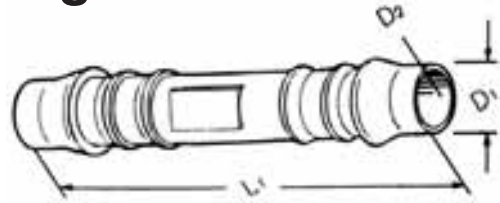
Petrol Filter Universal

Article No.	Article Description	QTY
3906 1	PETROL FILTER 6/8MM	1



Straight Hose Fitting Connecting Piece TYPE GS

- Without thread made of acetalcopolymerisat - natural colours
- High chemical resistance, consistence, viscosity, abrasion-proof

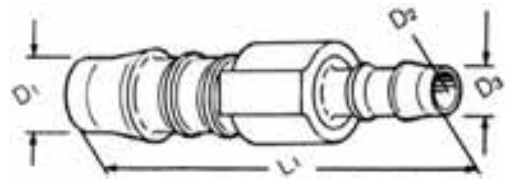


Article No.	Article Description	QTY
3910 3	HOSE CONNECTOR GS 3	25
3910 4	HOSE CONNECTOR GS 4	25
3910 5	HOSE CONNECTOR GS5	25
3910 6	HOSE CONNECTOR GS 6	25
3910 8	HOSE CONNECTOR GS 8	25
3910 10	HOSE CONNECTOR GS10	25

Technical Data			
Art. No.	D1 mm	D2 mm	L1 mm
3910 3	3	2.5	25
3910 4	4	2.7	35
3910 5	5	3	45
3910 6	6	4	49
3910 8	8	5.6	56
3910 10	10	7	63

Straight Reduce Pieces Type GRS

- Without thread made of acetalcopolymerisat - natural colours
- High chemical resistance, consistency, viscosity, shock and abrasion resistance

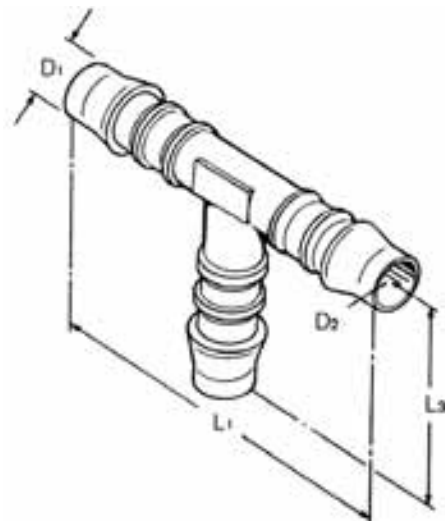


Article No.	Article Description	QTY
3911 43	HOSE CONNECTOR GRS 4-3	25
3911 64	HOSE CONNECTOR GRS 6-4	25

Technical Data				
Art.-Nr.	D1 mm	D3 mm	D2 mm	L1 mm
3911 43	4	3	2.5	30.0
3911 64	6	4	2.7	43.5

T-Hose Connection Pieces Type TS

- Without thread made of acetalcopolymerisat - natural colours
- High chemical resistance, consistency, viscosity, shock and abrasion resistance



Article No.	Article Description	QTY
3912 3	HOSE CONNECTOR TS 3	25
3912 4	HOSE CONNECTOR TS 4	25
3912 5	HOSE CONNECTOR TS 5	25
3912 6	HOSE CONNECTOR TS 6	25
3912 7	HOSE CONNECTOR TS 7	25
3912 8	HOSE CONNECTOR TS 8	25
3912 10	HOSE CONNECTOR TS10	25
3912 16	HOSE CONNECTOR TS16	25

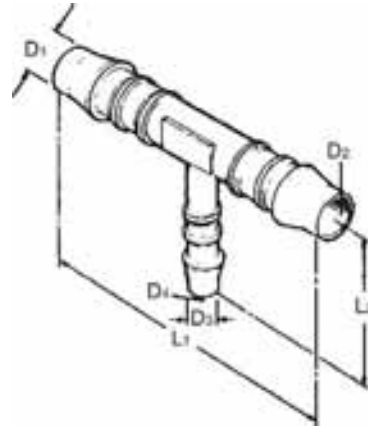
Technical Data				
Art. No.	D1 mm	D2 mm	L1 mm	L3 mm
3912 3	3	2.5	25	12.5
3912 4	4	2.7	35	19.5
3912 5	5	3	42	22
3912 6	6	4	50	26
3912 7	7	5	50	26
3912 8	8	5.6	58	30
3912 10	10	7	62.5	33.5
391216	16	12	81	45

Mechanical characteristics

- NORMAPLAST hose fitting parts for hose inside diameter from 3 mm to 19 mm distinguishes itself by having high resistance, consistency, low weight, damping ability, abrasion and high shock resistance. The ribbing on the hose connection effects a safe coupling between hose and connection piece.

T-Hose Connection Pieces Type TRS

- Without thread made of acetalcopolymerisat - natural colours
- High chemical resistance, consistency, viscosity, shock and abrasion resistance

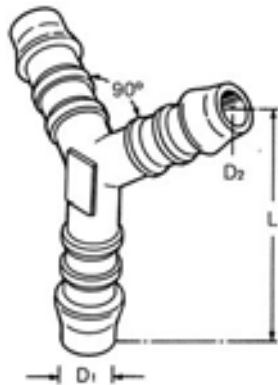


Article No.	Article Description	QTY
3914 18	HOSE CONNECTOR TRS 18	25

Technical Data						
Art. No.	D1 mm	D2 mm	D3 mm	D4 mm	L1 mm	L2 mm
3914 18	18	14	15	11	80	44

Y-Hose Connection Pieces Type YS

- Without thread made of acetalcopolymerisat - natural colours
- High chemical resistance, consistency, viscosity, shock and abrasion resistance

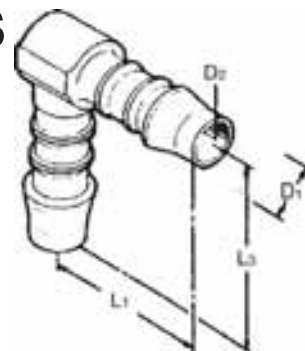


Article No.	Article Description	QTY
3913 3	HOSE CONNECTOR YS 3	25
3913 4	HOSE CONNECTOR YS 4	25
3913 5	HOSE CONNECTOR YS 5	25
3913 6	HOSE CONNECTOR YS 6	25
3913 8	HOSE CONNECTOR YS 8	25
3913 10	HOSE CONNECTOR YS 10	25

Technical Data			
Art. No.	D1 mm	D2 mm	L1 mm
3913 3	3	2.5	21
3913 4	4	2.5	25.5
3913 5	5	3	43
3913 6	6	4	44
3913 8	8	5.6	51
3913 10	10	7	54

L-Hose Connection Piece Type WS

- Without thread made of acetalcopolymerisat - natural colours
- High chemical resistance, consistency, viscosity, shock and abrasion resistance



Article No.	Article Description	QTY
3916 10	HOSE CONNECTOR WS 10	25

Technical Data				
Art. No.	D1 mm	D2 mm	L1 mm	L2 mm
3916 10	10	7	31	33.5

Assortment Hose Fittings

• 155 pieces

Article No.	Article Description	QTY
9000 391	ASS.HOSE FITTINGS	1
9000R 391	INTRAY HOSE FITTINGS	1

Contents:

Art. No.	Art. Description	Quantity
3202 8 12	CLAMP SGL 8MM SW6 W2 8-12	10
3202 10 16	CLAMP SGL 8MM SW6 W2 10-16	10
3910 4	HOSE CONNECTOR STRAIGHT GS 4	15
3910 6	HOSE CONNECTOR STRAIGHT GS 6	15
3910 8	HOSE CONNECTOR STRAIGHT GS 8	10
3911 64	HOSE CONNECTOR GRS 6-4	15
3912 4	HOSE CONNECTOR TS 4	15
3912 6	HOSE CONNECTOR TS 6	15
3912 8	HOSE CONNECTOR TS 8	10
3913 4	HOSE CONNECTOR YS 4	15
3913 6	HOSE CONNECTOR YS 6	15
3913 8	HOSE CONNECTOR YS 8	10



Hose Connector

- Material: pentamid A (PA6) + 30% GF
- Max. temperature: 140°C, for short periods up to 190°C



Article No.	Article Description	QTY
3915 6	HOSE CONNECTOR KST 6MM	z 25
3915 8	HOSE CONNECTOR PLASTIC 8MM	z 25
3915 10	HOSE CONNECTOR PLASTIC 10MM	z 25
3915 13	HOSE CONNECTOR PLASTIC 13MM	z 25
3915 16	HOSE CONNECTOR PLASTIC 16MM	z 25
3915 19	HOSE CONNECTOR PLASTIC 19MM	z 25

Technical Data			
Art. No.	Inside width	Length L	Hose Inside diameter
3915 6	3.5	41	6
3915 8	5.5	41	8
3915 10	7.5	41	10
3915 13	10.5	41	13
3915 16	13.5	46	16
3915 19	16.5	59	19

Vacuum Hoses Made of Synthetic Rubber

- Colour: black
- Packaged in dispenser cartons



Article No.	Article Description	QTY
3902 33	RO(15M) VACUUM HOSE BMW 3,3MM	1
3902 35	RO(15M) VACUUM HOSE UNI-3,5MM	1
3902 5	RO(15M) VACUUM HOSE GM 5,0MM	1

Technical Data				
Art. No.	S mm	d2 mm	d1 mm	Vehicle type
3902 3 3	1.75	6.8	3.3	BMW
3902 3 5	2.00	8.0	3.5	Universal
3902 5	2.50	10.0	5.0	Opel

PVC Hoses for Washer System

- Colour: transparent
- Packed in dispenser cartons



Article No.	Article Description	QTY
3903 3	RO(20M) WASHER SYSTEM HOSE 3,0	1
3903 4	RO(20M) WASHER SYSTEM HOSE 4,0M	1
3903 5	RO(20M) WASHER SYSTEM HOSE 5,0M	1

Technical Data				
Art. No.	S mm	d2 mm	d1 mm	Vehicle type
3903 3	1.5	6.0	3.0	Universal
3903 4	1.0	6.0	4.0	Universal
3903 5	1.5	8.0	5.0	Universal

Wheel Nuts

Art. No. 3013 12 15:

- Ford Original No. 1007487/ 6040307/ 1447852
- Dimension: M12 x 1.5, SW19
- Surface: galvanized matt
- Grade: 8

Art. No. 3013 12 15 1:

- Ford Original No. 1470843
- Dimension: M12 x 1.5, SW19
- Surface: aluminium zinc
- Grade: 10

Art. No. 3021 12 15:

- Toyota Original No. 90942-01007-83
- Mazda Original No. 0603-26-161
- Mitsubishi Original-Nr. MA 103087
- Dimension: M12 x 1.5, SW21
- Surface: yellow galvanized, chrome-3-value
- Grade: 8



Article No.	Article Description	QTY
3013 12 15	FORD WHEEL NUT M12X1.5 SW19 8	f 100
3013 12 15 1	FORD WHEEL NUT M12X1.5 SW19 10	f 100
3021 12 15	TOYOTA WHEEL NUT M12X1.5 SW21	f 100

Brake Lines

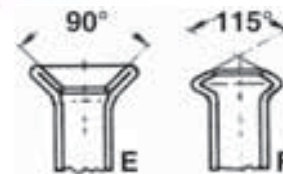
- DIN flange E: double-flanging
- DIN flange F: single-flanging
- **Caution:** Make sure to mount the conductive material according to original equipment version!

Material:

- St = steel, plastic coated, colour: olive
- CU = copper
- CUNI = copper-nickel

Article No.	Article Description	QTY
3125 475	RO(5M)BRAKE LINE ST 4.75MM	1
3125 475 1	RO(7,62M)BRAKE LINE CO 4.75MM	1
3125 475 1 50	RO(50M)BRAKE LINE CO 4.75MM	1
3125 475 2	RO(5M)BRAKE LINE CO-NI 4.75MM	1
3125 475 2 25	RO(25M)BRAKE LINE CO-NI 4.75MM	1
3125 500	RO(5M)BRAKE LINE CO 5.00MM	1
3125 600	RO(5M)BRAKE LINE CO-NI 6.00MM	1

(Outer-Ø mm)



Brake Nipples

Brake Nipple PA

Article No.	Article Description	QTY
3126 14	BRA.NI.PA7/16X24UNF SW11X21.2	10



Technical Data					
Dimensions	Inside-Ø	SW	Length	Flange	Vehicle Types
					DIN
7/16 x 24 UNF	5 mm	11	21.2 mm	E, F	American vehicles such as Chrysler

Brake Nipple A

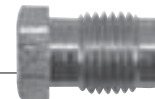
Article No.	Article Description	QTY
3126 1	BRAKE NIP.A M10X1 SW11X16,7MM	10



Technical Data					
Measur.	Inside-Ø	SW	Length	Flange	Vehicle types
					DIN
M10 x 1	5 mm	11	16.7 mm	F	Alfa, Audi, BMW, Citroen, Dacia, Fiat, Ford, Honda, Mitsubishi, Mercedes, Nissan, Opel, Peugeot, Renault, Rover, Saab, Seat, Skoda, Talbot, Volvo, VW, Zastava

Brake Nipple D

Article No.	Article Description	QTY
3126 2	BRAKE NIP.D M10X1 SW10X16,7MM	10



Technical Data					
Measur.	Inn. dia.	SW	Length	Flange	Vehicle types
					DIN
M10 x 1	5 mm	10	16.7 mm	E	Daihatsu, Hyundai, Nissan, Opel, Skoda, Nissan, Toyota, Vauxhall, VW

Brake Nipple H

Article No.	Article Description	QTY
3126 3	BRA.NI.H 3/8X24UNF SW14X17,5MM	10



Technical Data					
Measur.	Inn. dia.	SW	Length	Flange	Vehicle types
					DIN
3/8 x 24 UNF	5 mm	14	17.5 mm	E	Bedford, Rover, Saab, Talbot, Vauxhall

Brake Nipple M

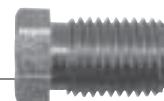
Article No.	Article Description	QTY
3126 4	BRA.NI.M M10X1,25 SW10X14,2MM	10



Technical Data					
Measur.	Inn. dia.	SW	Length	Flange	Vehicle types
					DIN
M10 x 1.25	5 mm	10	14.2 mm	E	Mazda

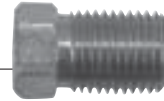
Brake Nipple S

Article No.	Article Description	QTY
3126 5	BRA.NI.S 3/8X24UNF SW10X18,0MM	10



Technical Data					
Measur.	Inn. dia.	SW	Length	Flange	Vehicle types
					DIN
3/8 x 24 UNF	5 mm	10	18.0 mm	E	Peugeot, Talbot, Volvo

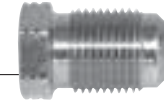
Brake Nipple TX



Article No.	Article Description	QTY
3126 6	BRA.NI.TX M10X1 SW10X18,0MM	10

Technical Data					
Measurement	Inside-Ø	SW	Length	Flange DIN	Vehicle types
M10 x 1.0	5 mm	10	18,0 mm	E	Daihatsu, Honda, Hyundai, Isuzu, Mazda, Mitsubishi, Nissan, Opel, Suzuki, Toyota, VW

Brake Nipple B 5,0



Article No.	Article Description	QTY
3126 7	BRA.NI.B 5,0 M12X1 SW12X20,0MM	10

Technical Data					
Measurement	Inside-Ø	SW	Length	Flange DIN	Vehicle types
M12 x 1.0	5 mm	12	20,0 mm	E, F	Alfa, Audi, Citroen, Fiat, Ford, Honda, Opel, Peugeot, Renault, Rover, Seat, Skoda, Saab, Volvo, VW

Brake Nipple Adapter OAA



Article No.	Article Description	QTY
3126 8	BRA.NI. OAA M10X1 SW14X24,0MM	10

Technical Data					
Measurement	Inside-Ø	SW	Length	Flange DIN	Vehicle types
M10 x 1.0	3.5 mm	14	24,0 mm	F	

Brake Nipple B



Article No.	Article Description	QTY
3126 9	BRA.NI.B M12X1 SW12X18,0MM	10

Technical Data					
Measurement	Inside-Ø	SW	Length	Flange DIN	Vehicle types
M12 x 1.0	6 mm	12	18,0 mm	E	Audi, Ford, Saab, Volvo, VW

Brake Nipple E



Article No.	Article Description	QTY
3126 10	BRA.NI.E M10X1 SW14X13,0MM	10

Technical Data					
Measurement	Inside-Ø	SW	Length	Flange DIN	Vehicle types
M10 x 1.0	5 mm	14	13,0 mm	E	Alfa, Audi, Citroen, Fiat, Ford, Opel, Peugeot, Renault, Rover, Seat, Saab, VW

Brake Nipple F



Article No.	Article Description	QTY
3126 11	BRA.NI.F 3/8X24UNF SW11X21,0MM	10

Technical Data					
Measurement	Inside-Ø	SW	Length	Flange DIN	Vehicle types
3/8 x UNF	5 mm	11	21,0 mm	E	Bedford, Renault, Rover, Saab, Talbot, Vauxhall, Volvo

Brake Nipple OBB



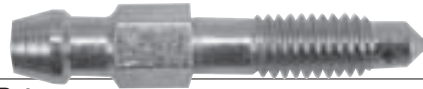
Article No.	Article Description	QTY
3126 12	BRA.NI.OBB M12X1 SW17X29,0MM	10

Technical Data					
Measurement	Inside-Ø	SW	Length	Flange DIN	Vehicle types
M12 x 1.0	4 mm	17	29,0 mm	E	

Bleeder Valve

Bleeder Valve 1

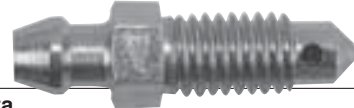
Article No.	Article Description	QTY
3127 1	BLEEDER VALVE M6X1 SW 7X38,0MM	10



Technical Data			
Measurement	SW	Length	Vehicle type
M6 x 1.0	7	38,0 mm	Audi, Seat, Skoda, Subaru, VW

Bleeder Valve 2

Article No.	Article Description	QTY
3127 2	BLEED.VALVE M8X1,25 SW9X32,4MM	10



Technical Data			
Measurement	SW	Length	Vehicle types
M8 x 1.25	9	32,4 mm	Alfa, Audi, BMW, Citroen, Fiat, Honda, Mercedes, Opel, Peugeot, Renault, Saab, Seat, Skoda, Vauxhall, Volvo, VW

Bleeder Valve 3

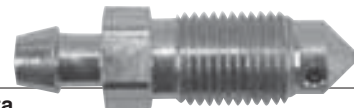
Article No.	Article Description	QTY
3127 3	BLEED.VALVE M10X1 SW10X34,0MM	10



Technical Data			
Measurement	SW	Length	Vehicle types
M10 x 1.0	10	34 mm	BMW, Daihatsu, Daewoo, Ford, Honda, Hyundai, Mitsubishi, Nissan, Opel, Rover, Peugeot, Renault, Subaru, Suzuki, Toyota, Vanden-Plas, Vauxhall, VW

Bleeder Valve 4

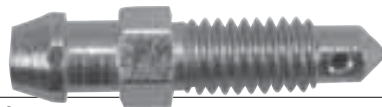
Article No.	Article Description	QTY
3127 4	BLEED.VALVE M10X1 SW10X36,0MM	10



Technical Data			
Measurement	SW	Length	Vehicle types
M10 x 1.0	10	36.0 mm	Audi, Citroen, BMW, Ford, Lancia, Mazda, Mercedes, Mitsubishi, Nissan, Opel, Peugeot, Seat, Skoda, Suzuki, Toyota, Volvo, VW

Bleeder Valve 5

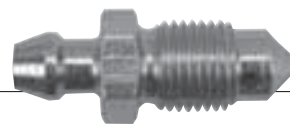
Article No.	Article Description	QTY
3127 5	BLEEDER VALVE M6X1 SW 7X29,0MM	10



Technical Data			
Measurement	SW	Length	Vehicle types
M6 x 1.0	7	29 mm	Audi, BMW, Mercedes, Saab, Seat, VW

Bleeder Valve 6

Article No.	Article Description	QTY
3127 6	BLEED.VALVE M10X1 SW11X30,0MM	10



Technical Data			
Measurement	SW	Length	Vehicle types
M10 x 1.0	11	30 mm	Alfa, Audi, Citroen, Fiat, Ford, Honda, Hyundai, Iveco, Jaguar, Kia, Mazda, Mercedes, Mitsubishi, Nissan, OM, Peugeot, Princess, Renault, Rover, Saab, Seat, Skoda, Toyota, Vauxhall, Volvo, VW

Bleeder Valve 7

Article No.	Article Description	QTY
3127 7	BLEED.VALVE M7X1 SW7X26,2MM	10



Technical Data			
Measurement	SW	Length	Vehicle types
M7 x 1.0	7	26.2 mm	Alfa, BMW, Citroen, Daica, Daihatsu, Fiat, Ford, Isuzu, Mazda, Mitsubishi, Nissan, Opel, Peugeot, Renault, Rover, Seat, Skoda, Talbot, Vauxhall, Volvo, VW

Bleeder Valve 8

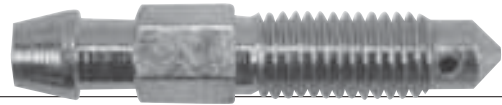
Article No.	Article Description	QTY
3127 8	BLEED.VALVE M7X1 SW7X28,7MM	10



Technical Data			
Measurement	SW	Length	Vehicle types
M7 x 1.0	7	28.7 mm	Alfa, Citroen, Fiat, Ford, Isuzu, Lancia, Mazda, Mitsubishi, Nissan, Peugeot, Renault, Rover, Talbot, Toyota, Volvo

Bleeder Valve 9

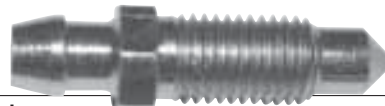
Article No.	Article Description	QTY
3127 9	BLEED.VALVE M7X1 SW7X38,3MM	10



Technical Data			
Measurement	SW	Length	Vehicle types
M7 x 1.0	7	38.3 mm	Alfa, Audi, BMW, Citroen, Daihatsu, Ford, Opel, Peugeot, Saab, Seat, Skoda, Subaru, Talbot, Toyota, Vauxhall, Volvo, VW

Bleeder Valve 10

Article No.	Article Description	QTY
3127 10	BLEED.VALVE M8X1 SW9X33,5MM	10



Technical Data			
Measurement	SW	Length	Vehicle types
M8 x 1.0	9	33.5 mm	Kia, Mazda, Mercedes, Opel, Saab, Vauxhall

Bleeder Valve 12

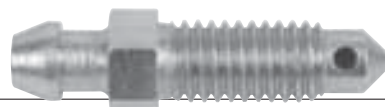
Article No.	Article Description	QTY
3127 12	BLEED.VALVE M8X1,25 SW9X41,5MM	10



Technical Data			
Measurement	SW	Length	Vehicle types
M8 x 1,25	9	41,5 mm	Citroen, Fiat, Lancia, Mercedes, Opel, Peugeot, Renault, Vauxhall, Volvo

Bleeder Valve 13

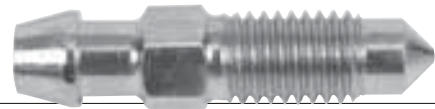
Article No.	Article Description	QTY
3127 13	BLEED.VALVE M8X1,25 SW9X35,5MM	10



Technical Data			
Measurement	SW	Length	Vehicle types
M8 x 1,25	9	35,5 mm	Citroen, Daewoo, Ford, Honda, Mercedes, Opel, Renault, Saab, Skoda, Suzuki, Toyota, Vauxhall, Volvo

Bleeder Valve 14

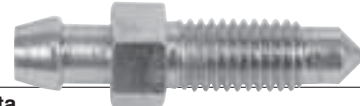
Article No.	Article Description	QTY
3127 14	BLEED.VALVE M7X1 SW 7X30,5MM	10



Technical Data			
Measurement	SW	Length	Vehicle types
M7 x 1.0	7	30.5 mm	Alfa, Audi, BMW, Citroen, DAF, Daihatsu, Fiat, Ford, Honda, Lancia, Mazda, Mercedes, Mitsubishi, Peugeot, Renault, Rover, Saab, Seat, Subaru, Suzuki, Talbot, Toyota, Volvo, VW

Bleeder Valve 15

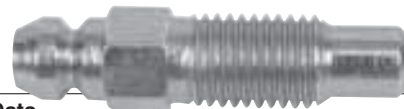
Article No.	Article Description	QTY
3127 15	BLEED.VALVE M7X1 SW 9X33,0MM	10



Technical Data			
Measurement	SW	Length	Vehicle types
M7 x 1.0	9	33.0 mm	Mazda, Mercedes, Mitsubishi, Opel, Renault, Saab, Talbot, Toyota, Vauxhall

Bleeder Valve 16

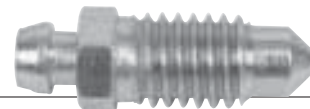
Article No.	Article Description	QTY
3127 16	BLEED.VALVE M8X1 SW 8X32,0MM	10



Technical Data			
Measurement	SW	Length	Vehicle types
M8 x 1.0	8	32.0 mm	Ford, Kia, Mazda

Bleeder Valve 17

Article No.	Article Description	QTY
3127 17	BLEED.VALVE M8X1,25 SW8X24,5MM	10



Technical Data			
Measurement	SW	Length	Vehicle types
M8 x 1.25	8	24.5 mm	Alfa, Autobianchi, Citroen, Daewoo, Fiat, Ford, Honda, Kia, Lada, Lancia, Mercedes, Mitsubishi, Nissan, Opel, Peugeot, Polmo, Renault, Rover, Seat, Talbot, Vanden-Plas, Vauxhall, Volvo, Wartburg, Zastava

Dust Cap

Article No.	Article Description	QTY
3127 11	DUST CAP	25



Brake Nipples

• 12-part set = 60 pieces

Article No.	Article Description	QTY
9000 3126	ASSORTMENT BRAKE NIPPLES	1
9000R 3126	INTRAY BRAKE NIPPLES	1

Contents:

Art. No.	Article Description	Quantity
3126 1	BRAKE NIP.A M10X1 SW11X16,7MM	5
3126 2	BRAKE NIP.D M10X1 SW10X16,7MM	5
3126 3	BRA.NI.H 3/8X24UNF SW14X17,5MM	5
3126 4	BRA.NI.M M10X1,25 SW10X14,2MM	5
3126 5	BRA.NI.S 3/8X24UNF SW10X18,0MM	5
3126 6	BRA.NI.TX M10X1 SW10X18,0MM	5
3126 7	BRA.NI.B 5,0 M12X1 SW12X20,0MM	5
3126 8	BRA.NI.OAA M10X1 SW14X24,0MM	5
3126 9	BRA.NI.B M12X1 SW12X18,0MM	5
3126 10	BRA.NI.E M10X1 SW14X13,0MM	5
3126 11	BRA.NI.F 3/8X24UNF SW11X21,0MM	5
3126 12	BRA.NI.OBB M12X1 SW17X29,0MM	5



Bleeder Valves

• 17-part set = 130 pieces

Article No.	Article Description	QTY
9000 3127	ASSORTMENT BLEEDER VALVES	1
9000R 3127	INTRAY BLEEDER VALVES	1

Contents:

Art. No.	Article Description	Quantity
3127 1	BLEEDER VALVE M6X1 SW 7X38,0MM	5
3127 2	BLEED.VALVE M8X1,25 SW9X32,4MM	5
3127 3	BLEED.VALVE M10X1 SW10X34,0MM	5
3127 4	BLEED.VALVE M10X1 SW10X36,0MM	5
3127 5	BLEEDER VALVE M6X1 SW 7X29,0MM	5
3127 6	BLEED.VALVE M10X1 SW11X30,0MM	5
3127 7	BLEED.VALVE M7X1 SW7X26,2MM	5
3127 8	BLEED.VALVE M7X1 SW7X28,7MM	5
3127 9	BLEED.VALVE M7X1 SW7X38,3MM	5
3127 10	BLEED.VALVE M8X1 SW9X33,5MM	5
3127 11	DUST CAP	50
3127 12	BLEED.VALVE M8X1,25 SW9X41,5MM	5
3127 13	BLEED.VALVE M8X1,25 SW9X35,5MM	5
3127 14	BLEED.VALVE M7X1 SW 7X30,5MM	5
3127 15	BLEED.VALVE M7X1 SW 9X33,0MM	5
3127 16	BLEED.VALVE M8X1 SW 8X32,0MM	5
3127 17	BLEED.VALVE M8X1,25 SW8X24,5MM	5



Warning Contacts for Daimler-Benz Brake Pads

Article No.	Article Description	QTY
3120 2	WARNING CONTACT DB 2 90MM	z 50
3120 3	WARNING CONTACT DB 3 94MM	z 50
3120 4	WARNING CONTACT DB 4 150MM	z 50
3120 5	WARNING CONTACT DB 5 210MM	z 50
3120 6	WARNING CONTACT DB 6 185MM	z 50
3120 7	WARNING CONTACT DB 7 97MM	z 50
3120 8	WARNING CONTACT DB 8 120MM	z 50
3120 9	WARNING CONTACT DB 9 95MM	z 50
3120 10	WARNING CONTACT DB 10 95MM	z 50
3120 11	WARNING CONTACT DB 11 114MM	z 50

Technical Data		year of constr.	
Art. No. 3120 2 OE-Reference 126 540 2017	Suitable for		
	DB W 168 A 140-170 CDI	07.97 -	
	DB W 123 200-300 D, E incl. C, T-Model	05.97 -	
	DB W 201 190 1,8-2,6 E, D, Turbo-D	10.82 - 08.93	
	DB W 124 200-500 E, D, Turbo-D incl. C, T-Model	01.85 - 06.95	
	DB W 202 C 180-C 280 incl. C, T-Model	03.93 - 05.00	
	DB C 208 CLK 200-320 incl. convertible	06.97 -	
	DB W 210 200-430 E, D, CDI incl. T-Model	06.95 -	
	DB W 126 ASR 260-560 S, SE, SEL, SEC	09.79 - 02.91	
	DB W 140 280-600 S, SE, SEL, Turbo-D	02.91 - 10.98	
	DB W 140 Coupé 300-600 SEC	03.91 - 06.94	
	DB R 107 SL 280-500	05.71 - 08.89	
	DB R 170 SLK 200-230 compressor	09.96 - 03.00	
	DB W 460, 461, 463 230-350 G, GE, GD, TD	03.79 -	
VW T1(601) bus, box wagon, pallet 2,3-2,9 D	04.77 - 02.96		
Art. No. 3120 3 OE-Reference 140 540 1217	DB W 168 A 140-170 CDI	07.97 -	
	DB W 123 200-300 D, E incl. C, T-Model	05.97 -	
	DB W 124 200-300 E, D, Turbo-D incl. C, T-Model	01.85 - 06.93	
	DB W 201 190 2,5-16; 2,5 Evolution II; 2,6	09.86 - 08.93	
	DB C 208 CLK 200-430 incl. convertible	06.97 -	
	DB W 210 200-430 E, D, CDI inkl. T, AMG	06.95 -	
	DB W 126 ASR 260-560 S, SE, SEL, SEC	09.79 - 02.91	
	DB W 140 280-600 S, SE, SEL, Turbo-D	02.91 - 10.98	
	DB W 140 Coupé 420-600 SEC / CL	09.95 - 02.99	
	DB W 220 S 320, S 500	10.98 -	
	DB C 215 CL 600	03.99 -	
	DB C 107SLC 280-450	06.78 - 08.81	
	DB R 107 SL 280-500	05.71 - 08.89	
	DB R 129 SL 280-600 inkl. AMG	03.89 -	
DB W 460GE 230, 280, GD 240, 250, 300	03.79 - 12.92		
VW T1(601) bus, box wagon, pallet 2,3-2,9 D	04.77 - 02.96		
Art. No. 3120 4 OE-Reference 201 540 1317	DB W 201 190 1,8-2,6 E, D, Turbo-D	10.82 - 08.93	
	DB W 124 200-300 E, D, Turbo-D incl. C, T-Model	01.85 - 06.93	
	DB C 126 Coupé, 380-560 SEC	09.85 - 06.91	
Art.-Nr. 3120 5 OE-Referenz 901 540 0017	DB Sprinter bus, box wagon, pallet Sprinter 2t 214, 208-212 D, 4x4 Sprinter 3t 314, 308-312 D, 4x4	02.95 -	
	DB VITO bus, box wagon 108-114; 2,0; 2,3 D; 2,3 TD; 2,2 CDI	02.96 -	
	DB V-Class V 200-280 incl. TD, CDI VW LT II 28-46; 2,3-2,8 incl. SDI, TDI	10.96 - 05.96 -	
Art. No. 3120 6 OE-Reference 901 540 0317	DB Sprinter Sprinter 2t 214, 208-212 CDI, 4x4 Sprinter 3t 314, 308-312 CDI, 4x4 Sprinter 4t 414, 408-413 D/CDI, 4x4	01.05 -	
	Art. No. 3120 7 OE-Reference 220 540 0617 220 540 0717	DB W 203 C 200-270 CDI/T, C 180-320/T	05.00 -
		DB W 203 C 200 Compr. T	05.02 -
DB W 203 C 32 Compr. AMG		02.01 -	
DB W 211 E 200-400 CDI, E 200-500		07.02 -	
DB W 211 E 50 CDI AMG, E 55 AMG		02.03 -	
DB W 220 S 320-400 CDI, S 280-600		10.98	
DB W 220 S 500, 600 Pullm., 63 AMG		04.99 -	
Art. No. 3120 8 OE-Reference 211 540 0717	DB C 219 350, 500	10.94 -	
	DB W 211 E 200 CDI, E 200 CGI	07.02 -	
	DB W 211 200 Compr.	11.02 -	
	DB W 211 E 240-500/4-matic, E 220-400 CDI, E 500	03.02 -	
	DB W 211 E 200 NGT	03.04 -	
	DB W 211 E 200-500 T Combi	03.03 -	
Art. No. 3120 9 OE-Reference 211 540 1717	DB W 169 A 150-200, A 160-200 CDI	09.04 -	
	DB W 245 B 150-200, B 180-200 CDI, 200 Turbo	03.05 -	
	DB C209/A209 CLK 200 CGI/Com., CLK 240-500, 270 CDI, 55 AMG	06.02 -	
	DB C219 CLS 350-500	10.04 -	
	DB C 215 CL 500-CL 600	03.99 -	
	DB R 230 SL 350-600	03.06 -	
	DB 414 Vaneo 1.6, 1.7CDI, 1.9 DB W 203 S 203, CL 203, W 211, S 211, W 220, R 171	02.02 -	
Art. No. 3120 10 OE-Reference 220 540 1517	DB W 164 ML 280-320 CDI, ML 350, ML 500	07.05 -	
	DB W 251 R 320 CDI, R 350, R 500	01.06 -	
	DB W 220 S 350-500 4-matic	09.02 - 08.05	
Art. No. 3120 11 OE-Referenz 163 540 1517 163 540 1717	DB W 163 ML 270 CDI	09.00 -	
	DB W 163 ML 400 CDI	09.01 -	
	DB W 163 ML 430	09.00 -	
	DB W 163 ML 500	09.01 -	
	DB W 163 ML 55 AMG	09.00 -	



Balance Weight for Steel Rims Type 161

- Balance weight Hofmann Type 161, Made in Germany
- Material: Zinc with impact-resistant plastic coating

Application:

- Wide range of application due to geometry of weight body and spring

Article No.	Article Description	QTY
3600 161 5	BAL.WEIG.H 161 ST.RIM EH 5G 5*	100
3600 161 10	BAL.WEIG.H 161 ST.RIM EH10G 5*	100
3600 161 15	BAL.WEIG.H 161 ST.RIM EH15G 5*	100
3600 161 20	BAL.WEIG.H 161 ST.RIM EH20G 5*	100
3600 161 25	BAL.WEIG.H 161 ST.RIM EH25G 5*	100
3600 161 30	BAL.WEIG.H 161 ST.RIM EH30G 5*	100
3600 161 35	BAL.WEIG.H 161 ST.RIM EH35G 5*	50
3600 161 40	BAL.WEIG.H 161 ST.RIM EH40G 5*	50
3600 161 45	BAL.WEIG.H 161 ST.RIM EH45G 5*	50
3600 161 50	BAL.WEIG.H 161 ST.RIM EH50G 5*	50
3600 161 55	BAL.WEIG.H 161 ST.RIM EH55G 5*	50
3600 161 60	BAL.WEIG.H 161 ST.RIM EH60G 5*	50



Balance Weight for Steel Rims Type 160

- Balance weight Hofmann Type 160, Made in Germany
- Material: Zinc with impact-resistant plastic coating
- Mainly for use on thin steel rims with flange thickness 1.5 to 1.8 mm for reduction of vehicle weight

Application:

- E.g. Opel and Ford

Article No.	Article Description	QTY
3600 160 5	BAL.WEIG.H 160 ST.RIM EH 5G 5*	100
3600 160 10	BAL.WEIG.H 160 ST.RIM EH10G 5*	100
3600 160 15	BAL.WEIG.H 160 ST.RIM EH15G 5*	100
3600 160 20	BAL.WEIG.H 160 ST.RIM EH20G 5*	100
3600 160 25	BAL.WEIG.H 160 ST.RIM EH25G 5*	100
3600 160 30	BAL.WEIG.H 160 ST.RIM EH30G 5*	100
3600 160 35	BAL.WEIG.H 160 ST.RIM EH35G 5*	50
3600 160 40	BAL.WEIG.H 160 ST.RIM EH40G 5*	50
3600 160 45	BAL.WEIG.H 160 ST.RIM EH45G 5*	50
3600 160 50	BAL.WEIG.H 160 ST.RIM EH50G 5*	50
3600 160 55	BAL.WEIG.H 160 ST.RIM EH55G 5*	50
3600 160 60	BAL.WEIG.H 160 ST.RIM EH60G 5*	50



Balance Weight for Steel Rims Type 164

- Balance weight Hofmann Type 164, Made in Germany
- Material: Zinc with impact-resistant plastic coating

Application:

- For French vehicles and rims with heavy rim flange (e.g. vans)

Article No.	Article Description	QTY
3600 164 5	BAL.WEIG.H 164 FRE.VEH. 5G 5*	100
3600 164 10	BAL.WEIG.H 164 FRE.VEH. 10G 5*	100
3600 164 15	BAL.WEIG.H 164 FRE.VEH. 15G 5*	100
3600 164 20	BAL.WEIG.H 164 FRE.VEH. 20G 5*	100
3600 164 25	BAL.WEIG.H 164 FRE.VEH. 25G 5*	100
3600 164 30	BAL.WEIG.H 164 FRE.VEH. 30G 5*	100
3600 164 35	BAL.WEIG.H 164 FRE.VEH. 35G 5*	50
3600 164 40	BAL.WEIG.H 164 FRE.VEH. 40G 5*	50
3600 164 45	BAL.WEIG.H 164 FRE.VEH. 45G 5*	50
3600 164 50	BAL.WEIG.H 164 FRE.VEH. 50G 5*	50
3600 164 55	BAL.WEIG.H 164 FRE.VEH. 55G 5*	50
3600 164 60	BAL.WEIG.H 164 FRE.VEH. 60G 5*	50



Balance Weight for St/Alloy Rims Type 260

- Balance weight Hofmann Type 260, Made in Germany
- Material: Polypropylene Art. No. 3600 260 5, 3600 260 10
- Material: Zinc with impact-resistant plastic coating

Application:

- For VW-steel rims: Art. No. 3609 1 hold spring V3
- For Audi-steel rims: Art. No. 3609 6 hold spring F3
- For BMW-steel rims: Art. No. 3609 2 hold spring BS,
- For BMW-alloy rims: Art. No. 3609 3 hold spring BA
- Delivery of weights without hold springs, but must be ordered additionally to meet their purpose



Article No.	Article Description	QTY
3600 260 5	BAL.WEI.H 260 ST.RIMS SH 5G 5*	100
3600 260 10	BAL.WEI.H 260 ST.RIMS SH10G 5*	100
3600 260 15	BAL.WEI.H 260 ST.RIMS SH15G 5*	100
3600 260 20	BAL.WEI.H 260 ST.RIMS SH20G 5*	100
3600 260 25	BAL.WEI.H 260 ST.RIMS SH25G 5*	100
3600 260 30	BAL.WEI.H 260 ST.RIMS SH30G 5*	100
3600 260 35	BAL.WEI.H 260 ST.RIMS SH35G 5*	50
3600 260 40	BAL.WEI.H 260 ST.RIMS SH40G 5*	50
3600 260 45	BAL.WEI.H 260 ST.RIMS SH45G 5*	50
3600 260 50	BAL.WEI.H 260 ST.RIMS SH50G 5*	50
3600 260 55	BAL.WEI.H 260 ST.RIMS SH55G 5*	50
3600 260 60	BAL.WEI.H 260 ST.RIMS SH60G 5*	50

Balance Weight for St/Alloy Rims Type 261

- Balance weight Hofmann Type 261, Made in Germany
- Material: Polypropylene Art. No. 3600 261 5, 3600 261 10
- Material: Zinc with impact-resistant plastic coating

Application:

- For Mercedes-steel rims: Art. No. 3609 4 hold spring M1
- For Mercedes-alloy rims: Art. No. 3609 5 hold spring MA
- Delivery of weights without hold springs, but must be ordered additionally to meet their purpose



Article No.	Article Description	QTY
3600 261 5	BAL.WEIG.H261 DAI-CHR SH 5G 5*	100
3600 261 10	BAL.WEIG.H261 DAI-CHR SH10G 5*	100
3600 261 15	BAL.WEIG.H261 DAI-CHR SH15G 5*	100
3600 261 20	BAL.WEIG.H261 DAI-CHR SH20G 5*	100
3600 261 25	BAL.WEIG.H261 DAI-CHR SH25G 5*	100
3600 261 30	BAL.WEIG.H261 DAI-CHR SH30G 5*	100
3600 261 35	BAL.WEIG.H261 DAI-CHR SH35G 5*	50
3600 261 40	BAL.WEIG.H261 DAI-CHR SH40G 5*	50
3600 261 45	BAL.WEIG.H261 DAI-CHR SH45G 5*	50
3600 261 50	BAL.WEIG.H261 DAI-CHR SH50G 5*	50
3600 261 55	BAL.WEIG.H261 DAI-CHR SH55G 5*	50
3600 261 60	BAL.WEIG.H261 DAI-CHR SH60G 5*	50

Balance Weight for Alloy Rims Type 280

- Balance weight Hofmann Type 280, Made in Germany
- Material: Polypropylene Art. No. 3600 280 5, 3600 280 10
- Material: Zinc with impact-resistant plastic coating

Application:

- For alloy rims of all companies of the VW Group: Art. No. 3609 1 hold spring V3
- Delivery of weights without hold spring, but must be ordered additionally to meet their purpose



Article No.	Article Description	QTY
3600 280 5	BA.WE.H280 VW/AUDI/LM SH 5G 5*	100
3600 280 10	BA.WE.H280 VW/AUDI/LM SH10G 5*	100
3600 280 15	BA.WE.H280 VW/AUDI/LM SH15G 5*	100
3600 280 20	BA.WE.H280 VW/AUDI/LM SH20G 5*	100
3600 280 25	BA.WE.H280 VW/AUDI/LM SH25G 5*	100
3600 280 30	BA.WE.H280 VW/AUDI/LM SH30G 5*	100
3600 280 35	BA.WE.H280 VW/AUDI/LM SH35G 5*	50
3600 280 40	BA.WE.H280 VW/AUDI/LM SH40G 5*	50
3600 280 45	BA.WE.H280 VW/AUDI/LM SH45G 5*	50
3600 280 50	BA.WE.H280 VW/AUDI/LM SH50G 5*	50
3600 280 55	BA.WE.H280 VW/AUDI/LM SH55G 5*	50
3600 280 60	BA.WE.H280 VW/AUDI/LM SH60G 5*	50

Hold Springs for AGR 3600

- Made in Germany

Article No.	Article Description	VPE
3609 1	HOLD SPRING V3 WEIGHT260/2805*	100
3609 2	HOLD SPRING BS F.WEIGHT 260 5*	100
3609 3	HOLD SPRING BA F.WEIGHT 260 5*	100
3609 4	HOLD SPRING M1 F.WEIGHT 261 5*	100
3609 5	HOLD SPRING MA F.WEIGHT 261 5*	100
3609 6	HOLD SPRING F3 WEIGHT 260 5*	100



Balance Weight for Alloy Rims Type 660

- Balance weight Hofmann Type 660, Made in Germany
- Material: Zinc with impact-resistant plastic coating

Application:

- Universal weight suitable for many light-metal rims



Article No.	Article Description	QTY
3600 660 5	BA.W.H TYPE660 UNI LM EH 5G 5*	100
3600 660 10	BA.W.H TYPE660 UNI LM EH10G 5*	100
3600 660 15	BA.W.H TYPE660 UNI LM EH15G 5*	100
3600 660 20	BA.W.H TYPE660 UNI LM EH20G 5*	100
3600 660 25	BA.W.H TYPE660 UNI LM EH25G 5*	100
3600 660 30	BA.W.H TYPE660 UNI LM EH30G 5*	100
3600 660 35	BA.W.H TYPE660 UNI LM EH35G 5*	50
3600 660 40	BA.W.H TYPE660 UNI LM EH40G 5*	50
3600 660 45	BA.W.H TYPE660 UNI LM EH45G 5*	50
3600 660 50	BA.W.H TYPE660 UNI LM EH50G 5*	50
3600 660 55	BA.W.H TYPE660 UNI LM EH55G 5*	50
3600 660 60	BA.W.H TYPE660 UNI LM EH60G 5*	50



Balance Weight for Alloy Rims Type 661

- Balance weight Hofmann Type 661, Made in Germany
- Material: Zinc with impact-resistant plastic coating

Application:

- For Japanese light-metal rims



Article No.	Article Description	QTY
3600 661 5	BA.W.H 661JAP.LM-RIMS EH 5G 5*	100
3600 661 10	BA.W.H 661JAP.LM-RIMS EH10G 5*	100
3600 661 15	BA.W.H 661JAP.LM-RIMS EH15G 5*	100
3600 661 20	BA.W.H 661JAP.LM-RIMS EH20G 5*	100
3600 661 25	BA.W.H 661JAP.LM-RIMS EH25G 5*	100
3600 661 30	BA.W.H 661JAP.LM-RIMS EH30G 5*	100
3600 661 35	BA.W.H 661JAP.LM-RIMS EH35G 5*	50
3600 661 40	BA.W.H 661JAP.LM-RIMS EH40G 5*	50
3600 661 45	BA.W.H 661JAP.LM-RIMS EH45G 5*	50
3600 661 50	BA.W.H 661JAP.LM-RIMS EH50G 5*	50
3600 661 55	BA.W.H 661JAP.LM-RIMS EH55G 5*	50
3600 661 60	BA.W.H 661JAP.LM-RIMS EH60G 5*	50



Balance Weight for Alloy Rims Type 664

- Balance weight Hofmann Type 664, Made in Germany
- Material: Zinc with impact-resistant plastic coating

Application:

- For French vehicles e.g. Renault, Citroen and Peugeot



Article No.	Article Description	QTY
3600 664 5	BA.W.H 664 FRENC.LM-RIMS 5G 5*	100
3600 664 10	BA.W.H 664 FRENC.LM-RIMS10G 5*	100
3600 664 15	BA.W.H 664 FRENC.LM-RIMS15G 5*	100
3600 664 20	BA.W.H 664 FRENC.LM-RIMS20G 5*	100
3600 664 25	BA.W.H 664 FRENC.LM-RIMS25G 5*	100
3600 664 30	BA.W.H 664 FRENC.LM-RIMS30G 5*	100
3600 664 35	BA.W.H 664 FRENC.LM-RIMS35G 5*	50
3600 664 40	BA.W.H 664 FRENC.LM-RIMS40G 5*	50
3600 664 45	BA.W.H 664 FRENC.LM-RIMS45G 5*	50
3600 664 50	BA.W.H 664 FRENC.LM-RIMS50G 5*	50
3600 664 55	BA.W.H 664 FRENC.LM-RIMS55G 5*	50
3600 664 60	BA.W.H 664 FRENC.LM-RIMS60G 5*	50



Balance Weight for Alloy Rims Type 666

- Balance weight Hofmann Type 666, Made in Germany
- Material: Zinc with impact-resistant plastic coating
- Extra short hold spring for rims with low sealing face
- Hold spring with beading to increase the holding force of the weights

Application:

- For Ford and Volvo



Article No.	Article Description	QTY
3600 666 5	BA.W.H 666UNI LM SH.SPR. 5G 5*	100
3600 666 10	BA.W.H 666UNI LM SH.SPR.10G 5*	100
3600 666 15	BA.W.H 666UNI LM SH.SPR.15G 5*	100
3600 666 20	BA.W.H 666UNI LM SH.SPR.20G 5*	100
3600 666 25	BA.W.H 666UNI LM SH.SPR.25G 5*	100
3600 666 30	BA.W.H 666UNI LM SH.SPR.30G 5*	100
3600 666 35	BA.W.H 666UNI LM SH.SPR.35G 5*	50
3600 666 40	BA.W.H 666UNI LM SH.SPR.40G 5*	50
3600 666 45	BA.W.H 666UNI LM SH.SPR.45G 5*	50
3600 666 50	BA.W.H 666UNI LM SH.SPR.50G 5*	50
3600 666 55	BA.W.H 666UNI LM SH.SPR.55G 5*	50
3600 666 60	BA.W.H 666UNI LM SH.SPR.60G 5*	50



Adhesive Weights Type 360

- Balance weight Hofmann Type 360, Made in Germany
- Material: Zinc with impact-resistant plastic coating
- Material thickness including adhesive tape: 5.8mm, width 15mm

Application:

- For Audi, Daimler Chrysler and Land Rover



Article No.	Article Description	QTY
3600 360 5	ADHES.WEIGHT H TYPE 360 5G 5*	100
3600 360 10	ADHES.WEIGHT H TYPE 360 10G 5*	100
3600 360 15	ADHES.WEIGHT H TYPE 360 15G 5*	100
3600 360 20	ADHES.WEIGHT H TYPE 360 20G 5*	100
3600 360 25	ADHES.WEIGHT H TYPE 360 25G 5*	100
3600 360 30	ADHES.WEIGHT H TYPE 360 30G 5*	100
3600 360 35	ADHES.WEIGHT H TYPE 360 35G 5*	50
3600 360 40	ADHES.WEIGHT H TYPE 360 40G 5*	50
3600 360 45	ADHES.WEIGHT H TYPE 360 45G 5*	50
3600 360 50	ADHES.WEIGHT H TYPE 360 50G 5*	50
3600 360 55	ADHES.WEIGHT H TYPE 360 55G 5*	50
3600 360 60	ADHES.WEIGHT H TYPE 360 60G 5*	50



Adhesive Weights Type 361

- Balance weight Hofmann Type 361, Made in Germany
- Material: Zinc with impact-resistant plastic coating
- Material thickness including adhesive tape: 3.8mm, width 19mm
- For mountings with little free spaces

Application:

- For Ford, Opel and VW



Article No.	Article Description	QTY
3600 361 5	ADH.WEIG.H TYPE361 FLAT 5G 5*	100
3600 361 10	ADH.WEIG.H TYPE361 FLAT 10G 5*	100
3600 361 15	ADH.WEIG.H TYPE361 FLAT 15G 5*	100
3600 361 20	ADH.WEIG.H TYPE361 FLAT 20G 5*	100
3600 361 25	ADH.WEIG.H TYPE361 FLAT 25G 5*	100
3600 361 30	ADH.WEIG.H TYPE361 FLAT 30G 5*	100
3600 361 35	ADH.WEIG.H TYPE361 FLAT 35G 5*	50
3600 361 40	ADH.WEIG.H TYPE361 FLAT 40G 5*	50
3600 361 45	ADH.WEIG.H TYPE361 FLAT 45G 5*	50
3600 361 50	ADH.WEIG.H TYPE361 FLAT 50G 5*	50
3600 361 55	ADH.WEIG.H TYPE361 FLAT 55G 5*	50
3600 361 60	ADH.WEIG.H TYPE361 FLAT 60G 5*	50



Balance Weight for Steel Rims Form 80

- Universal weight Franken Form 80, Made in Germany
- Material: Steel Art. No. 3680 5 spring weight
- Material: Zinc with impact-resistant plastic coating

Application:

- Universal weight for many steel rims



Article No.	Article Description	QTY
3680 5	B.W.F UNI ST-R.FO.80 SPR.5G 5*	100
3680 5 1	B.W.F UNI ST-R.FORM 80 5G 5*	100
3680 10	B.W.F UNI ST-R.FORM 80 10G 5*	100
3680 15	B.W.F UNI ST-R.FORM 80 15G 5*	100
3680 20	B.W.F UNI ST-R.FORM 80 20G 5*	100
3680 25	B.W.F UNI ST-R.FORM 80 25G 5*	100
3680 30	B.W.F UNI ST-R.FORM 80 30G 5*	100
3680 35	B.W.F UNI ST-R.FORM 80 35G 5*	50
3680 40	B.W.F UNI ST-R.FORM 80 40G 5*	50
3680 45	B.W.F UNI ST-R.FORM 80 45G 5*	50
3680 50	B.W.F UNI ST-R.FORM 80 50G 5*	50
3680 55	B.W.F UNI ST-R.FORM 80 55G 5*	50
3680 60	B.W.F UNI ST-R.FORM 80 60G 5*	50



Balance Weight for Alloy Rims Form 62

- Universal weight Franken Form 62, Made in Germany
- Material: Steel Art. No. 3662 5 spring weight
- Material: Zinc with impact-resistant plastic coating

Application:

- Universal weight for many alloy rims



Article No.	Article Description	QTY
3662 5	B.W.F UNI LM-R.FO.62 SPR.5G 5*	100
3662 5 1	B.W.F UNI LM-R.FORM 62 5G 5*	100
3662 10	B.W.F UNI LM-R.FORM 62 10G 5*	100
3662 15	B.W.F UNI LM-R.FORM 62 15G 5*	100
3662 20	B.W.F UNI LM-R.FORM 62 20G 5*	100
3662 25	B.W.F UNI LM-R.FORM 62 25G 5*	100
3662 30	B.W.F UNI LM-R.FORM 62 30G 5*	100
3662 35	B.W.F UNI LM-R.FORM 62 35G 5*	50
3662 40	B.W.F UNI LM-R.FORM 62 40G 5*	50
3662 45	B.W.F UNI LM-R.FORM 62 45G 5*	50
3662 50	B.W.F UNI LM-R.FORM 62 50G 5*	50
3662 55	B.W.F UNI LM-R.FORM 62 55G 5*	50
3662 60	B.W.F UNI LM-R.FORM 62 60G 5*	50



Adhesive Weights Form K90



- Balance weight Franken Form K90, Made in Germany
- Material: Zinc with impact-resistant plastic coating
- Width: 15 mm
- Height: 5 mm

Application:

- For BMW, Mini and Rolls Royce

Article No.	Article Description	QTY
3690 15	ADHES.WEIGHT F.FORM K90 15G 5*	100
3690 20	ADHES.WEIGHT F.FORM K90 20G 5*	100
3690 25	ADHES.WEIGHT F.FORM K90 25G 5*	100
3690 30	ADHES.WEIGHT F.FORM K90 30G 5*	100
3690 35	ADHES.WEIGHT F.FORM K90 35G 5*	50
3690 40	ADHES.WEIGHT F.FORM K90 40G 5*	50
3690 45	ADHES.WEIGHT F.FORM K90 45G 5*	50
3690 50	ADHES.WEIGHT F.FORM K90 50G 5*	50
3690 55	ADHES.WEIGHT F.FORM K90 55G 5*	50
3690 60	ADHES.WEIGHT F.FORM K90 60G 5*	50



Adhesive Weights Form K91



- Balance weight Franken Form K91, Made in Germany
- Material: Zinc with impact-resistant plastic coating

5 g and 10 g:

- Width: 15 mm
- Height: 3 mm

15 g to 60 g:

- Width: 19 mm
- Height: 3 mm

Article No.	Article Description	QTY
3691 5	ADHES.WEIGHT F.FORM K91 5G 5*	100
3691 10	ADHES.WEIGHT F.FORM K91 10G 5*	100
3691 15	ADHES.WEIGHT F.FORM K91 15G 5*	100
3691 20	ADHES.WEIGHT F.FORM K91 20G 5*	100
3691 25	ADHES.WEIGHT F.FORM K91 25G 5*	100
3691 30	ADHES.WEIGHT F.FORM K91 30G 5*	100
3691 35	ADHES.WEIGHT F.FORM K91 35G 5*	50
3691 40	ADHES.WEIGHT F.FORM K91 40G 5*	50
3691 45	ADHES.WEIGHT F.FORM K91 45G 5*	50
3691 50	ADHES.WEIGHT F.FORM K91 50G 5*	50
3691 55	ADHES.WEIGHT F.FORM K91 55G 5*	50
3691 60	ADHES.WEIGHT F.FORM K91 60G 5*	50



Balance Weight for St/Alloy Rims Form 75



- Balance weight Franken Form 75, Made in Germany
- Material: Polypropylene Art. No. 3675 5, 3675 10
- Material: Zinc with impact-resistant plastic coating

Application:

- For Daimler Steel and alloy rims
- For steel rims: Art. No. 3699 75 2 spring Form 75-2
- For alloy rims: Art. No. 3699 75 1 spring Form 75-1
- Delivery of weights without hold springs

Article No.	Article Description	QTY
3675 5	ADH.W.F DAIML.FORM75 SH 5G 5*	100
3675 10	ADH.W.F DAIML.FORM75 SH 10G 5*	100
3675 15	ADH.W.F DAIML.FORM75 SH 15G 5*	100
3675 20	ADH.W.F DAIML.FORM75 SH 20G 5*	100
3675 25	ADH.W.F DAIML.FORM75 SH 25G 5*	100
3675 30	ADH.W.F DAIML.FORM75 SH 30G 5*	100
3675 35	ADH.W.F DAIML.FORM75 SH 35G 5*	50
3675 40	ADH.W.F DAIML.FORM75 SH 40G 5*	50
3675 45	ADH.W.F DAIML.FORM75 SH 45G 5*	50
3675 50	ADH.W.F DAIML.FORM75 SH 50G 5*	50
3675 55	ADH.W.F DAIML.FORM75 SH 55G 5*	50
3675 60	ADH.W.F DAIML.FORM75 SH 60G 5*	50



Balance Weight for St/Alloy Rims Form 74

- Balance weight Franken Form 74, Made in Germany
- Material: Polypropylene Art. No. 3674 5, 3674 10
- Material: Zinc with impact-resistant plastic coating

Application:

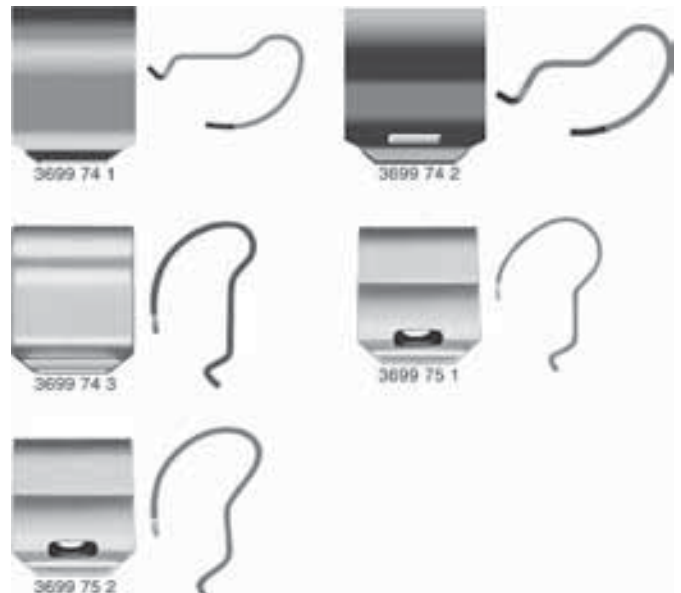
- For BMW-alloy rims: Art. No. 3699 74 1 spring Form 74-1
- For BMW-steel rims: Art. No. 3699 74 2 spring Form 74-2
- For VW-steel and alloy rims: Art. No. 3699 74 3 spring Form 74-3
- Delivery of weights without hold springs



Article No.	Article Description	QTY
3674 5	B.W.F.BMW/VW FORM 74 SH 5G 5*	100
3674 10	B.W.F.BMW/VW FORM 74 SH 10G 5*	100
3674 15	B.W.F.BMW/VW FORM 74 SH 15G 5*	100
3674 20	B.W.F.BMW/VW FORM 74 SH 20G 5*	100
3674 25	B.W.F.BMW/VW FORM 74 SH 25G 5*	100
3674 30	B.W.F.BMW/VW FORM 74 SH 30G 5*	100
3674 35	B.W.F.BMW/VW FORM 74 SH 35G 5*	50
3674 40	B.W.F.BMW/VW FORM 74 SH 40G 5*	50
3674 45	B.W.F.BMW/VW FORM 74 SH 45G 5*	50
3674 50	B.W.F.BMW/VW FORM 74 SH 50G 5*	50
3674 55	B.W.F.BMW/VW FORM 74 SH 55G 5*	50
3674 60	B.W.F.BMW/VW FORM 74 SH 60G 5*	50

Hold Springs for AGR 3674/3675

- Made in Germany
- Material: coated steel



Article No.	Article Description	QTY
3699 74 1	SPR.F.ALLOY WHEEL BMW 74-1 5*	100
3699 74 2	SPR.FOR ST.WHEEL BMW 74-2 5*	100
3699 74 3	SPR.FOR ST/ALLOY WH.VW 74-3 5*	100
3699 75 1	SPRING FOR ALLOY WH.DC 75-1 5*	100
3699 75 2	SPRING FOR STEEL WH.DC 75-2 5*	100

Balance Weight for Alloy Rims Type 691

- Balance weight Hofmann Type 691, Made in Germany
- Material: Zinc with impact-resistant plastic coating
- Weights are only available in ounce increments

Application:

- For Chrysler alloy rims



Article No.	Article Description	QTY
3600 691 025	BAL.W.H 691 CHRYS. 0.25 OZ 5*	25
3600 691 050	BAL.W.H 691 CHRYS. 0.50 OZ 5*	25
3600 691 075	BAL.W.H 691 CHRYS. 0.75 OZ 5*	25
3600 691 1	BAL.W.H 691 CHRYS. 1.00 OZ 5*	25
3600 691 125	BAL.W.H 691 CHRYS. 1.25 OZ 5*	25
3600 691 150	BAL.W.H 691 CHRYS. 1.50 OZ 5*	25
3600 691 175	BAL.W.H 691 CHRYS. 1.75 OZ 5*	25
3600 691 2	BAL.W.H 691 CHRYS. 2.00 OZ 5*	25
3600 691 225	BAL.W.H 691 CHRYS. 2.25 OZ 5*	25
3600 691 250	BAL.W.H 691 CHRYS. 2.50 OZ 5*	25
3600 691 275	BAL.W.H 691 CHRYS. 2.75 OZ 5*	25
3600 691 3	BAL.W.H 691 CHRYS. 3.00 OZ 5*	25

Adhesive Weight for Cars, 60 g

- Made in Germany
- Material: Zinc powder coated
- 12 x 5g segments
- Easy to cut using scissors or knife
- No unprotected cutting edges
- Flexible and easy adaption to the rims
- Dimensions incl. adhesive tape L x W x H: 140 x 19.5 x 4.0 mm



Article No.	Article Description	QTY
3623 60	ADH.WEIGHTS<12X5G>60G ZN 4.0MM	100

Adhesive Weight for Cars, Extra Flat, 30 g

- Made in Germany
- Material: Zinc powder coated
- 12 x 2.5g segments
- Especially suitable for inside balancing due to a low height of only 2.5 mm incl. adhesive tape
- Easy to cut using scissors or knife
- No unprotected cutting edges
- Flexible and easy adaption to the rims
- Dimensions incl. adhesive tape L x W x H: 140 x 19.5 x 2.5 mm



Article No.	Article Description	QTY
3623 30	ADH.WEIG.<12X2,5G>30G ZN 2.5MM	100

Adhesive Weight for Cars Form 92, 45 g

- Balance weight Franken Form 92, Made in Germany
- Material: Zinc powder coated
- 3 x 5g segments and 3 x 10g segments
- For cutting via reduced centre bar
- Dimensions incl. adhesive tape L x W x H: 105 x 15.0 x 5.5 mm



Article No.	Article Description	QTY
3623 45	ADH.WEIG.<3X10/5G>45G ZN 5.5MM	100

Adhesive Weight for Cars Form 93 Flat, 45 g

- Balance weight Franken Form 93, Made in Germany
- Material: Zinc powder coated
- 3 x 5g segments and 3 x 10g segments
- For cutting via reduced centre bar
- Dimensions incl. adhesive tape L x W x H: 121 x 19.0 x 3.8 mm



Article No.	Article Description	QTY
3623 45 1	ADH.WEIG.<3X10/5G>45G ZN 3.8MM	100

Adhesive Weight Motorcycle, Lead, Form K6, 40 g

- Balance weight Franken Form K6, Made in Germany
- 8 x 5g segments
- With indents to cut and adapt to the rim radius, very slim
- Dimension incl. adhesive tape L x W x H: 108.0 x 10.0 x 4.7 mm

Art. No. 3524 40:

- Material: lead chromated

Art. No. 3524 40 1:

- Material: lead plain



Article No.	Article Description	QTY
3524 40	ADH.WEIG.K6 PB<8X5G>40G CHROME	50
3524 40 1	ADH.WEIG.K6 PB<8X5G>40G PLAIN	50

Adhesive Weight, Extra Flat, Black, 60 g

- 12 x 5g segments
- Material: Steel with impact-resistant black plastic coating
- Easy to cut using scissors or knife
- No unprotected cutting edges
- Flexible and can be adapted easily to rim radius
- Dimension incl. adhesive tape L x W x H: 150.0 x 19.0 x 4.0 mm



Article No.	Article Description	QTY
3623 60 1	ADH.WEIG.BLACK<12X5G>60G ST4.0	100

Adhesive Weights on Rollers

- Material: Zinc with impact-resistant grey plastic coating
- Weight: 5 kg roll
- 1000 pieces of endless weights in 5g segments
- The scale which displays 0 to 70 on the front side of the carton makes the selection of the required gramme amount easier



Article No.	Article Description	QTY
3623 5	RO(5KG)ADH.WEIG.ZN <1000X5G>5*	1

Adhesive Weights on Rollers **ECO**

- Material: Steel with impact-resistant grey plastic coating
- Weight: 5 kg roll
- 1000 pieces of endless weights in 5g segments
- The scale which displays 0 to 70 on the front side of the carton makes the selection of required gramme amount easier



Article No.	Article Description	QTY
3623 5 1	RO(5KG)ADH.WEIG.ST<1000X5G>ECO	1

Roll Holder for Adhesive Weights

- Made of sheet steel for wall and table mounting



Article No.	Article Description	QTY
3623 1	ROLL HOLD.F.ADH.WEIGHT ROLLS	1

Universal Balance Weights for Steel Rims ECO

- Made in Germany
- Material: Steel Art. No. 3680N 5 spring weight
- Material: Zinc powder coated

Application:

- Universal weight for many steel rims



Article No.	Article Description	QTY
3680N 5	BAL.WEIGHT.UNI ST.RIMS ECO 5G	100
3680N 10	BAL.WEIGHT.UNI ST.RIMS ECO 10G	100
3680N 15	BAL.WEIGHT.UNI ST.RIMS ECO 15G	100
3680N 20	BAL.WEIGHT.UNI ST.RIMS ECO 20G	100
3680N 25	BAL.WEIGHT.UNI ST.RIMS ECO 25G	100
3680N 30	BAL.WEIGHT.UNI ST.RIMS ECO 30G	100
3680N 35	BAL.WEIGHT.UNI ST.RIMS ECO 35G	50
3680N 40	BAL.WEIGHT.UNI ST.RIMS ECO 40G	50
3680N 45	BAL.WEIGHT.UNI ST.RIMS ECO 45G	50
3680N 50	BAL.WEIGHT.UNI ST.RIMS ECO 50G	50
3680N 55	BAL.WEIGHT.UNI ST.RIMS ECO 55G	50
3680N 60	BAL.WEIGHT.UNI ST.RIMS ECO 60G	50

Universal Balance Weights for Aluminium Rims ECO

- Made in Germany
- Material: Steel Art. No. 3662N 5 spring weight
- Material: Zinc powder coated

Application:

- Universal weight for many aluminium rims



Article No.	Article Description	QTY
3662N 5	BAL.WEIGHT UNI LM-RIMS ECO 5G	100
3662N 10	BAL.WEIGHT UNI LM-RIMS ECO 10G	100
3662N 15	BAL.WEIGHT UNI LM-RIMS ECO 15G	100
3662N 20	BAL.WEIGHT UNI LM-RIMS ECO 20G	100
3662N 25	BAL.WEIGHT UNI LM-RIMS ECO 25G	100
3662N 30	BAL.WEIGHT UNI LM-RIMS ECO 30G	100
3662N 35	BAL.WEIGHT UNI LM-RIMS ECO 35G	50
3662N 40	BAL.WEIGHT UNI LM-RIMS ECO 40G	50
3662N 45	BAL.WEIGHT UNI LM-RIMS ECO 45G	50
3662N 50	BAL.WEIGHT UNI LM-RIMS ECO 50G	50
3662N 55	BAL.WEIGHT UNI LM-RIMS ECO 55G	50
3662N 60	BAL.WEIGHT UNI LM-RIMS ECO 60G	50

Adhesive Weights Zinc, Flat, 45 g ECO

- Made in Germany
- Material: Zinc powder coated
- 3x 5g segments and 3x 10g segments
- For cutting via reduced centre bar
- Dimension including adhesive tape LxWxH: 131.0 x 19.5 x 3.8 mm

Article No.	Article Description	QTY
3623N 45 1	ADH.WEIGHT ZN 3.8MM ECO 45G	100



Adhesive Weights Steel 60 g ECO

- Made in Germany
- 12x 5g segments
- Easy to cut using scissors or knife
- Flexible and easy to fit to rim radius
- No unprotected cutting edges
- Dimension including adhesive tape LxWxH: 131.0 x 19.0 x 4.0 mm

Art. No. 3623N 60:

- Material: Galvanized steel

Art. No. 3623N 60 1:

- Material: Steel powder coated

Article No.	Article Description	QTY
3623N 60	ADH.WEIGHT<12X5G>ST.ZN ECO 60G	100
3623N 60 1	AD.WEIG.<12X5G>ST.LACQ.ECO 60G	100



Valves for Cars, Rubber XXXXXXXXXX*

- Rubber-covered valves for tubeless tyres
- Up to 4.5 bar at 20°C
- Made in Germany



Article No.	Article Description	QTY
3570 412	VALVES RUBBER TR-412 5*	100
3570 413	VALVES RUBBER TR-413 5*	100
3570 414	VALVES RUBBER TR-414 5*	100
3570 414 1	VALVES RUBBER TR-414 LONG 5*	100
3570 418	VALVES RUBBER TR-418 5*	100
3570 415	VALVES RUBBER TR-415 5*	100

Technical Data		
Art. No.	For rim hole mm	Length mm
3570412	11.3	32
3570413	11.3	43
3570414	11.3	49
35704141	11.3	57
3570418	11.3	61.5
3570415	16.0	43

Valves for Cars, Rubber **ECO**

- Rubber-covered valves for tubeless tyres
- Up to 4,5 bar at 20°C
- TÜV-tested



Article No.	Article Description	QTY
3570N 413	VALVES RUBBER TR-413 ECO	100
3570N 414	VALVES RUBBER TR-414 ECO	100
3570N 414 1	VALVES RUBBER TR-414 LONG ECO	100
3570N 418	VALVES RUBBER TR-418 ECO	100

Technical Data		
Art. No.	For rim hole mm	Length mm
3570N 413	11.3	43
3570N 414	11.3	49
3570N 414 1	11.3	57
3570N 418	11.3	61.5

Valves for Cars, Unmounted, Rubber **ECO**

- Rubber-covered valves for tubeless tyres
- Up to 4.5 bar at +20°C
- TÜV-tested



Article No.	Article Description	QTY
3570N 1 413	VALVES RUBBER TR-413 LOSE ECO	100
3570N 1 414	VALVES RUBBER TR-414 LOSE ECO	100
3570N 1 418	VALVES RUBBER TR-418 LOSE ECO	100

Technical Data		
Art. No.	For rim hole mm	Length mm
3570N 1 413	11.3	43
3570N 1 414	11.3	49
3570N 1 418	11.3	61.5

Valves for Cars, Chrome-Plated

- For tubeless tyres
- With high-gloss chrome finish metal valve neck and valve cap
- Up to 4.5 bar at 20°C



Article No.	Article Description	QTY
3572 413	VALVES RUB/MET NECK VC TR 413	g 100
3572 414	VALVES RUB/MET NECK VC TR 414	g 100

Technical Data

Art. No.	For rim hole mm	Length mm
3572 413	11.3	43
3572 414	11.3	49

Valves for Cars, Metal

- Metal valves for tubeless tyres for passenger cars and transporters
- Rounded valve foot prevents tyre damage during assembly
- Valve foot with tool slit for trouble-free assembly and disassembly
- Up to max. 10 bar at +20°C



Article No.	Article Description	QTY
3571 1	METAL VALVE SW 14 45MM	25
3571 2	METAL VALVE SW 11 45MM	25

Technical Data

Art. No.	For rim hole mm	Length SW mm	SW mm
3571 1	11.3	45	14
3571 2	11.3	45	11

Car Valves, Aluminium, Black

- Lower weight as the valve is made of aluminium
- Black anodized which avoids spalling of the colour
- Aluminium valve cap with sealing
- Metal valves for tubeless tyres of cars and transporters
- Rounded valve base prevents tyre damages when mounting
- Plastic captive disc protects the wheel rim
- Compression stress up to 14 bar



Article No.	Article Description	QTY
3571 8	VALVE ALU BLACK ANODIZED 42MM	20

Technical Data			
Art. No.	For hole mm	Length mm	SW mm
3571 8	11.3	42	11

Transporter Valves

- Metallic valves for tubeless tyres for vehicles and transporters
- Specially designed for transporter rims
- Rounded valve foot prevents tyre damage during assembly
- Valve foot with tool slit for trouble-free assembly and disassembly
- New sealing concept for increased safety and longer lifetime
- High temperature sealing
- With captive plastic disc for protecting the rim
- Valve cap must not be removed for assembly
- Up to max. 10 bar at +20°C

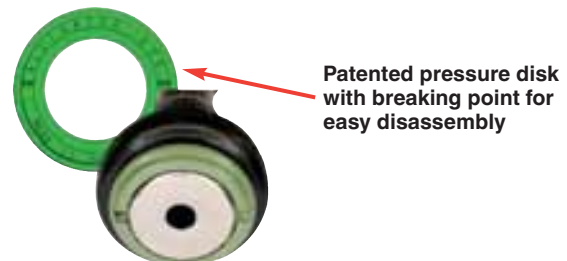


Article No.	Article Description	QTY
3571 3	METAL VALVE SW 12 41MM	20
3571 4	METAL VALVE SW 12 45MM	20

Technical Data			
Art. No.	For hole mm	Length mm	SW mm
35713	11.3	41	12
35714	11.3	45	12

CVV Transporter Valves

- For tubeless tyres, specially for transporters and truck campers
- The patented CVV valve construction combines the strength of a metal valves together with the easy-to-use Snap-In rubber valve
- An optimized contour and the highly flexible sealing lip provide an optimum sealing for the rim
- The patented pressure disk keeps the valve safe and protects against high pressure
- For disassembly cut the pressure disk at the breaking point using pliers or a screwdriver and pull out the valve
- Pressure resistance up to 7 bar
- Temperature range from -40°C to +130°C



Article No.	Article Description	QTY
3571 5	CVV TRANSPORTER VALVE 40MM	w 100
3571 6	CVV TRANSPORTER VALVE 47MM	w 100
3571 7	CVV TRANSPORTER VALVE 60MM	w 100

Technical Data		
Art. No.	For hole mm	Length mm
3571 5	11.3	40
3571 6	11.3	47
3571 7	11.3	60

Valve Core Housings

Art. No. 3573 3:

- Valve core housing when using Truck Quick Balance, balance granulate

Article No.	Article Description	QTY
3573 1	TYRE VALVE INSERT SHORT	100
3573 2	TYRE VALVE INSERT LONG	100
3573 3	TYRE VALVE INS.W.FILTER TYPE 3	100



Valve Caps

Article No.	Article Description	QTY
3574 2	VALVE MET.WITH VALVE L. TYPE 2	100
3574 4	VALVE CAP METAL TYPE 4	100
3574 5	TYRE VALVE CAP PLASTIC TYPE 5	100
3574 6	TYRE VALVE CAP PLASTIC TYPE 6	100



Valve Tools

Article No.	Article Description	QTY
3575 1	TYRE VALVE INSERT TOOL TYPE 1	1
3575 2	TYRE VALVE INSERT TOOL TYPE 2	1
3575 3	TYRE VALVE INSERT TOOL TYPE 3	1
3575 4	VALVE LEVER PLASTIC TYPE 4	1



Valve Insert Torque Turner

- Maintenance-free, does not require recalibration
- For screwing into short or long valve inserts
- Prevents excessive turning or compression of the rubber seal
- The handle jumps audibly and noticeably when the torque is reached
- Torque limit: approx. 0.25 Nm

Article No.	Article Description	QTY
3575 5	VALVE INSERT TORQUE TURNER	1



Balance Weight Pliers

- With cutting function, wheel cap lever and T-head

Article No.	Article Description	QTY
3530 1	WHEEL WEIGHT PLIERS	1



Adhesive Weight Remover

- Save removal of adhesive weights from alloy rims

Article No.	Article Description	QTY
3530 5	ADH.WEIGHT REMOVER WEDGE	1



Tyre Pattern - Depth Gauge

- Made of brass
- With vernier gauge 1/10 mm
- Effective Range 0-30 mm

Article No.	Article Description	QTY
3530 30	TYRE PATTERN-DEPTH GAUGE 30MM	1



Thread Repair and Cleaning Set

- Repair kit for cleaning and re-cutting of wheel hub, stud bolts, wheel nuts and screws

Article No.	Article Description	QTY
5569 90	THREAD REPAIR AND CLEANING SET	1

Set includes:

- 1x Art. No. 5537 12 125 1 Threaded drill M12 x 1.25
- 1x Art. No. 5537 12 15 1 Threaded drill M12 x 1.5
- 1x Art. No. 5537 14 15 1 Threaded drill M14 x 1.5
- 1x Art. No. 5553 12 125 1 Die nut M12 x 1.25
- 1x Art. No. 5553 12 15 1 Die nut M12 x 1.5
- 1x Art. No. 5553 14 15 1 Die nut M14 x 1.5
- 1x Art. No. 4965 12 14 Thread gauge metric
- 1x Art. No. 5560 2 Tap wrench
- 1x Art. No. 5503 65 Core drill HSS-TIN 6.5 mm
- 1x Art. No. 5503 75 Core drill HSS-TIN 7.5 mm
- Product group 4960 Screwdriver M12/M14



Wheel Lock Opener Set for Tyre Protection

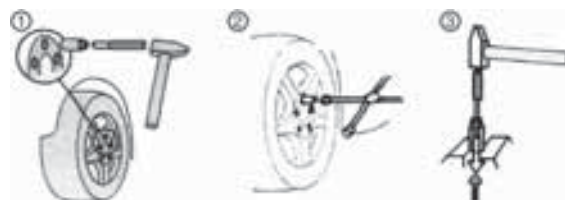
- 10-piece
- Opens almost all wheel buckles without damage
- Conical fit enables max. force
- In plastic case

Instructions for use:

- Remove grease from the sleeves before use and roughen with abrasive paper! Only use the tool at ambient temperatures of more than 20° C. If necessary, warm up the sleeves before use.
- 1. Fit the fitting sleeve over the tyre protector. Use a heavy hammer to hammer the sleeve straight onto the tyre protector. If the screws are deep-seated, use the impact mandrel.
- 2. Screw out the tyre protector with the cross spanner.
- 3. Remove the tyre protector from the sleeve using the impact mandrel and put it in the vice (see picture). The sleeves are conical inside and are able to adapt to all intermediate sizes (Recommendation: abrade the sleeves in 2 mm-steps).

Note:

- If the tyre protectors are tightly jammed before application of the sleeves, compress the tyre protectors!
- To do this, use the impact mandrel and the 2000 g hammer.



Article No.	Article Description	QTY
3530 10	WHEEL LOCK OPENER SET II	1

Contents:

- 2x mandrels
- 6x conical demounting sleeves

Wheel Lock Opener Set - Accessories

Article No.	Article Description	QTY
3530 10 18	DEMONTAGEHÜLSE 18MM 80.01.18AN	1
3530 10 19	DEMONTAGEHÜLSE 19MM 80.02.19AN	1
3530 10 20	DEMONTAGEHÜLSE 20MM 80.03.20AN	1
3530 10 21	DEMONTAGEHÜLSE 21MM 80.04.21AN	1
3530 10 22	DEMONTAGEHÜLSE 22MM 80.05.22AN	1
3530 10 23	DEMONTAGEHÜLSE 23MM 80.06.23AN	1
3530 10 24	DEMONTAGEHÜLSE 24MM 80.07.24AN	1
3530 10 25	DEMONTAGEHÜLSE 25MM 80.08.25AN	1



Hat Cap Pulling-Off Tool

- For covering caps of wheel screws and nuts with wrench size 17
- Practical tool for demounting and mounting of hat caps which have to be removed and attached during the tyre change
- Fast demounting of all hat caps of a vehicle within one minute
- No loss of plastic caps
- With plastic stop protection for alloy rim protection
- Slim design for specific narrow rim drillings
- Special grip for slotted caps (Opel, GM) and caps with collar (VAG)
- Sealing cap for comfortable mounting also for deep located caps
- Application e.g. Audi, Seat, Skoda, VW, Opel etc.
- Length: 500 mm



Article No.	Article Description	QTY
3530 500	HAT CAP PULLING-OFF TOOL SW17	1

Tyre Covers

- For clean transport of the tyres
- Optimum customer service after the tyre change
- Polyethylene, white
- Delivery: rolls of 100 pieces

Art. No. 5419 85

- Dimension LxWxH: 860 x 650 x 210 mm

Art. No. 5419 86

- Dimension LxWxH: 1000 x 700 260 mm

Art. No. 5419 87

- Dimension LxWxH: 1100 x 700 x 400 mm



Article No.	Article Description	QTY
5419 85	RO(100)TYRE COVER	1
5419 86	RO(100)WIDE TYRE BAG	1
5419 87	RO(100)JUMBO TYRE COVER	1

Tyre Bolt Bag

- For the storage of unused tyre bolts
- Optimum customer service after the tyre change
- Size: 200 x 150 mm



Article No.	Article Description	QTY
5419 89	CARTON(50) TYRE BOLT BAGS	1

Tyre Marker

- For marking tyres concerning vehicle details, tyre allocation, tyre damages etc.
- Waterproof rubber marker, also usable for many application fields
- Suitable for dry and wet tyres, metals and alloys, plastics, acrylic glass, wood, cork, glass, porcelain, ceramics, earthenware, terra cotta, concrete, masonry, brick, stone cartons as well as further smooth and rough surfaces

Art. No. 3595 10 and 3595 11:

- Ø x L: 10 x 90 mm

Art. No. 3595 30 and 3595 31:

- Ø x L: 18 x 90 mm



Article No.	Article Description	QTY
3595 1	UNIV.TYRE MARKER HOLDER 10MM	1 z
3595 10	UNIV.TYRE MARKER WHITE 10MM	12
3595 11	UNIV.TYRE MARKER YELLOW 10MM	12
3595 30	UNIV.TYRE MARKER WHITE 18MM	12
3595 31	UNIV.TYRE MARKER YELLOW 18MM	12

Universal Paint Marker

- Universally suitable touch-up stick
- Water-proof
- Well covering
- Particularly suitable for tyres referring to allocation of vehicles, tyre position, tyre damages etc.



Article No.	Article Description	QTY
3595 20	UNIVERSAL PAINT MARKER WHITE	e 10
3595 21	UNIVERSAL PAINT MARKER YELLOW	e 10

Wheel / Tyre Label

- For marking tyres or wheels during seasonal storage
- Simple and quick attachment to the tyre/wheel
- Ideal visibility of the label due to optimum position
- Can be fixed and disassembled as often as required
- Protection against moisture
- Tyre can be cleaned with high-pressure cleaner when marked
- Label can be used several times
- Length: 80 cm



Article No.	Article Description	QTY
3530 60	KT(100)TYRE/WHEEL LABEL	1

Tyre-Storage Data Block

- Enables optimum organisation of wheel storage - the service for better customer retention
- For 50 sets of tyres including one sheet for each customer and workshop as well as four adhesive labels for marking the tyres
- The permanent numbering at the head and the repetition of this numerical order on the adhesive labels provide a clear connection between the wheel set and the customer
- Size: H x W: 200 x 95 mm



Article No.	Article Description	QTY
3530 50	TYRE-STORAGE DATA BLOCK	1

Wheel Label

- Enables optimum organisation of wheel storage due to unique allocation
- Simple and quick attachment to the valve
- Especially resistant made from environmentally friendly PP
- Stickers from the tyre storage sheet block can be pushed into the wheel label, thus protecting against moisture
- Label can be used several times



Article No.	Article Description	QTY
3530 52	KT(100)WHEEL LABEL	1

The Perfect Tyre Repair

- For tubeless tyres
- The tyre-repair sticks have passed all lifetime and high-speed tests without problem according to SAE-DOT
- The system complies all regulations for the repair of radial and diagonal tubeless-tyres at full volume
- Fast repair:
Repair time for radial tyres: approx. 5 min.
Repair time for diagonal tyres: approx. 1 min.
- Any piercing of the tyre tread, flat or any angular, can be repaired if the measured damage spread on the inside is not greater than: 6 mm up to including HR-tyres (210 km/h), 3 mm up to including VR-tyres (240 km/h)
- 2 repairs per tyre are allowed for TR tyres
- Tyre repair sticks and fluid plaster are 100 % self-vulcanising
- The tyre-repair sticks in tyres and steel belts are extremely shear and crack resistant.
- The tyre-fluid plaster (DBP-Pat. Pending) seals interior liner and repair sticks permanently and is the incontestable proof for the compulsory dismantling of radial tyres.
- Repaired tyres are renewable because of no drilling out and no rasping: Therefore no damage of the carrier and retaining construction (belt and angle), no danger of belt spreading.
- Note: at 30° piercing, a 6 mm drill would damage 12 mm of belt and carcass
- Also suitable for run flat tyres

Article No.	Article Description	QTY
6470 4700	REP SET FOR TUBELESS CAR TYRES	1
6470 4710	PK(50)TYRES REP.CAR HR	1
6470 4701	PK(50)TYRES REP.CAR VR	1
6470 4702	REP SET FOR TUBELESS NFZ TYRES	1
6470 4711	PK(25)TYRES REP.NFZ	1
6470 4720	RUBBER SOLUTION 25ML	1
6470 4730	TYRES FLUID PLASTER 50ML	1
6470 4735	REPL.INDUCT.AWL CAR WITHO.HAN.	1
6470 4736	REPL.IN.AWL COM.VE.WITHO.HANDLE	1
6470 4737	REPL.HANDLE FOR INDUCTION AWL	1
4290 2	VICE ACTION PLATE	1 ü

Art. No. 6470 4700 consists of:

- 1x Art. No. 4290 2 Vice action plate
- 1x Vehicle induction awls
- 1x Art. No. 4751 4 1 Blades
- 1x Art. No. 6470 4720 Rubber solution 25 ml
- 1x Art. No. 6470 4701 Tye repair sticks car - standard up to HR-tyres with tyre fluid plaster

Art. No. 6470 4710 consists of:

- See Art. No. 6470 4700 repair set for tubeless car tyres, but with induction awl for commercial vehicles
- 25x Art. No. 6470 4711 tyres repair sticks for commercial vehicles with tyre-fluid plaster

Art. No. 6470 4701 consists of:

- 50x Tyre repair sticks for cars - standard up to HR-tyres
- 1x Art. No. 6470 4720 Tyre-fluid plaster 50 ml

Art. No. 6470 4702 consists of:

- 50 Tyre repair sticks for car - standard up to VR-tyres
- 1x Art. No. 6740 4730 Tyre-fluid plaster 50 ml

Art. No. 6470 4711:

- 25x Tyre repair sticks for commercial vehicles
- 1x Art. No. 6470 4730 Tyre-fluid plaster 50 ml



Legal basis for suretyship according to StVZO for the repair of tubeless tyres, guide line 247 from 1980:

Extracts from point 5, tyre maintenance

- 5.2 Chalk vulcanisation
- 5.2.3 A stab damage due to chalk vulcanisation is only permitted on stitch damages in the tread area only up to 6 mm damage dimension - measured in the inside of the tyre. Thereby the stitch channel has to be filled and the damages have to be closed in the inside of the tyre by means of cover plaster.
- 5.2.4 Nail stitch damages on tubeless car-diagonal-tyres may also be reconditioned due to vulcanised rubber cork in mounting condition of the tyre.

The Perfect Tyre-Repair - Operation Instruction



1. Dismantle the tyre. Remove the object that caused the hole. Check the damaged spread. May not exceed up to back tyres (210 km/h) 6 mm and 3 mm in front tyres (240 km/h)
2. Clean the inner surface to a diameter of approx. 30 cm around the damaged spot with 1K-ASK-Cleaner.
3. Clean the hole duct with a square pricking awl.
4. Apply 1-2 drops of rubber solution the the eyelet of the induction awl and insert it into the hole duct. Repeat this process 3 or 4 times.



5. Pull the repair stick into the induction awl up through the centre. In case of repair sticks for front tyres, remove the red film beforehand. Attention! Prevent any impurity of the repair stick

6. Apply a bit of rubber solution to the top of the induction awl.



7. Press the induction awl with the repair stick into the hole until 10 cm of the repair stick is visible. Then turn it 90° under pressure.



8. Slowly pull out the insert awl and cut off the overlapping edges of the repair stick approx. 3 mm above the profile.



9. Apply approx. 3 cm of the repair fluid plaster around the repair stick from the inside.



10. Tyre can immediately be mounted.

Alloy Rim Repair Kit

- Fast and low-cost maintenance of abraded or damaged alloy rims
- Art. No. 4918 2:**
- Additionally with Art. No. 5353 7107 Mini Angle Grinder



Article No.	Article Description	QTY
4918 1	ALLOY RIM REPAIR KIT 56-PART	1
4918 2	ALL.RIM REPKIT W.ANGLE G.58PA	1

Art. No. 4918 1:

Art. No.	Art. Description	Quantity
5408 30	MASK FOR RIMS	1
5410 71	ANTI-STATIC CLOTH 40X40CM	1
5422 4	JAPAN-PUTTY KNIFE KIT 4-PART	1
5938 18	VELC.HAND GRI.BLOCK ROUND 75MM	1
5940 800	WET'N'DRY SAN.PAP.230X280 P800	3
5962 100 400	SANDING STAR D100 B20MM P400	1
5977 7 500	VELCRO ABRALON 6X77MM P500	3
5977 7 2000	VELCRO ABRALON 6X77MM P2000	3
5977 7 4000	VELCRO ABRALON 6X77MM P4000	3
5977 30 1	VELCRO FINGER GRINDER 30MM	1
5977 800	WAT.RES.GRIND.DISC 38MM G800	10
5977 1000	WAT.RES.GRIND.DISC 38MM G1000	10
5977 2000	WAT.RES.GRIND.DISC 38MM G2000	10
6200 0550	1K-MULTIPR.FIL.GREY L210 400ML	1
6210 2511	WHEEL PROT.CLEAR LQ.L249 400ML	1
6210 2800	ALL.RIM PAINT VIPER L217 150ML	1
6210 2801	A.RIM PAINT ARGENTO L217 150ML	1
6210 2802	AL.RIM PAINT ARCTIC L217 150ML	1
6210 2803	AL.RIM PAINT QUARTZ L217 150ML	1
6260 2780	ALUMINIUM FILLER L275 250G	1
6260 2795	FILLER - TEAR-OFF PAD 50 PCS.	1
9027 20	TOOL-SMALL PARTS KIT	1



5353 7107



3926 14 1



5410 71



5408 30



5422 4



6200 0550



6210 2511



6260 2780

Art. No. 4918 2:

Art. No.	Art. Description	Quantity
3926 14 1	COMPRESSED AIR NIPPLE 1/4"	1
5353 7107	MINI ANGLE GRIND.6MM INT.7107	1
5408 30	MASK FOR RIMS	1
5410 71	ANTI-STATIC CLOTH 40X40CM	1
5422 4	JAPAN-PUTTY KNIFE KIT 4-PART	1
5938 18	VELC.HAND GRI.BLOCK ROUND 75MM	1
5940 800	WET'N'DRY SAN.PAP.230X280 P800	3
5962 100 400	SANDING STAR D100 B20MM P400	1
5977 7 500	VELCRO ABRALON 6X77MM P500	3
5977 7 2000	VELCRO ABRALON 6X77MM P2000	3
5977 7 4000	VELCRO ABRALON 6X77MM P4000	3
5977 30 1	VELCRO FINGER GRINDER 30MM	1
5977 800	WAT.RES.GRIND.DISC 38MM G800	10
5977 1000	WAT.RES.GRIND.DISC 38MM G1000	10
5977 2000	WAT.RES.GRIND.DISC 38MM G2000	10
6200 0550	1K-MULTIPR.FIL.GREY L210 400ML	1
6210 2511	WHEEL PROT.CLEAR LQ.L249 400ML	1
6210 2800	ALL.RIM PAINT VIPER L217 150ML	1
6210 2801	A.RIM PAINT ARGENTO L217 150ML	1
6210 2802	AL.RIM PAINT ARCTIC L217 150ML	1
6210 2803	AL.RIM PAINT QUARTZ L217 150ML	1
6260 2780	ALUMINIUM FILLER L275 250G	1
6260 2795	FILLER - TEAR-OFF PAD 50 PCS.	1
9027 20	TOOL-SMALL PARTS KIT	1



6260 2795



6210 2800



6210 2801



6210 2802



6210 2803



5962 100 400



5940 800



5938 18



5977 30 1



5977 800



5977 1000



5977 2000



5977 7 500



5977 7 2000



5977 7 4000

Plastic Spread Rivets



Article No.	Article Description	QTY
3040 3001	SPR.RIVET PLAST. 7.9X12.0 B16	gf 100
3040 3002	SPR.RIVET PLAST.5.8X11.4 B10	gf 100
3040 3003	SPR.RIVET PLAST.5.5X11.0 B16	gf 100
3040 3004	SPR.RIV.PLAST.S.5.0X15.0 B10	gf 100
3040 3005	SPR.RIVET PLAST.13.0X17.4 B20	gf 100
3040 3006	SPR.RIV.PLAST.L.5.0X15.0 B10	gf 100
3040 3007	SPR.RIV.PLAST.7.8X11.0 B12.3	gf 100
3040 3008	SPR.RIVET PLAST.8.0X15.0 B19	gf 100
3040 3009	SPR.RIVET PLAST.8.0X15.0 B13	gf 100
3040 3014	SPR.RIVET PLAST. 5.0X11.5 B10	gf 100
3040 3018	SPR.RIVET PLAST. 5.8X11.4 B20	gf 100
3040 3019	SPR.RIVET PLAST. 7.0X16.0 B18	gf 100
3040 3020	SPR.RIVET PLAST. 3.5X8.0 B8	gf 100
3040 3031	SPR.RIVET PLAST. 5.5X8.0 B10	gf 100
3040 3073	SPR.RIVET PLAST. 5.8X10.0 B13	gf 100
3040 3077	SPR.RIVET PLAST. 3.9X8.5 B8	gf 100
3040 3079	SPR.RIVET PLAST. 4.5X13.0 B22	gf 100

(AxDxB mm)

Technical Data					
A mm	B mm	C mm	D mm	Thickness mm	
7,90	16,00	2,00	12,00	4,00 - 7,00	
5,80	10,00	2,00	11,40	2,00 - 8,00	
5,50	16,00	2,00	11,00	2,50 - 7,00	
5,00	10,00	2,00	15,00	6,00 - 11,00	
14,00	20,00	2,80	17,40	2,50 - 2,50	
5,00	10,00	2,00	15,00	5,50 - 12,00	
7,80	12,30	1,00	11,00	2,40 - 6,80	
8,00	19,00	3,00	15,00	5,00 - 11,00	
8,00	13,00	3,00	15,00	5,50 - 10,00	
5,00	10,00	2,00	11,50	3,00 - 8,00	
5,80	10,00	2,00	11,40	2,00 - 8,00	
7,00	18,00	2,70	16,00	6,90 - 7,10	
3,50	8,00	2,20	8,00	2,00 - 5,00	
5,00	10,00	2,00	8,00	1,50 - 5,00	
5,80	13,00	2,00	10,00	2,00 - 8,00	
3,90	8,00	1,00	8,50	1,50 - 5,00	
4,50	22,00	3,00	13,00	4,00 - 8,00	

Plastic Spread Rivets with Cap

Technical Data					
Art. No.	A mm	B mm	C mm	D mm	Thickness mm
3040 3010	6,50	20,00	4,00	20,00	7,00 - 15,00
3040 3011	6,50	20,00	3,50	17,00	2,00 - 10,00
3040 3016	6,50	15,00	3,50	15,00	2,00 - 10,00
3040 3023	8,70	20,00	3,30	14,00	3,00 - 10,00
3040 3025	6,50	15,00	4,00	20,00	7,00 - 15,00
3040 3026	6,50	20,00	5,00	15,00	2,80 - 11,00
3040 3032	8,30	12,00	2,50	10,00	3,50 - 7,00
3040 3070	8,00	20,00	6,00	14,00	3,50 - 10,00
3040 3071	8,00	20,00	2,50	9,40	2,00 - 4,50
3040 3072	4,50	15,00	3,00	11,50	3,00 - 8,00
3040 3074	8,00	20,00	3,00	13,00	3,00 - 8,00
3040 3080	8,00	20,00	2,30	21,00	5,00 - 15,00

Article No.	Article Description	QTY
3040 3010	SPR.RIV.W.CAP PLAST.6.5X20 B20	gf 100
3040 3011	SPR.RIV.W.CAP PLAST.6.5X17 B20	gf 100
3040 3016	SPR.RIV.W.CAP PLAST.6.5X15 B15	gf 100
3040 3023	SPR.RIV.W.CAP PLAST.8.7X14 B20	gf 100
3040 3025	SPR.RIV.W.CAP PLST.6.5X20 B15	gf 100
3040 3026	SPR.RIV.W.CAP PLST.6.5X15 B20	gf 100
3040 3032	SPR.RIV.W.CAP PLST.8.3X10 B12	gf 100
3040 3070	SPR.RIV.W.CAP PLST.8.0X14 B20	gf 100
3040 3071	SPR.RIV.W.CAP PLST.8.0X9.4 B20	gf 100
3040 3072	SPR.RIV.W.CAP PLST.4.5X11 B15	gf 100
3040 3074	SPR.RIV.W.CAP PLST.8.0X13 B20	gf 100
3040 3080	SPR.RIV.W.CAP PLST.8.0X21 B20	gf 100

(AxDxB mm)

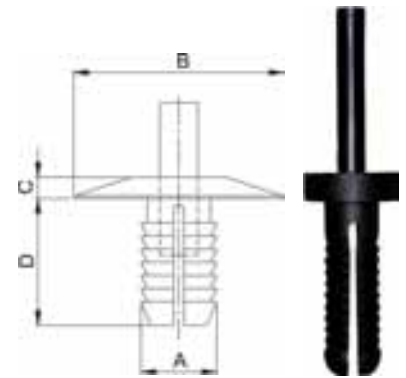


Plastic Spread Rivets without Cap

Technical Data					
Art. No.	A mm	B mm	C mm	D mm	Thickness mm
3040 3024	6,50	20,00	2,00	15,00	2,00 - 10,00
3040 3028	7,50	13,00	4,00	24,00	6,00 - 20,00

Article No.	Article Description	QTY
3040 3024	RIV.WITHO.CAP PLAST.6.5X15 B20	gf 100
3040 3028	RIV.WITHO.CAP PLAST.7.5X24 B13	gf 100

(A x D mm)

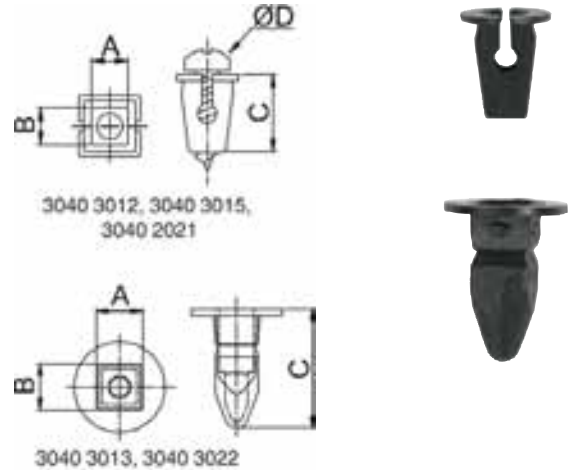


Plastic Spread Nuts

Technical Data					
Art. No.	ØD mm	A mm	B mm	C mm	Thickness mm
3040 3012	4,80	7,40	6,60	14,00	0,80 - 1,00
3040 3013	4,80	8,00	8,00	21,00	0,70 - 1,50
3040 3015	4,20	7,00	7,00	12,00	0,80 - 1,00
3040 3021	4,20	7,00	7,00	12,00	0,80 - 1,00
3040 3022	4,80	7,50	7,50	21,50	0,70 - 1,50

Article No.	Article Description	QTY
3040 3012	PLST.SPREAD NUT 7.4X6.6 3012	gf 100
3040 3013	PLST.SPREAD NUT 8.0X8.0 3013	gf 100
3040 3015	PLST.SPREAD NUT 7.0X7.0 3015	gf 100
3040 3021	PLST.SPREAD NUT 7.0X7.0 3021	gf 100
3040 3022	PLST.SPREAD NUT 7.5X7.5 3022	gf 100

(A x B mm)

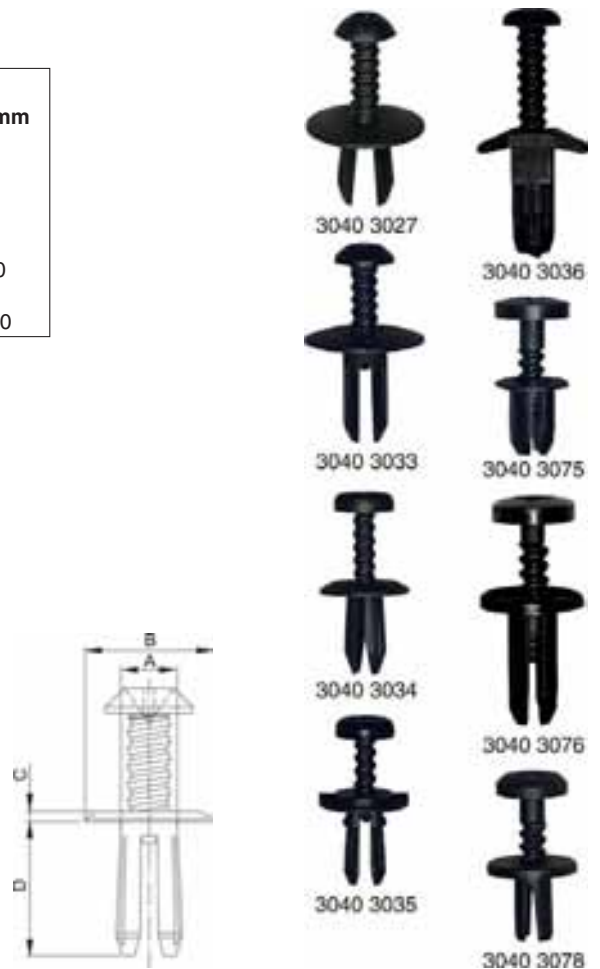


Plastic Scrivet with Cap

Technical Data						
Art. No.	A mm	B mm	C mm	D mm	Hole mm	Thickness mm
3040 3027	6,30	16,30	1,60	11,30	6,30 x 6,90	- 7,00
3040 3033	6,20	17,00	1,60	15,20	6,20 x 6,30	- 10,00
3040 3034	4,50	12,00	1,50	11,20	4,50 x 5,30	- 7,00
3040 3035	4,90 x 4,90	12,00	1,60	11,00	4,90 x 4,90	- 1,80
3040 3036	5,90 x 5,60	7,00 x 10,20	2,40	15,00	5,90 x 5,60	- 7,00
3040 3075	6,20	9,80	1,50	9,50	6,20	2,00 - 4,00
3040 3076	5,05 - 5,25	12,00	1,50	11,70	5,05 - 5,25	3,80
3040 3078	5,80	12,10	1,50	14,20	6,20	5,80 - 10,00

Article No.	Article Description	QTY
3040 3027	SCRIVET 6.3X11.3	gf 100
3040 3033	SCRIVET 6.2X15.2	gf 100
3040 3034	SCRIVET 4.5X11.2	gf 100
3040 3035	SCRIVET 4.9X4.9X11	gf 100
3040 3036	SCRIVET 5.9X5.6X15	gf 100
3040 3075	SCRIVET 6.2X9.5	gf 100
3040 3076	SCRIVET 5.05X5.25X11.7	gf 100
3040 3078	SCRIVET 5.8X14.2	gf 100

(Ax D mm)



Fir Tree Clip

Technical Data

Art. No.	A mm	B mm	C mm	Hole mm	Thickness mm
3040 1011	28.00	2.00	16.00	7.50 - 7.80	3.00 - 12.00
3040 1029	14.00	2.00	15.00	6.00 - 6.50	3.00 - 11.00
3040 1034	20.00	2.50	20.00	8.00 - 8.50	3.00 - 14.00
3040 1045	20.00	2.75	12.50	8.00 - 8.50	3.00 - 7.00
3040 1049	14.00	1.60	12.00	7.00 - 7.20	3.00 - 7.00
3040 1320	14.00	2.00	15.00	7.20 - 7.60	3.00 - 10.00
3040 1321	12.50	1.80	17.50	6.50 - 7.00	3.00 - 12.00



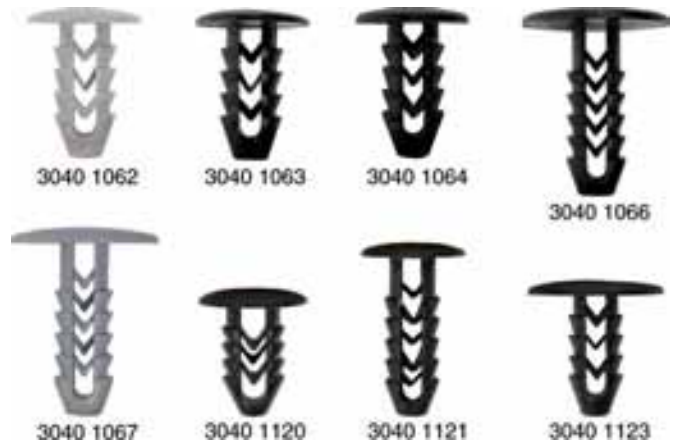
Article No.	Article Description	QTY
3040 1011	FIR TREE CLIP 28X2X16	gf 100
3040 1029	FIR TREE CLIP 14X2X15	gf 100
3040 1034	FIR TREE CLIP 20X2.5X20	gf 100
3040 1045	FIR TREE CLIP 20X2.75X12.5	gf 100
3040 1049	FIR TREE CLIP 14X1.6X12	gf 100
3040 1320	FIR TREE CLIP 14X2X15	gf 100
3040 1321	FIR TREE CLIP 12.5X2X17.5	gf 100

(AxBxC mm)

Fir Tree Clip Universal

Article No.	Article Description	QTY
3040 1062	FIR TREE CLIP GREY 15.3X2X18	fH 300
3040 1063	FIR TREE CLIP BROWN 15.3X2X18	fH 300
3040 1064	FIR TREE CLIP BLACK 15.3X2X18	fH 300
3040 1066	FIR TREE CLIP BLACK 20.3X2X23	fH 300
3040 1067	FIR TREE CLIP GREY 20.3X2X23	fH 300
3040 1120	FIR TREE CLIP BLACK 16X2X17	fH 300
3040 1121	FIR TREE CLIP BLACK 15X2X23	fH 300
3040 1123	FIR TREE CLIP BLACK 20X2X18	fH 300

(AxBxC mm)

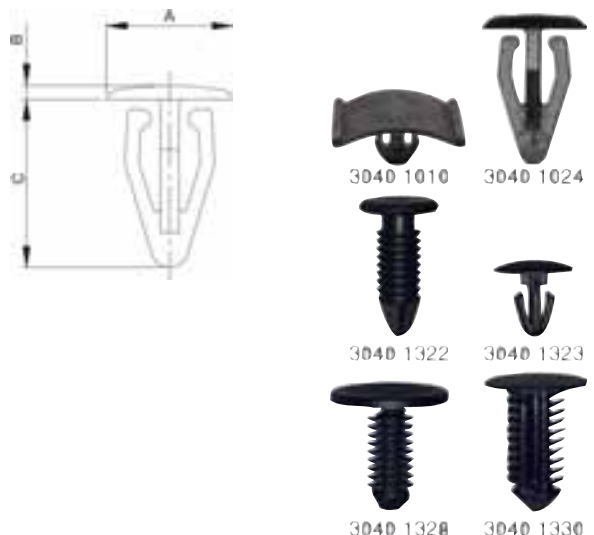


Cover Plugs

Technical Data

Art. No.	A mm	B mm	C mm	Hole mm	Thickness mm
3040 1010	22.00 x 18.00	-	10.00	-	-
3040 1024	14.00	2.00	20.00	7.80 - 8.00	2.00 - 4.50
3040 1322	11.80	2.00	18.50	6.70 - 6.90	3.00 - 10.00
3040 1323	11.95	1.75	10.00	6.60 - 6.80	2.50 - 8.00
3040 1328	18.00	1.75	17.00	7.00 - 7.20	3.00 - 12.00
3040 1330	16.00	1.50	20.00	7.80 - 8.00	3.00 - 14.50

Article No.	Article Description	QTY
3040 1010	COVER PLUG FOR BONNET 22X18	gf 100
3040 1024	COVER PLUG BLACK 14.0X2X20	gf 100
3040 1322	COVER PLUG BLACK 11.8X2X18.5	gf 100
3040 1323	COVER PLUG 11.95X1.75X10	gf 100
3040 1328	COVER PLUG BLACK 18.0X1.75X17	gf 100
3040 1330	COVER PLUG BLACK 16.0X1.5X20.0	gf 100



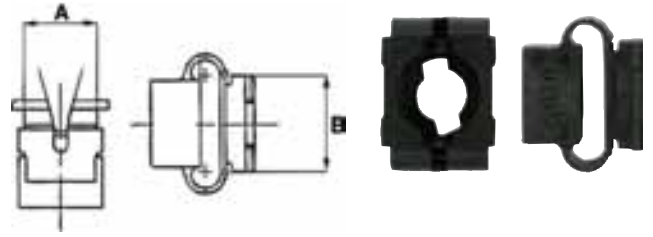
Clamping Nut

- Counter piece: Art. No. 3040 1002, 3040 1020

Technical Data			
Art. No.	A mm	B mm	
3040 1001	11.10	14.10	

Article No.	Article Description	QTY
3040 1001	CLAMPING NUT PLAST.11.1X14.1	gf 100

(A x B mm)



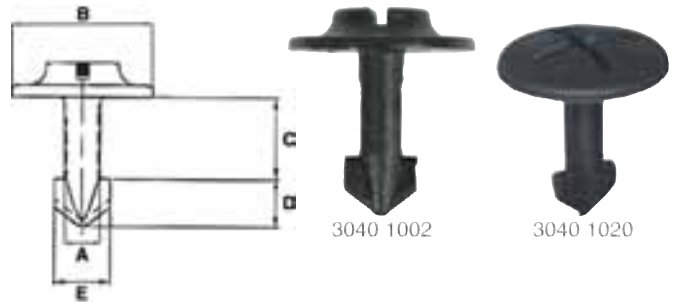
Plastic Turn Lock

- Counter piece: Art. No. 3040 1001, 3040 1020

Technical Data					
Art. No.	A mm	B mm	C mm	D mm	E mm
3040 1002	6.40	25.00	14.00	8.30	9.90
3040 1020	6.20	25.00	16.00	8.30	10.00

Article No.	Article Description	QTY
3040 1002	TURN LOCK PLAST. 6.4X14 B25	gf 100
3040 1020	TURN LOCK PLAST. 6.2X16 B25	gf 100

(A x C mm)



Clamping Screws

Art. No. 3040 1008 and 3040 1009:

- Counter piece: Art. No. 3040 1013, 3040 1014

Art. No. 3040 1019:

- Counter piece: Art. No. 3040 1015

Technical Data					
Art. No.	A mm	B mm	C mm	D mm	E mm
3040 1008	7.00	18.00	9.00	15.00	21.00
3040 1009	7.00	18.00	8.00	14.00	18.00
3040 1019	6.00	12.00	9.00	16.00	20.00

Article No.	Article Description	QTY
3040 1008	CLAMP:SCREW BLACK 7.0X21.0MM	gf 100
3040 1009	CLAMP:SCREW SILVER 7.0X18.0MM	gf 100
3040 1019	CLAMP:SCREW BLACK 6.0X20.00MM	gf 100

(A x E mm)



Plate Nuts Screw Cap

Art. No. 3040 1013 and 3040 1014:

- Counter piece: Art. No. 3040 1008, 3040 1009

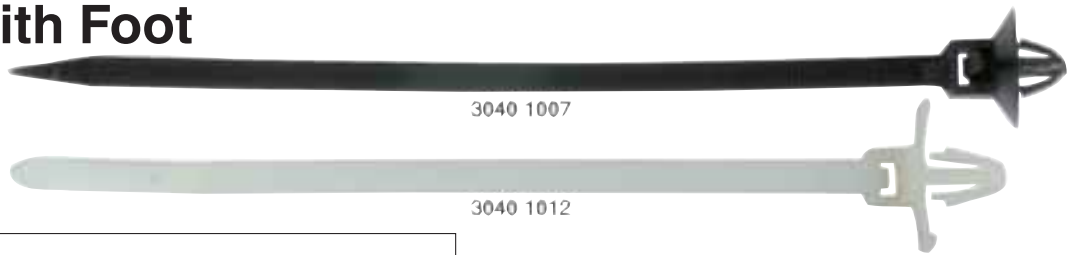
Art. No. 3040 1015:

- Counter piece: Art. No. 3040 1019

Article No.	Article Description	QTY
3040 1013	PLATE NUT 1013	gf 100
3040 1014	PLATE NUT 1014	gf 100
3040 1015	PLATE NUT 1015	gf 100



Cable Tie with Foot



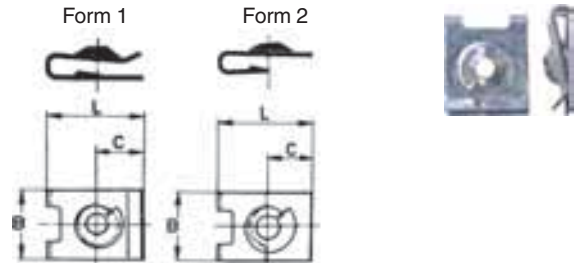
Technical Data					
Art. No.	Hole mm	Thickness mm	Bundle Ø mm	Tie length mm	Tie width mm
3040 1007	6.50	0.70 - 1.50	8.00 - 35.00	140.00	4.50
3040 1012	6.50	0.70 - 3.00	1.50 - 24.40	132.00	4.80

Article No.	Article Description	QTY
3040 1007	CABLE TIE WITH FOOT 140X4.5MM	gf 100
3040 1012	CABLE TIE WITH FOOT 132X4.8MM	gf 100

(Tie length x tie width mm)

Sheet-Metal Nuts, Spring Steel DIN 17222, Galv. St

- Application: for material thickness 0.5-1.8 mm
- Galvanized steel
- Art. No. 2290 39 2, 2290 65 2:
- Shape 2



Article No.	Article Description	QTY
2290 29	SHEET-MET.NUT 2.9 12.00X11.00	H 300
2290 35	SHEET-MET.NUT 3.5 16.50X11.00	H 300
2290 39	SHEET-MET.NUT 3.9 16.50X11.30	H 300
2290 39 2	SHEET-MET.N.3.9 S2 15.00X12.50	H 300
2290 42	SHEET-MET.NUT 4.2 16.50X11.20	H 300
2290 42 1	SHEET-MET.NUT 4.2 24.50X11.00	H 300
2290 48	SHEET-MET.NUT 4.8 16.00X14.50	H 300
2290 48 1	SHEET-MET.NUT 4.8 16.50X11.30	H 300
2290 48 2	SHEET-MET.NUT 4.8 18.25X16.00	H 300
2290 48 3	SHEET-MET.NUT 4.8 20.00X12.00	H 300
2290 55	SHEET-MET.NUT 5.5 26.00X14.80	H 300
2290 56	SHEET-MET.NUT 5.6 20.20X13.30	H 300
2290 63	SHEET-MET.NUT 6.3 27.00X14.20	H 300
2290 65	SHEET-MET.NUT 6.5 25.20X16.20	H 300
2290 65 2	SHEET-MET.N.6.5 S2 25.00X14.80	H 300

Technical Data			
For screw-Ø mm	L mm	B mm	C mm
2.90	12.00	11.00	6.00
3.50	16.50	11.00	8.00
3.90	16.50	11.30	8.00
3.90	15.00	12.50	7.00
4.20	16.50	11.20	8.00
4.20	24.50	11.00	7.50
4.80	16.00	14.50	6.50
4.80	16.50	11.30	8.00
4.80	18.25	16.00	9.50
4.80	20.00	12.00	9.00
5.50	26.00	14.80	8.00
5.60	20.20	13.30	8.50
6.30	27.00	14.20	12.00
6.50	25.20	16.20	11.00
6.50	25.00	14.80	11.00

(LxW mm)

Clamps Universal, Sheet-Metal Nuts

Article No.	Article Description	QTY
3040 1061	UNIVERSAL CLAMP METAL BLACK	fH 300
2290 30	SHEET-MET.3.0 CURV.14.85X8.15	H 300
2290 35 1	SHEET-MET.3.5 CURV.15.10X8.0	H 300



Sheet-Metal Nuts, Galvanized Steel in Assortment

• 2.9 - 6.5 = 650 pieces

Article No.	Article Description	QTY
9000 2290	ASSORTMENT SHEET-METAL NUTS	1
9000R 2290	TRAY SHEET-METAL NUTS	1

Contents:

Article No.	Article Description	Quantity
2290 29	SHEET-MET.NUT 2.9 12.00X11.00	50
2290 35	SHEET-MET.NUT 3.5 16.50X11.00	50
2290 39	SHEET-MET.NUT 3.9 16.50X11.30	50
2290 42	SHEET-MET.NUT 4.2 16.50X11.20	50
2290 42 1	SHEET-MET.NUT 4.2 24.50X11.00	50
2290 48	SHEET-MET.NUT 4.8 16.00X14.50	50
2290 48 1	SHEET-MET.NUT 4.8 16.50X11.30	50
2290 48 2	SHEET-MET.NUT 4.8 18.25X16.00	50
2290 48 3	SHEET-MET.NUT 4.8 20.00X12.00	50
2290 56	SHEET-MET.NUT 5.6 20.20X13.30	50
2290 65	SHEET-MET.NUT 6.5 25.20X16.20	150



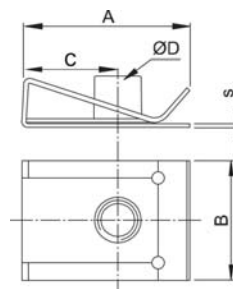
Plate Nuts, Metric

Art. No. 2291 6:

• Self-locking

Technical Data

Art. No.	Ø D mm	A mm	B mm	C mm	s mm	Thickness mm
2291 5	M 5	20.40	15.00	10.50	0.60	0.80 - 4.30
2291 5 1	M 5	23.50	15.00	13.00	0.60	0.80 - 4.30
2291 6	M 6	23.80	16.00	11.50	0.80	0.70 - 4.00
2291 6 1	M 6	23.60	16.00	11.50	0.80	0.50 - 4.80
2291 6 2	M 6	24.20	16.00	14.00	0.80	0.50 - 4.00
2291 8	M 8	25.00	16.00	13.00	1.00	3.50 - 7.00
2291 9	M 8	27.50	18.00	13.00	1.00	0.80 - 4.00



Article No.	Article Description	QTY
2291 5	PLATE NUT M5 20.4X15.0X10.5	f 100
2291 5 1	PLATE NUT M5 23.5X15.0X13.0	f 100
2291 6	PLATE NUT M6 23.8X16.0X11.5	f 100
2291 6 1	PLATE NUT M6 23.6X16.0X11.5	f 100
2291 6 2	PLATE NUT M6 24.2X16.0X14.0	f 100
2291 8	PLATE NUT M8 25.0X16.0X13.0	f 100
2291 9	PLATE NUT M8 27.5X18.0X13.0	f 100

(A x B x C mm)

Box Nuts, Galvanized Steel

Article No.	Article Description	QTY
2295 4	BOX NUT M 4	100
2295 4 1	BOX NUT M 4 BLACK	100
2295 5	BOX NUT M 5	100
2295 6	BOX NUT M 6	100
2295 6 1	BOX NUT M 6 BLACK	100
2295 8	BOX NUT M 8	100
2295 8 1	BOX NUT M 8 BLACK	100

(Ø M in mm)

Technical Data

Thickness	Hole-Ø
0.7 - 1.6	9.5
0.7 - 1.6	9.5
0.7 - 1.6	9.5
0.7 - 1.6	9.5
0.7 - 1.6	9.5
1.8 - 3.2	12.1
1.8 - 3.2	12.1



2295 5, 2295 6, 2295 8



2295 4, 2295 4 1, 2295 6 1, 2295 8 1

Plastic Rivets

- For fixing interior linings, inner mudguards, dashboards etc.
- Art. No. 3040 4005 for BMW, Original No.: 51717002953



Technical Data						
Art. No.	Hole-Ø mm	A mm	B mm	C mm	D mm	Thickness mm
3040 4001	5.00	4.80	17.2	12.30	2.00	1.50 - 4.50
3040 4002	5.00	4.90	15.80	12.00	3.30	1.50 - 4.50
3040 4003	6.30 - 6.50	6.30	25.20	17.00	2.50	6.00 - 10.00
3040 4004	6.80	6.60	17.20	13.00	2.60	1.50 - 4.50
3040 4005	6.00	5.80	19.30	20.00	2.70	6.00 - 8.00

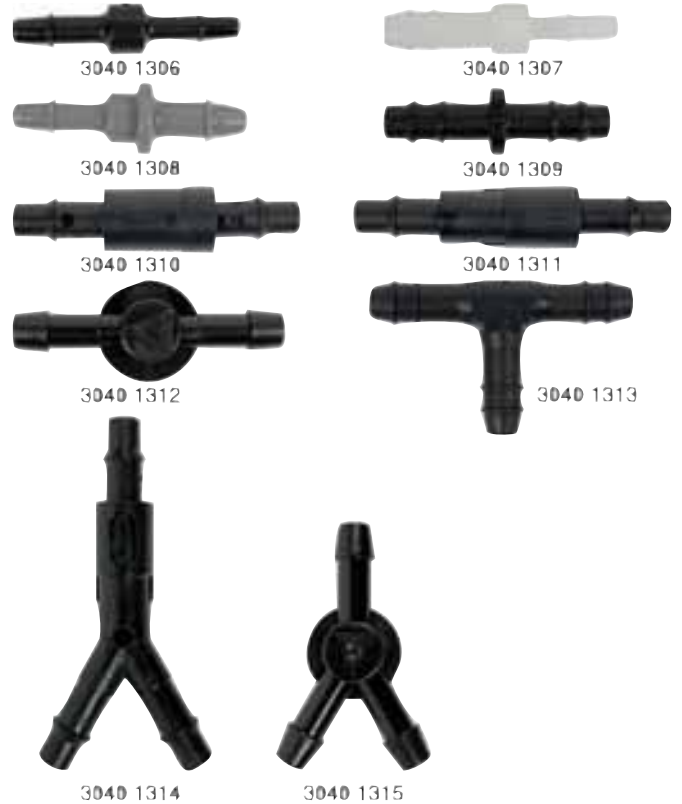
Article No.	Article Description	QTY
3040 4001	PLASTIC RIVETS 5.0X17.2MM	w 100
3040 4002	PLASTIC RIVETS 5.0X15.8MM	w 100
3040 4003	PLASTIC RIVETS 6.3X25.2MM	w 100
3040 4004	PLASTIC RIVETS 6.8X17.2MM	w 100
3040 4005	PLASTIC RIVETS 6.0X19.3MM	w 100

(Hole-Ø x B mm)

Hose Fittings

Art. No. 3040 1310, 3040 1311, 3040 1312, 3040 1313, 3040 1314, 3040 1315:

- With non-return valve



Article No.	Article Description	QTY
3040 1306	HOSE FITTING GS L=31MM Ø=3-3	z 50
3040 1307	HOSE FITTING GS L=31MM Ø=3-5	z 50
3040 1308	HOSE FITTING GS L=32MM Ø=4-5	z 50
3040 1309	HOSE FITTING GS L=30MM Ø=5-5	z 50
3040 1310	HOSE FITTING GS L=38MM Ø=5-5	z 50
3040 1311	HOSE FITTING GS L=43MM Ø=5-5	z 50
3040 1312	HOSE FITTING GS L=37MM Ø=5-5	z 50
3040 1313	HOSE FITTING TRS Ø=5-5-5	z 50
3040 1314	HOSE FITTING YS1 Ø=5-5-5	z 50
3040 1315	HOSE FITTING YS2 Ø=5-5-5	z 50

(Ø x length mm)

Fixing Parts, 140 Pieces in Assortment

Article No.	Article Description	QTY
9000 3040 1	ASSORT.FIXING PARTS 140-PIECE	1
9000R 3040 1	TRAY FIXING PARTS 140-PIECE	1

Contents:

Article No.	Article Description	Quantity
3040 1003	INTERIOR TRIM CLIP 1003	10
3040 1004	ROOF STRIP CLIP 1004	10
3040 1005	MOULDING CLIP 1005	10
3040 1006	GROMMET CLOSED 8.8X11.4	10
3040 1007	CABLE TIE WITH FOOT 140X4.5MM	10
3040 3001	SPR.RIVET PLAST. 7.9X12.0 B16	10
3040 3002	SPR.RIVET PLAST.5.8X11.4 B10	10
3040 3003	SPR.RIVET PLAST.5.5X11.0 B16	10
3040 3004	SPR.RIV.PLAST.S.5.0X15.0 B10	10
3040 3005	SPR.RIVET PLAST.13.0X17.4 B20	10
3040 3006	SPR.RIV.PLAST.L.5.0X15.0 B10	10
3040 3007	SPR.RIV.PLAST.7.8X11.0 B12.3	10
3040 3009	SPR.RIVET PLAST.8.0X15.0 B13	10
3040 3011	SPR.RIV.W.CAP PLAST.6.5X17 B20	10



Fixing Parts, 250 Pieces in Assortment

Article No.	Article Description	QTY
9000 3040 2	ASSORTM.FIXING PARTS 250-PIECE	1
9000R 3040 2	TRAY FIXING PARTS 250-PIECE	1

Contents:

Article No.	Article Description	Quantity
3040 3001	SPR.RIVET PLAST. 7.9X12.0 B16	25
3040 3002	SPR.RIVET PLAST.5.8X11.4 B10	25
3040 3003	SPR.RIVET PLAST.5.5X11.0 B16	25
3040 3004	SPR.RIV.PLAST.S.5.0X15.0 B10	25
3040 3005	SPR.RIVET PLAST.13.0X17.4 B20	25
3040 3006	SPR.RIV.PLAST.L.5.0X15.0 B10	25
3040 3007	SPR.RIV.PLAST.7.8X11.0 B12.3	25
3040 3009	SPR.RIVET PLAST.8.0X15.0 B13	25
3040 3011	SPR.RIV.W.CAP PLAST.6.5X17 B20	25
3040 3013	PLST.SPREAD NUT 8.0X8.0 3013	25



Fixing Parts AUDI, VW, SEAT, SKODA (VW AG)



Article No.	Article Description	QTY	Pict.	OEM No.	Vehicle Application
1302 63 19	SHEET MET.SCR.W.WASH.GA 6.3X19	HR 500	1	311821143, N90542602	AUDI, VW, var. models
2290 30 1	SHEET-MET.NUT 3.0 15.00X12.20	H 300	2		SEAT, var. models
2290 42	SHEET-MET.NUT 4.2 16.50X11.20	H 300	3	N0154292	AUDI, VW, var. models
2290 42 1	SHEET-MET.NUT 4.2 24.50X11.00	H 300	4	211837223	AUDI, VW, var. models
2290 42 2	SHEET-MET.NUT 4.2 13.00X11.15	H 300	5	N90170801	AUDI, VW Golf
2290 42 4	SHEET-MET.NUT 4.2 16.50X11.16	H 300	6	N0154291	AUDI, VW, var. models
2290 48 1	SHEET-MET.NUT 4.8 16.50X11.30	H 300	7		VW Golf III
2290 63	SHEET-MET.NUT 6.3 27.00X14.20	H 300	8	N0154322	AUDI, VW, var. models
2290 65	SHEET-MET.NUT 6.5 25.20X16.20	H 300	9	803821117	AUDI, VW, var. models
2290 65 2	SHEET-MET.N.6.5 S2 25.00X14.80	H 300	10	311821161	AUDI, VW, var. models
2707 4 14	BLIND RI.12MM AL BLACK/ST 4X14	HR 500	11	N90634901	AUDI, VW, VW Golf
3010 1	BODY TRIM RIVET T-BOLT	100	12		AUDI, VW, var. models: moulding
3011 3	RETAINING RING	100	13	N90335004, N90335006	AUDI, VW, var. mod. insul. board exhaust
3040 1001	CLAMPING NUT PLAST.11.1X14.1	gf 100	14	4A0805163	AUDI, VW, var. models
3040 1002	TURN LOCK PLAST. 6.4X14 B25	gf 100	15	4A0805121A	AUDI, VW, var. models
3040 1003	INTERIOR TRIM CLIP 1003	gf 100	16	1H0837719	AUDI, VW, var. models: inner lining
3040 1004	ROOF STRIP CLIP 1004	gf 100	17	191853733A, 6U0853733	AUDI, VW, var. models: roof strip
3040 1005	MOULDING CLIP 1005	gf 100	18	1H0853733B	AUDI, VW, var. models: moulding
3040 1006	GROMMET CLOSED 8.8X11.4	gf 100	19	1H0853586	AUDI, VW, var. models
3040 1007	CABLE TIE WITH FOOT 140X4.5MM	gf 100	20	N90205501	AUDI, VW, var. models: cable
3040 1008	CLAMP.SCREW BLACK 7.0X21.0MM	gf 100	21	8D0805121B	AUDI, VW, var. models
3040 1009	CLAMP.SCREW SILVER 7.0X18.0MM	gf 100	22	8D0805121	AUDI, VW, var. models
3040 1013	PLATE NUT 1013	gf 100	23	8D0805960	AUDI, VW, var. models
3040 1014	PLATE NUT 1014	gf 100	24	8E0805960	AUDI, VW, var. models
3040 1015	PLATE NUT 1015	gf 100	25	4A0805960	AUDI, VW, var. models
3040 1016	INTERIOR TRIM CLIP 1016	gf 100	26	3B0868243	VW Golf IV, Passat, SEAT

Fixing Parts AUDI, VW, SEAT, SKODA (VW AG)



Article No.	Article Description	QTY	Pict.	OEM No.	Vehicle Application
3040 1017	INTERIOR TRIM CLIP 1017	gf 100	27	6Q0868243	VW Polo 2, Caddy, Golf IV
3040 1018	INTERIOR TRIM CLIP 1018	gf 100	28	8E0868243	AUDI A4 year '00: inner lining
3040 1019	CLAMP.SCREW BLACK 6.0X20.00MM	gf 100	29	4A0805121B	AUDI, VW, var. models
3040 1020	TURN LOCK PLAST. 6.2X16 B25	gf 100	30	4A0805121C	AUDI, VW, ver. Modelle
3040 1021	MOULDING CLIP WITH RED RING	gf 100	31	113853585C	VW Golf, Polo, Passat
3040 1022	INTERIOR TRIM CLIP 1022	gf 100	32	823867299	AUDI, VW, var. mod. inner lining
3040 1023	UPHOLSTERY CLIP ZI FLAT	gf 100	33	N0143893, N143893	AUDI, VW, var. models
3040 1024	COVER PLUG BLACK 14.0X2X20	gf 100	34	80186729901C, 801867299041	VW Golf, Polo: car body
3040 1025	INTERIOR TRIM CLIP YELLOW 1025	gf 100	35	7M0867299K	AUDI, VW, var. mod. inner lining
3040 1026	DOOR STRIP CLIP BLACK 1026	gf 100	36	251823717	VW Golf III: door
3040 1027	GEOMET CLAMP.WASHER 321 SILVER	gf 100	37	N90796502	AUDI, VW, var. models
3040 1028	GROMMET CLOSED 9.0X15.0	gf 100	38	113857219A	AUDI, VW, var. models
3040 1029	FIR TREE CLIP 14X2X15	gf 100	39	82386320301C	VW Golf 88
3040 1030	INTERIOR TRIM CLIP 1030	gf 100	40	1H0868243B	AUDI, VW, var. models
3040 1031	SHEET MET.SCREW 4.8X16 TX25	gf 100	41	N90775001	AUDI, VW, var. models
3040 1032	MOULDING CLIP WITHOUT GROMMET	gf 100	42	1H0853585	VW Golf III: moulding
3040 1034	FIR TREE CLIP 20X2.5X20	gf 100	43	N90201601	VW Polo 95
3040 1057	METAL CLAMP FOR WINDOW LIFTER	fH 300	44	FA52143600	SEAT, var. models: window
3040 1060	WALL MOUNTING TAILGATE	gf 100	45	4B0867276A	AUDI, VW, var. models: tailgate
3040 1074	HEADLIGHT SETTING CLAMP 1	ü 10	46	191941133	VW Golf 90: Scheinwerfer
3040 1075	HEADLIGHT SETTING CLAMP 1	ü 10	47	191941141	VW Golf 90: headlight
3040 1076	HEADLIGHT CLIP WS	fH 300	48	191941142	VW Golf 90: headlight
3040 1079	MOULDING CLIP WITH GROMMET	z 50	49	1H0853585	VW Golf III: moulding
3040 1080	MOULDING CLIP YELLOW	z 50	50	1H0853585B	VW Golf III: moulding
3040 1081	MOULDING CLIP COLOURLESS	z 50	51	1H0853585A	VW Golf: moulding
3040 1083	SCREEN CLIP	z 50	52		SEAT, var. models: screen

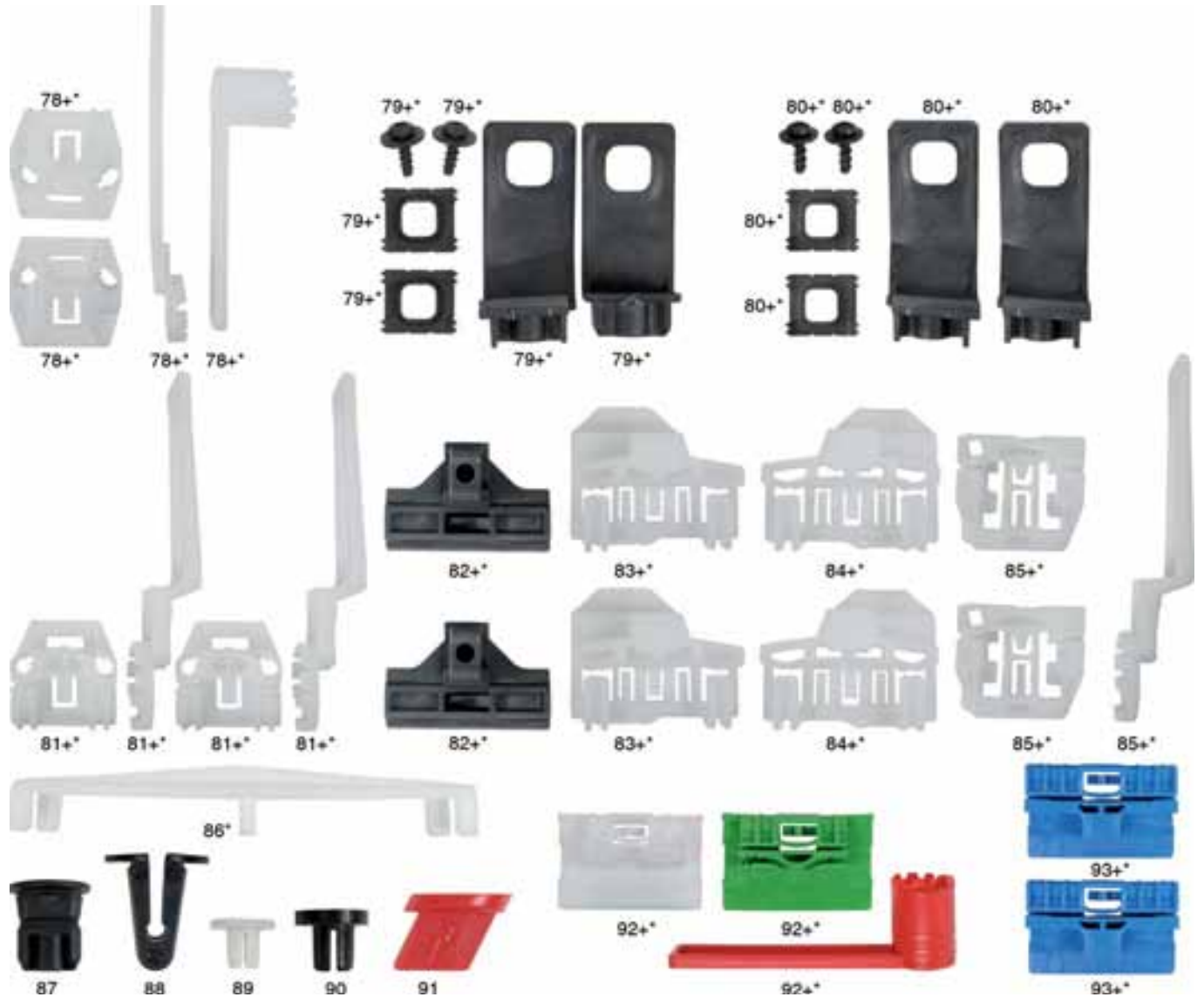
Fixing Parts AUDI, VW, SEAT, SKODA (VW AG)



Article No.	Article Description	QTY	Pict.	OEM No.	Vehicle Application
3040 1090	BUMPER SCREW BLACK	z 50	53	6N0807199	AUDI, VW, var. models: bumper
3040 1091	INNER LINING CLIP 1091	fH 300	54		SEAT, var. models: inner lining
3040 1110	MOUNTING ROD	z 50	55	1H0823397	VW Golf, Passat, AUDI 80: bumper rod
3040 1115	PLASTIC SCREW	gf 100	56	443853547B	AUDI, VW, var. models
3040 1116	CABLE HOLDER	gf 100	57		SEAT, var. models: cable
3040 1117	MOUNTING WHEEL HOUSING GR	fH 300	58		SEAT, var. models: wheel housing
3040 1118	MOUNTING WHEEL HOUSING BLACK	fH 300	59	0008235646	SEAT, var. models: wheel housing
3040 1122	MOUNTING CLIP NUMBERPLATE	fH 300	60	HB56625000	SEAT, var. models: numberplate
3040 1132	MOUNTING CLIP DOOR LINING	gf 100	61	1H0868244B	VW Golf: door lining
3040 1134	MOULDING CLAMP	gf 100	62	171853585	VW Golf: moulding
3040 1145	MOUNT.VENTILAT.GRILLE BONNET	gf 100	63	1H0819055B	AUDI, VW, var. models: vent. grille
3040 1146	MOUNT.VENTILAT.GRILLE BONNET	fH 300	64	1H0819055C	VW Golf III: ventilation grille
3040 1150	SELF-CUTTING NUT 4.8SW GALV.	fH 300	65	N0386021	AUDI, VW, var. models
3040 1151	REAR BUMPER SCREW BLACK 6X17	z 50	66	6N0807199	AUDI, VW, var. models: rear bumper
3040 1154	INNER LINING CLIP 1154	fH 300	67	357867646	AUDI, VW, var. models: inner lining
3040 1155	INNER LINING CLIP 1155	fH 300	68	1H0867199	AUDI, VW, var. models: inner lining
3040 1174	SOUND INSULATION BONNET	gf 100	69	1H5863849	AUDI, VW, var. models: bonnet
3040 1187	MOUNTING UPHOLSTERY CEILING	fH 300	70	321867838	AUDI, VW, var. models: interior
3040 1188	MOUNTING WHEEL HOUSING	gf 100	71	N90833801	AUDI, VW, var. models: wheel housing
3040 1194	MOUNTING CLIP WHEEL HOUSING	fH 300	72		AUDI, VW, var. models: wheel housing
3040 1195	MOUNTING WHEEL HOUSING LINING	fH 300	73	N90474001	AUDI, VW, var. models: wheel housing
3040 1196	MOUNTING CLIP WHEEL HOUSING	fH 300	74	441955973B	AUDI, VW, var. models: wheel housing
3040 1219	MOUNTING WINDSCREEN YELLOW	z 50	75	1M0854541A	SEAT, Toledo, Leon: screen
3040 1220	MOUNTING WINDSCREEN BLACK	gf 100	76	1M0854719A	SEAT, Toledo, Leon: screen
3040 1223	CLAMPING DEVICE WINDOW LIFTER	1	77*		AUDI, VW, var. models: window

(+ = multi-part set, * = not imaged in original size)

Fixing Parts AUDI, VW, SEAT, SKODA (VW AG)



Article No.	Article Description	QTY	Pict.	OEM No.	Vehicle Application
3040 1224	REPAIR KIT WINDOW LIFTER	1	78+*		AUDI, VW, var. models: window
3040 1225	REPAIR HEADLIGHT RIGHT	1	79+*		VW Golf IV: headlight
3040 1226	REPAIR HEADLIGHT LEFT	1	80+*		VW Golf IV: headlight
3040 1236	REPAIR KIT WINDOW LIFTER	1	81+*		SEAT, Ibiza, Leon: window
3040 1237	REPAIR WINDOW LIFTER	1	82+*		AUDI, VW, var. models: window
3040 1238	REPAIR WINDOW LIFTER DOOR LEFT	1	83+*		AUDI, VW, var. models: window
3040 1239	REPAIR WIND.LIFTER DOOR RIGHT	1	84+*		AUDI, VW, var. models: window
3040 1240	REPAIR WINDOW LIFTER	1	85+*		SKODA, Oktavia: window
3040 1241	CLAMPING DEVICE WINDOW LIFTER	1	86*		SKODA, var. models: window
3040 1243	MOUNTING LINING BONNET	gf 100	87	4B5827584	AUDI, VW, var. models: bonnet
3040 1244	INNER LINING CLIP 1244	gf 100	88	4A0857610	AUDI, VW, var. models: inner lining
3040 1247	MOUNTING LOGO	gf 100	89	8D0853622	AUDI, VW, AUDI A4: company logo
3040 1248	MOUNTING CLIP LOGO	gf 100	90	865853231A	AUDI, VW, var. models: company logo
3040 1254	INNER LINING CLIP RED 1254	gf 100	91	1J0853120	AUDI, VW, var. models: inner lining
3040 1255	REPAIR WINDOW LIFTER	1	92+*		AUDI A2: window lifter
3040 1256	REPAIR WINDOW LIFTER	1	93+*		AUDI A3/A6: window lifter

(+ = multi-part set, * = not imaged in original size)

Fixing Parts AUDI, VW, SEAT, SKODA (VW AG)



Article No.	Article Description	QTY	Pict.	OEM No.	Vehicle Application
3040 1257	REPAIR WINDOW LIFTER 3-PIECE	1	94+*		AUDI A4 from year 2002: window lifter
3040 1260	MOUNTING INNER LINING	fH 300	95	357863119	AUDI, VW, var. models: inner lining
3040 1265	MOUNTING ROD BLACK DOOR	gf 100	96	8L0853909	AUDI A3: door
3040 1266	MOUNTING ROD WHITE DOOR	gf 100	97	8D0853909B	AUDI A4: door
3040 1273	MOUNTING DOOR LINING	fH 300	98	N10516801	AUDI, VW, var. models: door
3040 1274	MOUNTING WHEEL HOUSING	fH 300	99	811807577B	AUDI, VW, var. models: wheel housing
3040 1277	MOUNTING NUT SPOILER	gf 100	100	N10579101	AUDI, VW, var. models: spoiler
3040 1279	REPAIR HEADLIGHT RIGHT	1	101+*8E0998122		AUDI A4: headlight
3040 1280	REPAIR HEADLIGHT LEFT	1	102+*8E0998121		AUDI A4: headlight
3040 1281	REPAIR HEADLIGHT RIGHT/LIGHT	1	103	8L0998121	AUDI A3: headlight
3040 1282	REPAIR WINDOW LIFTER	1	104+*		SEAT, Cordoba: window
3040 1283	MOUNTING BLACK DOOR LINING	gf 100	105	6K0868243	AUDI, VW, var. models: door
3040 1284	MOUNTING WHITE DOOR LINING	gf 100	106	6K0868243A	AUDI, VW, var. models: door
3040 1302	DOOR LOCK LEVER 50.1MM	z 50	107	6K3837223	AUDI, VW, var. models: door
3040 1303	DOOR LOCK LEVER 56.1MM	z 50	108	1H0837223B	AUDI, VW, var. models: door
3040 1304	DOOR LOCK LEVER 71.3MM	z 50	109	6K4837223	AUDI, VW, var. models: door
3040 1305	DOOR LOCK LEVER 67.6MM	z 50	110	6K4837223A	AUDI, VW, var. models: door
3040 1316	CABLE TIE 3.6X140MM WITH CLIP	fH 300	111*		AUDI, VW, var. models: cable
3040 1317	CABLE TIE 3.6X200MM WITH CLIP	fH 300	112*	6K0971898D	AUDI, VW, var. models: cable
3040 1318	MOUNT.WITH RUBBER LIP BUMPER	gf 100	113	N10621301	AUDI, VW, var. models: bumper
3040 1319	MOUN.CLIP RAIN PROT.STRIIP DOOR	gf 100	114	8L3837199B	AUDI, VW, var. models: door
3040 3001	SPR.RIVET PLAST. 7.9X12.0 B16	gf 100	115	16186729901C, N0385491	AUDI, VW, var. models
3040 3002	SPR.RIVET PLAST.5.8X11.4 B10	gf 100	116	N0385012	AUDI, VW, var. models

(+ = multi-part set, * = not imaged in original size)

Fixing Parts AUDI, VW, SEAT, SKODA (VW AG)



Article No.	Article Description	QTY	Pict.	OEM No.	Vehicle Application
3040 3005	SPR.RIVET PLAST.13.0X17.4 B20	gf 100	117	8L0807300	AUDI A3 from 1997: bumper
3040 3007	SPR.RIV.PLAST.7.8X11.0 B12.3	gf 100	118	N0385501	AUDI, VW:, var. models
3040 3012	PLST.SPREAD NUT 7.4X6.6 3012	gf 100	119	867809966	AUDI, VW, var. models
3040 3013	PLST.SPREAD NUT 8.0X8.0 3013	gf 100	120	357827998	AUDI, VW, var. models
3040 3014	SPR.RIVET PLAST. 5.0X11.5 B10	gf 100	121	N10259301	AUDI, VW, var. models
3040 3015	PLST.SPREAD NUT 7.0X7.0 3015	gf 100	122	811807577F	AUDI, VW, var. models
3040 3016	SPR.RIV.W.CAP PLAST.6.5X15 B15	gf 100	123	N90359101	VW Golf
3040 3018	SPR.RIVET PLAST. 5.8X11.4 B20	gf 100	124	N0385011	AUDI, VW, var. models
3040 3019	SPR.RIVET PLAST. 7.0X16.0 B18	gf 100	125	171885767	AUDI, VW, var. models
3040 3020	SPR.RIVET PLAST. 3.5X8.0 B8	gf 100	126	113857117B	AUDI, VW, var. models
3040 3021	PLST.SPREAD NUT 7.0X7.0 3021	gf 100	127	811807577C	AUDI, VW, var. models
3040 3022	PLST.SPREAD NUT 7.5X7.5 3022	gf 100	128	N90821401	AUDI, VW, var. models
3040 3030	PLASTIC NUT FOR COARSE THREAD	gf 100	129	171201969	AUDI, VW, var. models
3040 3051	SQUARE SCRIVET	fH 300	130	1H0867199A	VW Golf
3040 3054	SCRIVET INNER LINING	gf 100	131	3338676334FB	AUDI, VW, var. models: inner lining
3040 3059	SCRIVET WINDSCREEN	gf 100	132	6K0819285B41	SEAT, Ibiza: screen
3040 3063	SCRIVET INNER LINING	fH 300	133	1H0819145B41	AUDI, VW, var. models: inner lining
3040 3080	SPR.RIV.W.CAP PLST.8.0X21 B20	gf 100	134	8E0825267	VW Golf IV, Golf V, Passat
3011 20	WINDOWLIFTER-REPAIR-SET VW	1	135+*		VW Golf, Bora from 1997: window lifter

(+ = multi-part set, * = not imaged in original size)

Fixing Parts BMW



Article No.	Article Description	QTY	Pict.	OEM No.	Vehicle Application
1302 48 16	COM.SH.MET.SCR.W.WASH.GA4.8X16	HR 500	1	07119916946, 07119901294	BMW, var. models
1302 48 16 1	COM.SH.MET.WASH.BLACK GA4.8X16	HR 500	2	07147129160	BMW, var. models
1302 48 19	COM.SH.MET.SCR.W.WASH.GA4.8X19	HR 500	3	07119916949	BMW, var. models
1302 63 19	SHEET MET.SCR.W.WASH.GA 6.3X19	HR 500	4	07119916967	BMW, var. models
2290 42	SHEET-MET.NUT 4.2 16.50X11.20	H 300	5	07129925709, 07129901644	BMW, var. models
2290 48	SHEET-MET.NUT 4.8 16.00X14.50	H 300	6	07129925713, 07129901649	BMW, var. models
2290 48 1	SHEET-MET.NUT 4.8 16.50X11.30	H 300	7	07129925712	BMW, var. models
2290 48 2	SHEET-MET.NUT 4.8 18.25X16.00	H 300	8	07129925737, 07129901651	BMW, var. models
2290 48 3	SHEET-MET.NUT 4.8 20.00X12.00	H 300	9	07129925738, 07129901654	BMW, var. models
2290 56	SHEET-MET.NUT 5.6 20.20X13.30	H 300	10	07129925720	BMW, var. models
2290 65	SHEET-MET.NUT 6.5 25.20X16.20	H 300	11		BMW, var. models
3040 1023	UPHOLSTERY CLIP ZI FLAT	gf 100	12	51416654189	BMW, var. models
3040 1033	INTERIOR TRIM CLIP 1033	gf 100	13	51411973500	BMW, var. models
3040 1034	FIR TREE CLIP 20X2.5X20	gf 100	14	51471904317	BMW, E23, E24, E28
3040 1035	INTERIOR TRIM CLIP 1035	gf 100	15	51411870718	BMW, E12, E23, E24, E28
3040 1036	MOULDING CLIP W.GROMMET YELLOW	gf 100	16	51131960054	BMW, E36, E46: moulding
3040 1037	WINDOW COVER E34 SPREAD RIVET	gf 100	17	51711928946	BMW, E32, E34: screen
3040 1039	MOULDING CLIP DOOR PROT.STRIPS	gf 100	18	51131946258	BMW, E34: moulding
3040 1040	PLASTIC CLIP FOR GRILL	gf 100	19	51718108613	BMW, E31, E36: decorative grid
3040 1041	INTERIOR TRIM CLIP 1041	gf 100	20	07147145753	BMW, var. models
3040 1042	HEADLAMP SETTING CLIP TWO	1	21	63120027924	BMW, var. models: headlight
3040 1053	MOULDING CLIP COVER.1053	gf 100	22	51471840961	BMW, E21, E23, E30, E36: moulding
3040 1072	INNER LINING CLIP 1072	fH 300	23		BMW, var. models
3040 1192	CABLE FIXING	z 50	24		BMW, var. models: cable
3040 1194	MOUNTING CLIP WHEEL HOUSING	fH 300	25		BMW, var. models: wheel housing

Fixing Parts BMW



Article No.	Article Description	QTY	Pict.	OEM No.	Vehicle Application
3040 1200	MOULDING CLIP YELLOW	z 50	26	51138166675	BMW, E38: moulding
3040 1201	MOUNTING WIPER BLADES	gf 100	27	51311938494	BMW, E34: screen
3040 1203	MOUNTING LINING 6MM	fH 300	28	16131176747	BMW, var. models: lining
3040 1246	MOUNTING WINDOW LIFTER	z 50	29	51321938884	BMW, E34, E36, M40: screen
3040 1297	MOUNTING NUT WHEEL HOUSING	fH 300	30	51711958025	BMW, var. models: wheel housing
3040 3011	SPR.RIV.W.CAP PLAST.6.5X17 B20	gf 100	31	51118174185	BMW, E38, E39
3040 3014	SPR.RIVET PLAST. 5.0X11.5 B10	gf 100	32	51161881149	BMW, E12, E23, E24, E28, E30
3040 3016	SPR.RIV.W.CAP PLAST.6.5X15 B15	gf 100	33	51111908077	BMW, E30, E32, E36
3040 3023	SPR.RIV.W.CAP PLAST.8.7X14 B20	gf 100	34	51471911992	BMW, E30, E34, E36, E38, E39
3040 3024	RIV.WITHO.CAP PLAST.6.5X15 B20	gf 100	35	5111944537	BMW, E34, E36, E38
3040 3025	SPR.RIV.W.CAP PLST.6.5X20 B15	gf 100	36	51111964186	BMW, E30
3040 3026	SPR.RIV.W.CAP PLST.6.5X15 B20	gf 100	37	51481884779	BMW, E28, E30, E39
3040 3027	SCRIVET 6.3X11.3	gf 100	38		BMW, E31, E32, E34, E36: wh.hous.
3040 3029	PLASTIC SPREAD NUT TRANSPARENT	gf 100	39	63171367868	BMW, var. models
3040 3036	SCRIVET 5.9X5.6X15	gf 100	40	51131885399	BMW, E12
3040 3046	SPR.RIVET PLAST. 3.7X7.0 B8	fH 300	41		BMW, var. models
3040 4005	PLASTIC RIVETS 6.0X19.3MM	w 100	42	51717002953	BMW, var. models

Fixing Parts CITROEN, PEUGEOT (PSA)



Article No.	Article Description	QTY	Pict.	OEM No.	Vehicle Application
3040 1059	ALUMINIUM BLIND RIVET 7.5X28	z 50	1	6973A4	CITROEN, PEUGEOT, var. models
3040 1085	CABLE HOLDER 1	gf 100	2	6992T0	CITROEN, var. models: cable
3040 1086	CABLE HOLDER 2	gf 100	3	95556738	CITROEN, var. models: cable
3040 1087	INNER LINING CLIP 1067	fH 300	4	699251	CITROEN, PEUGEOT, var. models: door lining
3040 1094	INNER LINING CLIP 1094	fH 300	5	7903077167	CITROEN, PEUGEOT, var. models: inner lining
3040 1095	INNER LINING CLIP 1095	fH 300	6	699266	CITROEN, PEUGEOT, var. models: inner lining
3040 1096	INNER LINING CLIP 1096	fH 300	7	699515	CITROEN, PEUGEOT, var. models: inner lining
3040 1107	MOUNTING RADIATOR GRILL	fH 300	8		CITROEN, PEUGEOT, var. models: radiator grill
3040 1124	INNER LINING CLIP 1124	fH 300	9	699502	CITROEN, PEUGEOT, var. models: inner lining
3040 1127	GROMMET BLACK	fH 300	10		PEUGEOT, var. models
3040 1131	INNER LINING CLIP 1131	fH 300	11	699282	CITROEN, PEUGEOT, var. models: inner lining
3040 1133	GROMMET BLACK	fH 300	12	856517	CITROEN, PEUGEOT, var. models
3040 1144	HEADLIGHT-SETTING 50MM	1	13*	622479	CITROEN ZX, Saxo, PEUGEOT 107
3040 1148	INNER LINING CLIP 1148	fH 300	14	699645	PEUGEOT 405
3040 1149	INNER LINING CLIP 1149	fH 300	15	6995N7	CITROEN, PEUGEOT, var. models: inner lining
3040 1151	REAR BUMPER SCREW BLACK 6X17	z 50	16	742723	CITROEN, PEUGEOT, var. models: rear bumper
3040 1152	HEADLIGHT-SETTING CLIP C-15	ü 10	17	75510922	CITROEN C15: headlight
3040 1153	HEADLIGHT-SETTING 35MM	1	18*	96090463	CITROEN ZX, Saxo, PEUGEOT 107: headlight
3040 1156	MOUNTING DOOR-LOCK	z 50	19		CITROEN, PEUGEOT, var. models: door frame
3040 1157	MOUNTING DOOR-LOCK 1	z 50	20		CITROEN, PEUGEOT, var. models: door frame
3040 1158	MOUNTING DOOR-LOCK 2	z 50	21		CITROEN, PEUGEOT, var. models: door frame
3040 1159	MOULDING CLAMP LATERAL	fH 300	22	6999A2	CITROEN, var. models: strip
3040 1160	MOUNTING TAILGATE	fH 300	23	699050	CITROEN, PEUGEOT, var. models: tailgate
3040 1161	MOUNTING MOULDING BLACK	fH 300	24	856535	CITROEN, PEUGEOT, var. models: strip
3040 1162	MOUNTING MOULDING WHITE	fH 300	25	6995X3	PEUGEOT 206, 806: moulding
3040 1163	MOUNTING CLIP CEILING	fH 300	26	696634	CITROEN, PEUGEOT, var. models: ceiling

Fixing Parts CITROEN, PEUGEOT (PSA)



Article No.	Article Description	QTY	Pict.	OEM No.	Vehicle Application
3040 1167	MOUNTING STRIP BONNET	gf 100	27	6992P3	CITROEN, PEUGEOT, var. models: bonnet
3040 1168	MOULDING CLAMP	fH 300	28	856534	CITROEN, PEUGEOT, var. models: Leiste
3040 1171	MOUNTING HEADLIGHT-SLEEVE	z 50	29	622481	CITROEN, PEUGEOT, var. models: headlight
3040 1172	HEADLIGHT-SETTING SLEEVE	z 50	30	95583069	CITROEN AX, BX, ZX: headlight
3040 1173	HEADLIGHT-SETTING RING	z 50	31	95564656	CITROEN AX, BX, ZX: headlight
3040 1175	MOUNTING CLIP BLACK GLASS	z 50	32	922723	CITROEN, PEUGEOT, var. models: screen
3040 1176	MOUNTING CLIP WHITE GLASS	z 50	33	699993	CITROEN, PEUGEOT, var. models: screen
3040 1185	MOUNTING STRIP	gf 100	34	856520	PEUGEOT 306, 806: strip
3040 1198	INNER LINING CLIP 1198	fH 300	35	696640	CITROEN, PEUGEOT, var. models: inner lining
3040 1199	INNER LINING CLIP 1199	gf 100	36	9699575280	CITROEN, PEUGEOT, var. models: inner lining
3040 1208	MOUNTING DOOR LINING	fH 300	37	856540	CITROEN, PEUGEOT, var. models: door lining
3040 1212	MOUNTING WIPER BLADE	fH 300	38	6995S0	CITROEN Xsara: screen
3040 1213	INNER LINING CLIP 1213	fH 300	39	696639	CITROEN, PEUGEOT, var. models
3040 1214	MOUNTING DOOR LINING	fH 300	40	6995Y5	CITROEN, PEUGEOT, var. models: door lining
3040 1215	MOUNTING CLIP 1215	gf 100	41	7410E2	CITROEN Xantia, PEUGEOT 406, 407
3040 1216	MOUNTING DOOR LINING WHITE	fH 300	42	6991F4	CITROEN Xsara: door lining
3040 1217	MOUNTING DOOR LINING BLACK	fH 300	43	6991F5	CITROEN Xsara: door lining
3040 1218	MOUNTING DOOR LINING YELLOW	fH 300	44	6991F6	CITROEN Xsara: door lining
3040 1230	MOUNTING HEADLIGHT	z 50	45	781326	CITROEN, PEUGEOT, var. models: headlight
3040 1232	MOUNTING SOUND INSUL.BONNET	fH 300	46	6995V6	PEUGEOT 307: bonnet
3040 1249	MOUNTING SEAL.DOOR/BONNET	fH 300	47	699786	CITROEN, PEUGEOT, var. models: lining
3040 1251	MOUNTING DOOR LINING	fH 300	48	696633	CITROEN, PEUGEOT, var. models: door
3040 1259	MOUNTING CLIP WHEEL HOUSING	fH 300	49	7013J0	CITROEN, PEUGEOT, var. models: wheel housing
3040 1276	MOUNT.WHEEL HOUS.INNER LINING	fH 300	50	896477	CITROEN, PEUGEOT, var. models: inner lining
3040 1278	MOUNTING LINING TAILGATE	fH 300	51	6991T3	CITROEN, PEUGEOT, var. models: tailgate
3040 1301	FIR TREE CLIP 20X1.6X12.5	fH 300	52	6992C6	CIT., 1X, Xantia, C15, PEUGEOT 106, 306, 607

Fixing Parts CITROEN, PEUGEOT (PSA)



Article No.	Article Description	QTY	Pict.	OEM No.	Vehicle Application
3040 1320	FIR TREE CLIP 14X2X15	gf 100	53	8964.57	CIT. Picasso, Berlingo, PEU. 106, 306, 307, 405, 6
3040 1321	FIR TREE CLIP 12.5X2X17.5	gf 100	54	6995.15	CIT. ZX, Saxo, PEUGEOT 106, 306 Phase 2
3040 1322	COVER PLUG BLACK 11.8X2X18.5	gf 100	55	8326.N4	CITROEN, PEUGEOT 205 GTI, 806
3040 1323	COVER PLUG 11.95X1.75X10	gf 100	56	6992.K8	CITROEN, PEUGEOT, var. models
3040 1324	INNER LINING CLIP 1324	gf 100	57	6995.A3	CITROEN, PEUGEOT, var. models: inner lining
3040 1325	INNER LINING CLIP TRANSP.1325	gf 100	58	6991.S6	CITROEN, PEUGEOT 106, 405, 406, 806
3040 1326	INNER LINING CLIP TRANSP.1326	gf 100	59	6991.E8	CITROEN, PEUGEOT 206, 306 Phase 2
3040 1327	SCREW M6X20 SW10 SILVER	gf 100	60	6974.04	CITROEN, PEUGEOT, var. models
3040 1328	COVER PLUG BLACK 18.0X1.75X17	gf 100	61	699295	CITROEN, PEUGEOT 106, 306, 405, 605, 806
3040 1329	MOUNTING CLIP TRANSP.SEAL.WAS.	gf 100	62	812396	CITROEN, PEUGEOT, var. models: inner lining
3040 1335	ROTATIONAL FASTENER GEOMET1335	fH 300	63	7030.16	CIT. Berlingo, PEUGEOT 207, 807, Expert, Partner
3040 1336	CLAMP F.ROTAT.FASTENER 1336	fH 300	64	7030.18	CIT. Berlingo, PEUGEOT 207, 807, Expert, Partner
3040 3037	SPREAD NUT	fH 300	65	6987A7	CITROEN, PEUGEOT, var. models
3040 3043	SPR.RIVET PLAST.8.5X13.8 B16	fH 300	66	697334	CITROEN, PEUGEOT, var. models
3040 3047	SPR.RIVET PLAST.4.95X11.5 B10	fH 300	67	7903072170	CITROEN, PEUGEOT 205
3040 3055	SCRIVET BROWN	fH 300	68	153916	CITROEN Xantia, PEUGEOT 106, 306
3040 3057	SPR.RIV.W.CAP PLAST.6.4X14 B22	fH 300	69	699783	CITROEN, PEUGEOT, var. models
3040 3070	SPR.RIV.W.CAP PLST.8.0X14 B20	gf 100	70	9642874480	CITROEN, PEUGEOT, var. models
3040 3071	SPR.RIV.W.CAP PLST.8.0X9.4 B20	gf 100	71	7813.24	CITROEN, PEUGEOT, var. models
3040 3072	SPR.RIV.W.CAP PLST.4.5X11 B15	gf 100	72	Z000327504	CITROEN, PEUGEOT, var. models
3040 3073	SPR.RIVET PLAST. 5.8X10.0 B13	gf 100	73	697202	CITROEN, PEUGEOT, var. models
3040 3074	SPR.RIV.W.CAP PLST.8.0X13 B20	gf 100	74	9648975680	CITROEN, PEUGEOT, var. models
3040 3075	SCRIVET 6.2X9.5	gf 100	75	9633388780	CIT. C3, Xsara II, C4, C5, Picasso, C8, Berlingo, PEU.
3040 3076	SCRIVET 5.05X5.25X11.7	gf 100	76	9630090980	CITROEN C3, C4, C5, C8, PEUGEOT 307, 607, 807
3040 3077	SPR.RIVET PLAST. 3.9X8.5 B8	gf 100	77	697224	CITROEN Xsara, PEUGEOT 206, 306, 406
3040 3078	SCRIVET 5.8X14.2	gf 100	78	9613079480	CITROEN, PEUGEOT, var. models

Fixing Parts CHEVROLET



Article No.	Article Description		QTY	Pict.	OEM-Nr.	Vehicle Application
3040 1271	MOUNTING BUMPER	1271	z 50	1	94530624	CHEVROLET, var. models: bumper
3040 3061	SCRIVET LINING BUMPER	3061	z 50	2	94530623	CHEVROLET, var. models: bumper

Fixing Parts FIAT, LANCIA, ALFA (FIAT GROUP)



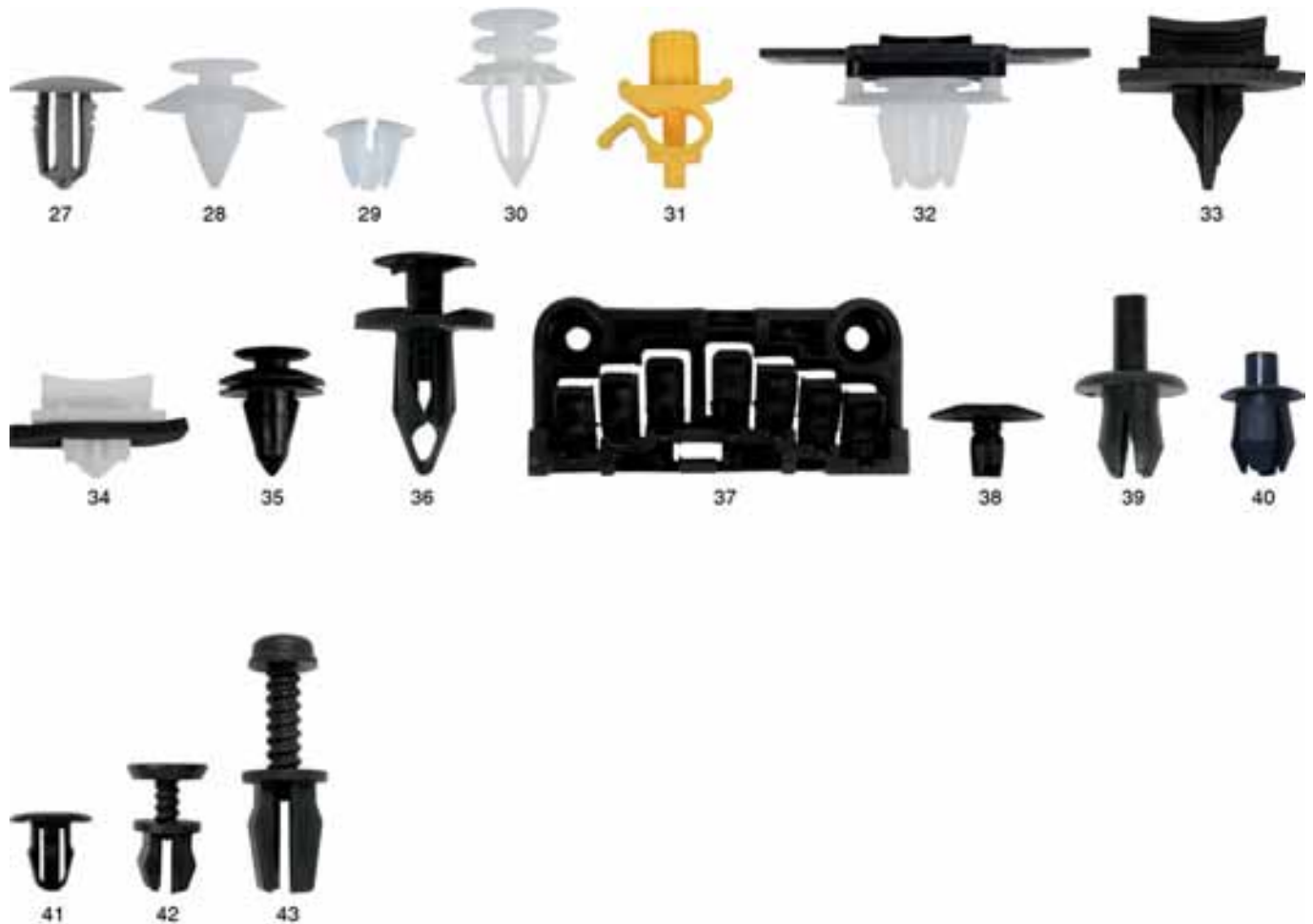
Article No.	Article Description	QTY	Pict.	OEM No.	Vehicle Application
2290 48 4	SH.ME.NUT 4.8 BLACK15.30X12.15	H 300	1	14368974	FIAT, var. models
2291 5 1	PLATE NUT M5 23.5X15.0X13.0	f 100	2	46473571	FIAT, var. models
2291 6 2	PLATE NUT M6 24.2X16.0X14.0	f 100	3	60811807	FIAT, var. models
3040 1070	INNER LINING CLIP 1070	fH 300	4	14188380	FIAT, var. models: inner lining
3040 1098	INNER LINING CLIP 1098	fH 300	5	14116890	FIAT, var. models
3040 1101	MOULDING CLAMP	gf 100	6	7078732	FIAT, var. models: moulding
3040 1111	WHEEL HOUSING SCREW 6X13	gf 100	7	10707524	FIAT, var. models: wheel housing
3040 1112	BUMPER SCREW 6X18	gf 100	8	7739729	FIAT, var. models: bumper
3040 1113	INNER LINING CLIP 1113	fH 300	9	14202383	FIAT, var. models: inner lining
3040 1119	MOUNTING DOOR LINING	fH 300	10	4399987	FIAT, var. models: door lining
3040 1130	FIR TREE CLIP 20X2X16.4	fH 300	11	82412036	FIAT, var. models
3040 1186	MOUNTING DOOR/BONNET	fH 300	12	9605146380	FIAT, var. models: door, bonnet
3040 1189	MOUNTING UPHOLSTERY	fH 300	13	7622606	LANCIA, Delta 93
3040 1221	MOULDING CLAMP 1221	fH 300	14	500326896	FIAT, var. models: strip
3040 1245	MOULDING CLAMP LATERAL	gf 100	15	71728806	FIAT, var. models: strip
3040 3038	SPREAD NUT	fH 300	16	14201980	FIAT, Punto 97 IE
3040 3039	SPREAD NUT 3.5	fH 300	17	14211580	FIAT, var. models
3040 3041	SPREAD NUT PLAST.8.0X16.0 B24	fH 300	18	129421	FIAT, var. models
3040 3042	SPREAD NUT 3.0	fH 300	19	14215480	FIAT, var. models
3040 3045	SCRIVET BLACK 3045	fH 300	20	7556533	FIAT, var. models
3040 3048	SCRIVET INNER LINING	fH 300	21	504056662	FIAT, var. models
3040 3052	SPREAD NUT PLAST. 6.0X9.5 B11	fH 300	22	14569187	FIAT, var. models
3040 3067	SPREAD NUT DOOR LINING	gf 100	23	46408953	FIAT, Punto 97 IE

Fixing Parts FORD



Article No.	Article Description	QTY	Pict.	OEM No.	Vehicle Application
1302 55 19	SH.MET.SCR.W.WASH.BLACK 5.5X19	HR 500	1	2026706	FORD, var. models
1302 63 19	SHEET MET.SCR.W.WASH.GA 6.3X19	HR 500	2	227336, 1473084	FORD, var. models
2040 6	FLANGE NUT WITH WASHER M6	HR 500	3		FORD, var. models
2040 8	FLANGE NUT WITH WASHER M8	HR 500	4		FORD, var. models
2290 32	SH.MET.NUT3.2 BLACK16.35X11.25	H 300	5	1474663	FORD, var. models
2290 63 2	SH.MET.NUT 6.3 23.15X17.19	H 300	6		FORD, var. models
2290 80	SH.MET.NUT 8.0 24.97X16.80	H 300	7	6103426	FORD, var. models
2291 5	PLATE NUT M5 20.4X15.0X10.5	f 100	8	E824115S74	FORD, var. models
3010 1	BODY TRIM RIVET T-BOLT	100	9	1571349	FORD, var. models
3011 3	RETAINING RING	100	10	6715468	FORD, var. models
3040 1025	INTERIOR TRIM CLIP YELLOW 1025	gf 100	11	1008068	FORD, var. models: inner lining
3040 1029	FIR TREE CLIP 14X2X15	gf 100	12	1489595	FORD, var. models
3040 1034	FIR TREE CLIP 20X2.5X20	gf 100	13	1079129	FORD, var. models
3040 1054	INNER LINING CLIP 1054	fH 300	14	6117693	FORD, var. models: inner lining
3040 1071	INNER LINING CLIP 1071	fH 300	15	6099812	FORD, var. models: inner lining
3040 1073	MOULDING CLAMP	gf 100	16	6040784	FORD, Fiesta: moulding
3040 1077	HEADLIGHT HOLDER RIGHT	ü 10	17	6186660	FORD, Fiesta: headlight
3040 1078	HEADLIGHT HOLDER LEFT	ü 10	18	6186659	FORD, Fiesta: headlight
3040 1088	FIR TREE CLIP GREY 18X3.0X17	fH 300	19	1018433	FORD, var. models
3040 1089	FIR TREE CLIP BLACK 18X3.0X17	fH 300	20	6725950	FORD, var. models
3040 1106	MOUNTING CLIP DOOR	gf 100	21	1659672	FORD, var. models: door
3040 1114	MOUNTING CLIP UPHOLSTERY	fH 300	22	1591426	FORD, var. models: upholstery
3040 1129	MOUNTING BONNET	fH 300	23	6448410	FORD, var. models: bonnet
3040 1137	MOUNT.CLIP RED WHEEL HOUSING	fH 300	24	6695013	FORD, var. models: wheel housing
3040 1165	MOUNT.DOOR LINING	fH 300	25	6176723	FORD, var. models: door lining
3040 1166	MOUNT.RADIATOR GRILL	fH 300	26	6078784	FORD, var. models: radiator grill

Fixing Parts FORD



Article No.	Article Description	QTY	Pict.	OEM No.	Vehicle Application
3040 1190	INNER LINING CLIP 1190	fH 300	27	1018434	FORD, var. models: inner lining
3040 1204	MOUNT.1 BUMPER	gf 100	28	1038008	FORD, var. models: bumper
3040 1205	MOUNT.2 BUMPER	gf 100	29	1031769	FORD, var. models: bumper
3040 1210	MOUNT.DOOR LINING	fH 300	30	1070107	FORD, var. models: door lining
3040 1231	MOUNT.STRIP BONNET	gf 100	31	1629999	FORD, var. models: bonnet
3040 1233	MOUNT.STRIP WINDSCREEN	z 50	32	1106903	FORD, Focus: screen
3040 1234	MOUNT.STRIP WINDSCREEN BLACK	z 50	33	4069906	FORD, Transit: screen
3040 1235	MOUNT.WINDSCREEN WHITE	z 50	34	4069907	FORD, Transit: screen
3040 1252	MOUNT.DOOR LINING	gf 100	35		FORD, var. models: door lining
3040 1253	MOUNT.GRILL WIPER BLADES	gf 100	36	1039463	FORD, var. models: wiper blade
3040 1263	MOUNT.WINDSCREEN	z 50	37	1022510	FORD, var. models: screen
3040 1264	MOUNT.GASKETS	fH 300	38		FORD, var. models: gasket
3040 3001	SPR.RIVET PLAST. 7.9X12.0 B16	gf 100	39		FORD, var. models
3040 3007	SPR.RIV.PLAST.7.8X11.0 B12.3	gf 100	40	7200671	FORD, var. models
3040 3044	SPREAD NUT 4.0	fH 300	41	1443038	FORD, var. models
3040 3053	SCRIVET WINDSCREEN	fH 300	42	6114021	FORD, var. models: wiper blade
3040 3056	SCRIVET TAILGATE	gf 100	43	6181023	FORD, var. models: tailgate

Fixing Parts HONDA



Article No.	Article Description	QTY	Pict.	OEM No.	Vehicle Application
3040 1202	MOUNT.STRIP WINDSCREEN	gf 100	1	91517SJ4003	HONDA, var. models: screen
3040 1242	MOUNT.WINDSCREEN	z 50	2	91508SM4003	HONDA, var. models: screen
3040 1258	MOUNT.STRIP RED WINDSCREEN	gf 100	3	91520SR3003	HONDA, var. models: screen
3040 1261	MOUNT.STRIP ORANGE WINDSCREEN	z 50	4	91511ST3E00	HONDA, var. models: screen
3040 1262	MOUNT.STRIP PINK WINDSCREEN	z 50	5	91525SM4003	HONDA, var. models: screen
3040 1268	MOUNT.CLIP RADIATOR GRILL	gf 100	6		HONDA, ver. Modelle: Kühlergrill
3040 3060	SCRIVET WHEEL HOUSING	z 50	7	91512SM4003	HONDA, ver. Modelle: Radhaus

Fixing Parts HYUNDAI



Article No.	Article Description	QTY	Pict.	OEM No.	Vehicle Application
3040 1293	MOULDING CLAMP LATERAL	z 50	1	8777028000	HYUNDAI, var. models: moulding clamp

Fixing Parts MERCEDES-BENZ



Article No.	Article Description	QTY	Pict.	OEM No.	Vehicle Application
1302 48 13	SHEET MET.SCR.W.WASH.GA 4.8X13	HR 500	1	91403204214	MERCEDES-BENZ, var. models
1302 63 19	SHEET MET.SCR.W.WASH.GA 6.3X19	HR 500	2	91403106203	MERCEDES-BENZ, var. models
2290 29	SHEET-MET.NUT 2.9 12.00X11.00	H 300	3	A0009944245	MERCEDES-BENZ, var. models
2290 40	SH.MET.NUT 4.0 YELL.18.00X10.1	H 300	4	0009940145	MERCEDES-BENZ, var. models
2290 48 1	SHEET-MET.NUT 4.8 16.50X11.30	H 300	5	0009940645	MERCEDES-BENZ, var. models
2291 5	PLATE NUT M5 20.4X15.0X10.5	f 100	6	A0029942045	MERCEDES-BENZ, var. models
2291 6 1	PLATE NUT M6 23.6X16.0X11.5	f 100	7	A0039941745	MERCEDES-BENZ, var. models
2291 9	PLATE NUT M8 27.5X18.0X13.0	f 100	8	A0039941545	MERCEDES-BENZ, var. models
3040 1034	FIR TREE CLIP 20X2.5X20	gf 100	9	A0009880328	MERCEDES-BENZ, var. models
3040 1043	GROMMET MOULDING CLIP 8.9X12.7	gf 100	10	0019887681	MB, W202: moulding
3040 1044	INTERIOR TRIM CLIP 1044	gf 100	11	0069884378	MB, var. models: inner lining
3040 1045	FIR TREE CLIP 20X2.75X12.5	gf 100	12	A0009974686, A0009880328	MERCEDES-BENZ, var. models
3040 1046	JACKPOINT SUPPORT	1	13	0019979586	MB, W124 from year 9/89: jack
3040 1047	INTERIOR TRIM CLIP 1047	gf 100	14	0039884178	MB, var. models: inner lining
3040 1048	MOULDING CLIP LINING MUDGUARD	gf 100	15	0019884981	MERCEDES-BENZ, W124: moulding
3040 1049	FIR TREE CLIP 14X1.6X12	gf 100	16	A0009912895	MERCEDES-BENZ, var. models
3040 1050	GROMMET RED 9.1X5.6	gf 100	17	0009881581	MERCEDES-BENZ, var. models
3040 1051	MOULDING CLIP 1051	gf 100	18	0019884681	MB, W124 from year 9/89: moulding
3040 1052	MOULDING CLIP 1052	gf 100	19	0069883078	MB, var. models: moulding
3040 1141	MOUNT.ROOF STRIP WHITE	z 50	20	2016980160	MB, var. models: roof strips
3040 1142	MOUNT.ROOF STRIP BLACK	z 50	21	2016980260	MB, var. models: roof strip
3040 1143	MOUNT.CLIP UPHOLSTERY	fH 300	22	6319842561	MB, var. models: upholstery
3040 1193	STRIP WIPER BLADES	z 50	23	6389840361	MB, var. models: wiper blade
3040 1196	MOUNTING CLIP WHEEL HOUSING	fH 300	24	0039900251	MB, var. models: wheel housing

Fixing Parts MERCEDES-BENZ



Article No.	Article Description	QTY	Pict.	OEM No.	Vehicle Application
3040 1203	MOUNTING LINING 6MM	fH 300	25	0039900251	MB, var. models: lining
3040 1297	MOUNTING NUT WHEEL HOUSING	fH 300	26	2019900050	MB, var. models: wheel housing
3040 3001	SPR.RIVET PLAST. 7.9X12.0 B16	gf 100	27	A0009902992	MERCEDES-BENZ, var. models
3040 3008	SPR.RIVET PLAST.8.0X15.0 B19	gf 100	28	A0019901692	MERCEDES-BENZ, var. models
3040 3009	SPR.RIVET PLAST.8.0X15.0 B13	gf 100	29	9903792	MERCEDES-BENZ, W123, truck
3040 3014	SPR.RIVET PLAST. 5.0X11.5 B10	gf 100	30	0009903492	MERCEDES-BENZ, var. models
3040 3016	SPR.RIV.W.CAP PLAST.6.5X15 B15	gf 100	31	A0009905492	MERCEDES-BENZ, var. models
3040 3023	SPR.RIV.W.CAP PLAST.8.7X14 B20	gf 100	32	2019900292	MERCEDES-BENZ, var. models
3040 3027	SCRIVET 6.3X11.3	gf 100	33	1269900392	MB, W123, 124, 201, 140, 126: wh.hous.
3040 3028	RIV.WITHO.CAP PLAST.7.5X24 B13	gf 100	34	6419900092	MERCEDES-BENZ, truck JK from '89
3040 3029	PLASTIC SPREAD NUT TRANSPARENT	gf 100	35	0009881625	MERCEDES-BENZ, W201
3040 3031	SPR.RIVET PLAST. 5.5X8.0 B10	gf 100	36	0009900392, 0009902292	MERCEDES-BENZ, var. models
3040 3032	SPR.RIV.W.CAP PLST.8.3X10 B12	gf 100	37	1239900092	MERCEDES-BENZ, var. models
3040 3033	SCRIVET 6.2X15.2	gf 100	38	0009904692	MERCEDES-BENZ, var. models
3040 3034	SCRIVET 4.5X11.2	gf 100	39	0009904092, 1249900592	MERCEDES-BENZ, var. models
3040 3035	SCRIVET 4.9X4.9X11	gf 100	40	0009904492	MERCEDES-BENZ, var. models
3040 3040	SPR.RIVET PLAST.5.0X14.5 B10	fH 300	41	6389840261	MERCEDES-BENZ, var. models
3040 3045	SCRIVET BLACK 3045	fH 300	42	6389900492	MERCEDES-BENZ, var. models
3040 3058	MOUNT.WINDSCREEN P-306	fH 300	43	1239900292	MB, var. models: screen
3040 3069	SCRIVET BLACK	gf 100	44	A1639900292	MERCEDES-BENZ, ML

Fixing Parts MITSUBISHI



Article No.	Article Description	QTY	Pict.	OEM No.	Vehicle Application
3040 1294	MOULDING CLAMP WINDSCREEN	z 50	1	MB313984	mitsubishi, var. models: screen
3040 1295	MOUNTING CLIP UPHOLSTERY	fH 300	2	MB293328	mitsubishi, var. models: upholstery
3040 3023	SPR.RIV.W.CAP PLAST.8.7X14 B20	gf 100	3	M820141	mitsubishi, var. models

Fixing Parts NISSAN



Article No.	Article Description	QTY	Pict.	OEM No.	Vehicle Application
3040 1197	MOUNTING CLIP 1197	fH 300	1	SS070069A	NISSAN, var. models
3040 1267	MOUNTING STRIP WHEEL HOUSING	gf 100	2	0155302903	NISSAN, var. models: wheel housing
3040 1296	MOUNTING CLIP BUMPER	z 50	3	0155309241	NISSAN, var. models: bumper
3040 3064	SPR.RIV.PLAST. 7.9X16.1 B24	z 50	4	0155300051	NISSAN, var. models

Fixing Parts OPEL



Article No.	Article Description	QTY	Pict.	OEM No.	Vehicle Application
3010 1	BODY TRIM RIVET T-BOLT	100	1	164361	OPEL, var. models: moulding
1302 63 19	SHEET MET.SCR.W.WASH.GA 6.3X19	HR 500	2	2022203	OPEL, var. models
3040 1010	COVER PLUG FOR BONNET 22X18	gf 100	3	1162488	OPEL, var. models: bonnet
3040 1011	FIR TREE CLIP 28X2X16	gf 100	4	1162484	OPEL, var. models
3040 1012	CABLE TIE WITH FOOT 132X4.8MM	gf 100	5	1288888	OPEL, var. models: cable
3040 1034	FIR TREE CLIP 20X2.5X20	gf 100	6	2207713	OPEL, var. models
3040 1084	MOULDING CLAMP	z 50	7		OPEL, var. models: moulding
3040 1092	HEADLIGHT MOUNTING TRANSPARENT	gf 100	8	1217801	OPEL, var. models: headlight
3040 1164	MOUNT.HEADLIGHT	gf 100	9	1218604	OPEL, var. models: headlight
3040 1209	INNER LINING CLIP 1209	fH 300	10		OPEL, var. models: inner lining
3040 1229	MOUNT.DOOR LINING	fH 300	11	2345957	OPEL, var. models: door lining
3040 1320	FIR TREE CLIP 14X2X15	gf 100	12	2338955, 90431553	OPEL, var. models
3040 3001	SPR.RIVET PLAST. 7.9X12.0 B16	gf 100	13	1104880	OPEL, var. models
3040 3002	SPR.RIVET PLAST.5.8X11.4 B10	gf 100	14	1719242	OPEL, var. models
3040 3003	SPR.RIVET PLAST.5.5X11.0 B16	gf 100	15	2317703	OPEL, var. models
3040 3008	SPR.RIVET PLAST.8.0X15.0 B19	gf 100	16	1104882	OPEL, var. models
3040 3010	SPR.RIV.W.CAP PLAST.6.5X20 B20	gf 100	17	1400806, 90508809	OPEL, Corsa C, Zafira, Tigra, Signum, Meriva
3040 3015	PLST.SPREAD NUT 7.0X7.0 3015	gf 100	18	2240802, 90230846	OPEL, var. models

Fixing Parts RENAULT



Article No.	Article Description	QTY	Pict.	OEM No.	Vehicle Application
2290 35 1	SHEET-MET.3.5 CURV.15.10X8.0	H 300	1		RENAULT, var. models
2290 42 5	SHEET-MET NUT 4.2 14.97X14.10	H 300	2		RENAULT, var. models
2290 42 6	SH.MET.NUT4.2 BLACK16.00X14.00	H 300	3		RENAULT, var. models
2290 63 1	SH.MET.NUT 6.3 31.50X16.10	H 300	4		RENAULT, var. models
2290 63 3	SH.MET.NUT 6.3 22.70X15.23	H 300	5		RENAULT, var. models
2290 63 4	SH.MET.NUT 6.3 30.03X14.31	H 300	6	7703046012	RENAULT, var. models
2290 63 5	SH.MET.NUT6.3 BLACK18.20X16.00	H 300	7		RENAULT, var. models
3040 1055	INNER LINING CLIP 1055	fH 300	8	7703077250	RENAULT, var. models: inner lining
3040 1056	INNER LINING CLIP 1056	fH 300	9	7703077256	RENAULT, var. models: inner lining
3040 1082	SCREEN CLAMP	z 50	10	700838242	RENAULT, Clío: screen clamp
3040 1093	DOOR LOCK CLIP	gf 100	11	7701030059	RENAULT, var. models: door lock
3040 1097	ROOF STRIP CLAMP	z 50	12	7703077300	RENAULT, var. models: roof strip
3040 1099	MOUNT.LOGO BONNET	gf 100	13	7703081161	RENAULT, var. models: bonnet
3040 1100	GUTTER CLAMP	gf 100	14	7703077341	RENAULT, var. models: gutter
3040 1101	MOULDING CLAMP	gf 100	15	7701408860	RENAULT, var. models: moulding
3040 1102	BUMPER SCREW 6.3	gf 100	16	7703016264	RENAULT, var. models: bumper
3040 1103	BUMPER PLATE NUT 6.3	fH 300	17	7703046049	RENAULT, var. models: bumper
3040 1104	MOUNT.DOOR-STRIVE	gf 100	18	7701397164	RENAULT, var. models: door
3040 1105	SIDEBAR CLAMP	gf 100	19	7701408846	RENAULT, var. models: sidebar
3040 1109	MOULDING CLAMP LATERAL	gf 100	20	7703077362	RENAULT, Clío: strip
3040 1126	FIR TREE CLIP 24X2X31.5	fH 300	21		RENAULT, var. models
3040 1128	MOUNT.WHEEL HOUSING	fH 300	22	7703077225	RENAULT, var. models: wheel housing
3040 1135	SHEET MET.SCREW WITH WASHER	gf 100	23	7703016405	RENAULT, var. models
3040 1136	MOUNT.BUMPER SPOILER	gf 100	24	7703077080	RENAULT, var. models: bumper
3040 1138	MOUNT.STRIP BONNET	z 50	25	7703079328	RENAULT, var. models: bonnet
3040 1139	MOUNT.WINDOW LIFTER WHITE	gf 100	26	7700784690	RENAULT, var. models: window

Fixing Parts RENAULT



Article No.	Article Description	QTY	Pict.	OEM No.	Vehicle Application
3040 1140	MOUNT.WINDOW LIFTER BLACK	gf 100	27	7700757267	RENAULT, var. models: window
3040 1169	MOUNTING CLIP 1169	fH 300	28	7703077223	RENAULT, var. models
3040 1170	MOULDING CLAMP WHITE	fH 300	29	7703077309	RENAULT, var. models: strip
3040 1177	MOUNT.1 YELLOW STRIP LOCK	gf 100	30	7701408876	RENAULT, var. models: lock
3040 1178	MOUNT.2 YELLOW STRIP LOCK	gf 100	31	7701030058	RENAULT, var. models: lock
3040 1179	MOUNT.3 YELLOW STRIP LOCK	gf 100	32	7701030060	RENAULT, var. models: lock
3040 1180	MOUNT.4 YELLOW STRIP LOCK	gf 100	33	7701035664	RENAULT, var. models: lock
3040 1181	MOUNT.5 YELLOW STRIP LOCK	gf 100	34	7701408875	RENAULT, var. models: lock
3040 1182	MOUNT.1 STRIP DOOR OPENER	gf 100	35		RENAULT, var. models: door opener
3040 1183	MOUNT.2 STRIP DOOR OPENER	z 50	36	7700801556	RENAULT, var. models: door opener
3040 1184	MOUNT.3 STRIP DOOR OPENER	z 50	37	7700801557	RENAULT, var. models: door opener
3040 1206	MOUNT.DOOR LINING	fH 300	38	7703077354	RENAULT, Megane, Clio: door lining
3040 1207	MOUNT.STRIP DOOR	fH 300	39	7701047661	RENAULT, var. models: strip, door
3040 1211	MOUNT.SOUND INSUL.BONNET	gf 100	40	7703077444	RENAULT, var. models: bonnet
3040 1222	MOULDING CLAMP	gf 100	41	7703077448	RENAULT, Kangoo: strip
3040 1227	MOUNT.SOUND INSUL.BONNET	fH 300	42		RENAULT, var. models: bonnet
3040 1228	MOUNT.WHEEL HOUSING	fH 300	43	7703077435	RENAULT, var. models: wheel housing
3040 1250	MOUNT.DOOR LINING	fH 300	44		RENAULT, var. models: door lining
3040 1275	MOUNT.DOOR SEALING	fH 300	45		RENAULT, Megane: door sealing
3040 1321	FIR TREE CLIP 12.5X2X17.5	gf 100	46	7703077066	RENAULT, ZX
3040 1324	INNER LINING CLIP 1324	gf 100	47	7703077111	RENAULT, var. models: inner lining
3040 1330	COVER PLUG BLACK 16.0X1.5X20.0	gf 100	48	7703077153	RENAULT, Clio: cover plug
3040 1331	INNER LINING CLIP TRANSP./YELL	gf 100	49	7703077368	RENAULT, Clio: inner lining
3040 1332	MOULDING CLAMP GREY	gf 100	50		RENAULT, var. models: moulding
3040 1333	INNER LINING TRANSP./GREEN	gf 100	51	7701049008	RENAULT, var. models: inner lining
3040 1334	INNER LINING TRANSP./GREY	gf 100	52	7703077430	RENAULT, var. models: inner lining

Fixing Parts RENAULT



Article No.	Article Description	QTY	Pict.	OEM No.	Vehicle Application
3040 3006	SPR.RIV.PLAST.L.5.0X15.0 B10	gf 100	53	7703072144	RENAULT, var. models: wheel housing
3040 3014	SPR.RIVET PLAST. 5.0X11.5 B10	gf 100	54	7703072116	RENAULT, R5, R19: interior
3040 3049	SPR.RIVET PLAST. 4.7X7.5 B11	fH 300	55	7703072173	RENAULT, var. models
3040 3050	SPREAD NUT TRANSPARENT	fH 300	56		RENAULT, var. models
3040 3062	SCRIVET LINING	fH 300	57	7703072360	RENAULT, Clio II, Laguna II, Vel Satin
3040 3075	SCRIVET 6.2X9.5	gf 100	58	7703072327	RENAULT, var. models
3040 3076	SCRIVET 5.05X5.25X11.7	gf 100	59	7703072261	RENAULT, var. models
3040 3077	SPR.RIVET PLAST. 3.9X8.5 B8	gf 100	60	7703072224	RENAULT, var. models
3040 3079	SPR.RIVET PLAST. 4.5X13.0 B22	gf 100	61	7703072502	RENAULT, var. models
3040 3080	SPR.RIV.W.CAP PLST.8.0X21 B20	gf 100	62	7701049271	RENAULT Scenic

Fixing Parts SUZUKI



Article No.	Article Description	QTY	Pict.	OEM No.	Vehicle Application
3040 1300	INNER LINING CLIP 1300	z 50	1	09409073255PK	SUZUKI, var. models
3040 3065	SCRIVET INNER LINING	z 50	1	09409073035ES	SUZUKI, var. models

Fixing Parts TOYOTA, LEXUS (TMC)



Article No.	Article Description	QTY	Pict.	OEM No.	Vehicle Application
3040 1269	INNER LINING CLIP 1269	gf 100	1	9046710161	TOYOTA, var. models: inner lining
3040 1270	MOUNT.DOOR LINING	gf 100	2	9046710162	TOYOTA, LEXUS, var. models: door lining
3040 1272	MOUNT.BUMPER	z 50	3	9046708185	TOYOTA, var. models: bumper
3040 1285	MOUNT.STRIP WHEEL HOUSING	z 50	4	5387960010	TOYOTA, LEXUS, var. models: wheel housing
3040 1286	MOUNT.DOOR LINING 1286	z 50	5	6777110050	TOYOTA, var. models: door lining
3040 1287	MOUNT.CLIP WHITE UPHOLSTERY	z 50	6	7581910040	TOYOTA, ver. Modelle: Polster
3040 1288	MOUNT.CLIP BLACK UPHOLSTERY	gf 100	7	9046710091	TOYOTA, ver. Modelle: Polster
3040 1289	MOUNT.DOOR LINING 1289	gf 100	8	6777116170	TOYOTA, ver. Modelle: Türverkleidung
3040 1290	INNER LINING CLIP 1290	gf 100	9	9018906005	TOYOTA, ver. Modelle: Innenverkleidung
3040 1291	INNER LINING CLIP 1291	gf 100	10	9018906006	TOYOTA, ver. Modelle: Innenverkleidung
3040 1292	MOUNT.RUBBER BONNET	gf 100	11	9046708011	TOYOTA, ver. Modelle: Motorhaube
3040 1298	MOUNT.BUMPER	z 50	12	9046709093	TOYOTA, LEXUS, ver. Modelle: Stoßstange
3040 1299	MOUNT.BUMPER PROTECTION	z 50	13	9046709189	TOYOTA, ver. Modelle: Stoßstange
3040 3068	SPREAD NUT FRONT FLASHER	gf 100	14	9018904014	TOYOTA, ver. Modelle: Blinker

Fixing Parts VOLVO



Article No.	Article Description	QTY	Pict.	OEM No.	Vehicle Application
3040 3003	SPR.RIVET PLAST.5.5X11.0 B16	gf 100	1	3923475	VOLVO, var. models
3040 3023	SPR.RIV.W.CAP PLAST.8.7X14 B20	gf 100	2	30820141	VOLVO, var. models
3040 3027	SCRIVET 6.3X11.3	gf 100	3	1269900392	VOLVO, var. models: wheel housing
3040 3066	SPR.RIVET PLAST.7.8X13.7 B16	gf 100	4	9133417	VOLVO, var. models