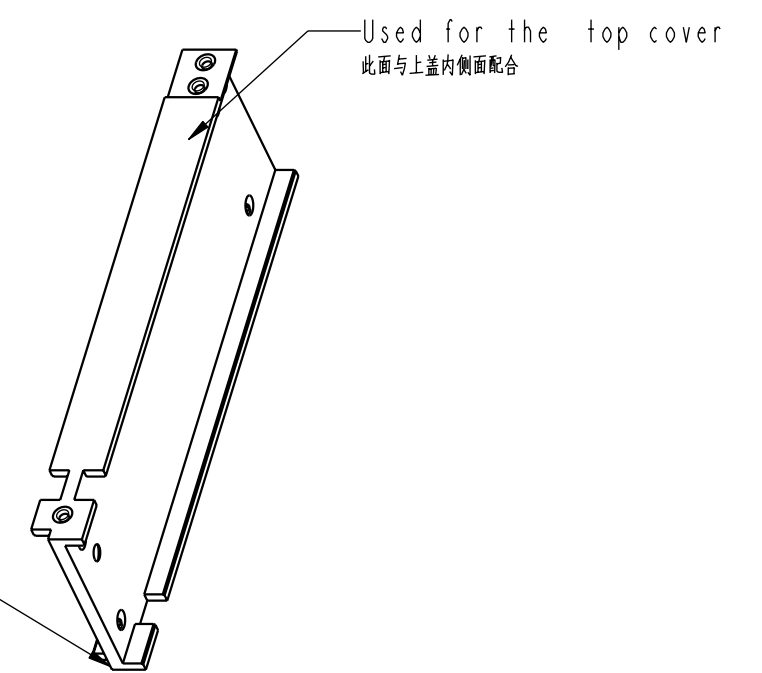
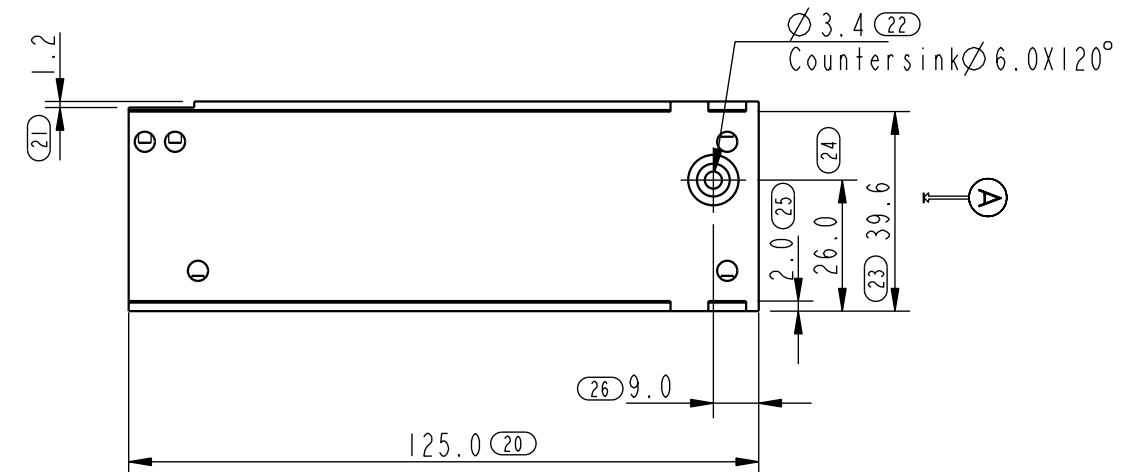
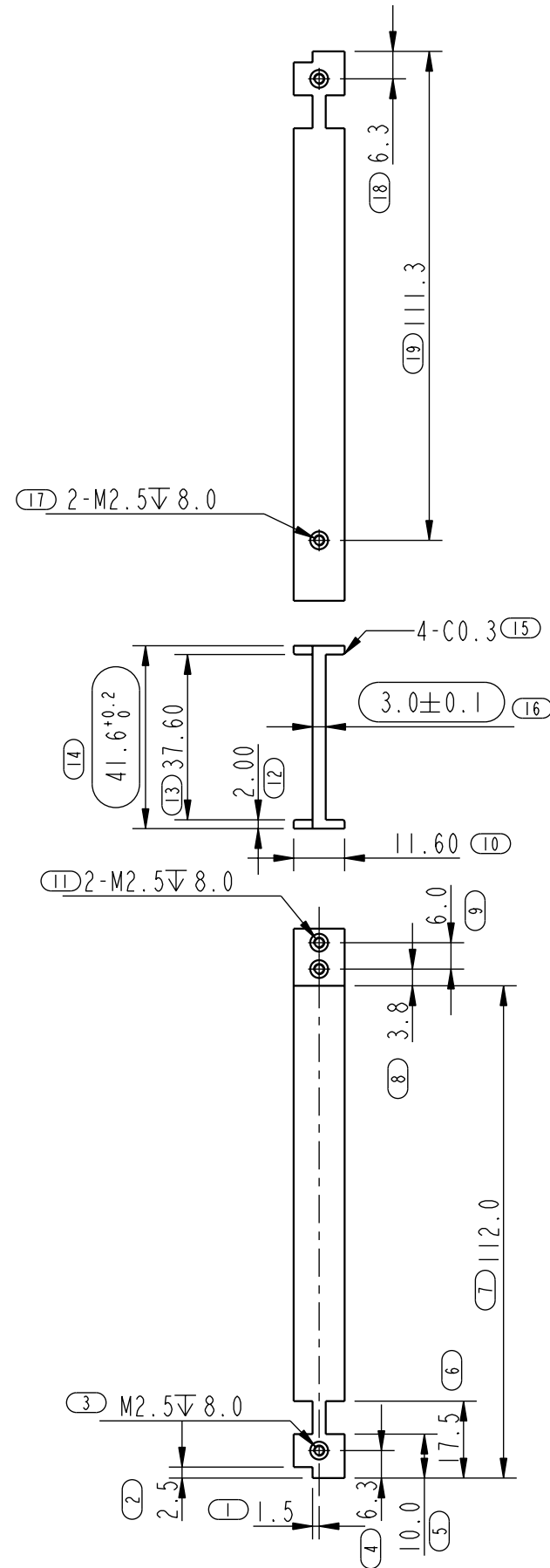


THIS PRODUCT IS RoHS COMPLIANT.

REV	ECN NO.	DESCRIPTION	ECN BY	DATE
A	/	初版发行	SongHanmei	2016.11.22



NOTE: ㉑为A级面

1, Other dimensions refer to the 3D model and DKBA00211114.drw.

其他尺寸请参考基准拉伸面图纸DKBA00211114(需参考尺寸已在此图面标注)

2, li is used for third surface

滑道为内部使用 除特殊说明为3级面管控

3, This drawing contains attachments, please refer to the compression package.

本图纸含有附件, 具体信息请参考压缩包。

附件说明: M2.5螺纹在滑道上攻丝 在滑道表面允许单边最大有0.2mm高凸包

X.	± 0.5		MATERIAL:	CUSTOMER	MODEL	FOXCONN Foxconn Technology Group		
.X	± 0.2		AI,6061-T6					
.XX	± 0.1	ANG $\pm 0.5^\circ$	UNITS: MM	CUSTOMER	REV	TITLE:		
THESE DRAWINGS AND SPECIFICATION ARE THE PROPERTY OF FOXCONN TECHNOLOGY GROUP AND SHALL NOT BE REPRODUCED, COPIED OR USED IN ANY MANNER WITHOUT THE PRIOR WRITTEN CONSENT OF FOXCONN TECHNOLOGY GROUP.			FINISH: L006	P/N	DKBA8.068.4368	B		
			DESIGNER: maxinping	APD: Wanggang 2016.11.22		H.H P/N:	REV	
			DATE: 16-Nov-16	CHK: SuoTao 2016.11.22		IB2879800-00E		A
			MASS: 0.05 Kg	DRW: Songhanmei 2016.11.22		SCALE: 2:3	SHEET: 1 / 1	

RELEASE LEVEL: [] Released []
FILE NAME: DKBA80684368