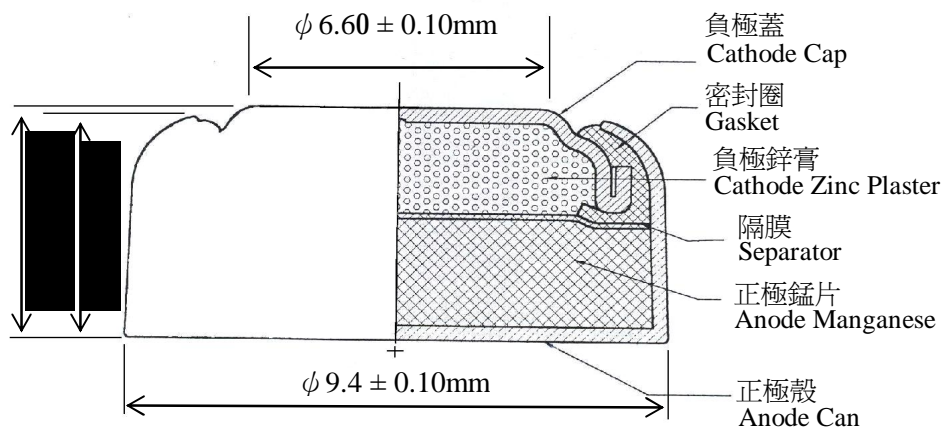


AG9/LR936 BUTTON CELL

DIMENSIONS:



NOMINAL VOLTAGE : 1.5 VOLT

APPROX. SERVICE CAPACITY : 62 mAh

APPROX. WEIGHT : 0.88 g

**RATED AT 15,000 OHMS LOAD TESTED AT 21°C WITHIN 30 DAYS OF MANUFACTURE.
SYSTEM : ZINC/MANGANESE DIOXIDE.**

ESTIMATED AVERAGE HOURS SERVICE AT 21°C

