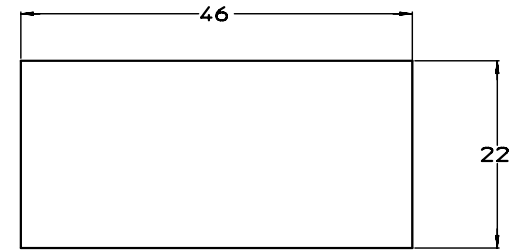
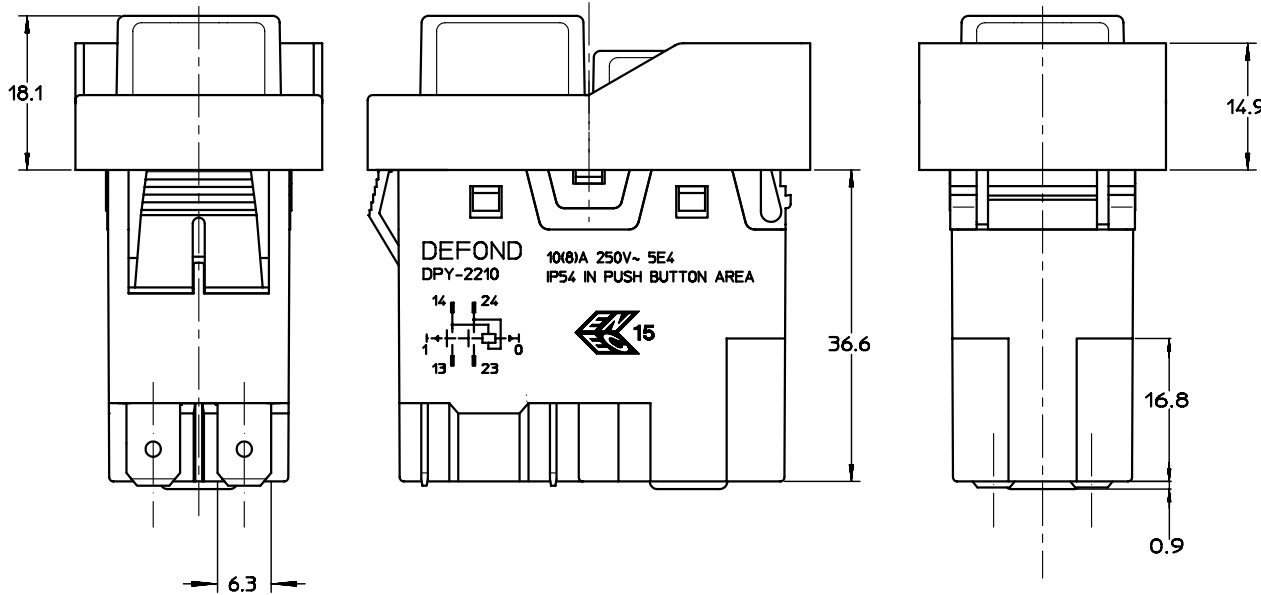


NOTES:

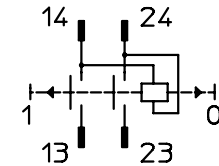
1. RATING: 10(8)A 250VAC 5E4
2. PANEL PORT: 22 x 46 (TYP.)
3. MAX. PLATE THICKNESS: 3.5 mm (TYP.)

MODEL NUMBER	HOUSING COLOR	ON BUTTON COLOR
DPY-2210-0-ABN21-000-01	BLACK	LIGHT GREEN
DPY-2210-0-ABN21-000-02	YELLOW	LIGHT GREEN
DPY-2210-0-ABN21-000-03	BLACK	GREEN

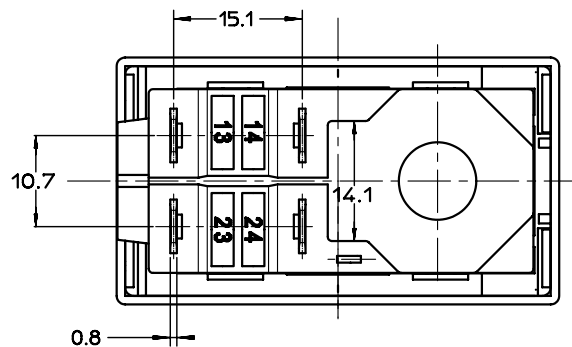
TABLE 1



PANEL CUTOUT (3.5mm THK.)



ELECTRICAL DIAGRAM



2		TABLE 1 IS ADDED	NELSON LUI	NELSON LUI	16 OCT. 2005
1	0	INITIAL RELEASE	NELSON LUI	NELSON LUI	22 Aug. 2005
REV.	REF.	DESCRIPTION	DWN.BY	CHK.BY	DATE
TITLE DPY-2210 ELECTROMAGNETIC-SWITCH			MATERIAL		
MODEL NO.	REFER TO TABLE 1	DWG. NO.	DWN.BY NELSON LUI	APP.BY NELSON LUI	
PART NO.		SCALE 1.5:1 (A3)	DATE 22 Aug. 2005	DATE 22 Aug. 2005	
TOLERANCE UNLESS OTHERWISE SPECIFIED X±0.20 .X±0.15 .XX±0.10 ∠±1° (UNIT IN MM)					