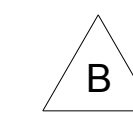
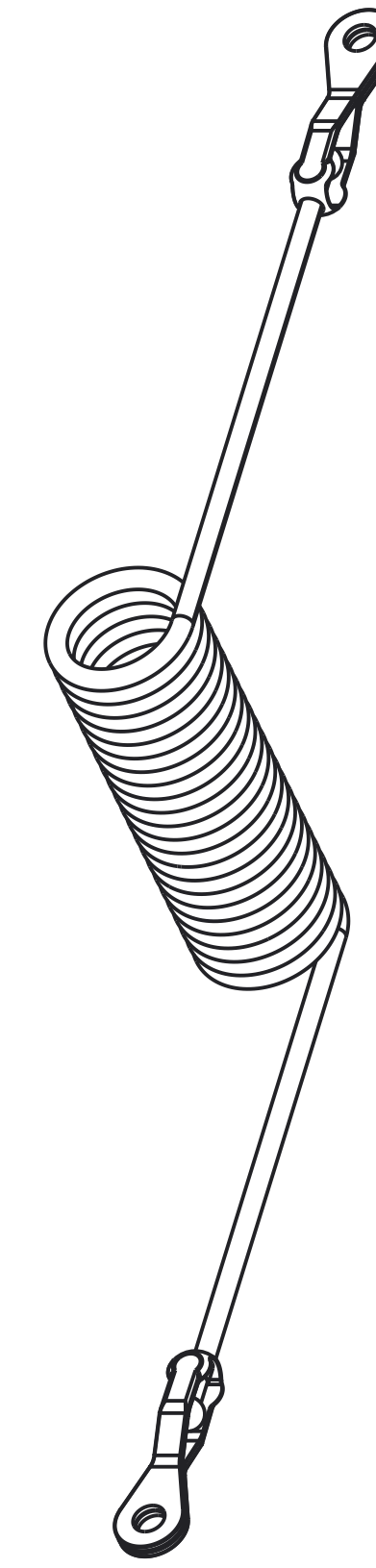
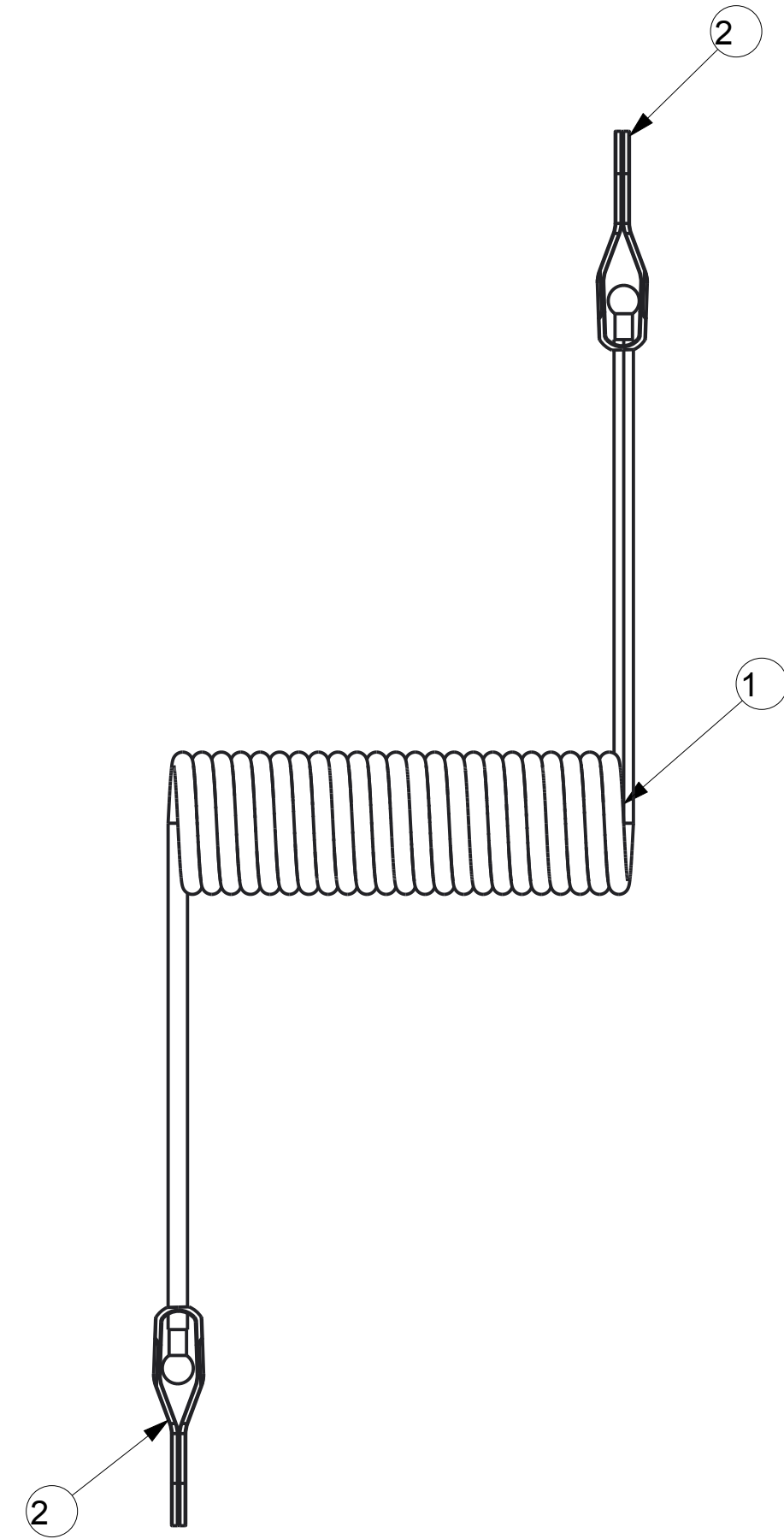
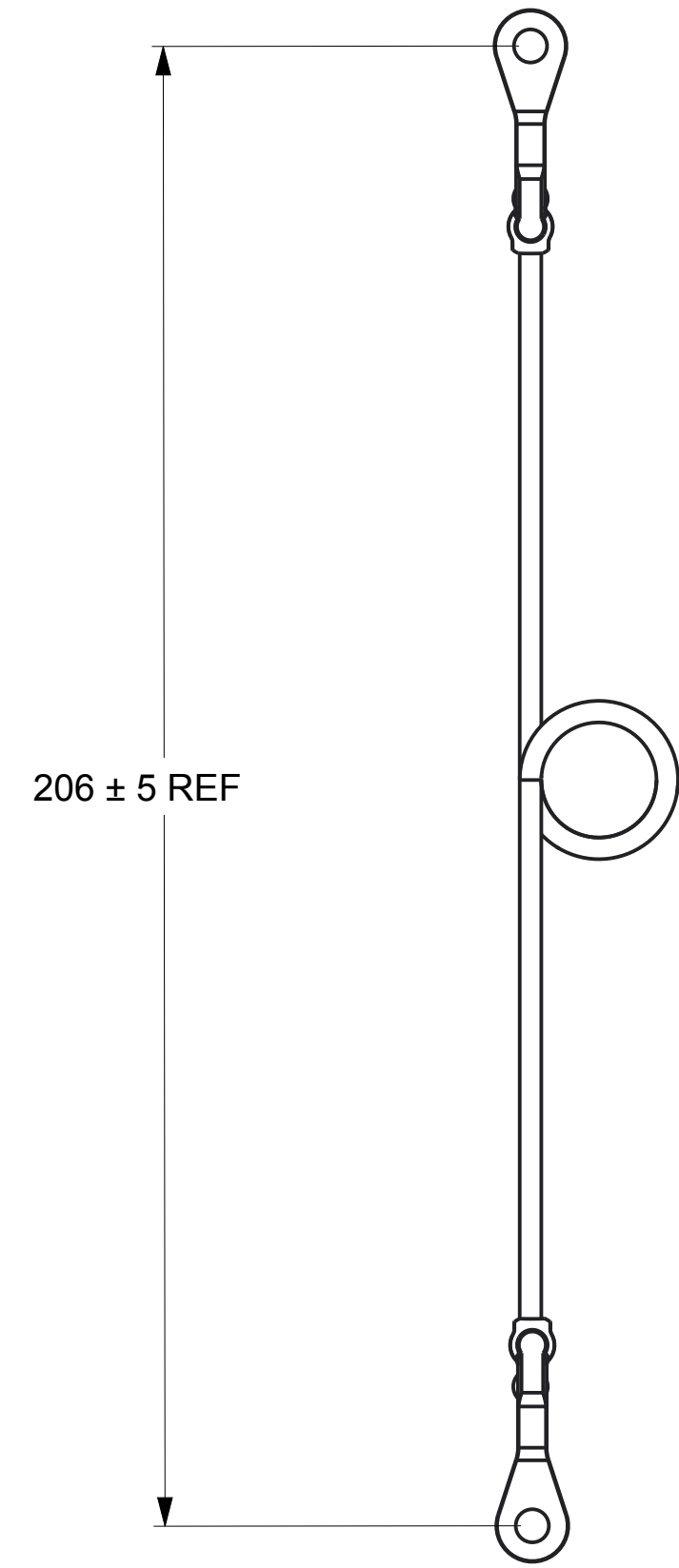


REV	DATE	DESCRIPTION	BY
A	2015-04-03	INITIAL RELEASE	SLR
B	2015-04-28	UPDATE CABLE ASSEMBLY LAYOUT AND NOTES	SLR



NOTES FOR ASSEMBLY F1481103: 组装F1481103注意事项

- ENSURE ITEM 2 (QTY 2) IS SECURELY ATTACHED TO ITEM 1
确保项目2 (2个) 和项目1安全连接在一起
- RANDOM SAMPLE OF 5 PIECES IN EACH LOT MUST PASS PULL TEST OF 80 LBS ON EACH END.
每批次随机抽查5件, 每件的两端要通过80磅的拉力测试。

ITEM	PART NAME	TITLE	MASS (GRAMS)	QTY
1	C90041	COILED LANYARD W/ BALL SHANK ON BOTH ENDS 螺旋绳 两端滚珠丝杆	13.343	1
2	F1107005	EYE TERMINAL 眼端	0.418	2

DESIGNER	SLR	LLD	PROJECT NAME	S3X KEY	
PRODUCT ENGINEER	SLR		TITLE	CABLE ASM	
MFG ENGINEER			DRAWING NO.	STATE	REVISION
SCALE	1.000	DWG SIZE	D	F1481103	In Work
SHEET 1 OF 1					B

THIS DRAWING AND THE RELATED DATA FILES ARE THE CONFIDENTIAL PROPERTY OF CHECKPOINT SYSTEMS, INC. AND ITS ALPHA HIGH THREAT SECURITY DIVISION. THIS DRAWING AND THE RELATED DATA FILES MAY NOT BE, IN WHOLE OR IN PART, REPRODUCED OR COPIED, PROVIDED TO OTHERS, OR USED IN ANY MANNER THAT IS INHERENT TO THE INTERESTS OF CHECKPOINT SYSTEMS, INC. AND WILL BE RETURNED OR DESTROYED UPON REQUEST BY CHECKPOINT SYSTEMS, INC. THE TERMS OF A NON-DISCLOSURE AGREEMENT WITH CHECKPOINT SYSTEMS, INC. APPLY TO THIS DRAWING AND THE RELATED DATA FILES.