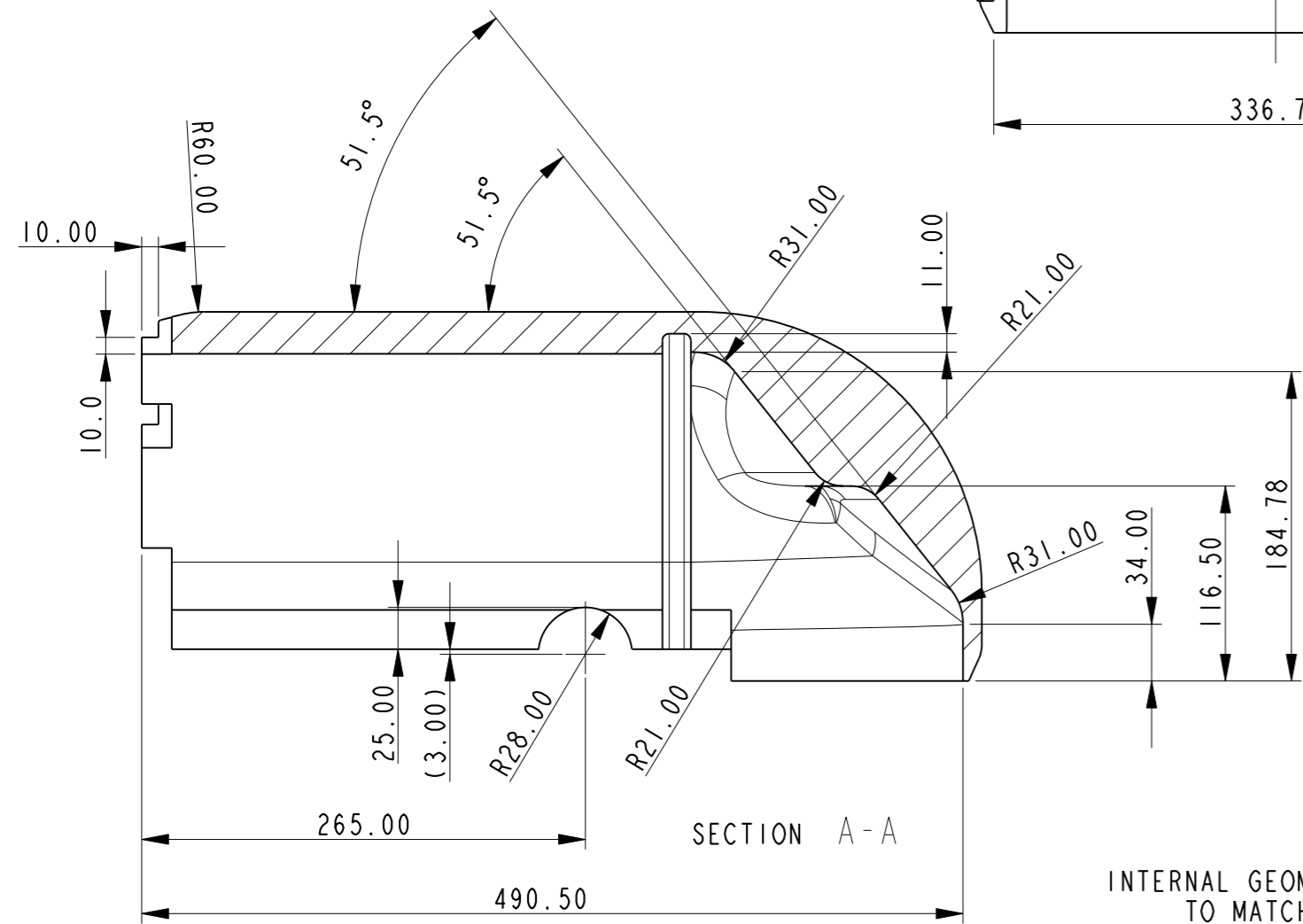
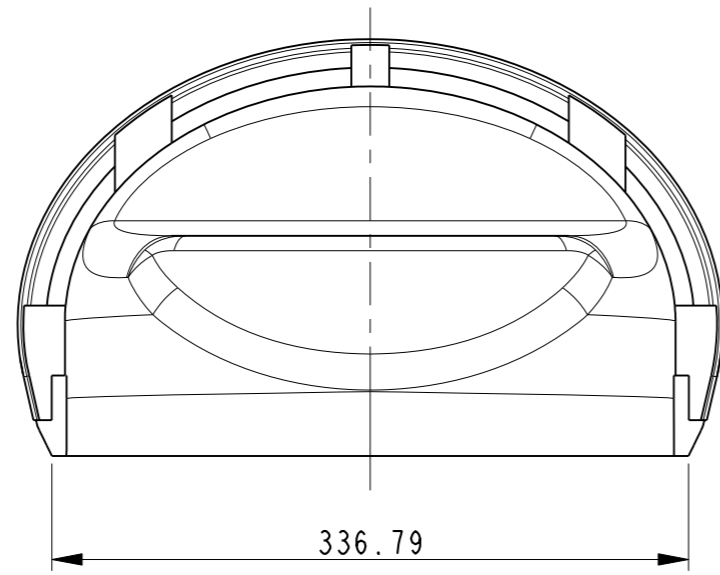
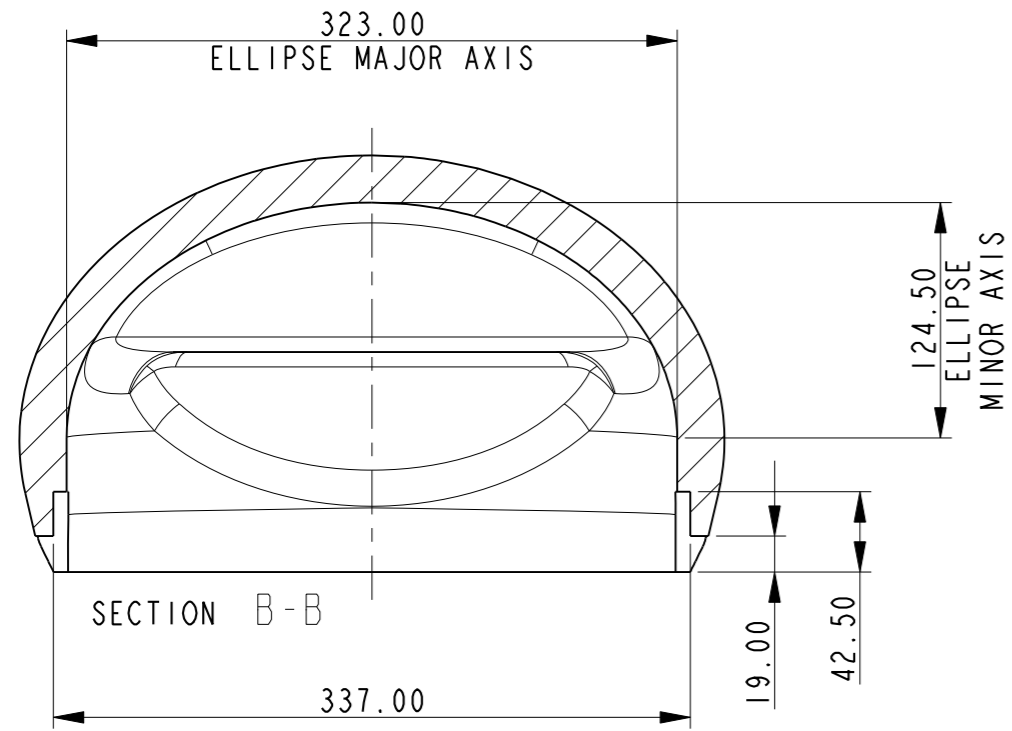
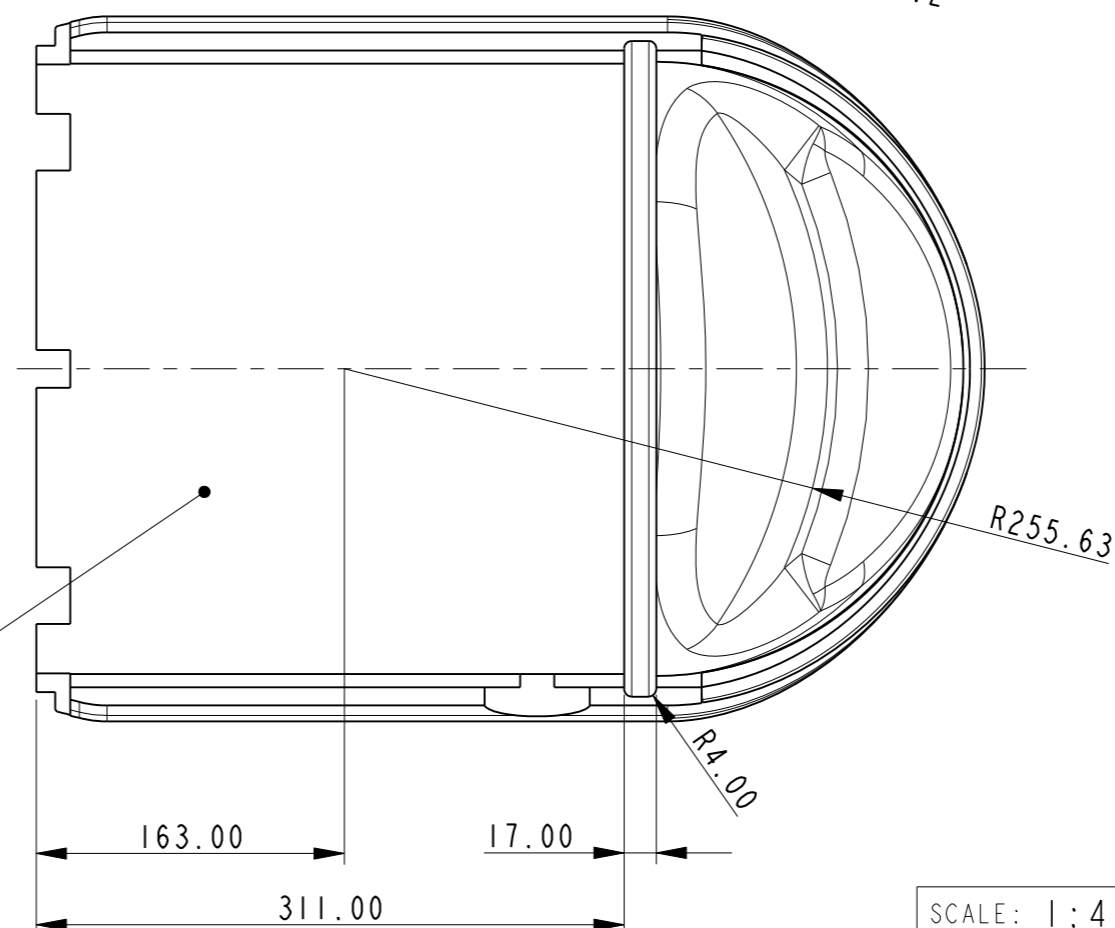
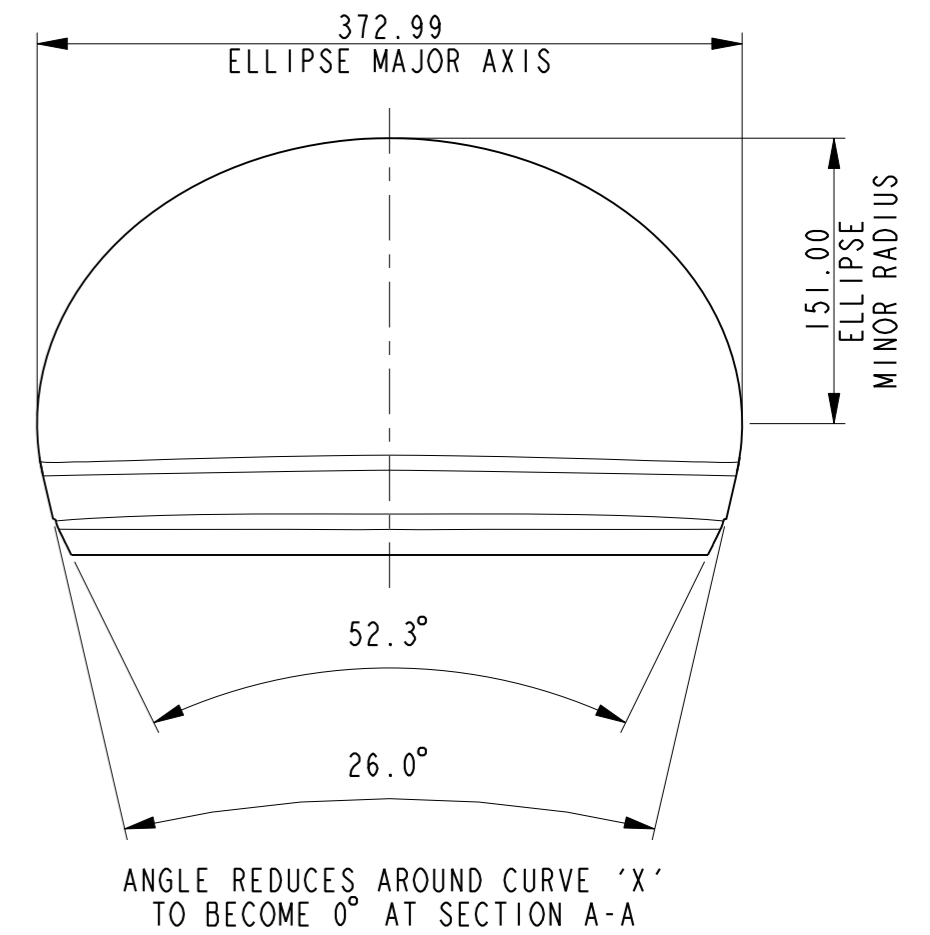
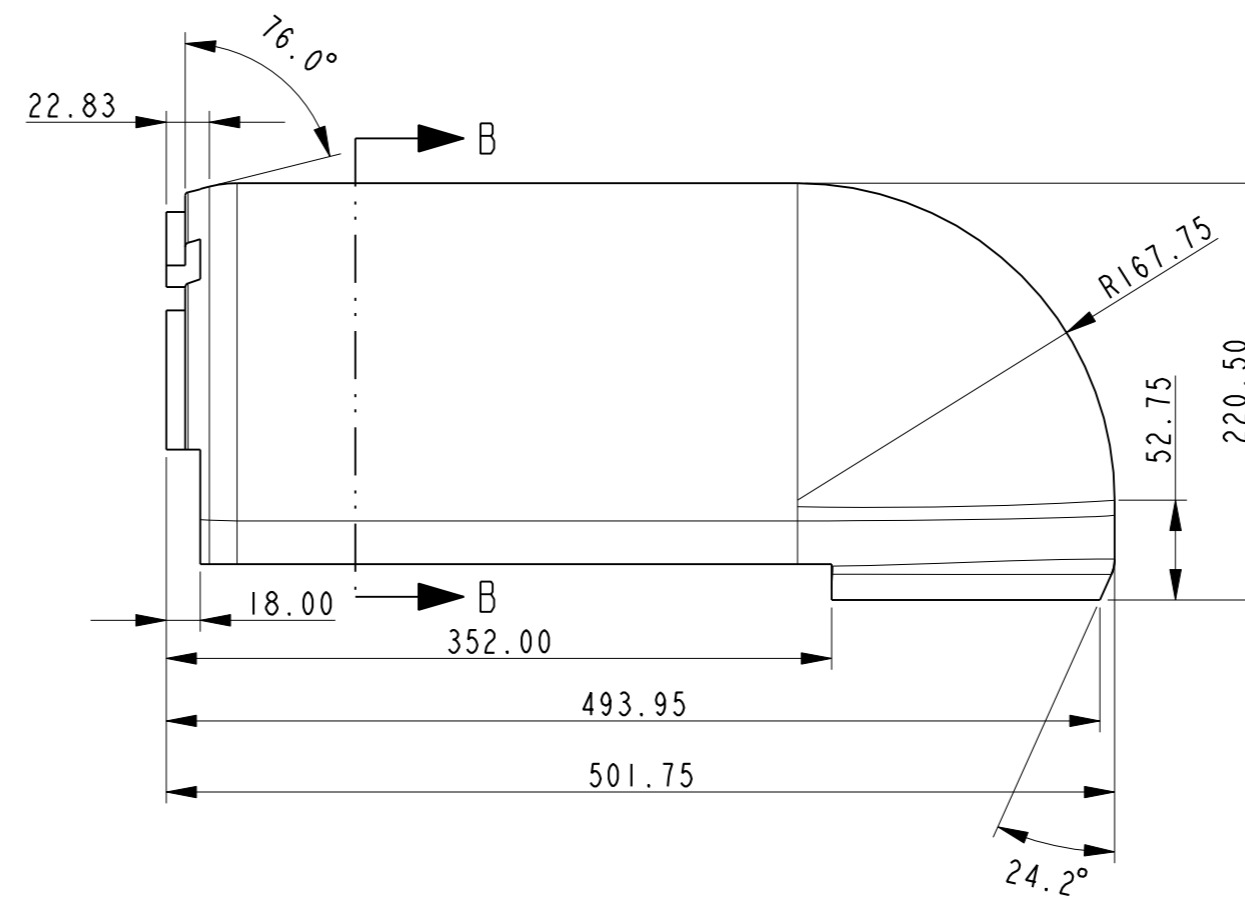
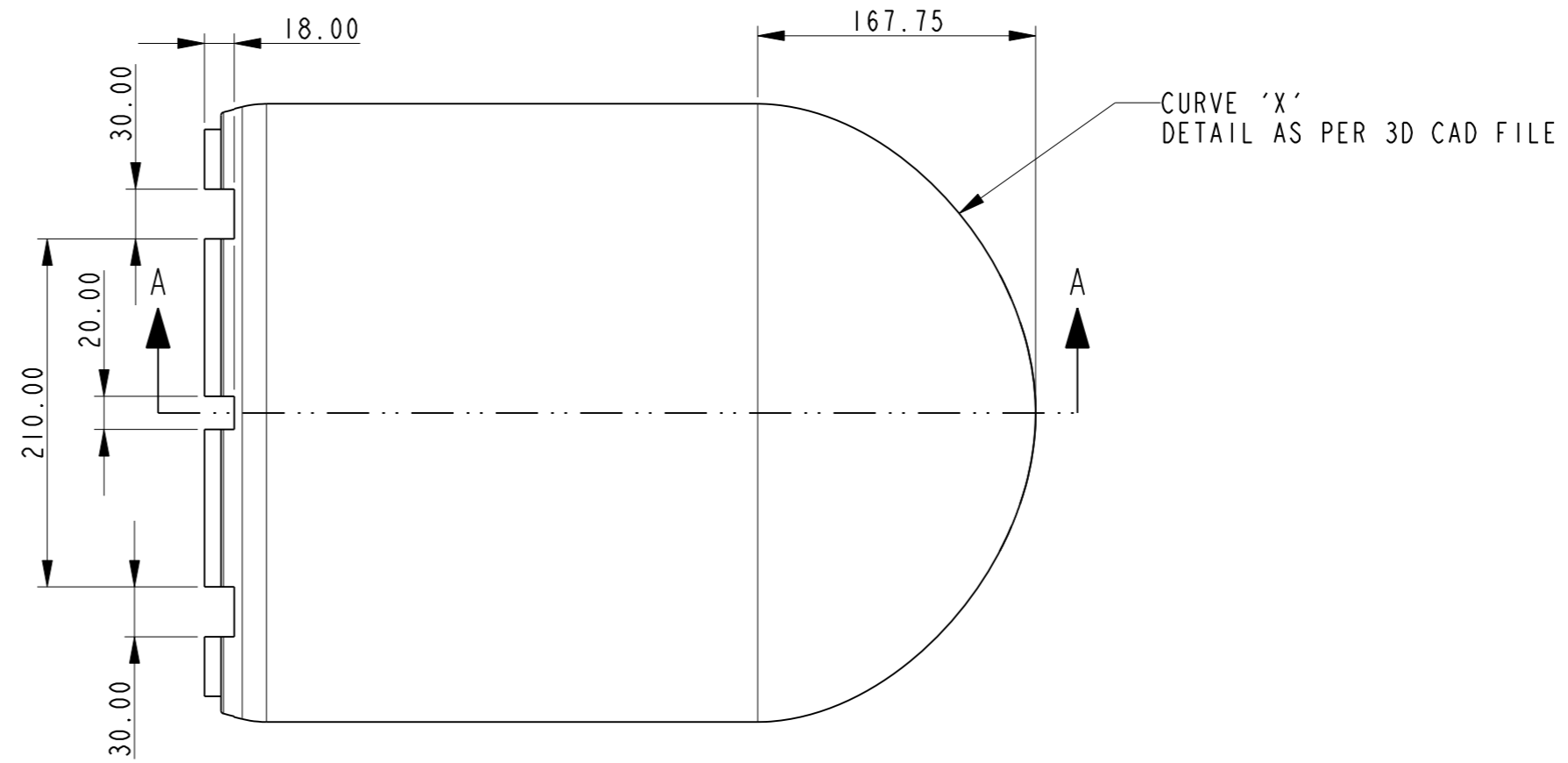


- NOTES:
 1. THIS PART IS FULLY DESCRIBED BY 3D CAD FILE RB-BI-119.IGS. USE THIS FILE FOR COMPONENT PRODUCTION.
 2. DIMENSIONS SHOWN FOR REFERENCE AND INSPECTION PURPOSES ONLY. REFER TO THE 3D CAD FILE FOR ANY FEATURES NOT DETAILED HERE.
 3. ALL DIMENSIONS IN mm.
 4. GENERAL TOLERANCE $\pm 1.0\text{mm}$, $\pm 0.5\text{mm}$ ON DIMENSIONS LESS THAN 60mm & $\pm 0.5^\circ$ U.O.S.
 5. MATERIAL: RIGID CAST INSULATION, RATED TO 1000°C MINIMUM.
 FULL SPEC TO BE CONFIRMED AFTER SAMPLE TESTING.
 6. FINISH: NATURAL.



INTERNAL GEOMETRY OF COMPONENT NEEDS TO MATCH WITH PART RB-BI-106 SO THAT THE PARTS ASSEMBLE CORRECTLY



FIRST ISSUE	02-12-14	1
REVISION	DATE	ISSUE
SCALE: 1:4	PAPER SIZE: A2	THIRD ANGLE PROJECTION
DESCRIPTION: INSULATION - OVEN OUTER	DRAWN:	DATE: 02-12-14
	PART NUMBER: RB-BI-119	