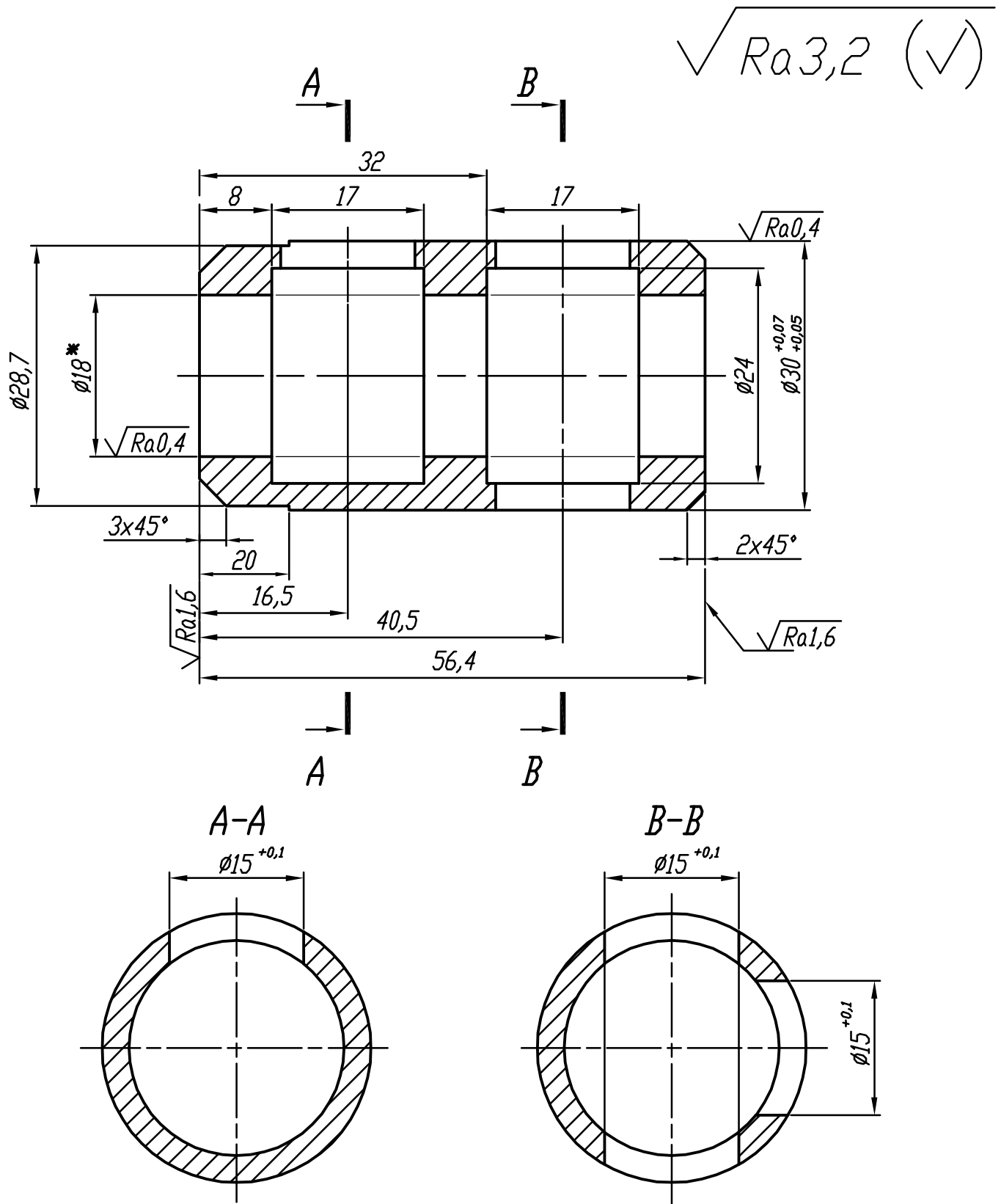


Picture N°160 – 161 – 162



1. Material: steel 40Cr
2. HRC 45...50
3. $\pm t2/2$
- 4.* Look at the picture N°162