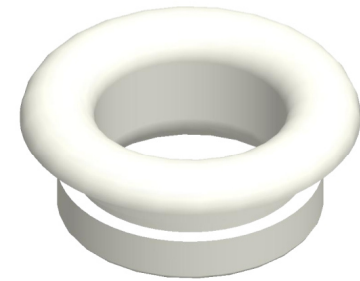
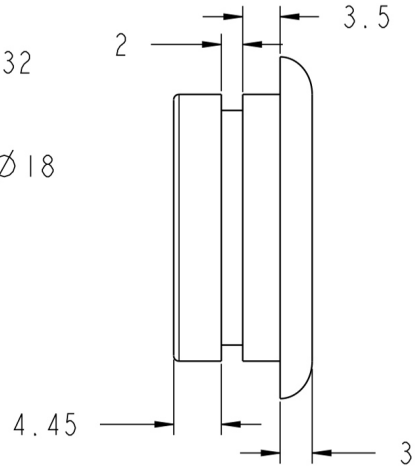
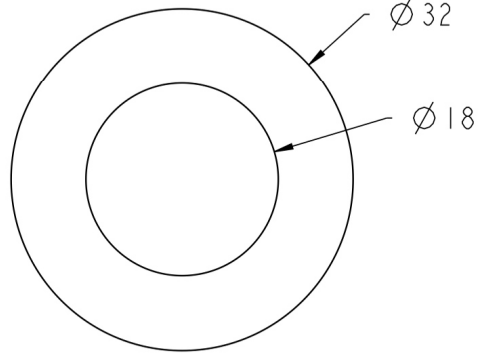


SECTION X-X



材料:氧化铝陶瓷
数量:1000件

V BLOCK	MATERIAL	WEIGHT	GENERAL	DIM IN MM					
n/a	CERAMIC ALUMINA	Kgs. 0.007	TOLERANCE ± MM	0.5-6.0 ± 0.05 >6-30 ± 0.10 >30-120 ± 0.20 >120-400 ± 0.50 >400-1000 ± 1.0 >1000 ± 1.5 Angle ± 0.5°	UNLESS STATED				
					FIRST ANGLE	DESCRIPTION			
						EYELET GUIDE			
					SCALE	SIZE	SHEET	REVISION	
					2.000	A3	1 of 1	0	