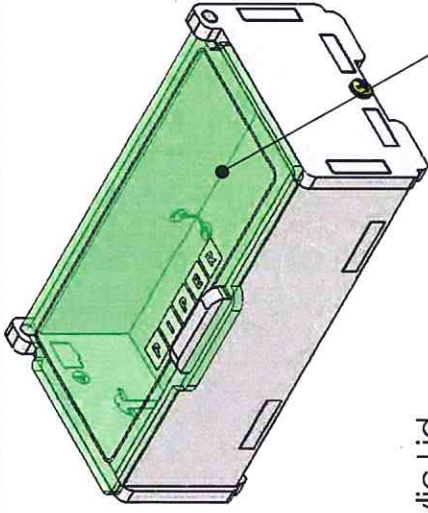
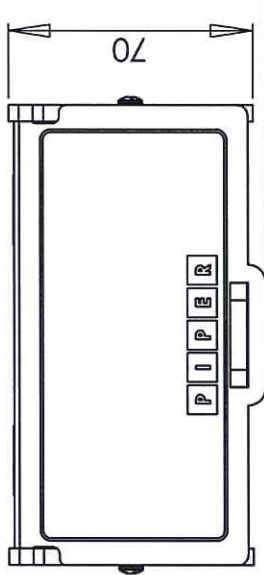
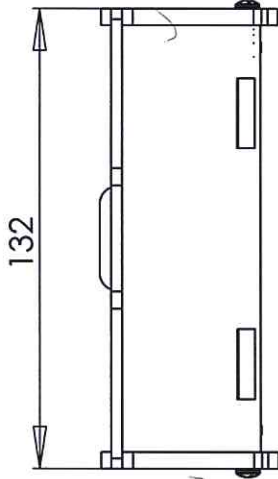
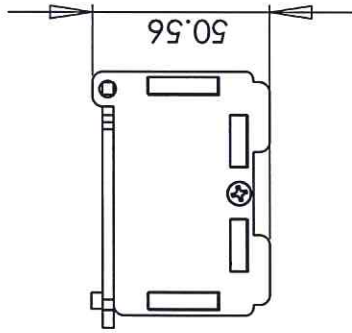


**POWERUPS BOX- Overall Dimensions**  
 Box used for storing components inside the Piperbox  
 Materials: 5mm thickness wood and Acrylic LID



Acrylic Lid  
 3mm Thick  
 Color is Green P95  
 with frosted Matte Finish on one side

$$\frac{50.56}{23.8} = 2.12$$

$$\frac{70}{32.5} = 2.15$$

$$\frac{132}{61} = 2.16$$

**PROPRIETARY AND CONFIDENTIAL**  
 THE INFORMATION CONTAINED IN THIS  
 DRAWING IS THE SOLE PROPERTY OF  
 PIPER INC. ANY  
 REPRODUCTION IN PART OR AS A WHOLE  
 WITHOUT THE WRITTEN PERMISSION OF  
 PIPER INC. IS  
 PROHIBITED.

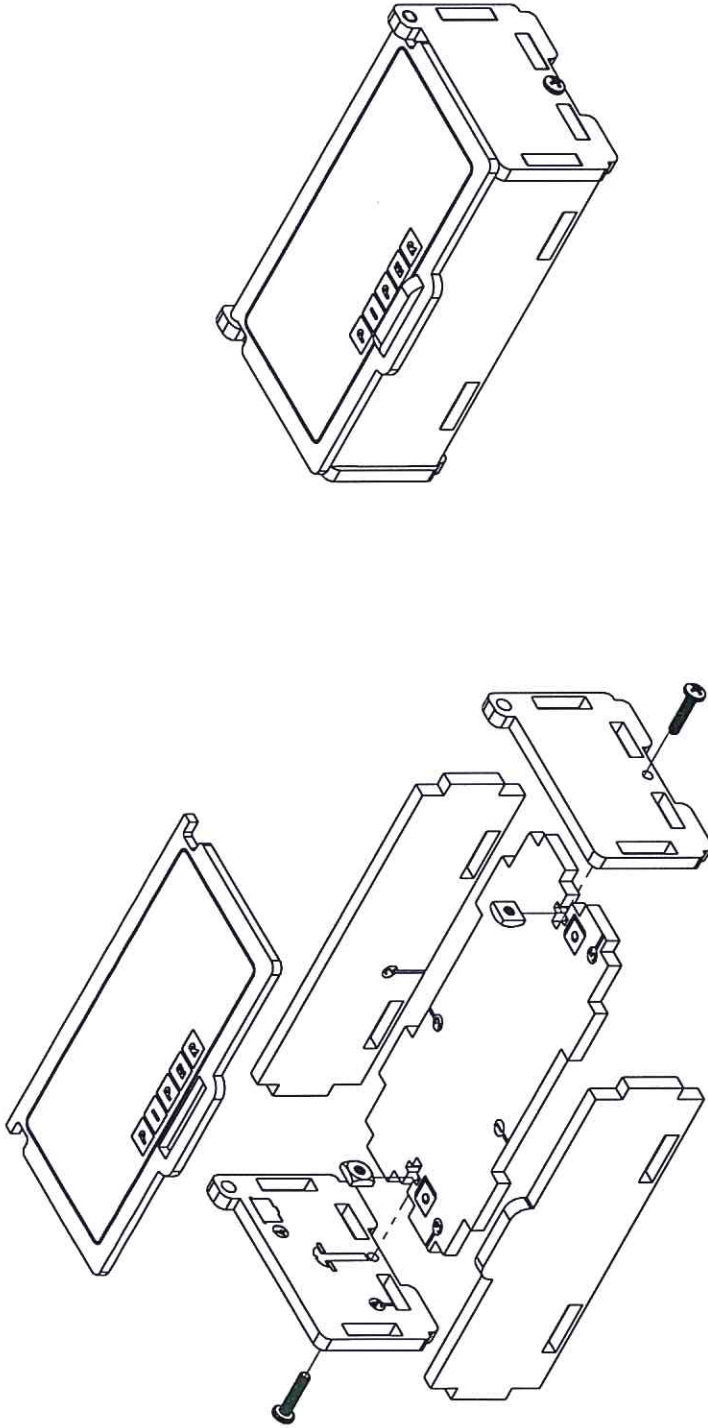
UNLESS OTHERWISE SPECIFIED:	DRAWN	NAME	DATE
DIMENSIONS ARE IN MM	CHECKED		
TOLERANCES: ± 0.1mm	ENG APPR.		
FRACTIONAL	MFG APPR.		
ANGULAR: MACH ± BEND ±	Q.A.		
TWO PLACE DECIMAL ±	COMMENTS:		
THREE PLACE DECIMAL ±			
INTERPRET GEOMETRIC			
TOLERANCING PER:			
MATERIAL			
FINISH			
USED ON			
APPLICATION			
NEXT ASSY			
DO NOT SCALE DRAWING			

TITLE: Powerups Box

SIZE: A  
 DWG. NO.:  
 REV: 1.2

SCALE: 1:2 WEIGHT: SHEET 1 OF 2

POWERUPS BOX- Exploded View



DRAWN		NAME	DATE	TITLE: <b>Powerups Box</b>	SIZE <b>A</b>	DWG. NO. <b>A</b>	REV <b>1.2</b>
CHECKED							
ENG APPR.							
MFG APPR.							
Q.A.							
UNLESS OTHERWISE SPECIFIED: DIMENSIONS ARE IN MM TOLERANCES: ± 0.1mm FRACTIONAL ANGULAR: MACH ± BEND ± TWO PLACE DECIMAL ± THREE PLACE DECIMAL ±				COMMENTS: INTERPRET GEOMETRIC TOLERANCING PER: MATERIAL FINISH			
PROPRIETARY AND CONFIDENTIAL THE INFORMATION CONTAINED IN THIS DRAWING IS THE SOLE PROPERTY OF PIPER INC. ANY REPRODUCTION IN PART OR AS A WHOLE WITHOUT THE WRITTEN PERMISSION OF PIPER INC. IS PROHIBITED.				DO NOT SCALE DRAWING			
NEXT ASSY				USED ON			
APPLICATION				APPLICATION			
SCALE: 1:2		WEIGHT:		SHEET 2 OF 2			