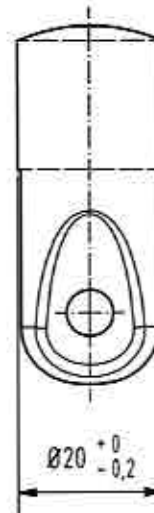
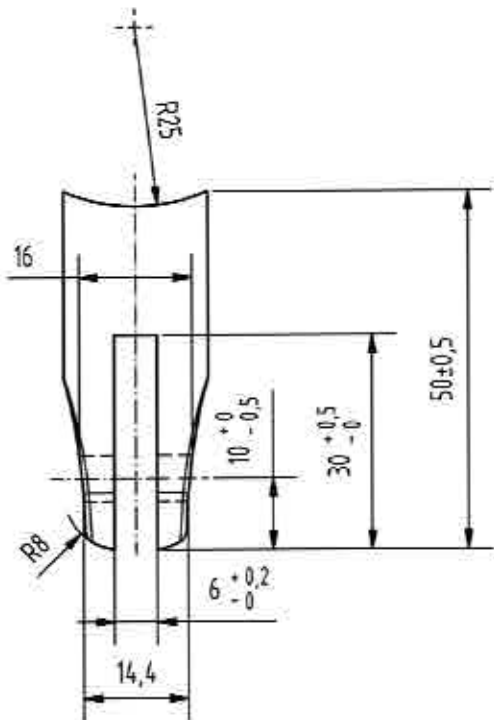
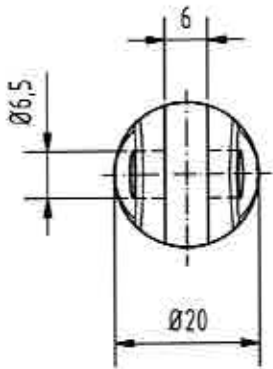


50.000 / YEAR  
25.000 / Lot

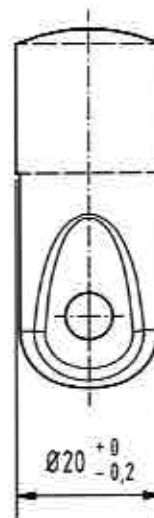
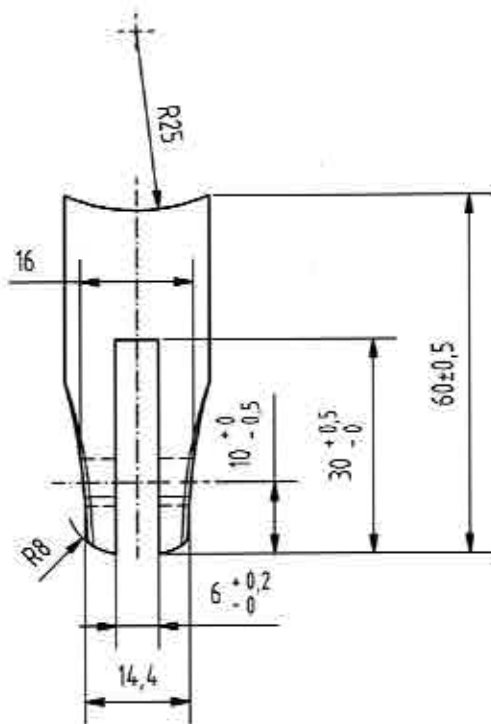
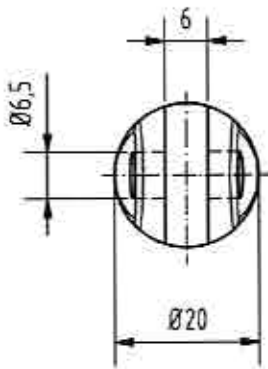


## Design

This document is copyrighted by [redacted]. Reproduction is prohibited.

Company:		Division:	Weight:	Scale:	1:1	General tolerance:	DN ISO 2768 medium		
			0,08 kg			S235JR			
						swing bolt 50mm			
				Date	Name				
				processed	20.05.2015				S.Winterhoff
				checked					
				Art.-Nr.:		06-0275-4_englisch			
				ABAS-Nr.:					
				File:		06-0275-4_englisch.idw		Sheet: 1	
Status	Change	Date	Name	E:\Zachrupf\UNIFIX\UNIFIX_200_Frankfurt\MENTOR\06-0275-4_englisch.idw				Sheets: 1	

25.000/YEAR  
12.500/Lot



## Design

This document is copyrighted by \_\_\_\_ . Reproduction is prohibited.

Company:		Division:	Weight: 0,105kg	Scale: 1:1	General tolerance: DIN ISO 2768 medium
				5235 JR	
		Date	Name	swing bolt 60mm	
		processed 20.05.2015	S. Winterhoff		
		checked			
		Art.-Nr.:	06-0276-4_englisch		
		ABAS-Nr.:			
		File: 06-0276-4_englisch.dwg			
Status	Change	Date	Name	06-0276-4_englisch Sheet: 1 Sheets: 1	