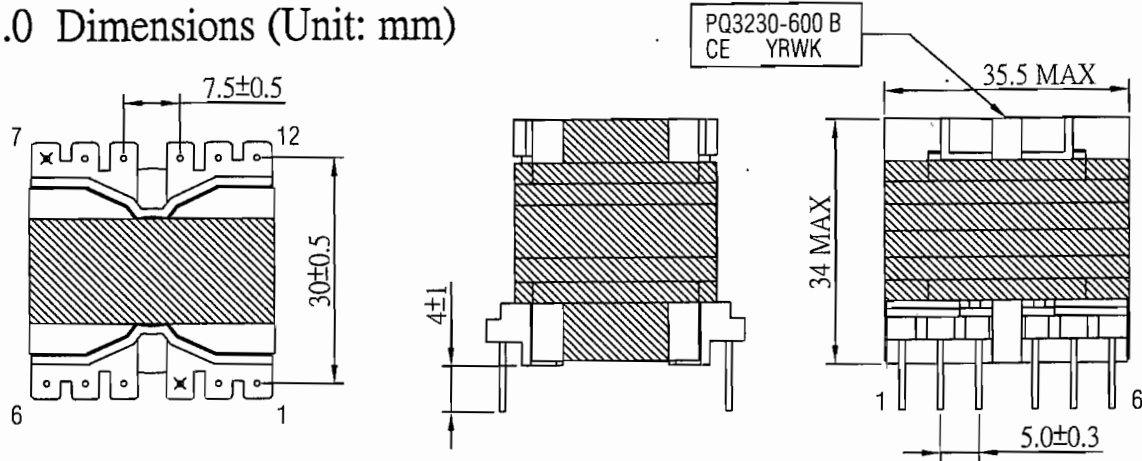
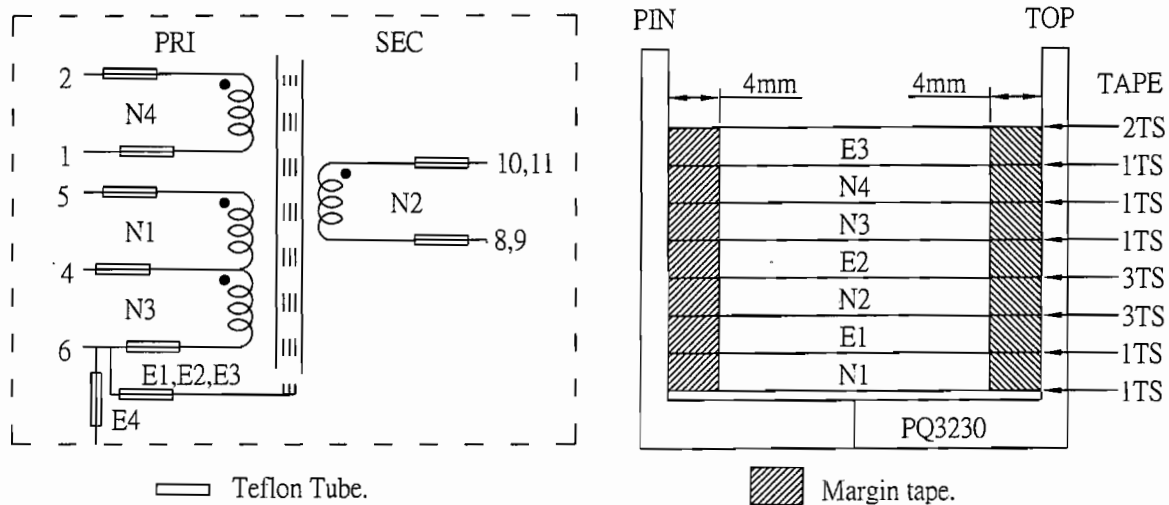


## 1.0 Dimensions (Unit: mm)



Note : 拔除 PIN3,7 • PIN4 cut off 2/3.

## 2.0 Schematic & Winding construction



## 3.0 Winding Specification

No.	Start	End	Wire	Turns	Tape	Remark
					1	
N1	5	4	2UEW $\varnothing 0.50\text{mm}$	19	1	Solenoid
E1	6		Copper: $0.05 \times 9\text{mm}$	0.9	3	
N2	10,11	8,9	Copper: $0.15 \times 9\text{mm}$	6	3	Remark 1
E2	6		Copper: $0.05 \times 9\text{mm}$	0.9	1	
N3	4	6	2UEW $\varnothing 0.50\text{mm}$	19	1	Solenoid
N4	2	1	2UEW $\varnothing 0.25\text{mm}$	4	1	Space
E3	6		Copper: $0.05 \times 9\text{mm}$	0.9	2	

Remark 1: N2 Copper lead used by 2UEW0.50mm\*2P copper wire (x2).

## 4.0 Electrical Characteristics

No.	Item.	Terminal	Specification	Test Conditions
1	Inductance	5 - 6	600uH $\pm$ 10%	at:100KHz/0.3V (DU6021)
	LK	5 - 6	$\leq$ 8.0uH (Short SEC)	
2	HI-POT	PRI - SEC	AC 4500V	1mA 60sec. (CJ2671)
		Coil - Core	AC 2000V	

## 5.0 Bill of Materials

Item.	Material Name	Description & Dimensions	Q'ty	Supplier			Remark
				Name	Type or P/N	Material	
1	Bobbin	T375J 150°C 94V-0	1	Changchun			E59481(S)
2	Ferrite Core	PQ3230 TP4	2	TDG or Equate		Mn-Zn	
3	Magnet Wire	2UEW 130°C		Golden Ocean			E225143
4	Adhesive Tape	CT-280 130°C 0.06/t Yellow		Yahua			E165111
5	Margin Tape	WF 130°C thick:0.2mm		Yahua			E165111
6	Teflon Tube	CB-TT 200°C Clear		Changyuan		Teflon	E180908
7	Varnish	T1148-1 155°C		Tie Gong			E235951

# Sample Testing Report

Prepared By: P. P. Shen  
 Checked By: H. Y. Qiu  
 Approved By: Guo Qiang

**Customer** : 理邦  
**Customer P/N** : PQ3230-600 B Rev.       
**Endela P/N** : EST090314N Rev. A

**Description** : Transformer  
**Sample Q'ty** : 2 **Pcs**  
**Date** : 2009-3-12

No.	Item	Terminal	Standard Spec.	Test Conditions	Sample No.										
					1	2	3	4	5	6	7	8	9	10	
1	Inductance	5-6	600 <del>uH</del> ±6%	100KHz/0.3V	603.8	592.8									
2	Leakage Inductance	5-6	8.0uH Max short Sec	100KHz/0.3V	6.7	6.4									
3	Hi Pot Test	Pri-Sec	AC4500V	2mA 60sec	OK	OK									
		Pri-Core	AC2000V		OK	OK									
		Sec-Core	AC2000V		OK	OK									
4	Dimensions	Length	35.5Max.	Unit: mm Measuring Accuracy: 0.02mm	33.3	33.9									
		High	34Max.		32.9	32.8									
		Pin-Pin	5.0±0.3		5.0	5.1									
		Pin Length	30±0.5		30.1	30									
		Pin Length	4±1		3.9	4.0									

Remark: