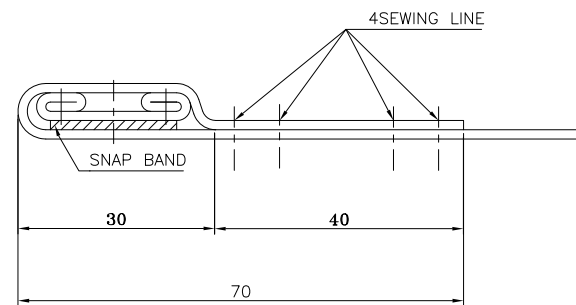
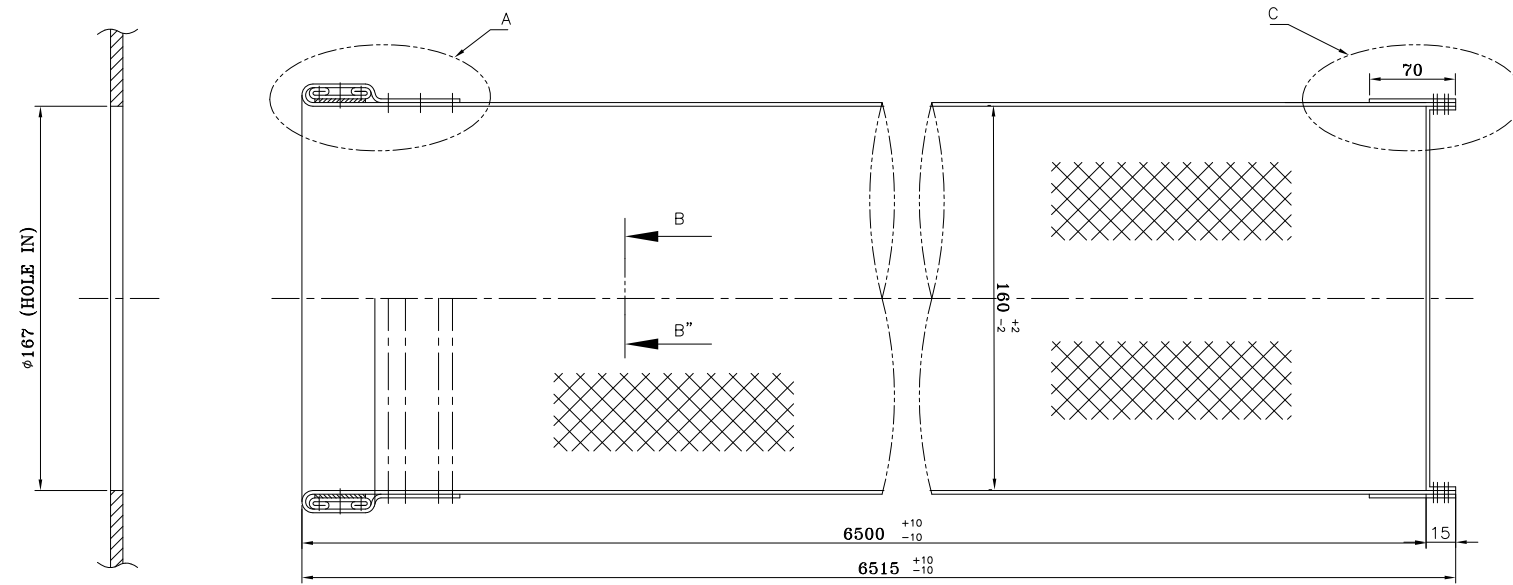
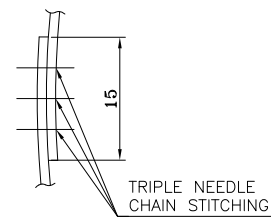


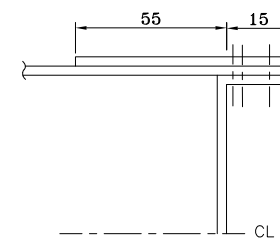
NO.	NAME	QTY	MATERIAL	WEIGHT(KG)		REMARKS
				PER ONE	TOTAL	
1	FILTER BAG	2400	NOMEX	5	12000	#160x6500L



DETAIL A



SECTION B-B



DETAIL C

FOR CONSTRUCTION

REV.	DATE	DESCRIPTION	DRAWN	CHK'D	REV'D	APP'D
△						
△						
△						
△	06.JUL,'15	FOR CONSTRUCTION	S.B.SONG	H.S.O	H.C.KWON	B.U.MOON
△	24.APR,'15	FOR CONSTRUCTION	S.B.SONG	H.S.O	H.C.KWON	B.U.MOON
△	20.OCT,'14	FOR APPROVAL	S.B.SONG	H.S.O	H.C.KWON	B.U.MOON

PROJECT NAME : COAL POWER PLANT(CPP) PROJECT - CFB BOILERS

OWNER :

SUPPLIER : HYUNDAI HEAVY INDUSTRIES CO.,LTD.

DRAWN	S.B.SONG	TITLE :	FILTER BAG (4/5)
CHK'D	H.S.O	DWG. NO.	CPP-CS-A3-10701-30
REV'D	H.C.KWON	SCALE	1/3
APP'D	B.U.MOON	DATE	'15.04.24
JOB NO. (OWNER)		REV.	1
JOB NO. (HH)	B1402A		