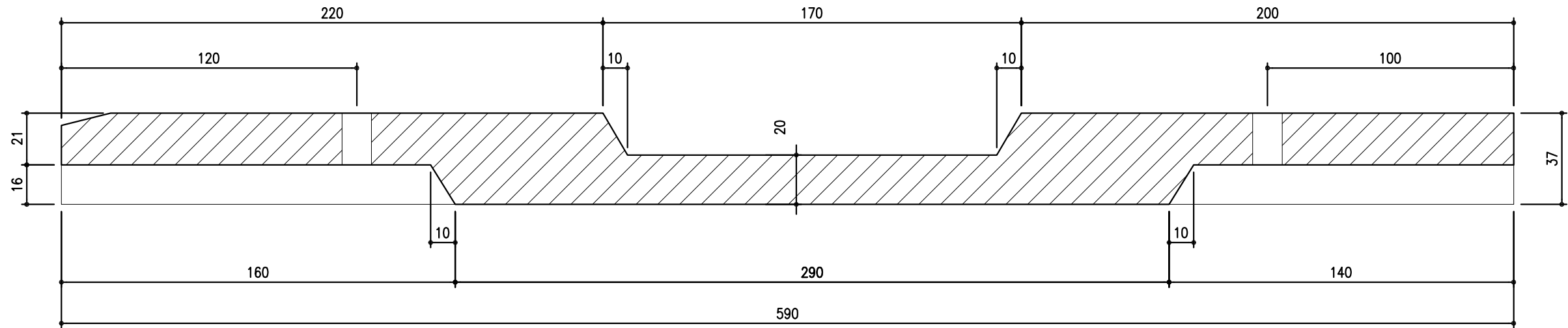


**C-C SECTION**  
SCALE 1:8

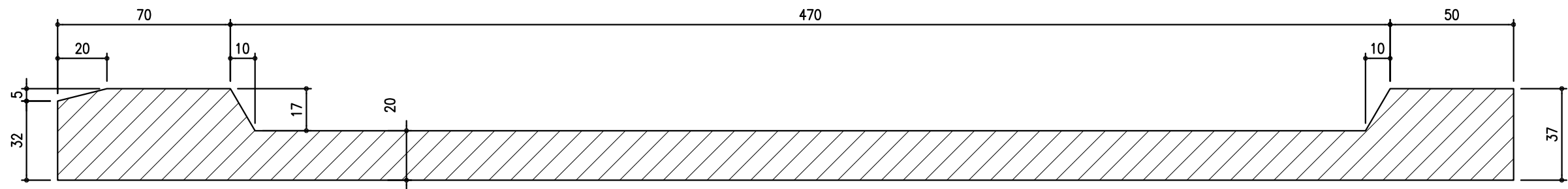
PROJECT				
10-CELLS BATTERY MOULD FABRICATION				
DESIGNED	TG ONG	CHECKED	TG ONG	
DRAWN	KYAW	APPROVED	TG ONG	
SCALE	SCALE @ A3	DATE	04/02/13	
REV	DATE	DRAWN	CHECKED	DESCRIPTION
0	04/02/13	KYAW	TG ONG	FIRST ISSUE

**BUILDGREEN (ASIA) PTE LTD**  
60 Alexandra Terrace,  
#10-08 The Comtech  
Singapore 118502  
Tel: (65) 6558 7677 Fax: (65) 6558 7767

DRAWING TITLE	
PRODUCT PANEL DETAIL	
SHEET 01 OF 09	
DRAWING NO.	REV
BG_FAB_WO_DTL_005	0

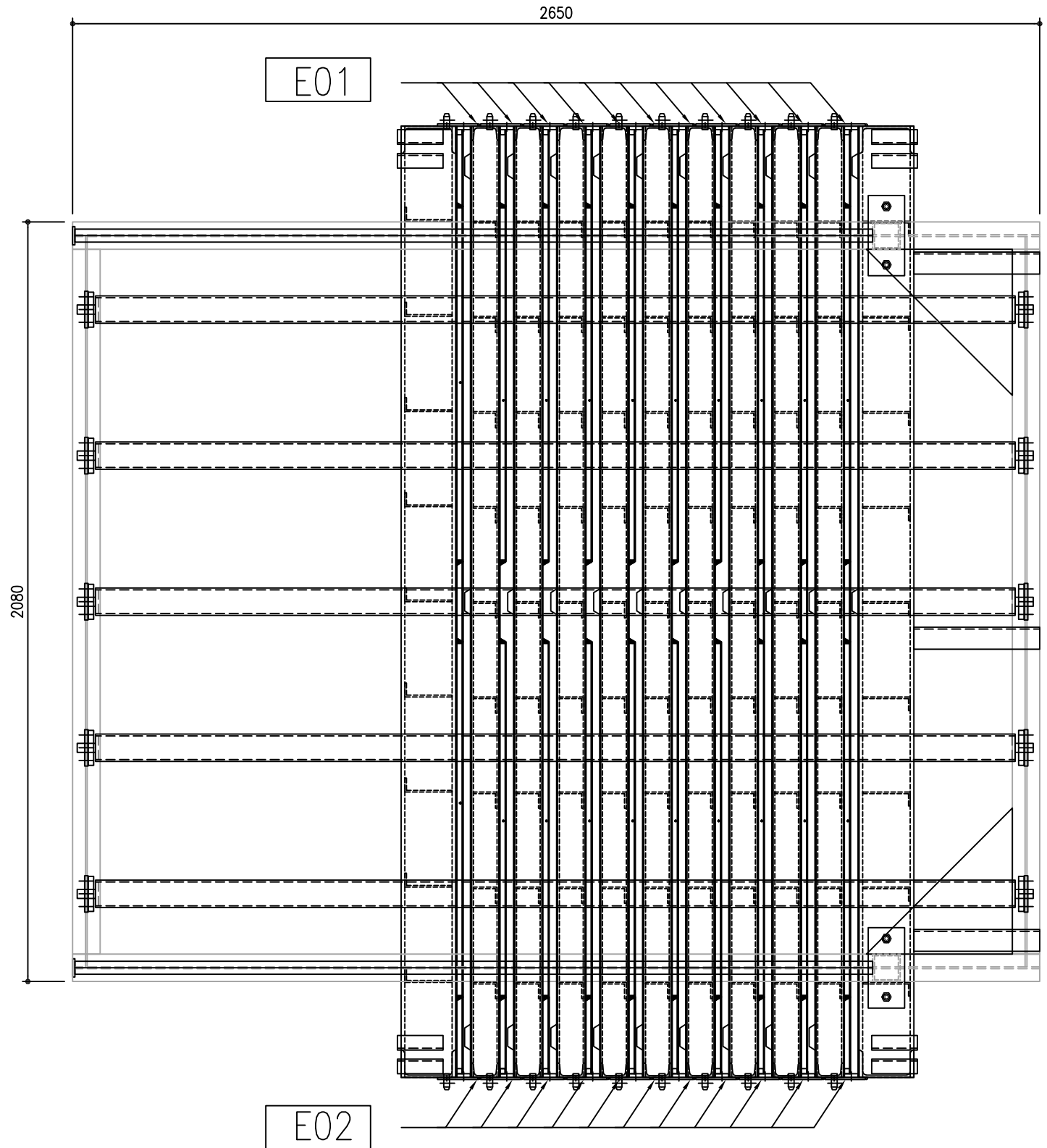


**A-A SECTION**  
SCALE 1:2

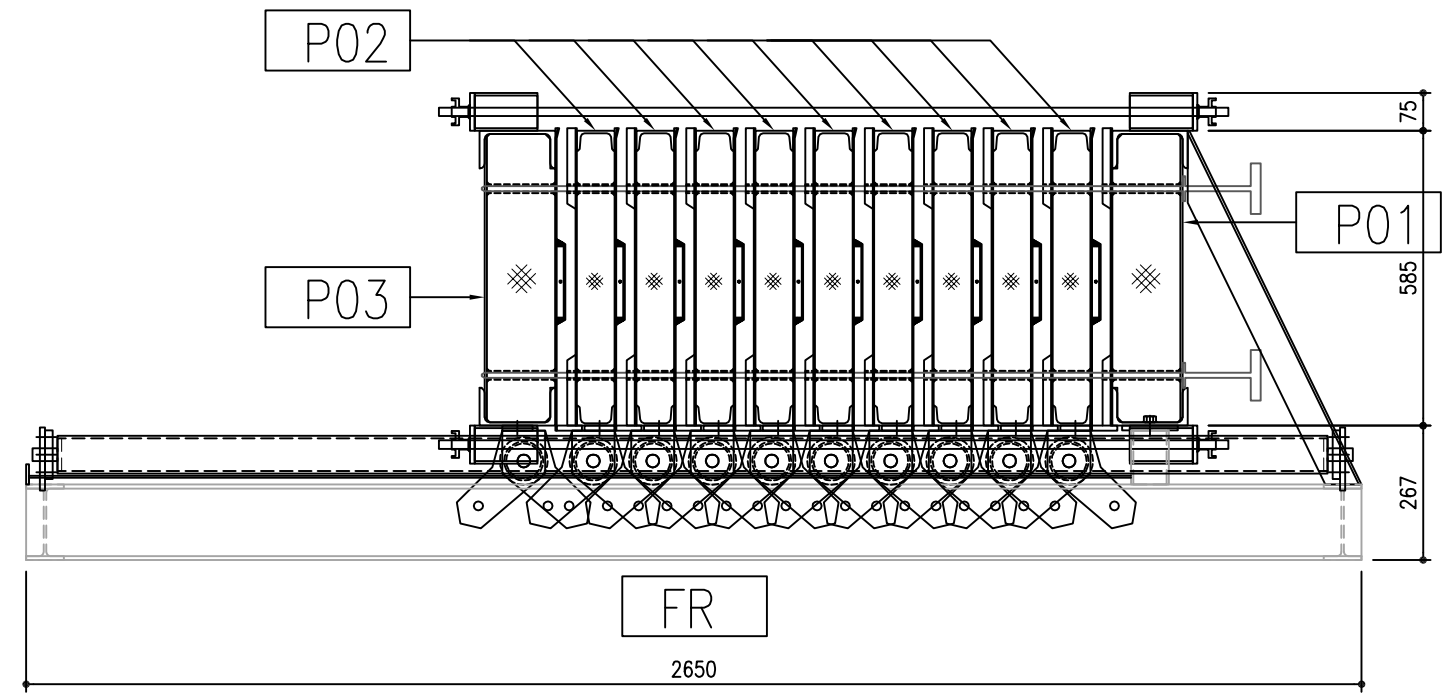


**B-B SECTION**  
SCALE 1:2

					PROJECT				<b>BUILDGREEN (ASIA) PTE LTD</b> 60 Alexandra Terrace, #10-08 The Comtech Singapore 118502 Tel: (65) 6558 7677 Fax: (65) 6558 7767		DRAWING TITLE	
					10-CELLS BATTERY MOULD FABRICATION						PRODUCT PANEL SECTION	
					DESIGNED	TG ONG	CHECKED	TG ONG			SHEET 02 OF 09	
0	04/02/13	KYAW	TG ONG	FIRST ISSUE	DRAWN	KYAW	APPROVED	TG ONG	DRAWING NO.		REV	
REV	DATE	DRAWN	CHECKED	DESCRIPTION	SCALE	SCALE @ A3	DATE	04/02/13	BG_FAB_WO_DTL_005		0	



PLAN  
SCALE 1:15

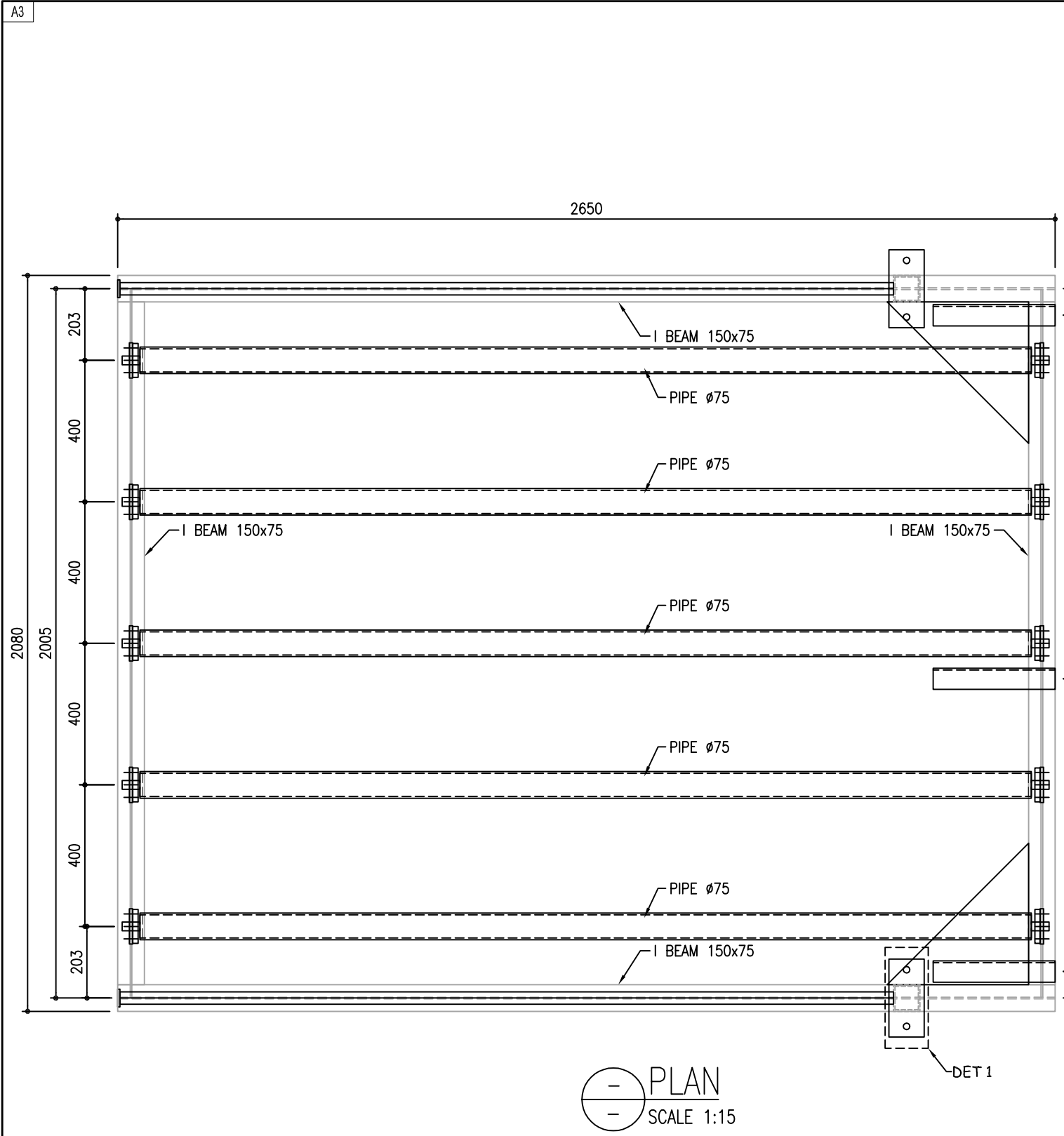


ELEVATION  
SCALE 1:15

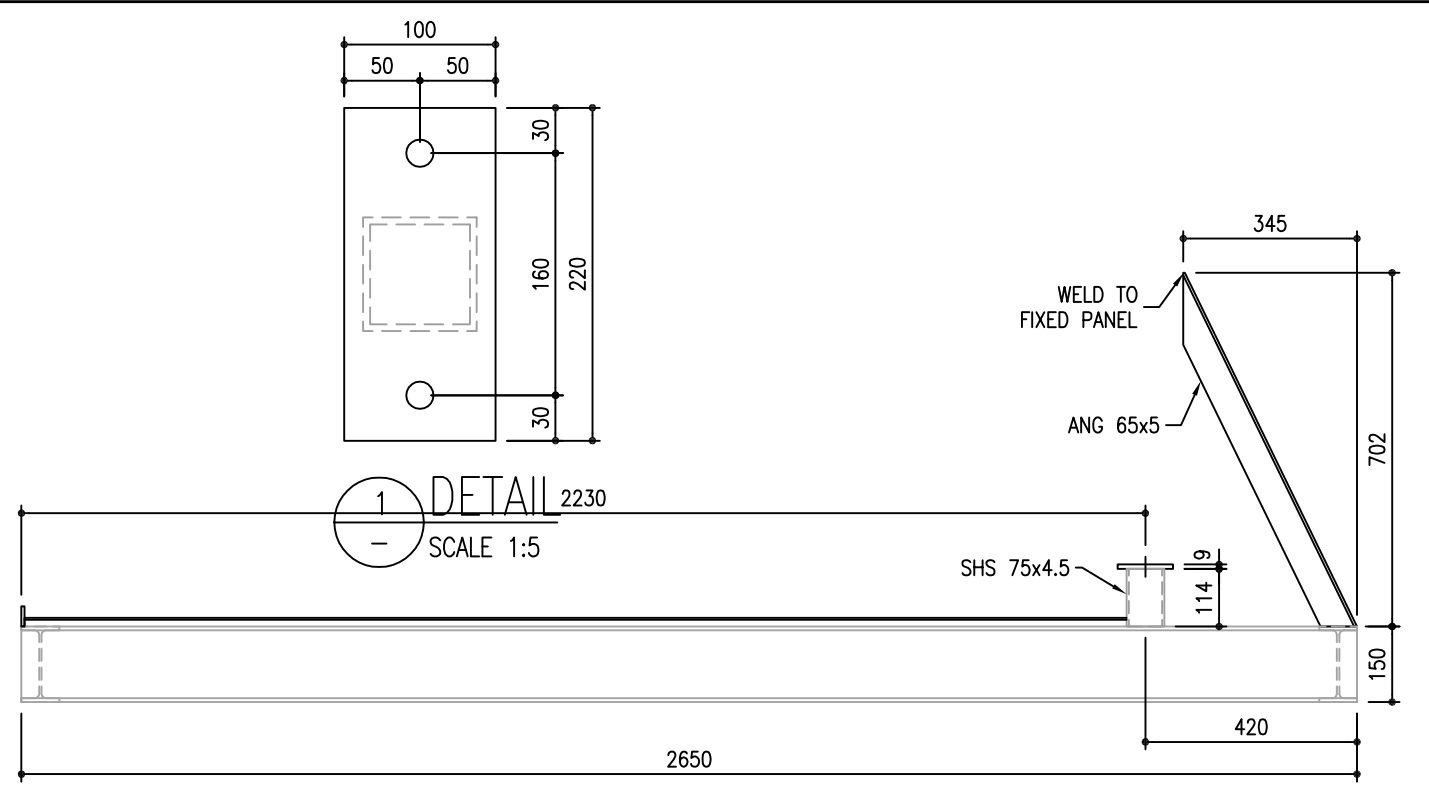
C:\Users\User\Documents\01\_BUILDGREEN (ASIA) PTE LTD\04\_FABRICATION\WORKING DRAWING\BG FAB WO DTL\_005.dwg-13-Feb-13

					PROJECT				DRAWING TITLE	
					10-CELLS BATTERY MOULD FABRICATION				OVERALL PLAN AND ELEVATION	
					DESIGNED	TG ONG	CHECKED	TG ONG	SHEET 03 OF 09	
					DRAWN	KYAW	APPROVED	TG ONG	DRAWING NO. BG_FAB_WO_DTL_005	
					SCALE	SCALE @ A3	DATE	04/02/13	REV 0	
REV	DATE	DRAWN	CHECKED	DESCRIPTION						
0	04/02/13	KYAW	TG ONG	FIRST ISSUE						

**BUILDGREEN (ASIA) PTE LTD**  
 60 Alexandra Terrace,  
 #10-08 The Comtech  
 Singapore 118502  
 Tel: (65) 6558 7677 Fax: (65) 6558 7767

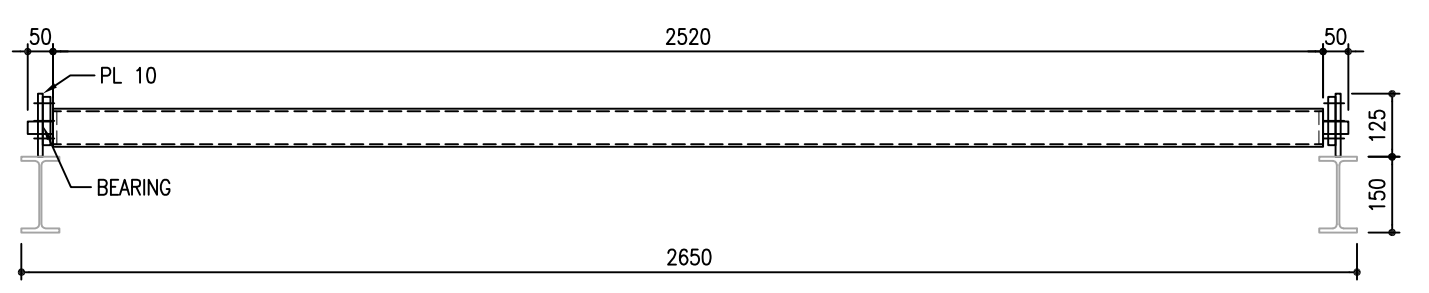


PLAN  
SCALE 1:15



1 DETAIL  
SCALE 1:5

A-A SECTION  
SCALE 1:15



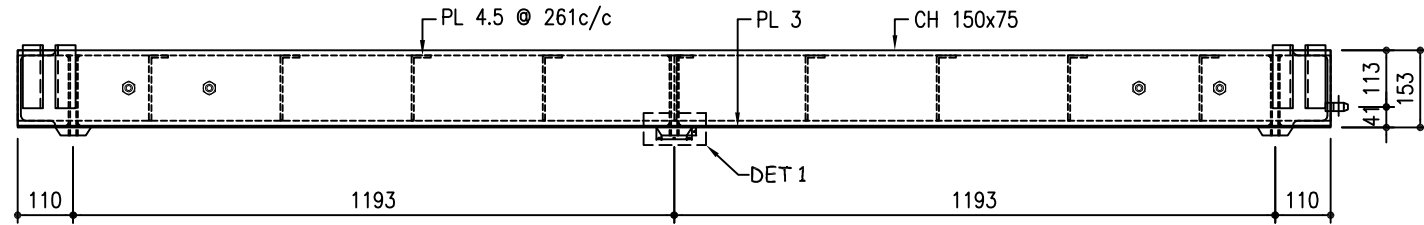
B-B SECTION  
SCALE 1:15

REV	DATE	DRAWN	CHECKED	DESCRIPTION
0	04/02/13	KYAW	TG ONG	FIRST ISSUE

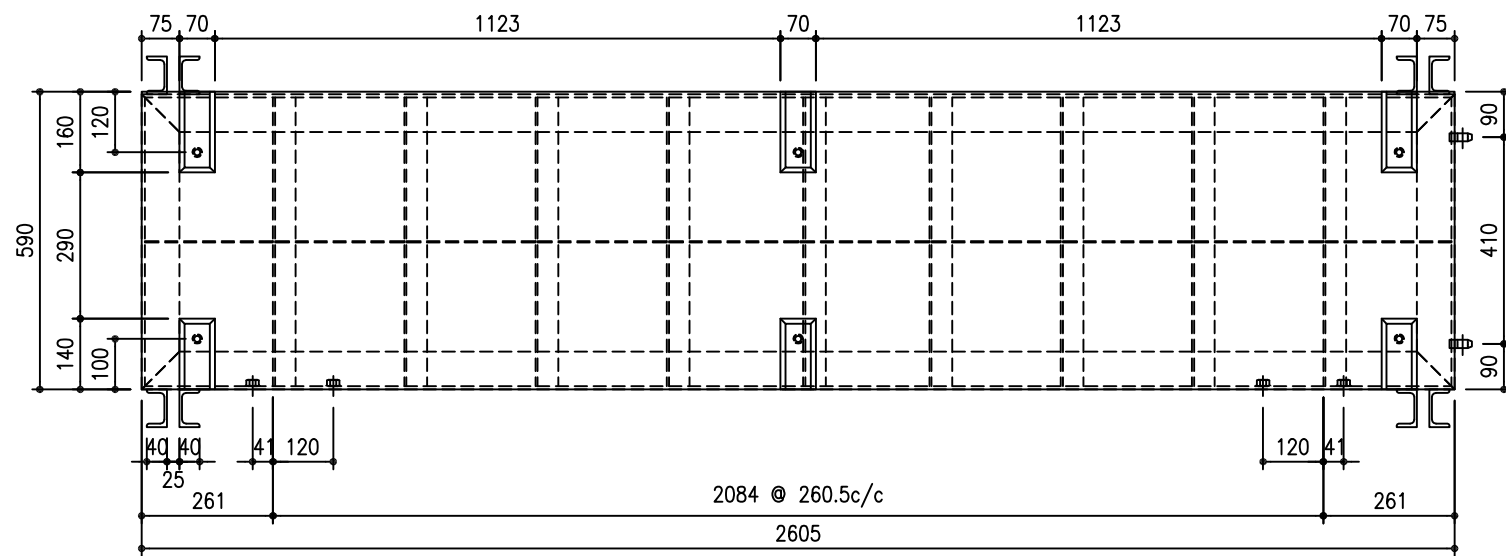
PROJECT			
10-CELLS BATTERY MOULD FABRICATION			
DESIGNED	TG ONG	CHECKED	TG ONG
DRAWN	KYAW	APPROVED	TG ONG
SCALE	SCALE @ A3	DATE	04/02/13

**BUILDGREEN (ASIA) PTE LTD**  
 60 Alexandra Terrace,  
 #10-08 The Comtech  
 Singapore 118502  
 Tel: (65) 6558 7677 Fax: (65) 6558 7767

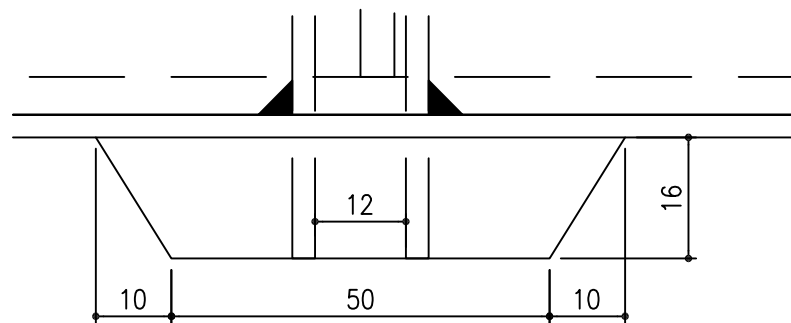
DRAWING TITLE	
BASE FRAME PLAN AND SECTION	
SHEET 04 OF 09	
DRAWING NO.	REV
BG_FAB_WO_DTL_005	0



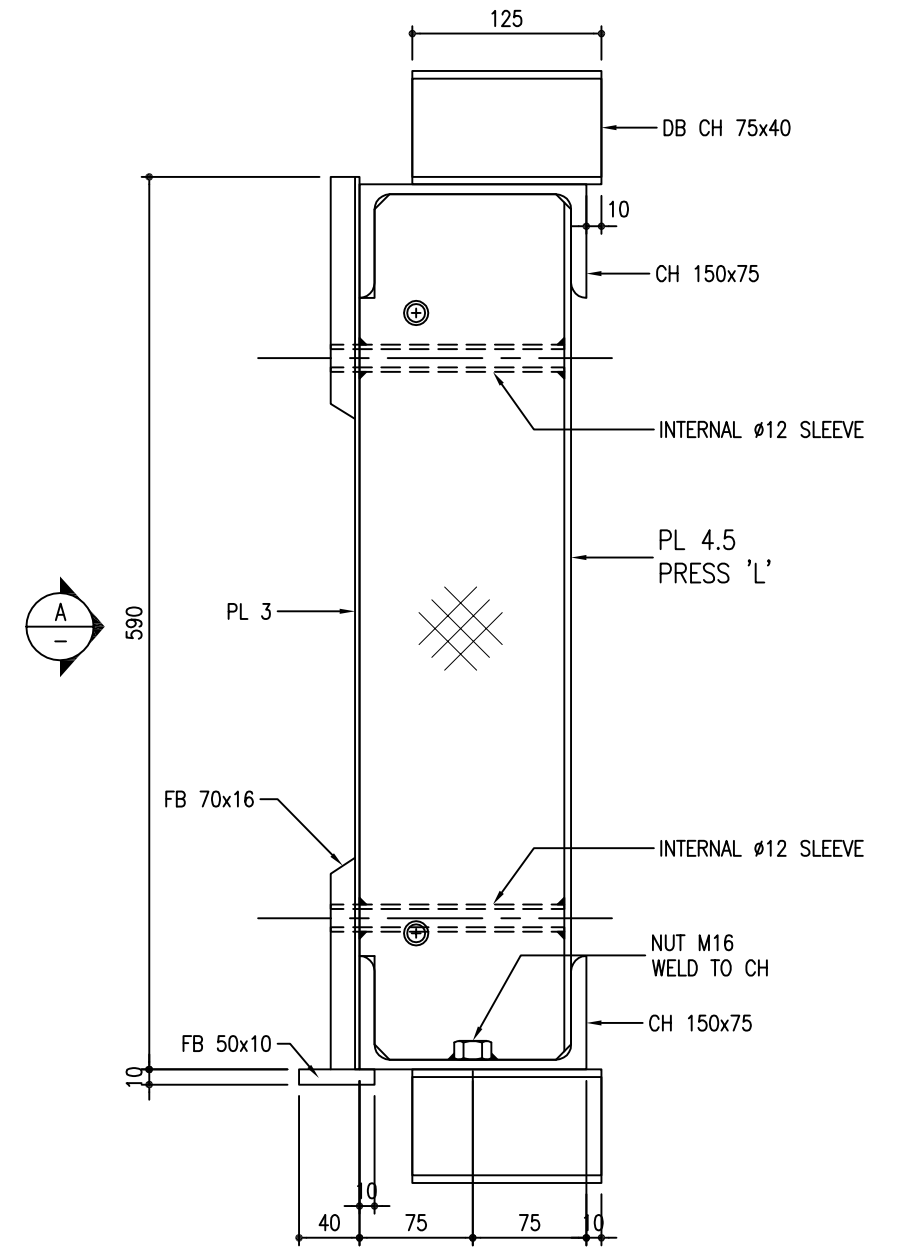
PLAN  
SCALE 1:15



A VIEW  
SCALE 1:15



DETAIL-1  
SCALE 1:1

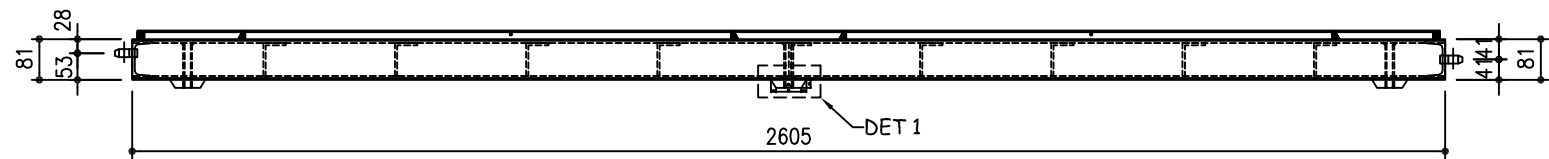


SECTION  
SCALE 1:5

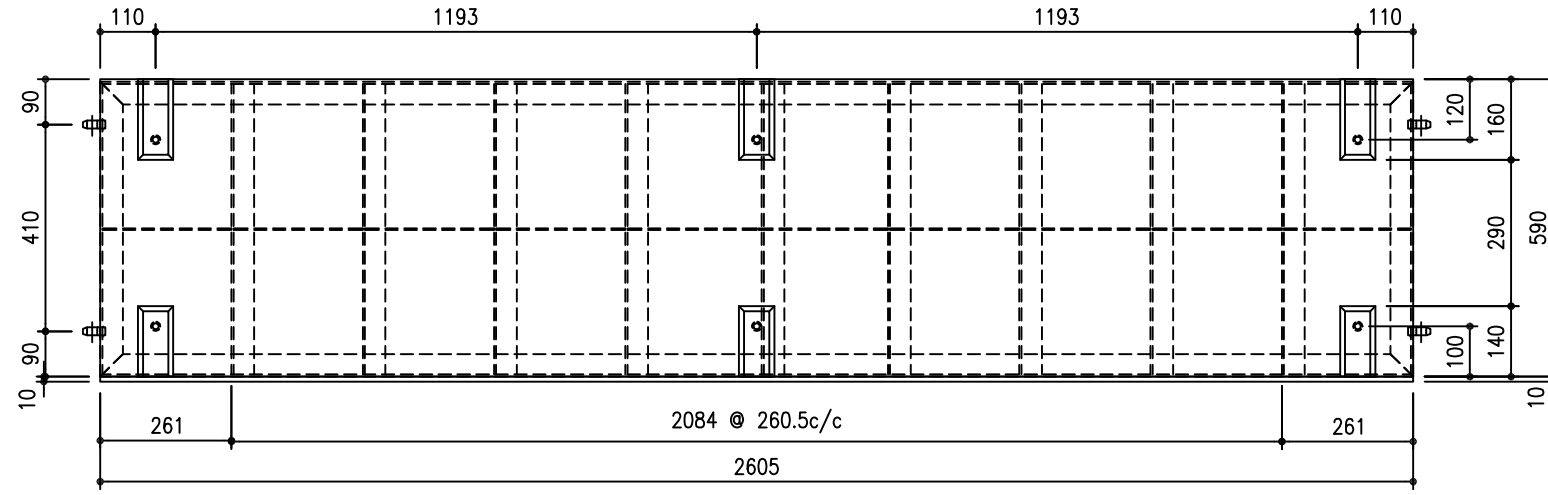
					PROJECT			
					10-CELLS BATTERY MOULD FABRICATION			
					DESIGNED	TG ONG	CHECKED	TG ONG
					DRAWN	KYAW	APPROVED	TG ONG
					SCALE	SCALE @ A3	DATE	04/02/13
REV	DATE	DRAWN	CHECKED	DESCRIPTION				
0	04/02/13	KYAW	TG ONG	FIRST ISSUE				

**BUILDGREEN (ASIA) PTE LTD**  
60 Alexandra Terrace,  
#10-08 The Comtech  
Singapore 118502  
Tel: (65) 6558 7677 Fax: (65) 6558 7767

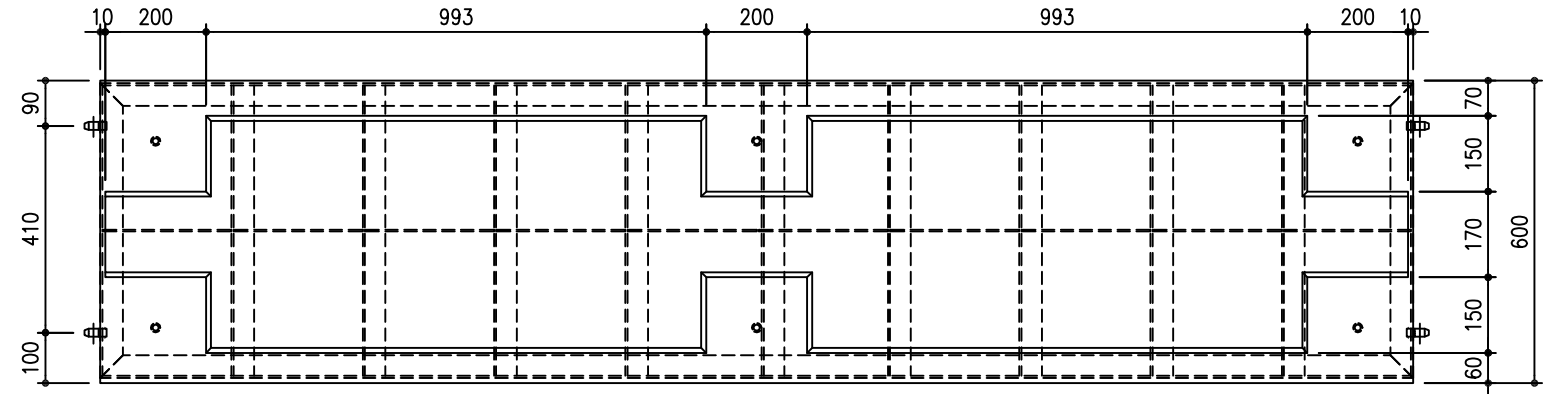
DRAWING TITLE		FIXED PANEL DETAIL	
		SHEET 05 OF 09	
DRAWING NO.	BG_FAB_WO_DTL_005	REV	0



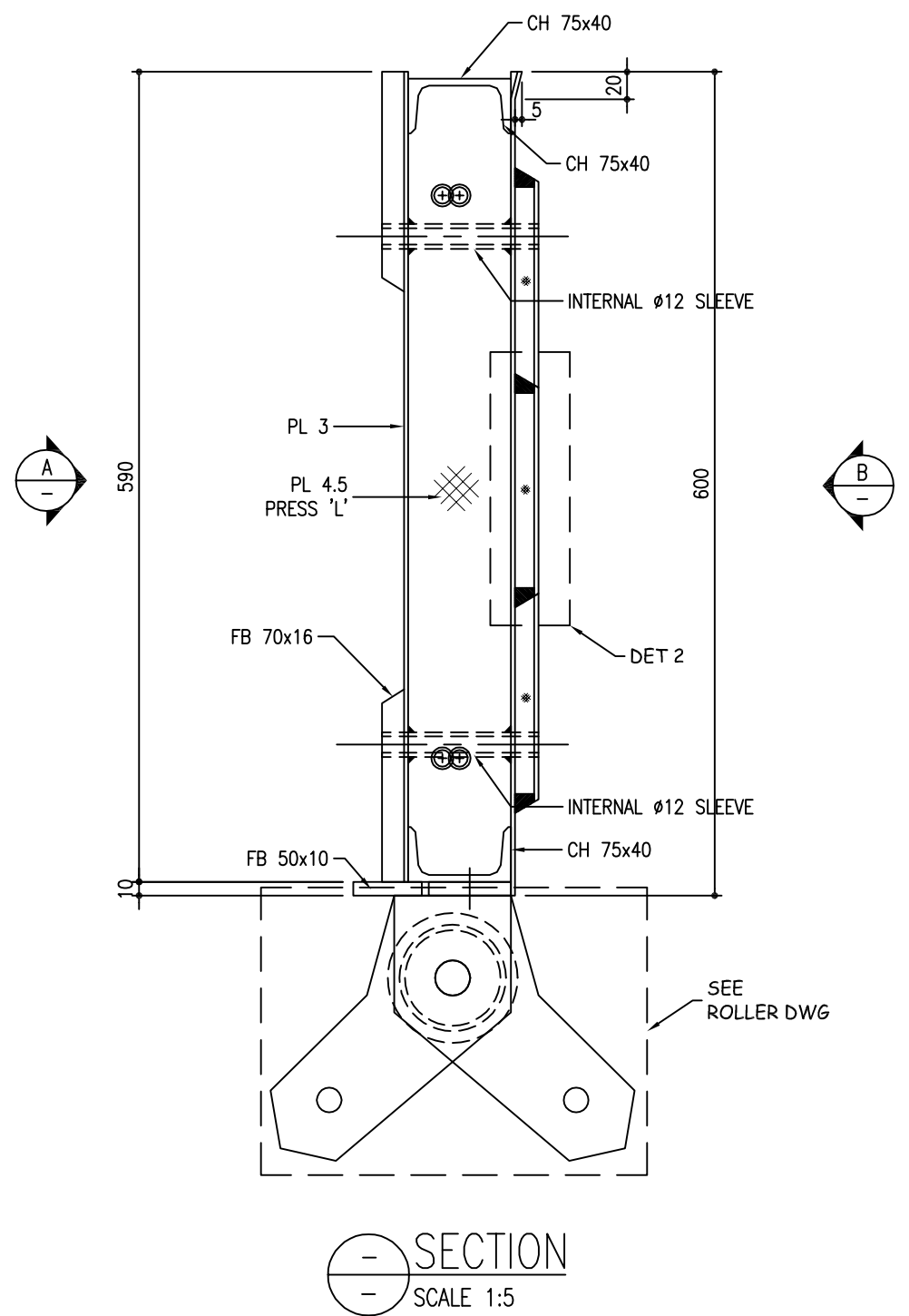
PLAN  
SCALE 1:15



A VIEW  
SCALE 1:15



B VIEW  
SCALE 1:15

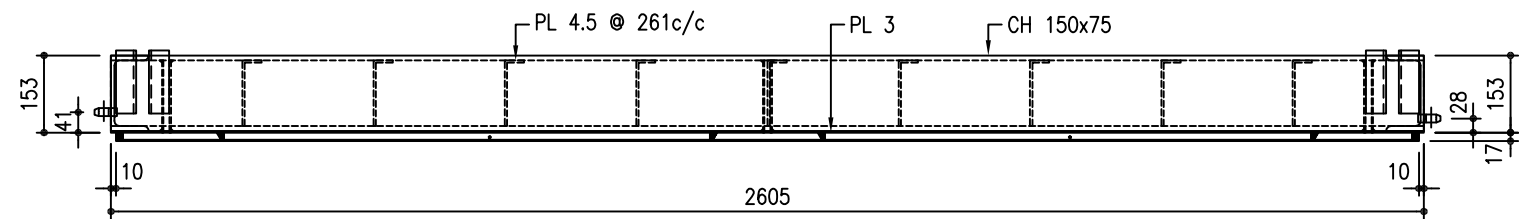


SECTION  
SCALE 1:5

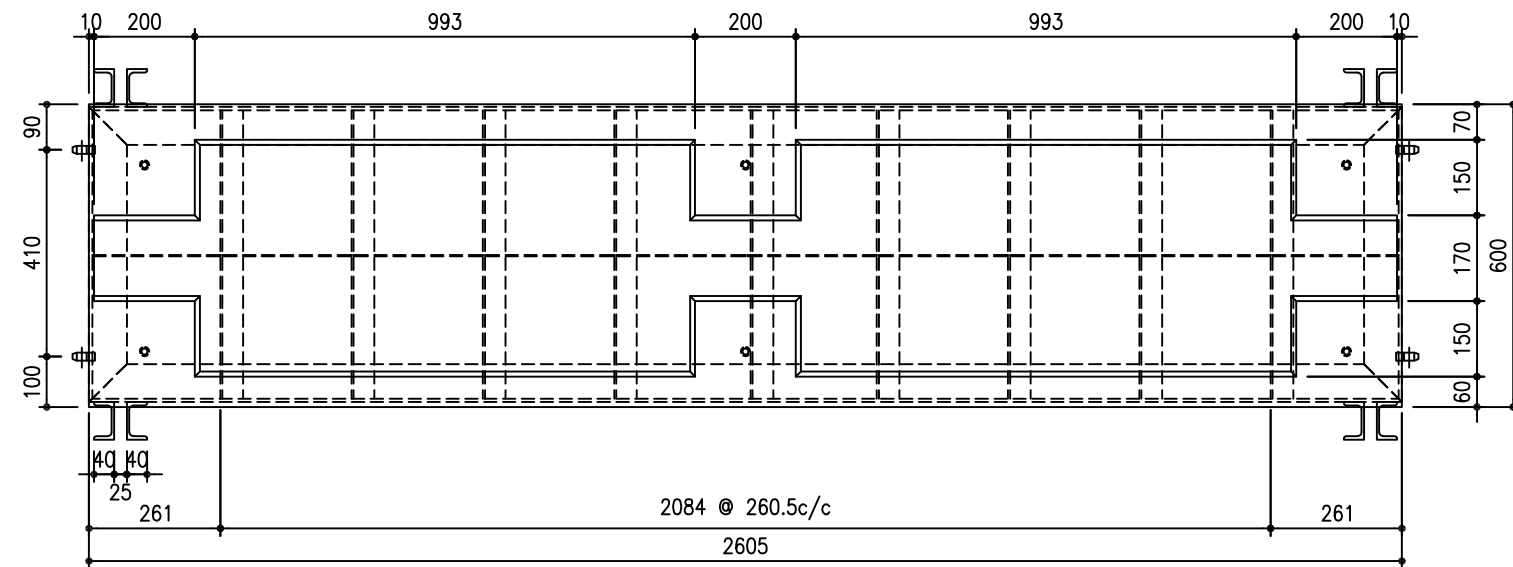
PROJECT					10-CELLS BATTERY MOULD FABRICATION				
DESIGNED					TG ONG		CHECKED		TG ONG
DRAWN					KYAW		APPROVED		TG ONG
SCALE					SCALE @ A3		DATE		04/02/13
REV	DATE	DRAWN	CHECKED	DESCRIPTION					
0	04/02/13	KYAW	TG ONG	FIRST ISSUE					

**BUILDGREEN (ASIA) PTE LTD**  
 60 Alexandra Terrace,  
 #10-08 The Comtech  
 Singapore 118502  
 Tel: (65) 6558 7677 Fax: (65) 6558 7767

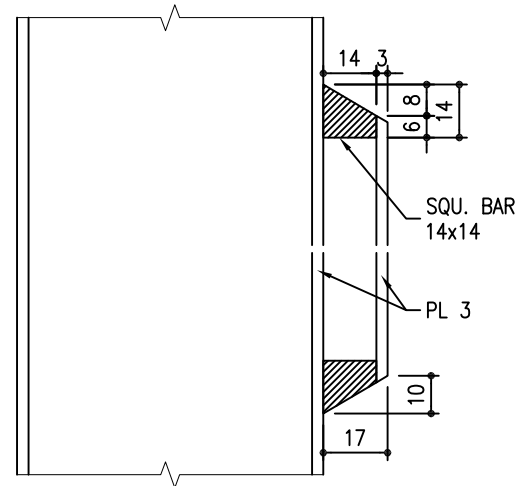
DRAWING TITLE		MIDDLE PANEL DETAIL	
DRAWING NO.		BG_FAB_WO_DTL_005	
SHEET		06 OF 09	
REV		0	



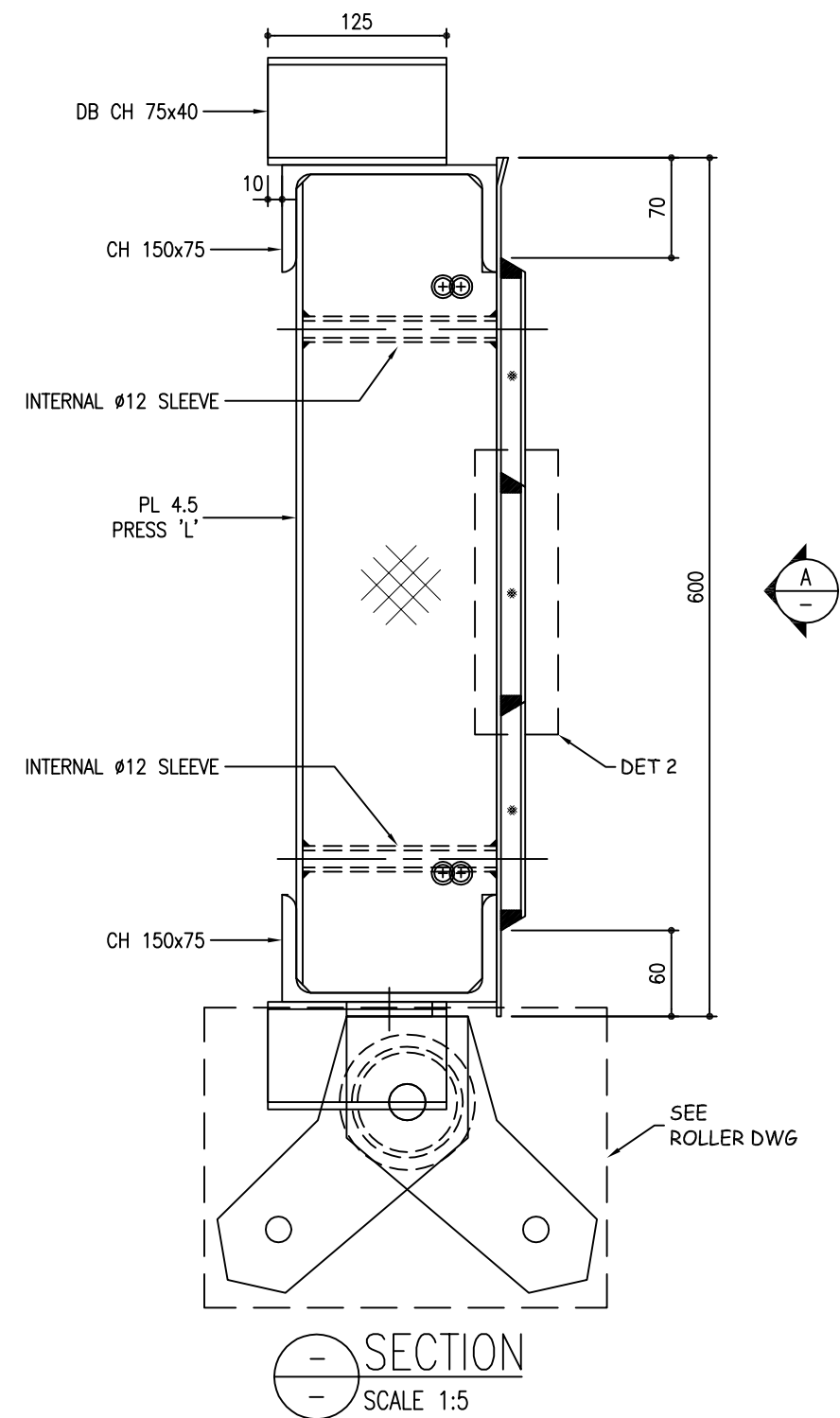
PLAN  
SCALE 1:15



A VIEW  
SCALE 1:15



DETAIL-2  
SCALE 1:1



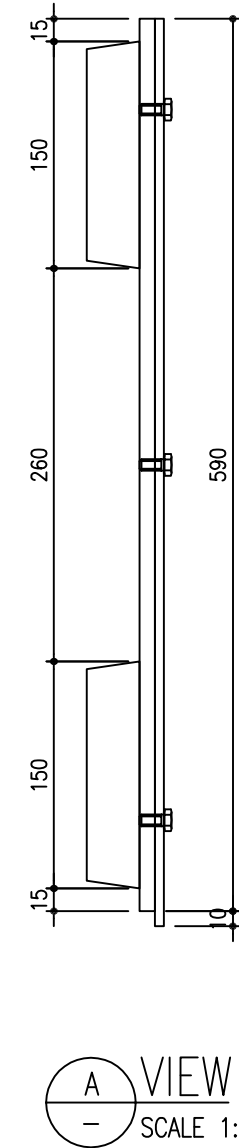
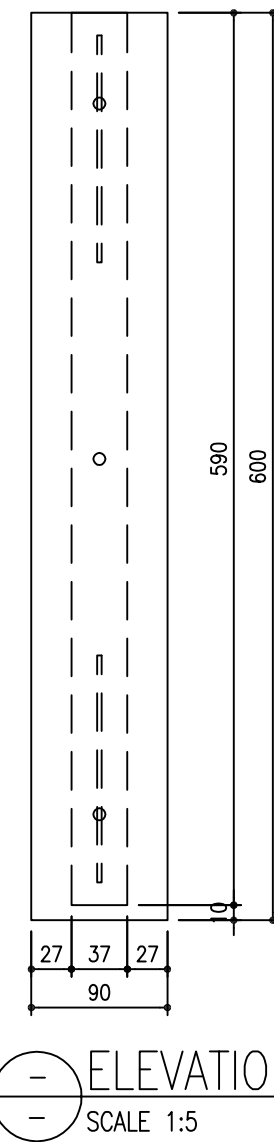
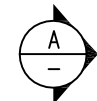
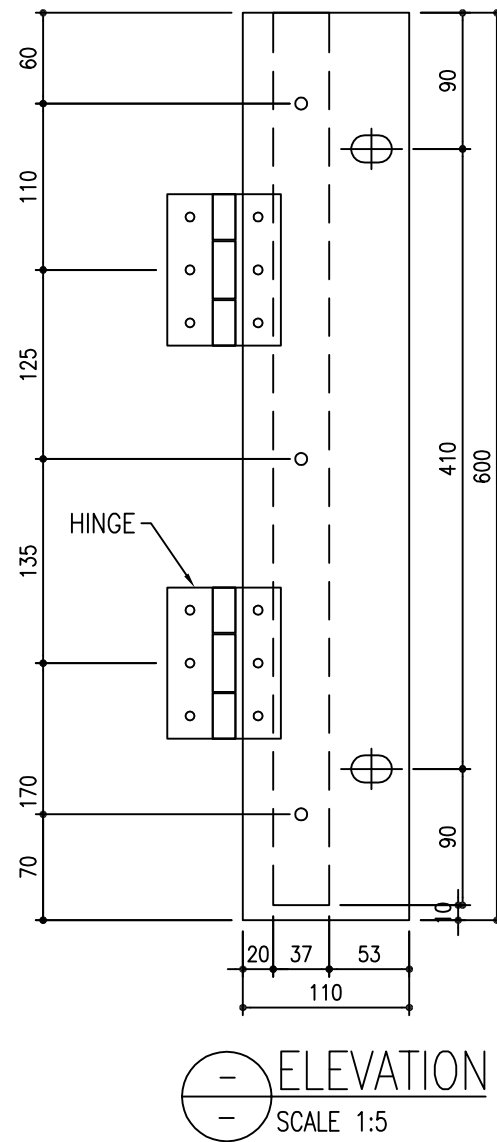
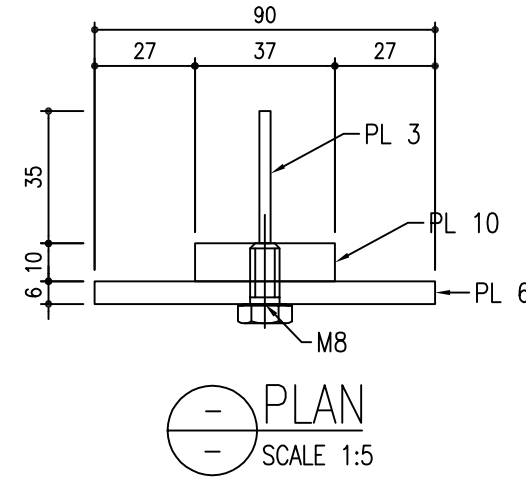
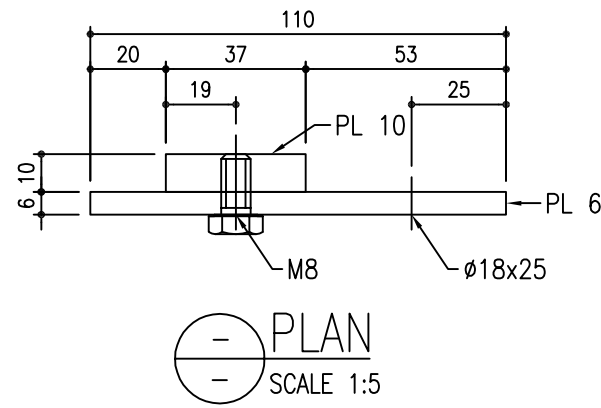
SECTION  
SCALE 1:5

REV	DATE	DRAWN	CHECKED	DESCRIPTION
0	04/02/13	KYAW	TG ONG	FIRST ISSUE

PROJECT			
10-CELLS BATTERY MOULD FABRICATION			
DESIGNED	TG ONG	CHECKED	TG ONG
DRAWN	KYAW	APPROVED	TG ONG
SCALE	SCALE @ A3	DATE	04/02/13

**BUILDGREEN (ASIA) PTE LTD**  
 60 Alexandra Terrace,  
 #10-08 The Comtech  
 Singapore 118502  
 Tel: (65) 6558 7677 Fax: (65) 6558 7767

DRAWING TITLE	
END PANEL DETAIL	
DRAWING NO.	BG_FAB_WO_DTL_005
SHEET	07 OF 09
REV	0



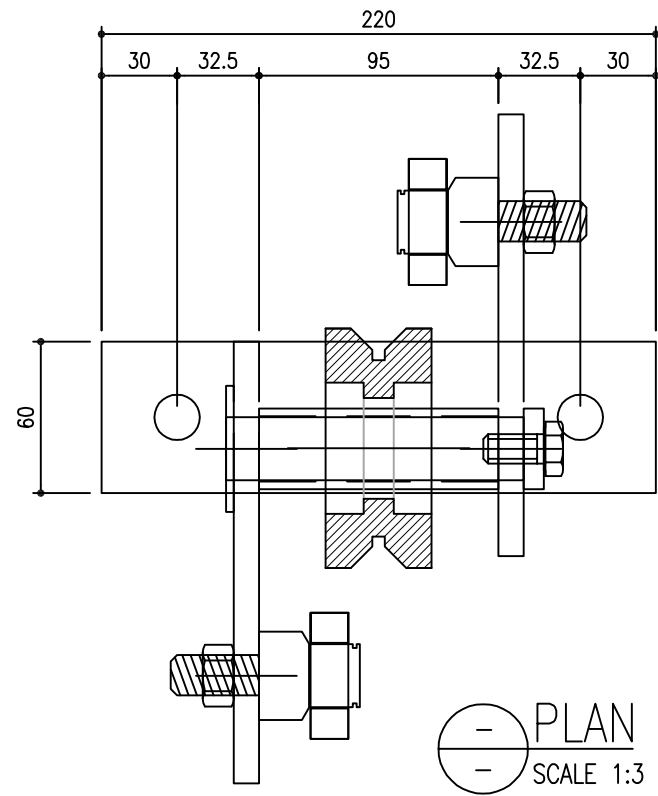
C:\Users\User\Documents\01\_BUILDGREEN (ASIA) PTE LTD\04\_FABRICATION\WORKING DRAWING\BG FAB WO DTL 005\BG FAB WO DTL 005.dwg-13-Feb-13

REV	DATE	DRAWN	CHECKED	DESCRIPTION
0	04/02/13	KYAW	TG ONG	FIRST ISSUE

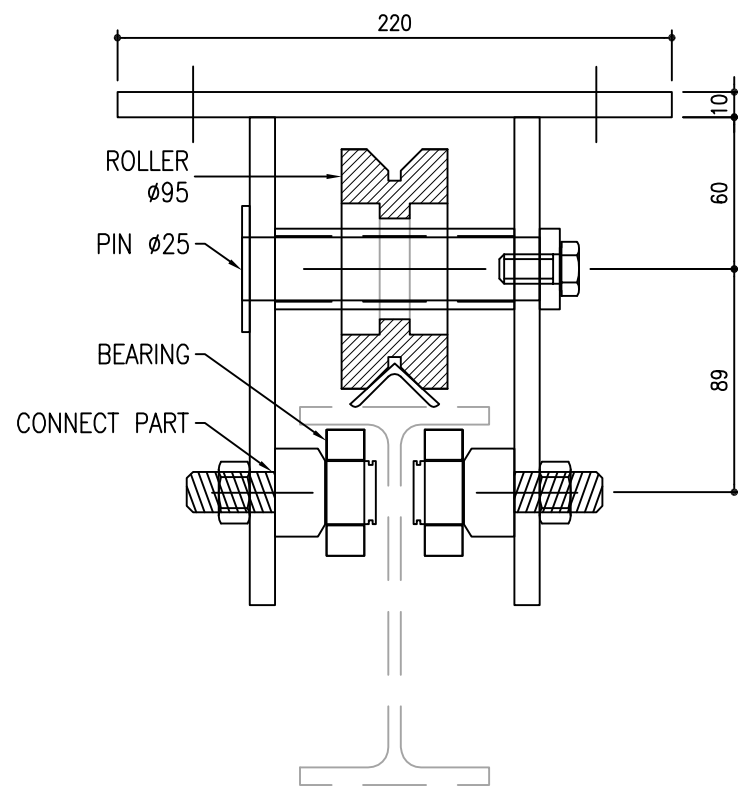
PROJECT			
10-CELLS BATTERY MOULD FABRICATION			
DESIGNED	TG ONG	CHECKED	TG ONG
DRAWN	KYAW	APPROVED	TG ONG
SCALE	SCALE @ A3	DATE	04/02/13

**BUILDGREEN (ASIA) PTE LTD**  
 60 Alexandra Terrace,  
 #10-08 The Comtech  
 Singapore 118502  
 Tel: (65) 6558 7677 Fax: (65) 6558 7767

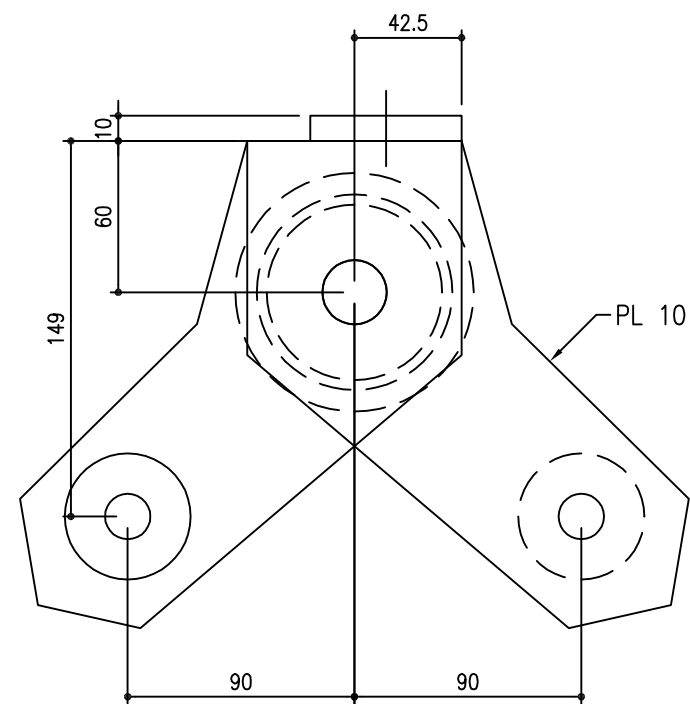
DRAWING TITLE	
END FORM DETAIL	
SHEET 08 OF 09	
DRAWING NO.	REV
BG_FAB_WO_DTL_005	0



PLAN  
SCALE 1:3



ELEVATION  
SCALE 1:3



SIDE VIEW  
SCALE 1:3

					PROJECT			
					10-CELLS BATTERY MOULD FABRICATION			
					DESIGNED	TG ONG	CHECKED	TG ONG
					DRAWN	KYAW	APPROVED	TG ONG
					SCALE	SCALE @ A3	DATE	04/02/13
REV	DATE	DRAWN	CHECKED	DESCRIPTION				
0	04/02/13	KYAW	TG ONG	FIRST ISSUE				

**BUILDGREEN (ASIA) PTE LTD**  
 60 Alexandra Terrace,  
 #10-08 The Comtech  
 Singapore 118502  
 Tel: (65) 6558 7677 Fax: (65) 6558 7767

DRAWING TITLE		ROLLER DETAIL	
DRAWING NO.		BG_FAB_WO_DTL_005	
SHEET		09 OF 09	
REV		0	