

Truckline



Securing of Load

Page 13/106



Compressed-air Lines and Accessories

Page 13/407



Accessories for Tarpaulin and Repair

Page 13/200



Filling and Bleeding Devices

Page 13/442



Hose Clamps

Page 13/224



Truckline Special Tools

Page 13/443



Tyre and Wheel Assembly

Page 13/225



Ladders

Page 13/454



Wiper Blades, Tachograph Discs, Thermopaper Rolls

Page 13/237



Core Drills - Metal

Page 13/455



Mirror, Rear Reflectors, Lamps

Page 13/243



Regrooving Tools

Page 13/472



Plugs and Sockets, Cables

Page 13/343



Markers, Protective Equipment

Page 13/390

One-piece Lashing Strap

- Strap fixation for roof racks, cargo beds, etc., for all types of light-weight cargo
- Complies with EN 12195
- Made of high-quality, high-strength polyester fibre (100%)
- Very low intrinsic weight, high loading capacity
- Strap helps prevent damage to surface even on sensitive cargo



| Technical Data | | | |
|----------------|--------------|-------------|--------------|
| Max. tension. | Strap length | Strap width | Strap colour |
| | m | mm | |
| 400 | 3 | 25 | green |
| 400 | 5 | 25 | green |

| Article No. | Article Description | QTY |
|-------------|-------------------------------|-----|
| 4980 250 | LASH.STRAP 200/ 400KG 25MM 3M | 1 |
| 4980 250 5 | LASH.STRAP 200/ 400KG 25MM 5M | 1 |

One-piece Ratchet Strap

- Strap fixation on cargo beds, trailers etc. for medium weight cargo
- Prevents cargo from shifting, protects against opening and damaging
- Can also be use for restraining carcasses
- Complies with EN 12195
- Made of high-quality, high-strength polyester fibre (100%) Very low intrinsic weight, high loading capacity
- Strap helps prevent damage to surface even on sensitive cargo



| Technical Data | | | |
|----------------|--------------|-------------|--------------|
| Max. tension. | Strap length | Strap width | Strap colour |
| | m | mm | |
| 800 | 4 | 25 | green |
| 800 | 6 | 25 | green |
| 1000 | 6 | 50 | green |
| 1000 | 8 | 50 | green |

| Article No. | Article Description | QTY |
|-------------|--------------------------------|-----|
| 4980 500 | STRAP ONE-PIECE400/800KG25MM4M | 1 |
| 4980 500 6 | STRAP ONE-PIE.400/800KG25MM6M | 1 |
| 4980 1000 6 | STRAP ONE-PI.500/1000KG50MM6M | 1 |
| 4980 1000 | STRAP ONE-PIE.500/1000KG50MM8M | 1 |

Two-Piece Ratchet Strap

- Strap and multi-point fixation on cargo beds, trailers etc., for all types of medium weight cargo
- Complies with EN 12195
- Made of high-quality, high-strength polyester fibre (100%)
- Very low intrinsic weight, high loading capacity
- Strap helps prevent damage to surface even on sensitive cargo



| Technical Data | | | | |
|----------------|------------------|--------------|-------------|--------|
| Max.tension. | Max.tension. | Strap length | Strap width | Strap |
| Direct tension | Circumfer-ential | m | mm | colour |
| 400 | 800 | 6 | 25 | green |
| 500 | 1000 | 6 | 50 | green |
| 500 | 1.000 | 12 | 50 | green |
| 1000 | 2000 | 6 | 35 | green |
| 1000 | 2000 | 6 | 35 | green |
| 1.000 | 2.000 | 12 | 35 | orange |

| Article No. | Article Description | QTY |
|----------------|--------------------------------|-----|
| 4981 500 | RATCH.STRAP400/800KG S-HOOK6M | 1 |
| 4981 1000 | RAT.STRAP500/1000KG POIN.H.6M | 1 |
| 4981 1000 12 1 | RAT.STRAP500/1000KG CAR.H.12M | 1 |
| 4981 2000 | RAT.STRAP1000/2000KG CAR.HO.6M | 1 |
| 4981 2000 1 | RAT.STRAP1000/2000KG POINT. 6M | 1 |
| 4981 2000 12 1 | RAT.STRAP1000/2000KG POINT.12M | 1 |

Two-Piece Ratchet Strap

- Strap and multi-point fixation
- Prevents **heavy** cargo from shifting
- According to EN 12195
- Made of high-quality, high-strength polyester fibre (100%)
- Very low intrinsic weight, high loading capacity
- Strap helps prevent damage to surface even on sensitive cargo
- Art. No. 4981P 5 and 4981P 10: with point hook



| Article No. | Article Description | QTY |
|----------------|--------------------------------|-----|
| 4981 4000 | STRAP 2000/4000KG CLAW HOOK 8M | 1 |
| 4981 4000 1 | STRAP 2000/4000KG POINT.HOOK8M | 1 |
| 4981P 5 | PK(5)STRAP 2000/4000KG 8M ECO | 1 |
| 4981P 10 | PK(10)STRAP 2000/4000KG 8M ECO | 1 |
| 4981 4000 10 1 | STRAP2000/4000KG POINT HO.10M | 1 |
| 4981 4000 12 1 | STRAP2000/4000KG POINT HO.12M | 1 |
| 4981 4000 2 | STRAP 2000/4000KG SNAP HOOK 8M | 1 |
| 4981 5000 | STRAP 2500/5000KG CLAW HOOK 8M | 1 |
| 4981 5000 1 | STRAP 2500/5000KG POINT HOOK8M | 1 |
| 4981 5000 10 | STRAP 2500/5000KG CLAW HO.10M | 1 |
| 4981 5000 10 1 | STRAP2500/5000KG POINT HO.10M | 1 |
| 4981 5000 12 1 | STRAP2500/5000KG POINT HO.12M | 1 |

| Technical Data | | | | | |
|--------------------------------|---------------------------------|-------------------|-------------------|-----------------|--|
| Max. tension Direct tension | Max. tension Circumferential | Strap length m | Strap width mm | Strap colour | |
| 2.000 | 4.000 | 8 | 50 | orange | |
| 2.000 | 4.000 | 8 | 50 | orange | |
| 2.000 | 4.000 | 8 | 50 | orange | |
| 2.000 | 4.000 | 8 | 50 | orange | |
| 2.000 | 4.000 | 10 | 50 | orange | |
| 2.000 | 4.000 | 12 | 50 | orange | |
| 2.000 | 4.000 | 8 | 50 | orange | |
| 2.500 | 5.000 | 8 | 50 | red | |
| 2.500 | 5.000 | 8 | 50 | red | |
| 2.500 | 5.000 | 10 | 50 | red | |
| 2.500 | 5.000 | 10 | 50 | red | |
| 2.500 | 5.000 | 12 | 50 | red | |

Straps with Customised Printing

- 2-part ratchet straps for heavy-duty sectors
- According to EN 12195 2
- Made of high-quality, high-strength polyester fibres (100 %)
- Continuous printing with max. 30 characters (incl. spaces)



| Article No. | Article Description | QTY |
|-----------------|-------------------------------|-----|
| 4981P 4000 1 10 | PK(10)STRAP 4000KG PRINTED 8M | 1 |
| 4981P 5000 1 | PK(10)STRAP 5000KG PRINTED 8M | 1 |

| Technical Data | | | | | |
|--|---|----------------------|----------------------|-----------------|--|
| Max. tension Fzul.(daN) Direct tension | Max. tension Fzul.(daN) Circumferential | Strap length m | Strap width mm | Strap colour | |
| 2.000 | 4.000 | 8 | 50 | orange | |
| 2.500 | 5.000 | 8 | 50 | red | |

Straps with L-Ratchet, 2-Part

- L-ratchet, loading recommendation at e.g. wood transport
- According to EN 12195 2
- STF: 500 daN (pre-tension performance)
- Straps with hooks
- Pre-tension performance up to 1000 daN possible
- Tensioning of the strap happens during pulling action which makes the work easier
- Due to higher pre-tensioning power the load can be secured with less straps, thus less expenditure of costs and time



| Article No. | Article Description | QTY |
|-------------|--------------------------------|-----|
| 4981 4000 3 | STRAP 2000/4000KG L-RATCHET 8M | 1 |
| 4981 5000 3 | STRAP 2500/5000KG L-RATCHET 8M | 1 |

| Technical Data | | | | | |
|--|---|----------------------|----------------------|-----------------|--|
| Max. tension Fzul.(daN) Direct tension | Max. tension Fzul.(daN) Circumferential | Strap length m | Strap width mm | Strap colour | |
| 2.000 | 4.000 | 8 | 50 | orange | |
| 2.500 | 5.000 | 8 | 50 | red | |

Two-Piece Ratchet Lashing Strap, Auto-Transport



- Made of high-strength polyester fabric (100%)
- Tested according to EN 12195-2
- Lashing belt with pointed hook

Art. No. 4981 02 23:

- Controller, solid rubber

Art. No. 4981 02 23 1:

- Rubberized

Art. No. 4981 02 25:

- 3x plastic blocks

1.: Ratchet with belt and pointed hook

2.: Ratchet directly at the hook



Technical Data

| Art. No. | Perm. tension Pre-tension(daN) Direct tension | Belt length m | Belt width mm | Belt colour |
|--------------|---|------------------|------------------|-------------|
| 4981 02 23 | 1.500 | 2.5 | 50 | blue |
| 4981 02 23 1 | 1.500 | 2.5 | 50 | blue |
| 4981 02 25 | 1.500 | 2.7 | 50 | blue |
| 4981 02 23 2 | 1.500 | 2.5 | 50 | blue |
| 4981 02 23 3 | 1.500 | 2.5 | 50 | blue |
| 4981 02 23 4 | 1.500 | 2.5 | 50 | blue |



| Article No. | Article Description | QTY |
|--------------|-----------------------------------|-----|
| 4981 02 23 | AUT.TRANS.SP.STRAP W.CONTR.2.5M | 1 |
| 4981 02 23 1 | AUT.TRANS.SP.STRAP W.RUBBER 2.5M | 1 |
| 4981 02 25 | AUT.TRANS.SP.STRAP W.PLAST.2.7M | 1 |
| 4981 02 23 2 | AUT.TRANS.SP.STRAP W. CONTR.2.5M | 1 |
| 4981 02 23 3 | AUT.TRANS.SP.STRAP W.RUB.HOOK2.5M | 1 |
| 4981 02 23 4 | AUT.TRANS.SP.STRAP W.PLAST.2.5M | 1 |

Auto-Transport Lashing Strap

- Made of high-strength polyester fibres (100%)
- Tested according to EN 12195-2
- Lashing strap with pointed hook

Art. No. 4981 02 25 1:

- Cross belt and protective hose included

Art. No. 4981 02 15:

- Protective hose included
- Hook directly at the ratchet



4981 02 25 1



4981 02 15

| Article No. | Article Description | QTY |
|--------------|-----------------------------------|-----|
| 4981 02 25 1 | AUT.TRANS.SP.STR.W.HOSE TYRE 2.5M | 1 |
| 4981 02 15 | AUT.TRANSPORT BELT RIM 1.5M | 1 |

Two-Piece Ratchet Strap for Vario-End Piece

- Strap and multi-point fixation
- Low-wear due to PU-coated polyester fabric (PES) in accordance with DIN EN 12195-2
- Strap equipped with end fitting Vario-end piece as well as for lashing rail systems
- Direct lashing force: 750 daN
- Strapping force: 1500 daN
- Belt width: 50 mm



| Article No. | Article Description | QTY |
|-------------|--------------------------------|-----|
| 4981 1500 1 | RAT.STRAP750/1500KG F.VARIO 5M | 1 |

Lashing Down Net

- Circumferential with 14 D-rings at the net and 4 clamping hooks at the front
- Including 4 belts à 4.0 m with pointed hooks
- Dekra certificated

Technical Data

| | |
|-----------------------|---------------------|
| Sizes: | 1.575 mm x 1.350 mm |
| Mesh: | 200 x 200 mm |
| Belt width: | 25 mm |
| Breaking load: | 2.000 daN |



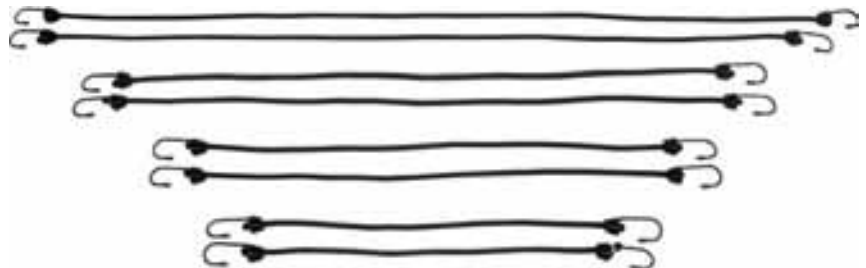
| Article No. | Article Description | QTY |
|----------------|--------------------------------|-----|
| 4987 6 157 135 | LASH.DOWN NET 1.57X1.35MESH200 | 1 |

Tensioner Set 8-Piece

- With coated steel hooks
- End capas made of plastic
- Latex rubber strand with PP braiding, Ø 7 mm

Set consists of:

- 2x tensioner 45 cm
- 2x tensioner 60 cm
- 2x tensioner 80 cm
- 2x tensioner 100 cm



| Article No. | Article Description | QTY |
|-------------|-----------------------|-----|
| 3400 8 | TENSIONER SET 8-PIECE | 1 |

Lashing Belt Reel

- Belt width up to 50 mm
- For snap hooking on tailboards (15-35 mm)



| Article No. | Article Description | QTY |
|-------------|---------------------|-----|
| 4980 5 | LASHING BELT REEL | 1 |

Anti-Skid Mat

- Reduces the pre-tension force when lashing down
- Black PU-combined rubber granulate material
- Value of sliding friction according to VDI 2700; 0.7 μ



| Article No. | Article Description | QTY |
|-----------------|-----------------------------|-----|
| 4984 3 600 150 | ANTI-SKID MAT 600X150X3MM | 10 |
| 4984 8 130 110 | ANTI-SKID MAT 130X110X8MM | 10 |
| 4984 8 5000 250 | RO(5M)ANTI-SKID MAT 250X8MM | 1 |

Edge Protection Angle

- Ideal belt fixation due to side guidance or slot
- For the protection of the belt strap in case of sharp-edged transport material

Art. No. 4984 7 80 80 and 4984 7 80 85:

- Suitable for load-securing of paper rolls and barrels



| Article No. | Article Description | QTY |
|--------------|--------------------------------|-----|
| 4984 7 50 | EDGE PROTECTION 50MM BLACK | 10 |
| 4984 7 50 80 | EDGE PROTECTION 50/80MM BLACK | 10 |
| 4984 7 60 90 | EDGE PROTECTION 60/90MM GREY | 1 |
| 4984 7 80 80 | EDGE PROTECTION 80/80MM YELLOW | 1 |
| 4984 7 80 85 | EDGE PROTECTION 80/85MM RED | 1 |

| Technische Daten | | | |
|-------------------|-------------|---------------------------|------------------------|
| Side length mm | Width mm | Slot guidance up to mm | Guide edge up to mm |
| 60 x 60 | 60 | - | 50 |
| 90 x 90 | 105 | 50 | 80 |
| 90 x 90 | 127 | 60 | 90 |
| 120 x 155 | 140 | 80 | 80 |
| 140 x 185 | 145 | 80 | 85 |

Edge Protection

- Protects belt webbing of **sharp-edged** goods to be transported

Art. No. 4984 50 1

- Made of polyurethane (PU), flexible

Art. No. 4984 7 190 190

- Made of polyethylene (PE)

| Article No. | Article Description | QTY |
|----------------|--------------------------------|-----|
| 4984 50 1 | EDGE PROTECTION WHITE 320X95MM | 1 |
| 4984 7 190 190 | EDGE PROTECT.ANGLE 1000X190MM | 1 |



Edge/Abrasion Protection Hose

- Protects belt webbing of **rough** goods to be transported

Art. No. 4984 50

- Polyester fabric

Art. No. 4984 50 5

- Rubber
- Can be cut to required length



| Article No. | Article Description | QTY |
|-------------|-------------------------------|-----|
| 4984 50 | EDGE PROTECTION HOSE 300X50MM | 1 |
| 4984 50 5 | RO(5M)EDGE PROTECT.HOSE 60MM | 1 |

Round Slings according to EN 1492-2

- Made of high-strength polyester
- Gentle treatment of delivery units
- Colour coding of slings according to European Standard CEN



| Article No. | Article Description | QTY |
|-------------|------------------------------|-----|
| 4982 1000 2 | ROUND SLING VIOLET 1000KG 2M | 1 |
| 4982 1000 | ROUND SLING VIOLET 1000KG 3M | 1 |
| 4982 1000 4 | ROUND SLING VIOLET 1000KG 4M | 1 |
| 4982 1000 6 | ROUND SLING VIOLET 1000KG 6M | 1 |
| 4982 2000 2 | ROUND SLING GREEN 2000KG 2M | 1 |
| 4982 2000 3 | ROUND SLING GREEN 2000KG 3M | 1 |
| 4982 2000 | ROUND SLING GREEN 2000KG 4M | 1 |
| 4982 2000 6 | ROUND SLING GREEN 2000KG 6M | 1 |
| 4982 3000 2 | ROUND SLING YELLOW 3000KG 2M | 1 |
| 4982 3000 3 | ROUND SLING YELLOW 3000KG 3M | 1 |
| 4982 3000 4 | ROUND SLING YELLOW 3000KG 4M | 1 |
| 4982 3000 6 | ROUND SLING YELLOW 3000KG 6M | 1 |
| 4982 4000 4 | ROUND SLING GREY 4000KG 4M | 1 |

| Technical Data | | | |
|----------------------|---------------------|---------------|---------------------------------------|
| Rated capacity in kg | Circumfer. length m | Hose width mm | Colour code acc. to Euro-Standard CEN |
| 1.000 | 2 | 46 | violet |
| 1.000 | 3 | 46 | violet |
| 1.000 | 4 | 46 | violet |
| 1.000 | 6 | 46 | violet |
| 2.000 | 2 | 46 | green |
| 2.000 | 3 | 46 | green |
| 2.000 | 4 | 46 | green |
| 2.000 | 6 | 46 | green |
| 3.000 | 2 | 47 | yellow |
| 3.000 | 3 | 47 | yellow |
| 3.000 | 4 | 47 | yellow |
| 3.000 | 6 | 47 | yellow |
| 4.000 | 4 | 47 | grey |

Lifting Slings according to EN 1492-1

- Made of high-strength polyester
- Gentle treatment of delivery units
- Colour coding of slings according to European Standard CEN



| Article No. | Article Description | QTY |
|-------------|--------------------------------|-----|
| 4983 1000 2 | LIFTING SLINGS VIOL.1000KG 2M | 1 |
| 4983 1000 | LIFTING SLINGS VIOL.1000KG 4M | 1 |
| 4983 1000 6 | LIFTING SLINGS VIOL.1000KG 6M | 1 |
| 4983 2000 2 | LIFTING SLING GREEN 2000KG 2M | 1 |
| 4983 2000 4 | LIFTING SLING GREEN 2000KG 4M | 1 |
| 4983 2000 | LIFTING SLING GREEN 2000KG 6M | 1 |
| 4983 3000 2 | LIFTING SLING YELLOW 3000KG 2M | 1 |
| 4983 3000 4 | LIFTING SLING YELLOW 3000KG 4M | 1 |
| 4983 3000 6 | LIFTING SLING YELLOW 3000KG 6M | 1 |

| Technical Data | | | |
|----------------------|---------------------|---------------|---------------------------------------|
| Rated capacity in kg | Circumfer. length m | Belt width mm | Colour code acc. to Euro-Standard CEN |
| 1.000 | 2 | 30 | violet |
| 1.000 | 4 | 30 | violet |
| 1.000 | 6 | 30 | violet |
| 2.000 | 2 | 60 | green |
| 2.000 | 4 | 60 | green |
| 2.000 | 6 | 60 | green |
| 3.000 | 2 | 90 | yellow |
| 3.000 | 4 | 90 | yellow |
| 3.000 | 6 | 90 | yellow |

Slings

- Ideal for wood-frame and prefabricated houses
- Belt width: 49 mm
- Total coverage:
- Art. No. 4982 540 08: 0.8 m
- Art. No. 4982 540 1: 1.0 m
- Belt colour: black



| Article No. | Article Description | QTY |
|-------------|-----------------------|-----|
| 4982 540 08 | BAND SLING 540KG 0.8M | 1 z |
| 4982 540 1 | BAND SLING 540KG 1M | 1 z |

Chain Sling with Load Hooks, 2-Strand

- Load capacity: 0° - 45° = 2800 kg, 45° - 60° = 2000 kg
- Chain link thickness: 8 mm



| Article No. | Article Description | QTY |
|-------------|-----------------------------|-----|
| 4983 2 2 8 | 2-STRAND CHAIN SLING 2M/8MM | 1 |
| 4983 2 4 8 | 2-STRAND CHAIN SLING 4M/8MM | 1 |

Chain Sling with Load Hooks, 4-Strand

- Load capacity: 0° - 45° = 4250 kg, 45° - 60° = 3000 kg
- Chain link thickness: 8 mm



| Article No. | Article Description | QTY |
|-------------|----------------------------|-----|
| 4983 4 2 8 | 4STRAND CHAIN SLING 2M/ | 1 |
| 4983 4 4 8 | 4STRAND CHAIN SLING 4M/8MM | 1 |

Binding / Framing Cord

- With loop
- High tear strength
- With 4 strands
- Thickness: 8 mm



| Article No. | Article Description | QTY |
|-------------|-----------------------|------|
| 4982 25 | PP BINDING CORD 2.5M | e 10 |
| 4982 25 1 | JUTE BINDING CORD2.5M | e 10 |

Container Covering Net

- Made of high-strength PP (polypropylene)
- With solid closing edge

Technical Data

Colour: green
Mesh width: 45 mm
Material strength: 3.0 mm

| Article No. | Article Description | QTY |
|---------------|--------------------------------|-----|
| 4987 1 35 5 4 | CONT.COVER.NET 3.5X5M GREEN3MM | 1 |
| 4987 1 35 6 4 | CONT.COVER.NET 3.5X6M GREEN3MM | 1 |
| 4987 1 35 7 4 | CONT.COVER.NET 3.5X7M GREEN3MM | 1 |
| 4987 1 35 8 4 | CONT.COVER.NET 3.5X8M GREEN3MM | 1 |



Container Tarpaulin

- Air-permeable plastic tarpaulin
- Especially suitable for small particles such as sand, grit etc.
- UV resistant
- With edge strengthening
- Tarpaulin lugs in distance of 50 cm

Technical Data

Colour: dark-green
Weight: approx. 200 g/m²
Material: PE-small bands

| Article No. | Article Description | QTY |
|---------------|--------------------------------|-----|
| 4987 2 35 5 4 | CONT.TARP.AIR-PERMEABLE 3.5X5M | 1 |
| 4987 2 35 6 4 | CONT.TARP.AIR-PERMEABLE 3.5X6M | 1 |
| 4987 2 35 7 4 | CONT.TARP.AIR-PERMEABLE 3.5X7M | 1 |
| 4987 2 35 8 4 | CONT.TARP.AIR-PERMEABLE 3.5X8M | 1 |



Covering Net for Trailer/Platform

- Made of high-strength PP (polypropylene)
- For safe transport and coverage of loaded trailers or platforms
- With 6 mm rubber tensioning string

Technical Data

Colour: green
Mesh width: 45 mm
Material strength: 3. mm

| Article No. | Article Description | QTY |
|----------------|--------------------------------|-----|
| 4987 3 2 3 4 | COV.NET TRAIL.2X3M TENS.STRING | 1 |
| 4987 3 3 4 4 | COV.NET TRAIL.3X4M TENS.STRING | 1 |
| 4987 3 3 35 4 | COV.NET TRAI.3X3.5M TEN.STRING | 1 |
| 4987 3 25 35 4 | COV.NET TRAI.2.5X3.5M T.STRING | 1 |



Clamping Beam

For superstructures and containers

- Can be used for vertical and horizontal securing of loads
- Slip protection due to rubber feet on both ends
- Spring in tube for more flexibility
- Material: Aluminium
- Tube-Ø: 38 mm / 42 mm



| Article No. | Article Description | QTY |
|-------------|--------------------------------|-----|
| 4984 38 4 | PK(4)CLAMP.BEAM 38MM ALU2630MM | 1 |
| 4984 38 55 | PK(55)CLAMPING BEAM 38MM ALU | 1 |
| 4984 38 1 | RUBBER FEET 20MM F.CLAMP.BEAM | 1 |
| 4984 38 2 | REP.KIT HOUSING+LEVER+RACK. | 1 |
| 4984 42 1 4 | PK(4)CLAMP.BEAM 42MM ALU2720MM | 1 |
| 4984 42 2 4 | PK(4)CLAMP.BEAM 42MM ALU3020MM | 1 |

| Technical Data | |
|-------------------|--------|
| Application range | Weight |
| 2260 - 2630 mm | 4.6 kg |
| 2260 - 2630 mm | 4.6 kg |
| - | - |
| 2350 - 2720 mm | 4.7 kg |
| 2550 - 3020 mm | 4.9 kg |

Intermediate Wall Lock

- For pushing on and clamping on tailboard or on tarpaulin frame
- Material: Aluminium
End piece: Steel



| Article No. | Article Description | QTY |
|---------------|--------------------------------|-----|
| 4984 21 36 | INTERMED.WALL LOCK 2.4-2.7M | 1 |
| 4984 21 36 30 | PK(30)INTERM.WALL LOCK2.4-2.7M | 1 |
| 4984 21 36 1 | END PIECE FOR INTERM.WALL LOCK | 1 |

| Technical Data | | | |
|----------------|-------------------|--------------|--------|
| Alu profile | Application range | Clamp. range | Weight |
| 125 x 30 mm | 2400 - 2700 mm | 21 - 36 mm | 11 kg |

Intermediate Wall Lock Vario-End Piece

- For pushing on and clamping on tailboard or on tarpaulin frame
- Provides a flexible secure load in connection with lashing straps
- Receiving part with 3 slots for anchor bar belts and a D-ring for hanging up lashing straps
- Material: Galvanized steel with anti-skid rubber coating
- Clamping range: 21-36 mm



| Article No. | Article Description | QTY |
|-------------|-----------------------------|-----|
| 4981 20 | VARIO END-PIECE SECURE LOAD | 1 |



2-piece lashing strap with end fitting



2-piece lashing strap with hook



1-piece lashing strap

Intermediate Wall Lock, Square

- For pushing on and clamping on tailboard or on tarpaulin frame
- Ideal for utility vehicles or trailers
- Can be used in longitudinal and transverse direction
- Material: zinc-plated steel
- End piece: steel with anti-skid rubber coating



| Article No. | Article Description | QTY |
|-------------|--------------------------------|-----|
| 4984 19 27 | PK(4)IN.W.LOCK SQUARE 1.9-2.7M | 1 |

| Technical Data | | | |
|------------------|-------------------|----------------|--------|
| Steel profile zi | Application range | Clamping range | Weight |
| 40 x 40 mm | 1920 - 2720 mm | 25 - 35 mm | 7.5 kg |

Shoring Beam - Adjustable

- Usable in superstructures, lorries, containers etc.
- Used in combination with round hole or rail for positive securing of loads
- End peg: conical peg 19/24/33 mm
- Art. No. 4984 30 4, 4984 32 4:**
- Round shoring beam
- Art. No. 4984 31 4:**
- Round shoring beam with PVC coating
- Art. No. 4984 33 4:**
- Square shoring beam
- Profile: 40 x 40 mm



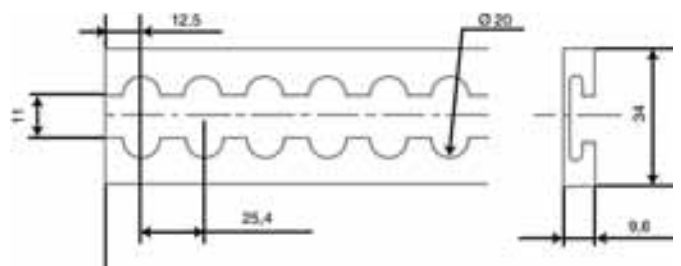
| Article No. | Article Description | QTY |
|-------------|--------------------------------|-----|
| 4984 30 4 | PK(4)R.SHOR.BEAM ST W.CONI.PEG | 1 |
| 4984 31 4 | PK(4)R.SH.BEAM ST CON.PEG PVC | 1 |
| 4984 32 4 | PK(4)R.SH.BEAM ALU W.CON.PVC | 1 |
| 4984 33 4 | PK(4)SQUA.SHO.BEAM ST CON.PEG | 1 |

| Technical Data | | |
|----------------|-------------------|--------|
| Art. No. | Application range | Weight |
| 4984 30 4 | 2190 - 2650 mm | 7.0 kg |
| 4984 31 4 | 2190 - 2650 mm | 7.4 kg |
| 4984 32 4 | 2190 - 2650 mm | 4.0 kg |
| 4984 33 4 | 2440 - 2520 mm | 7.5 kg |

ST=steel CON=conical peg PVC=PVC coating

Airline Rail, Aluminium

- Airline rails also known as anchor bars or lashing rails
- For attaching or mounting on vehicle body floor as well as on the vehicle side panels
- E.g. trailer, in transporter, van, bus, camper or caravan
- Fixing shoring beams and lashing straps with the corresponding suitable fittings



| Article No. | Article Description | QTY |
|-------------|--------------------------------|-----|
| 4984 34 2 | AIRLINE RAIL ALU 34X9.6MM 2M | 1 |
| 4984 34 15 | AIRLINE RAIL ALU 34X9.6MM 1.5M | 1 |

Tarpaulin Ropes

- Made of plastic, in rolls
- 3400 1 6 250: transparent, with steel core = TIR cable
- 3400 1 8 100: transparent, with steel core = TIR cable
- 3400 2 8 100: transparent, nylon 3400 2 8 250: transparent, nylon
- 3400 3 8 100: transparent, sisal
- 3400 3 8 250: transparent, sisal
- 3400 4 8 100: silver
- 3400 5 8 100: transparent



| Article No. | Article Description | QTY |
|--------------|--------------------------------|-----|
| 3400 1 6 250 | MTR.TARPAUL.CABLE STEEL CO 6MM | 250 |
| 3400 1 8 100 | MTR.TARPAUL.CABLE STEEL CO 8MM | 100 |
| 3400 2 8 100 | MTR.TARPAUL.CABLE NYLON 8MM | 100 |
| 3400 2 8 250 | MTR.TARPAUL.CABLE NYLON 8MM | 250 |
| 3400 3 8 100 | MTR.TARPAUL.CABLE SISA 8MM | 100 |
| 3400 3 8 250 | MTR.TARPAUL.CABLE SISA 8MM | 250 |
| 3400 4 8 100 | MTR.TARPAUL.CABLE PL.SILV.8MM | 100 |
| 3400 5 8 100 | MTR.TARPAUL.CABLE PL.TRANS.8MM | 100 |

Stretch Cables

- Rubber, nylon jacket, white-black

| Article No. | Article Description | QTY |
|---------------|-----------------------------|-----|
| 3400 6 8 100 | MTR.STRETCH CABLE BLA-.8MM | 100 |
| 3400 6 10 100 | MTR.STRETCH CABLE BLA-.10MM | 100 |



Cutter for TIR Cable

| Article No. | Article Description | QTY |
|-------------|----------------------|-----|
| 3401 1 | CUTTER FOR TIR CABLE | 1 |



Cable End Fittings

- Complete with Simplex snaphook 55 mm, zinc-plated
- For 8 / 10 mm cable dia

| Article No. | Article Description | QTY |
|-------------|-------------------------------|-----|
| 3401 2 8 | CABLE END FIT.+SIMPLEHO.8.5MM | 50 |
| 3401 2 10 | PVCTIR CABLE+SIMPLEXHOOK 10MM | 25 |



Simplex Snaphook

- Zinc-plated
- Length 55 mm

| Article No. | Article Description | QTY |
|-------------|--------------------------|-----|
| 3401 2 55 | SIMPLEX SNAPHOOK ZI 55MM | 25 |



Clamping Ring, Zinc-plated

- For fabricating loops or connections / extensions with tarpaulin and stretch cables

| Article No. | Article Description | QTY |
|-------------|------------------------|-----|
| 3401 8 8 | CLAMPING RINGS ZI 8MM | 25 |
| 3401 8 10 | CLAMPING RINGS ZI 10MM | 25 |



Cable TIR End Fitting

- Zinc-plated

| Article No. | Article Description | QTY |
|-------------|---------------------------|-----|
| 3401 3 8 | CABLE TIR END CLOSURE 8MM | 50 |
| 3401 3 6 | CABLE TIR END CLOSURE 6MM | 50 |



Brass Oval Rivet

| Article No. | Article Description | QTY |
|-------------|----------------------|-----|
| 3401 3 8 1 | BRASS OVAL RIVET 8MM | 100 |
| 3401 3 6 1 | BRASS OVAL RIVET 6MM | 100 |



Pointed Rivet

- For 6 and 8 mm TIR cable end fittings

| Article No. | Article Description | QTY |
|-------------|-----------------------------|-----|
| 3401 3 8 2 | AL. POINTED RIVET 2.9X21 MM | 100 |



Fixing Tool for Cable Ends

- 3401 4 61 and 3401 4 81: complete each with 1 spear, holder for spear, punch, lower part

| Article No. | Article Description | QTY |
|-------------|-------------------------|-----|
| 3401 4 8 1 | TOOL FOR CABLE ENDS 8MM | 1 |
| 3401 4 8 2 | REPLACEMENT SPEAR 6+8MM | 1 |
| 3401 4 8 3 | REPLACEMENT HOLDER 8MM | 1 |
| 3401 4 8 4 | REPLACEMENT DIE 8MM | 1 |
| 3401 4 6 1 | TOOL FOR CABLE ENDS 6MM | 1 |
| 3401 4 6 3 | REPLACEMENT HOLDER 6MM | 1 |
| 3401 4 6 4 | REPLACEMENT DIE 6MM | 1 |



Spiral Hook for Stretch Cables

- Plastic covered, black
- For 8 / 10 mm cable dia
- 3401 5 15: for spinhook 8 and 10 mm

| Article No. | Article Description | QTY |
|-------------|--------------------------------|-----|
| 3401 5 8 | SPIRAL HOOK F.STRETCH CABLE8MM | 25 |
| 3401 5 10 | SPIR.HOOK F.STRETCH CABLE10MM | 25 |
| 3401 5 15 | PLASTIC WEDGE FOR SPIRAL HOOK | 25 |



Carabiner Snaphook for Stretch Cables

- Plastic black
- For 8 mm cable dia

| Article No. | Article Description | QTY |
|-------------|--------------------------------|-----|
| 3401 6 8 | KAR.SNAPH.F.ELAST.CABLE PL.8MM | 25 |



S-Hook

| Article No. | Article Description | QTY |
|-------------|---------------------------|-----|
| 3401 7 3 25 | S-HOOK ZINC PLATED 3X25MM | 25 |
| 3401 7 4 35 | S-HOOK ZINC PLATED 4X35MM | 25 |

(dia x total length in mm)



Shackle Bracket with Straight Plate

- With 2 holes, zinc-plated
- For round eyelets dia. 36 and 40 mm and oval eyelets 42 x 22 mm

| Article No. | Article Description | QTY |
|-------------|--------------------------------|-----|
| 3402 1 25 | SHACKLE BRACK.EV.PLATE ZI 25MM | 50 |
| 3402 1 30 | SHACKLE BRACK.EV.PLATE ZI 30MM | 50 |
| 3402 1 38 | SHACKLE BRACK.EV.PLATE ZI 38MM | 50 |

Technical Data

| Art. No. | Height | Wire dia. | Hole interval |
|-----------|--------|-----------|---------------|
| 3402 1 25 | 25 mm | 6 mm | 51 mm |
| 3402 1 30 | 30 mm | 6 mm | 51 mm |
| 3402 1 38 | 38 mm | 6 mm | 51 mm |



Shackle Bracket with Hexagonal Plate

- With 4 holes, zinc-plated
- For round eyelets 36 und 40 mm and oval eyelets 42 x 22 mm

| Article No. | Article Description | QTY |
|-------------|--------------------------------|-----|
| 3402 2 25 | SHACKLE BRACK.HEX.PLATE ZI25MM | 50 |
| 3402 2 30 | SHACKLE BRACK.HEX.PLATE ZI30MM | 50 |

Technical Data

| Art. No. | Height | Wire dia. | Hole interval |
|-----------|--------|-----------|---------------|
| 3402 2 25 | 25 mm | 6 mm | 51/26 mm |
| 3402 2 30 | 30 mm | 6 mm | 51/26 mm |



Curved Shackle Brackets with Straight Plate

- With 2 holes, zinc-plated
- For round eyelets dia. 40 mm and oval eyelets 42 x 22mm

| Article No. | Article Description | QTY |
|-------------|------------------------------|-----|
| 3402 3 30 | SHACKLE BRACKET CURV ZI 30MM | 50 |

Technical Data

| Art. No. | Height | Rod dia. | Hole interval |
|-----------|--------|----------|---------------|
| 3402 3 30 | 30 mm | 5 mm | 55 mm |



Pivoting Shackle Brackets

- Complies with customs regulations, with welded back plate, zinc-plated
- For round eyelets dia. 36 and 40 mm and oval eyelets 42 x 22 mm

| Article No. | Article Description | QTY |
|-------------|--------------------------|-----|
| 3402 4 37 | PIVOTING SHACKLE ZI 37MM | 50 |
| 3402 4 45 | PIVOTING SHACKLE ZI 45MM | 50 |
| 3402 4 55 | PIVOTING SHACKLE ZI 55MM | 50 |

Technical Data

| Art. No. | Height | Rod dia. | Hole interval |
|-----------|--------|----------|---------------|
| 3402 4 37 | 37 mm | 6 mm | 30 mm |
| 3402 4 45 | 45 mm | 6 mm | 30 mm |
| 3402 4 55 | 55 mm | 6 mm | 30 mm |



Pivoting Shackle Brackets

- Comply with customs regulations, galvanized
- For round eyelets dia. 36 and 40 mm and oval eyelets 42 x 22 mm

| Article No. | Article Description | QTY |
|-------------|--------------------------|-----|
| 3402 5 37 | PIVOTING SHACKLE ZI 37MM | 50 |
| 3402 5 45 | PIVOTING SHACKLE ZI 45MM | 50 |
| 3402 5 55 | PIVOTING SHACKLE ZI 55MM | 50 |

Technical Data

| Art. No. | Height | Wire dia. | Hole interval |
|-----------|--------|-----------|---------------|
| 3402 5 37 | 37 mm | 6 mm | 51 mm |
| 3402 5 45 | 45 mm | 6 mm | 51 mm |
| 3402 5 55 | 55 mm | 6 mm | 51 mm |



Strap Staples

- With straight plate, zinc-plated
- For eyelets 38 x 8 mm

| Article No. | Article Description | QTY |
|-------------|--------------------------------|-----|
| 3402 6 15 | STRAP BRACKET ST.PLATE ZI 15MM | 100 |
| 3402 6 20 | STRAP BRACKET ST.PLATE ZI 20MM | 100 |
| 3402 6 25 | STRAP BRACKET ST.PLATE ZI 25MM | 100 |
| 3402 6 30 | STRAP BRACKET ST.PLATE ZI 30MM | 100 |

Technical Data

| Art. No. | Height | Rod dia. | Hole interval |
|-----------|--------|----------|---------------|
| 3402 6 15 | 15 mm | 5 mm | 51 mm |
| 3402 6 20 | 20 mm | 5 mm | 51 mm |
| 3402 6 25 | 25 mm | 5 mm | 51 mm |
| 3402 6 30 | 30 mm | 5 mm | 51 mm |



Small Strap Staples

- With even plate, zinc-plated
- For eyelets 27 x 8 mm

| Article No. | Article Description | QTY |
|-------------|-----------------------------|-----|
| 3402 7 12 | SMALL STRAP BRACKET ZI 12MM | 100 |
| 3402 7 16 | SMALL STRAP BRACKET ZI 16MM | 100 |

Technical Data

| Art. No. | Height | Rod dia. | Hole interval |
|-----------|--------|----------|---------------|
| 3402 7 12 | 12 mm | 4 mm | 34 mm |
| 3402 7 16 | 16 mm | 4 mm | 34 mm |



Rotary Catches

- Zinc-plated
- For oval eyelets 42 x 22 mm
- Hole interval 51 mm
- With stainless steel spring

| Article No. | Article Description | QTY |
|-------------|-------------------------|-----|
| 3403 1 1 42 | ROTARY CATCH ZI 42X22MM | 25 |



Rotary Catches, Pivoting

- Zinc-plated
- Hole interval 51 mm
- With stainless steel spring

| Article No. | Article Description | QTY |
|-------------|--------------------------------|-----|
| 3403 1 2 42 | ROT. CATCH; PIVOTING ZI42X22MM | 25 |



Small Rotary Catch

- Nickel-plated brass
- With stainless steel spring

| Article No. | Article Description | QTY |
|--------------|----------------------------|-----|
| 3403 1 3 17 | ROT. CATCH FOR EYE 17X11MM | 25 |
| 3403 1 3 225 | ROT. CATCH FOR EYE 22.5X13 | 25 |



| Technical Data | | |
|----------------|---------------|---------------|
| Art.No. | For oval eyes | Hole interval |
| 34031317 | 17x11 mm | 23.5 mm |
| 340313225 | 22.5x13 mm | 34 mm |

Flat Hook, Galvanized

| Article No. | Article Description | QTY |
|-------------|----------------------------|-----|
| 3403 2 1 | FLAT HOOK 15X3MM GAL L68MM | 25 |



| Technical Data | | | | |
|----------------|--------|-------|--------------------|---------------|
| Art. No. | Length | Width | Material thickness | Hole interval |
| 3403 2 1 | 68 mm | 15 mm | 3 mm | 20 mm |

Flat Hook, Plastic

| Article No. | Article Description | QTY |
|-------------|--------------------------------|-----|
| 3403 2 2 | FLAT HOOK 19X4MM PLAST. L 60MM | 25 |



| Technical Data | | | |
|----------------|--------|-------|--------------------|
| Art. No. | Length | Width | Material thickness |
| 3403 2 2 | 60 mm | 19 mm | 4 mm |

Tarpaulin Hook

- Small version, galvanized

| Article No. | Article Description | QTY |
|-------------|-----------------------|-----|
| 3403 3 | TARP HOOK GALV L 50MM | 25 |



Ring Hook

- Small version, galvanized

| Article No. | Article Description | QTY |
|-------------|-------------------------------|-----|
| 3403 4 | 3-HOLE RING HOOK GALV: L 50MM | 25 |



Sliding Catch

- For round eyelets dia 40 and oval eyelets 42 x 22 mm
- Aluminium

| Article No. | Article Description | QTY |
|-------------|-------------------------|-----|
| 3403 5 | SLIDING CATCH ALUMINIUM | 25 |



Hoisting Lug with Cap Screw

- Lifting lug, galvanized
- Truss head cap screw, galvanized

| Article No. | Article Description | QTY |
|-------------|-----------------------------|-----|
| 3403 6 | HOISTING LUG, GALVANIZED M8 | 25 |
| 1110 8 20 | TRUSS HD CAP SCREW ZI M8X20 | 100 |
| 1110 8 30 | TRUSS HD CAP SCREW ZI M8X30 | 100 |
| 1110 8 35 | TRUSS HD CAP SCREW ZI M8X35 | 100 |
| 1110 8 40 | TRUSS HD CAP SCREW ZI M8X40 | 100 |



Plastic Back Plates

- For covering with leather and fittings

| Article No. | Article Description | QTY |
|-------------|---------------------------------|-----|
| 3403 7 18 | BACK PLATE PLAST. 1 HOLE D 18MM | 100 |
| 3403 7 20 | BACK PLATE PLAST. 2HOLE A 20MM | 25 |
| 3403 7 25 | BACK PLATE PLAST. 2HOLE A 25MM | 25 |
| 3403 7 51 | BACK PLATE PLAST. 2HOLE A 51MM | 25 |

(Number of holes / hole distance in mm)



Aluminium Rivet TIR DIN 674

| Article No. | Article Description | QTY |
|-------------|-------------------------------|-----|
| 3404 1 12 | ALUMINIUM RIVET DIN674 5X12MM | 100 |
| 3404 1 15 | ALUMINIUM RIVET DIN674 5X15MM | 100 |
| 3404 1 30 | ALUMINIUM RIVET DIN674 5X30MM | 100 |
| 3404 1 35 | ALUMINIUM RIVET DIN674 5X35MM | 100 |

(dia x length in mm)



Belt Rivet DIN 675

- Aluminium

| Article No. | Article Description | QTY |
|-------------|-------------------------------|-----|
| 3404 2 10 | AL. BELT RIVET DIN 675 4X10MM | 100 |
| 3404 2 12 | AL. BELT RIVET DIN 675 4X12MM | 100 |
| 3404 2 15 | AL. BELT RIVET DIN 675 4X15MM | 100 |

(dia x length in mm)



Hollow Rivet

- With double head for belts, galvanized

| Article No. | Article Description | QTY |
|-------------|--------------------------------|-----|
| 3404 3 9 | DOUBLE HOL. RIVET ZI 10/4X9MM | 100 |
| 3404 3 12 | DOUBLE HOL. RIVET ZI 13/4X12MM | 100 |
| 3404 3 15 | DOUBLE HOL. RIVET ZI 13/4X15MM | 100 |

(Head dia. / dia x length in mm)



Rubber Tensioner

| Article No. | Article Description | QTY |
|-------------|------------------------------|-----|
| 3404 4 200 | RUBBER SPANRING D 8MM L200MM | 25 |
| 3404 4 250 | RUBBER SPANRING D 8MM L250MM | 25 |
| 3404 4 400 | RUBBER SPANRING D 8MM L400MM | 25 |

(D = Diameter / L = length in mm)



Strapping Belt

- With hollow rivet, material 3 mm

| Article No. | Article Description | QTY |
|-------------|---------------------------|-----|
| 3404 5 | STRAP BELT B 20MM L 350MM | 1 |



Roll-up Strap

- With hollow rivet, material 3 mm
- Hole interval 20 mm

| Article No. | Article Description | QTY |
|-------------|----------------------------|-----|
| 3404 6 400 | ROLL-U P STRAP B20MML400MM | 1 |



Straps

- Material 3 mm
- Hole interval 20 mm

| Article No. | Article Description | QTY |
|-------------|-----------------------|------|
| 3404 7 20 | STRAPS B20MML170MM | e 10 |
| 3404 7 25 | STRAPS B 25MM L 170MM | e 10 |



Buckle with Chafe Guard

- Hole interval 20 mm

| Article No. | Article Description | QTY |
|-------------|---------------------|------|
| 3404 8 20 | BUCKLE B20MM | e 10 |
| 3404 8 25 | BUCKLE B25MM | e 10 |



Safety Chains

- For truck and small trailers with stop plates
- Chain length 180 mm
- Stop plates 34 mm
- S-hook dia. 30mm

| Article No. | Article Description | QTY |
|-------------|----------------------------|--------|
| 3404 10 34 | SA.CHAINW.PLATE.180MMP34MM | zf 100 |



Tarpaulin Eyelets

| Article No. | Article Description | QTY |
|-------------|--------------------------------|-----|
| 3405 1 16 | TARPAULIN EYELET ROUND16MM ZI | 25 |
| 3405 1 20 | TARPAULIN EYELET ROUND20MM ZI | 25 |
| 3405 1 25 | TARPAULIN EYELET ROUND25MM ZI | 25 |
| 3405 1 36 | TARPAULIN EYELET ROUND36MM ZI | 50 |
| 3405 1 40 | TARPAULIN EYELET ROUND40MM ZI | 50 |
| 3405 2 17 | TARPEYEL.OV17X11 BRASS NI-PL. | 25 |
| 3405 2 42 | TARPAULIN EYELET OVAL 42X22 ZI | 50 |
| 3405 2 225 | TAR.EYEL.OV22.5X13 BRASS NI-PL | 25 |
| 3405 3 27 | TARPAULIN EYEL.SQUARE 27X8 ZI | 50 |



Plastic Washers

| Article No. | Article Description | QTY |
|-------------|--------------------------------|-----|
| 3405 5 16 | PLAST.WASHER F.ROUND EYEL.16MM | 25 |
| 3405 5 20 | PLAST.WASHER F.ROUND EYEL.20MM | 25 |
| 3405 5 25 | PLAST.WASHER F.ROUND EYEL.25MM | 25 |
| 3405 5 36 | PLAST.WASHER F.ROUND EYEL.36MM | 50 |
| 3405 5 40 | PLAST.WASHER F.ROUND EYEL.40MM | 50 |
| 3405 6 42 | PLAST.WASH.F.OVAL EYEL.42X22MM | 50 |



Hollow Punch

| Article No. | Article Description | QTY |
|-------------|--------------------------------|-----|
| 4739 16 | HOLLOW PUNCH F.ROUND EYEL.16MM | 1 |
| 4739 20 | HOLLOW PUNCH F.ROUND EYEL.20MM | 1 |
| 4739 25 | HOLLOW PUNCH F.ROUND EYEL.25MM | 1 |
| 4739 36 | HOLLOW PUNCH F.ROUND EYEL.36MM | 1 |
| 4739 40 | HOLLOW PUNCH F.ROUND EYEL.40MM | 1 |
| 4739 2 17 | HOLLOW PUNCH OVAL EYEL.17X11MM | 1 |
| 4739 2 225 | HOLL.PUNCH OVAL EYEL.22.5X13MM | 1 |
| 4739 2 42 | HOLLOW PUNCH OVAL EYEL.42X22MM | 1 |
| 4739 3 27 | HOLL.PUNCH F.SLOTT.EYEL.27X8MM | 1 |
| 4739 3 38 | HOLL.PUNCH F.SLOTT.EYEL.38X8MM | 1 |



Dies

| Article No. | Article Description | QTY |
|-------------|---------------------|-----|
| 3406 16 | ROUND DIE16MM | 1 |
| 3406 20 | ROUND DIE20MM | 1 |
| 3406 25 | ROUND DIE25MM | 1 |
| 3406 36 | ROUND DIE36MM | 1 |
| 3406 40 | ROUND DIE40MM | 1 |
| 3406 2 17 | OVAL DIE 17X11 MM | 1 |
| 3406 2 225 | OVAL DIE 22.5X13MM | 1 |
| 3406 2 42 | OVAL DIE 42X22MMM | 1 |
| 3406 3 27 | SQUARE DIE 27X8MM | 1 |
| 3406 3 38 | SQUARE DIE 38X8MM | 1 |



Tarpaulin Repair Plaster

- Easy and professional repair
- Tarpaulin repair plaster with different dimensions and colours
- Self-adhesive plaster cutting or can be shortened individually on the roll
- Very high adhesive strength
- UV resistant
- Resistant against washing brushes
- Tarpaulin plaster in reclosable zip-bag

Fields of application:

- Truck tarpaulins, tent tarpaulins, awnings, covering tarpaulins, scooter/motorcycle seats, industrial tents etc.

Application:

- Surface must be dry, clean and grease-free
- Clean surface to be repaired (ideal with 1K-Pur Cleaner Art. No. 6110 1000), pull of protection film and firmly press on the plaster
- Processing temperature -15°C to 40°C



| Article No. | Article Description | QTY |
|--------------|--------------------------------|-----|
| 3409 10 5 | RO(5M)TARP.REP.BAND 10CM BLUE | 1 |
| 3409 10 5 1 | RO(5M)TARP.REP.BAND 10CM WHITE | 1 |
| 3409 10 5 2 | RO(5M)TARP.REP.BAND 10CM GREY | 1 |
| 3409 10 5 3 | RO(5M)TARP.REP.BAND10CM L.BLUE | 1 |
| 3409 10 5 4 | RO(5M)TARP.REP.BAND 10CM GREEN | 1 |
| 3409 10 5 5 | RO(5M)TARP.REP.BAND10CM L.GREY | 1 |
| 3409 10 5 6 | RO(5M)TARP.REP.BAND10CM YELLOW | 1 |
| 3409 10 5 7 | RO(5M)TARP.REP.BAND10CM ORANGE | 1 |
| 3409 10 5 8 | RO(5M)TARP.REP.BAND 10CM RED | 1 |
| 3409 10 5 9 | RO(5M)TARP.REP.BAND 10CM BLACK | 1 |
| 3409 10 5 10 | RO(5M)TARP.REP.BAND 10CM SILV. | 1 |
| 3409 27 | TARP.PLAST.REP.SET 27PCS.BLUE | 1 |
| 3409 27 1 | TARP.PLAST.REP.SET 27PCS.WHITE | 1 |
| 3409 27 2 | TARP.PLAST.REP.SET 27PCS.GREY | 1 |
| 3409 27 3 | TARP.PLAST.REP.SET27PCS.L.BLUE | 1 |
| 3409 27 4 | TARP.PLAST.REP.SET 27PCS.GREEN | 1 |
| 3409 27 5 | TARP.PLAS.REP.SET27PCS.L.GREEN | 1 |
| 3409 27 6 | TARP.PLAS.REP.SET 27PCS.YELLOW | 1 |
| 3409 27 7 | TARP.PLAS.REP.SET 27PCS.ORANGE | 1 |
| 3409 27 8 | TARP.PLAS.REP.SET 27PCS. RED | 1 |
| 3409 27 9 | TARP.PLAS.REP.SET 27PCS.BLACK | 1 |
| 3409 27 10 | TARP.PLAS.REP.SET 27PCS.SILVER | 1 |
| 3409 30 20 | TARPAULIN PLASTER 30X20CM BLUE | 1 |
| 3409 30 20 1 | TARPAULIN PLAST.30X20CM WHITE | 1 |
| 3409 30 20 2 | TARPAULIN PLAST.30X20CM GREY | 1 |

| | | |
|-------------|----------|--|
| blue | RAL 5002 | |
| white | RAL 9016 | |
| grey | RAL 7038 | |
| light blue | RAL5012 | |
| light green | RAL 6018 | |
| yellow | RAL 1003 | |
| orange | RAL 2011 | |
| red | RAL 3002 | |
| black | RAL 9005 | |
| silver | RAL 9006 | |

Contents of Art. No. 3409 27, 3409 27 1, 3409 27 2, 3409 27 3, 3409 27 4, 3409 27 5; 3409 27 6, 3409 27 7, 3409 27 8, 3409 27 9, 3409 27 10:

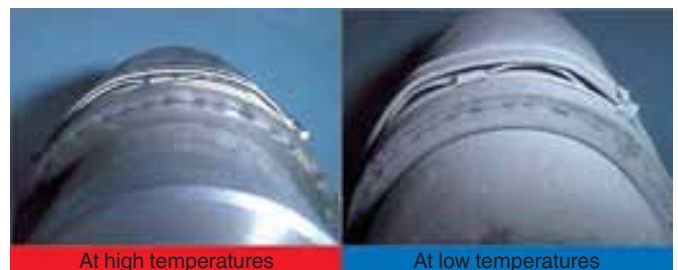
- 3x 30 x 20 cm
- 3x 20 x 20 cm
- 4x 30 x 10 cm
- 4x 20 x 10 cm
- 6x 10 x 10 cm
- 7x 20 x 5 cm

TORRO Hose Clamps with Wave Spring

- Integrated spring
- Compensates variations in diameter
- Also suitable for thermoplastic pipes
- W4 Wave spring



| Article No. | Article Description | QTY |
|-------------|--------------------------------|-----|
| 3205 30 45 | TORRO HOSE CL. 12MMSW7W3 30-45 | 50 |
| 3205 35 50 | TORRO HOSE CL. 12MMSW7W3 35-50 | 50 |
| 3205 50 70 | TORRO HOSE CL. 12MMSW7W3 50-70 | 25 |
| 3205 60 80 | TORRO HOSE CL. 12MMSW7W3 60-80 | 25 |
| 3205 70 90 | HOSE CL.TORRO 12MMSW7 W3 70-90 | 25 |
| 3205 80 100 | HOSE CL.TORRO12MMSW7 W3 80-100 | 25 |
| 3205 90 110 | HOSE CL.TORRO12MMSW7 W3 90-110 | 20 |



- | | |
|--|---|
| At high temperatures | At low temperatures |
| <ul style="list-style-type: none"> • Increase of hose diameter • Spring is pressed | <ul style="list-style-type: none"> • Reduction of hose diameter • Springs expands • Clamping strength remains • Clamp seals perfectly |

Tire Valves Ø 9.7 mm

- For 15° tapered rims
- For tubeless tires on commercial vehicles
- With valve hole dia. 9.7 mm



| Article No. | Article Description | QTY |
|-------------|--------------------------------|------|
| 3580 41 | COM.VEH.VAL.TP.RIM D9.7MM41MS | e 10 |
| 3580 28 45 | COM.VE.VA.TP.RIM D9.7MM58MS-45 | e 10 |
| 3580 70 27 | COM.VE.VA.TP.RIM D9.7MM70MS-27 | e 10 |
| 3580 90 27 | COM.VE.VA.TP.RIM D9.7MM90MS-27 | e 10 |
| 3580 119 12 | COM.VE. VA.TP.R.D9.7MM119MS-12 | e 10 |
| 3580 119 27 | COM.VE. VA.TP.R.D9.7MM119MS-27 | e 10 |

| Technical Data | | | | | |
|----------------|-------------|-------------|------------|--------------|-------------------------|
| Art. No. | Height H | Length L | Angle β | ETRTO No. | Compar.No. Alligator |
| 3580 41 | - | 41 mm | - | V3.20.1 | 9764 |
| 3580 28 45 | 28 mm | 28 mm | 45° | - | - |
| 3580 70 27 | 28 mm | 42 mm | 27° | V3.20.5 | 9273 |
| 3580 90 27 | 28 mm | 62 mm | 27° | V3.20.4 | 9274 |
| 3580 119 12 | 55 mm | 64 mm | 12° | - | - |
| 3580 119 27 | 30 mm | 89 mm | 27° | V3.20.6 | 9291 |

Tire Valves for Ø 16 mm

- For 15° tapered rims
- For tubeless tires on commercial vehicles
- With valve hole dia. 16 mm



| Article No. | Article Description | QTY |
|-------------|-----------------------------------|------|
| 3581 32 | COM. VEH. VAL. TP. RIM D16MM 32MS | e 10 |
| 3581 42 | COM. VEH. VAL. TP. RIM D16MM 42MS | e 10 |
| 3581 54 | COM. VEH. VAL. TP. RIM D16MM 54MS | e 10 |

| Technical Data | | | |
|----------------|-------------|--------|-----------------------------|
| Art. No. | Length L | TR.No. | Comparison No. Alligator |
| 3581 32 | 33 mm | 575 | 9702 |
| 3581 42 | 42 mm | 501 | 9708 |
| 3581 54 | 54 mm | 500 | 9715 |

Tyre Valves for Ø 16° mm, 90°

- For 15° tapered rims
- For tubeless tires on commercial vehicles
- With valve hole dia. 16 mm

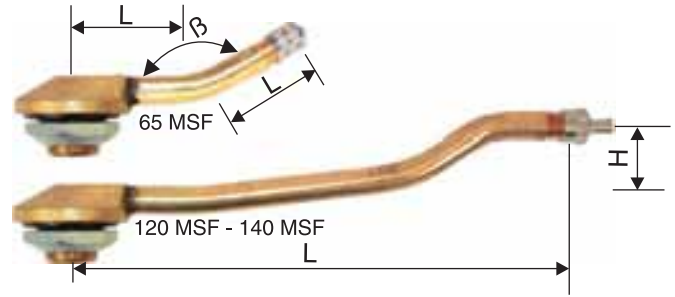


| Article No. | Article Description | QTY |
|-------------|-------------------------------|------|
| 3582 40 | COM.VEH.VAL.TP.RIM D16MM40MSF | e 10 |
| 3582 95 | COM.VEH.VAL.TP.RIM D16MM95MSF | e 10 |

| Technical Data | | | |
|----------------|-------------|--------------|--------------------------|
| Art. No. | Length L | ETRTO No. | Compar. No. Alligator |
| 3582 40 | 40 mm | V3.12.1 | 9001 |
| 3582 95 | 95 mm | V3.12.2 | 9046 |

Tire Valves for Flat-base Rims

- For tubeless tires on commercial vehicles
- With valve hole dia. 20.5 mm



| Technical Data | | | | | |
|----------------|----------|----------|------------|-----------|-----------------------|
| Art. No. | Length L | Height H | Angle beta | ETRTO No. | Compar. No. Alligator |
| 3583 65 | 36/29 mm | W 150° | 150° | V3.16.1 | 9132 |
| 3583 120 | 110 mm | 19.5 mm | - | V3.18.4 | 9167 |
| 3583 140 | 138 mm | 14.5 mm | - | V3.19.1 | 9179 |

| Article No. | Article Description | QTY |
|-------------|--------------------------------|------|
| 3583 65 | COM.VE.VA.FL-B.RI.D20.5MM65MSF | e 10 |
| 3583 120 | COM.VE.VA.FL-B.R.D20.5MM120MSF | e 10 |
| 3583 140 | COM.VE.VA.FL-B.R.D20.5MM140MSF | e 10 |

Brass Valve Extensions, Rigid



| Technical Data | | | |
|----------------|----------|------------|----------|
| Art. No. | Length L | Angle beta | Height H |
| 3584 29 | 29 mm | 135° | 22 mm |
| 3584 35 | 35 mm | 90° | 21 mm |

| Article No. | Article Description | QTY |
|-------------|-------------------------------|-----|
| 3584 29 | VAL.EXTENTION RIGID 135° 29MM | 10 |
| 3584 35 | VAL.EXTENTION RIGID 90° 35MM | 10 |

Plastic Valve Extensions, Rigid



| Technical Data | | |
|----------------|--------|-----------------------|
| Art. No. | Length | Compar. No. Alligator |
| 3584 71 | 71 mm | 2190-071 |
| 3584 115 | 115 mm | 2190-115 |
| 3584 150 | 150 mm | 2190-150 |
| 3584 170 | 170 mm | 2190-170 |

| Article No. | Article Description | QTY |
|-------------|--------------------------------|-----|
| 3584 71 | VALVE EXTENS.RIGID PLAST.71 MM | 10 |
| 3584 115 | VALVE EXTENS.RIGID PLAST.115MM | 10 |
| 3584 150 | VALVE EXTENS.RIGID PLAST.150MM | 10 |
| 3584 170 | VALVE EXTENS.RIGID PLAST.170MM | 10 |

Valve Extensions with Steel Jacket

- Steel jacketed air tube with additional guard sleeve
- Multiple layer design to prevent breakage and ensure flexibility
- Can be used without rim holder



| Technical Data | |
|----------------|--------|
| Art. No. | Length |
| 3585 1 75 | 75 mm |
| 3585 1 85 | 85 mm |
| 3585 1 105 | 105 mm |
| 3585 1 145 | 145 mm |
| 3585 1 185 | 185 mm |
| 3585 1 215 | 215 mm |

| Article No. | Article Description | QTY |
|-------------|--------------------------------|-----|
| 3585 1 75 | VAL.EXTENS.W. STEEL JACK. 75MM | 1 |
| 3585 1 85 | VAL.EXTENS.W. STEEL JACK. 85MM | 1 |
| 3585 1 105 | VAL.EXTENS.W. STEEL JACK.105MM | 1 |
| 3585 1 145 | VAL.EXTENS.W. STEEL JACK.145MM | 1 |
| 3585 1 185 | VAL.EXTENS.W. STEEL JACK.185MM | 1 |
| 3585 1 215 | VAL.EXTENS. W.STEEL JACK.215MM | 1 |

Valve Extension, Flexible

- With rubber tube



| Article No. | Article Description | QTY |
|-------------|-------------------------------|-----|
| 3585 85 | VALVE EXTENSION FLEX. 85MM | 10 |
| 3585 105 | VALVE EXTENSION FLEX. 105MM | 10 |
| 3585 125 | VALVE EXTENSION MOVABLE 125MM | 10 |
| 3585 140 | VALVE EXTENSION FLEX. 140MM | 10 |
| 3585 180 | VALVE EXTENSION FLEX. 180MM | 10 |
| 3585 210 | VALVE EXTENSION FLEX. 210MM | 10 |

| Technical Data | | |
|----------------|--------|------------------|
| Art. No. | Length | Comparison No. |
| | | Alligator |
| 3585 85 | 85 mm | 2109- 85 |
| 3585 105 | 105 mm | 2109-105 |
| 3585 125 | 125 mm | 2109-125 |
| 3585 140 | 140 mm | 2109-140 |
| 3585 180 | 180 mm | 2109-180 |
| 3585 210 | 210 mm | 2109-210 |

Valve Holder, Single

- For flexible valve extensions



| Article No. | Article Description | QTY |
|-------------|---------------------|-----|
| 3586 1 | VALVE HOLDER SINGLE | 10 |

| Technical Data | |
|----------------|------------------|
| Art. No. | Comparison No. |
| | Alligator |
| 3586 1 | 2149 |

Spherical Collar Nuts DIN 74361

- Phosphated, strength rating 10



| Article No. | Article Description | QTY |
|-------------|--------------------------------|-----|
| 2253 18 15 | SPHE.COLL.NUTS74361-10 M18X1.5 | 25 |
| 2253 20 15 | SPHE.COLL.NUTS74361-10 M20X1.5 | 25 |
| 2253 22 15 | SPHE.COLL.NUTS74361-10 M22X1.5 | 25 |

| Technical Data | | | |
|----------------|------------|--------------|--------------------------------------|
| Art. No. | Dimensions | Head size mm | Fits |
| 2253 18 15 | M 18 x 1.5 | 24 | Hanomag-Henschel, "Bergische Achsen" |
| 2253 20 15 | M 20 x 1.5 | 27 | Hanomag-Henschel, "Bergische Achsen" |
| 2253 22 15 | M 22 x 1.5 | 27 | Hanomag-Henschel, "Bergische Achsen" |

Flat Collar Nuts DIN 74361

- Phosphated, strength rating 10



| Article No. | Article Description | QTY |
|---------------|--------------------------------|-----|
| 2263 14 15 | FLAT.COLL.NUTS74361-10 M14X1.5 | 50 |
| 2263 16 15 | FLAT.COLL.NUTS74361-10 M16X1.5 | 50 |
| 2263 18 15 | FLAT.COLL.NUTS74361-10 M18X1.5 | 50 |
| 2263 22 15 30 | FLAT.COLL.NUTS74361-10 M18X1.5 | 25 |

| Technical Data | | | |
|----------------|------------|--------------|--|
| Art. No. | Dimensions | Head size mm | Fits |
| 2263 14 15 | M 14 x 1.5 | 19 | BPW, Mercedes, MAN |
| 2263 16 15 | M 16 x 1.5 | 24 | BPW, Mercedes, MAN |
| 2263 18 15 | M 18 x 1.5 | 24 | BPW, Mercedes, Kässbohrer |
| 2263 22 15 30 | M 22 x 1.5 | 30 | Iveco, MAN, Mercedes, Bergische Achsen/BPW |

Flat Combination Collar Nut

- Phosphated, strength 10



| Article No. | Article Description | QTY |
|-------------|---------------------------|-----|
| 2269 22 15 | COMBI NUT M22X1.5 B SW 32 | 25 |

| Technical Data | | | |
|----------------|------------|--------------|------------------------|
| Art. No. | Dimensions | Head size mm | Fits |
| 2269 22 15 | M 22 x 1.5 | 32 | different tapered rims |

Limes Type Conical Spring Washer DIN 74361



| Article No. | Article Description | QTY |
|-------------|------------------------------|-----|
| 2550 145 | LIMES SPRING WASHER C 14.5MM | 50 |
| 2550 165 | LIMES SPRING WASHER C 16.5MM | 50 |
| 2550 185 | LIMES SPRING WASHER C 18.5MM | 25 |
| 2550 205 | LIMES SPRING WASHER C 20.5MM | 25 |
| 2550 225 | LIMES SPRING WASHER C 22.5MM | 25 |

| Technical Data | | |
|----------------|------------|---|
| Art. No. | Inner-Ø mm | Suitable for |
| 2250 14 5 | 14.5 | BPW, Mercedes |
| 2250 16 5 | 16.5 | diverse |
| 2250 18 5 | 18.5 | BPW, Mercedes |
| 2250 20 5 | 20.5 | BPW, Magirus, MAN, Mercedes |
| 2250 22 5 | 22.5 | BPW, Henschel, Kässbohrer, Magirus, MAN, Mercedes |

Centering Ring



| Article No. | Article Description | QTY |
|-------------|-----------------------|-----|
| 2551 142 | CENTERING RING 14.2MM | 25 |
| 2551 182 | CENTERING RING 18.2MM | 25 |
| 2551 202 | CENTERING RING 20.2MM | 25 |
| 2551 222 | CENTERING RING 22.2MM | 25 |

| Technical Data | | |
|----------------|------------|-------------------|
| Art. No. | Inner-Ø mm | Suitable for |
| 2551 14 2 | 14.2 | Mercedes |
| 2551 18 2 | 18.2 | Mercedes |
| 2551 20 2 | 20.2 | Magirus, Mercedes |
| 2551 22 2 | 22.2 | Mercedes |

Balance Weights for Trucks Form 527

- Balance weights for tapered rims from 17.5 x 5.25 to 22.5 x 6 inch with a maximum sheet metal thickness of 4.5 mm

| Article No. | Article Description | QTY |
|-------------|--------------------------------|-----|
| 3534 50 | TRUCK-BAL.WEIGHT FORM 527 50G | 10 |
| 3534 75 | TRUCK-BAL.WEIGHT FORM 527 75G | 10 |
| 3534 100 | TRUCK-BAL.WEIGHT FORM 527 100G | 10 |
| 3534 150 | TRUCK-BAL.WEIGHT FORM 527 150G | 10 |
| 3534 200 | TRUCK-BAL.WEIGHT FORM 527 200G | 10 |



Balance Weights for Trucks Form 53

- Balance weights for tapered rims from 22.5 x 6.75 to 26.5 x 12 inch from sheet metal thickness 4.5 mm

| Article No. | Article Description | QTY |
|-------------|-------------------------------|-----|
| 3532 50 | TRUCK BAL.WEIGHT FORM 53 50G | 25 |
| 3532 75 | TRUCK BAL.WEIGHT FORM 53 75G | 25 |
| 3532 100 | TRUCK BAL.WEIGHT FORM 53 100G | 25 |
| 3532 150 | TRUCK BAL.WEIGHT FORM 53 150G | 25 |
| 3532 200 | TRUCK BAL.WEIGHT FORM 53 200G | 25 |
| 3532 250 | TRUCK BAL.WEIGHT FORM 53 250G | 10 |
| 3532 300 | TRUCK BAL.WEIGHT FORM 53 300G | 10 |
| 3532 350 | TRUCK BAL.WEIGHT FORM 53 350G | 10 |
| 3532 400 | TRUCK BAL.WEIGHT FORM 53 400G | 10 |



Balance Weights for Trucks Form K50

- Truck-adhesive balance weights for all cases except forms 51, 53 and 59

| Article No. | Article Description | QTY |
|-------------|--------------------------------|-----|
| 3535 50 | TRUCK ADHES. WEIGHT F.K50 50G | 25 |
| 3535 75 | TRUCK ADHES. WEIGHT F.K50 75G | 25 |
| 3535 100 | TRUCK ADHES. WEIGHT F.K50 100G | 25 |
| 3535 125 | TRUCK ADHES. WEIGHT F.K50 125G | 25 |
| 3535 150 | TRUCK ADHES. WEIGHT F.K50 150G | 25 |
| 3535 175 | TRUCK ADHES. WEIGHT F.K50 175G | 25 |
| 3535 200 | TRUCK ADHES. WEIGHT F.K50 250G | 25 |
| 3535 250 | TRUCK ADHES. WEIGHT F.K50 250G | 25 |



Safety Indicator for Wheel Nuts

- Save time and money in the workshop due to fast and easy control of wheel nuts

Wheel Nut Indicator

Wheel nut indicator yellow:

- Attach the wheel nut indicator onto the wheel nut
- If a nut is detached, the orientation of the indicator changes clearly visible

Wheel nut indicator red:

- An indicator mounted on the wheel nut may indicate e.g. that the tightening torque control had not been performed yet and that it still needs to be performed
- Can be tightened without having to remove the existing yellow indicator



| Article No. | Article Description | QTY |
|-------------|-------------------------------|-----|
| 3415 50 27 | WHEEL NUT CONTROL YELLOW 27MM | 100 |
| 3415 50 30 | WHEEL NUT CONTROL YELLOW 30MM | 100 |
| 3415 50 32 | WHEEL NUT CONTROL YELLOW 32MM | 100 |
| 3415 50 33 | WHEEL NUT CONTROL YELLOW 33MM | 100 |
| 3415 51 27 | WHEEL NUT CONTROL RED 27MM | 100 |
| 3415 51 30 | WHEEL NUT CONTROL RED 30MM | 100 |
| 3415 51 32 | WHEEL NUT CONTROL RED 32MM | 100 |
| 3415 51 33 | WHEEL NUT CONTROL RED 33MM | 100 |



Wheel Nut Holder

- The wheel nut holder is a connection which prevents further loosening of the wheel nut caused by vibration
- Prevents loss of wheel nut
- Colour: yellow



| Article No. | Article Description | QTY |
|-------------|-----------------------|-----|
| 3415 52 32 | WHEEL NUT HOLDER 32MM | 50 |
| 3415 52 33 | WHEEL NUT HOLDER 33MM | 50 |

Dust Protection Cap with Safety Indicator

- Dust protection cap with indicator below is a combination of safety indicator and dust protection cap
- Dust protection cap with indicator above is a combination of safety indicator and dust protection cap for wheels with rim covering or protection ring (front axle)
- Colour: yellow



| Article No. | Article Description | QTY |
|-------------|--------------------------------|-----|
| 3415 53 32 | DUST PROT.CAP W.INDIC.BELOW 32 | 50 |
| 3415 53 33 | DUST PROT.CAP W.INDIC.BELOW 33 | 50 |
| 3415 54 32 | DUST PROT.CAP W.INDIC.ABOVE 32 | 50 |
| 3415 54 33 | DUST PROT.CAP W.INDIC.ABOVE 33 | 50 |

Wiper Blades for Commercial Vehicles



- SWF wiper blade line guarantee highest quality
- Greater reliability and higher safety when driving
- Application list in paperback format available under Art. No. 9890 25

| Article No. | Article Description | QTY |
|-------------|--------------------------------|-----|
| 3056 132400 | WIPER BLADECOM.VEH. 400 MM | 1 |
| 3056 132450 | WIPER BLADE COM.VEH. 450 MM | 1 |
| 3056 132500 | WIPER BLADE COM.VEH. 500 MM/1 | 1 |
| 3056 132501 | WIPER BLADE COM.VEH. 500 MM/2 | 1 |
| 3056 132550 | WIPER BLADE COM.VEH. 550 MM | 1 |
| 3056 132560 | WIPER BLADE COM.VEH. 550 MM/1 | 1 |
| 3056 132600 | WIPER BLADE COM.VEH. 600 MM | 1 |
| 3056 132601 | (PAIR)WIP.BLADE COMM.VEH.600MM | 1 |
| 3056 132602 | (PAIR)WI.BLADE COM.VEH.600MM/1 | 1 |
| 3056 132650 | WIPER BLADE COM.VEH. 650 MM | 1 |
| 3056 132651 | (PAIR)WIP.BLADE COMM.VEH.650MM | 1 |
| 3056 132701 | WIPER BLADE COM.VEH. 700 MM | 1 |
| 3056 132702 | WIPER BLADE COM.VEH. 700 MM/1 | 1 |
| 3056 132801 | WIPER BLADE COM.VEH. 800 MM | 1 |
| 3056 132900 | WIPER BLADE COM.VEH. 900 MM | 1 |
| 3056 132901 | WIPER BLADE COM.VEH. 900 MM/1 | 1 |
| 3056 132000 | WIPER BLADECOM.VEH.1000 MM/1 | 1 |
| 3056 132001 | WIPER BLADECOM.VEH.1000 MM/2 | 1 |

(ID No. corresponds to SWF No.)

Universal Side Rearview Mirror

- For universal applications
- Dimensions L x W: 380 x 190 mm
- Prism clamp
- Clamping range: dia. 16-25 mm



| Article No. | Article Description | QTY |
|-------------|------------------------------|-----|
| 3417 1 | UNIVERSAL REARVIEW MIRROR | 1 |
| 3417 1 1 | REPLACEMENT GLASS FOR 3417 1 | 1 |

Universal Rearview Mirror with Heater

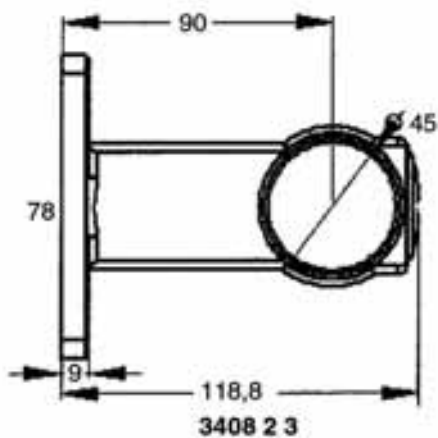
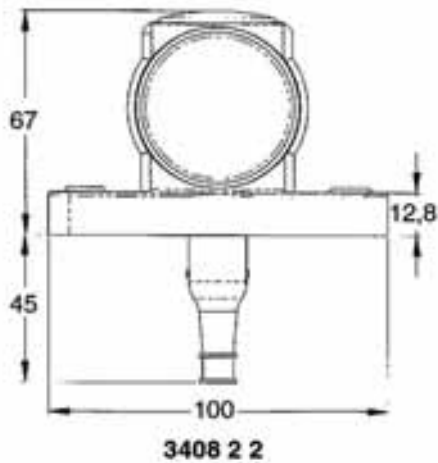
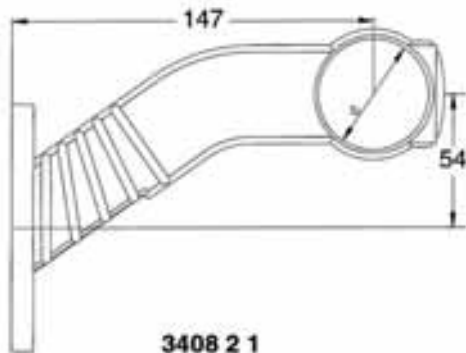
- For universal applications
- Dimensions L x W: 380 x 190 mm
- Prism clamp
- Clamping range: dia. 16-25 mm



| Article No. | Article Description | QTY |
|-------------|--------------------------------|-----|
| 3417 2 | UNIVER. REARVIEW MIRR.W.HEATER | 1 |

Clearance Lamp LED SUPERPOINT III

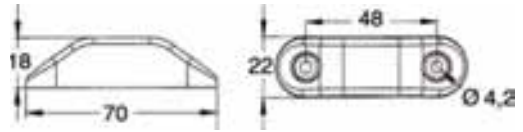
- With LED side marker lights and flexible fixing arm; long, short or as add-on casing version
- 3-sided illumination red/white/yellow
- Light element made of break-proof polycarbonate
- Cable 1.75 m 12/24V, 1W
- GGVS/ADR tested



| Article No. | Article Description | QTY |
|-------------|---------------------------------|-----|
| 3408 2 1 | LED-CL.LA.SUPERP.III 12/24V LF | 1 |
| 3408 2 2 | LED-CL.LA.SUPERP.III 12/24V AGF | 1 |
| 3408 2 3 | LED-CL.LA.SUPERP.III 12/24V KF | 1 |
| 3408 2 11 | LED-LIGHT ELEM.F.CL.LA.SP III | 1 |
| 3408 2 12 | LED-ELEMENT F.CLEAR.LA.SP III | 1 |

Tail / Clearance Lamp LED Pro-Can, Red

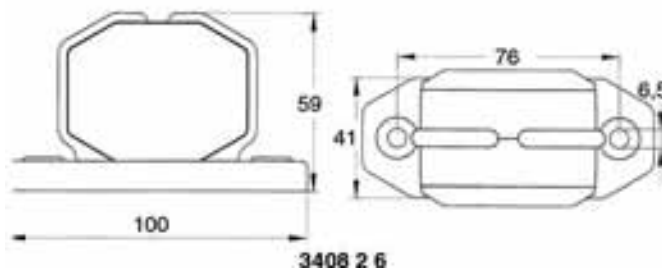
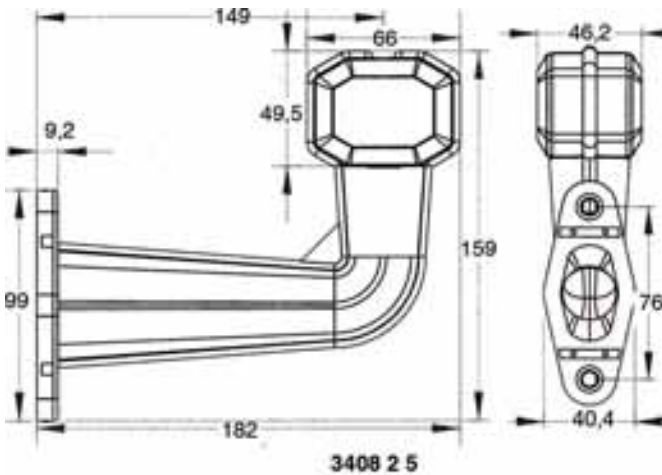
- Water-resistant and completely poured illuminated housing
- Cable 0.5 m, 24 V/0.8 W



| Article No. | Article Description | QTY |
|-------------|--------------------------------|-----|
| 3408 2 4 | LED-CLEARANCE LAMP PRO-CAN 24V | 1 |

Clearance Lamp LED Superpoint, Red/White

- Flexible fixing arm 90° or as flexibel mounted casing
- Both-sided illumination red/white
- Light element made of break-proof polycarbonat
- Cable 1.75 m, 24 V/0.85 W
- GGVS/ADR tested

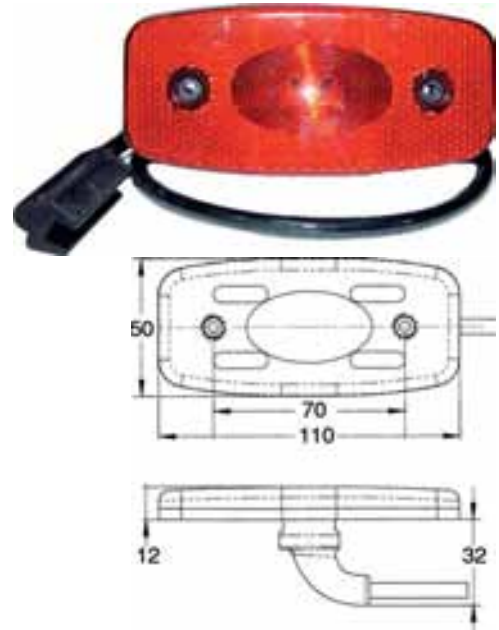


| Article No. | Article Description | QTY |
|-------------|-------------------------------|-----|
| 3408 2 5 | LED-CL.LA.SUPERPOINT 90° 24V | 1 |
| 3408 2 5 1 | LED-LIGHT ELEM.F.SUPERPOI.24V | 1 |
| 3408 2 6 | LED-CL.LA.SUPERPOINT 24V AGF | 1 |



Tail / Clearance Lamp LED Plug, Red

- 90° cable connection in 'Hotmelt processing' inserted in hot-melt adhesive
- Cable 0.5 m with P+R socket 24 V/1 W
- With reflector
- GGVS/ADR tested



| Article No. | Article Description | QTY |
|-------------|------------------------------|-----|
| 3408 2 7 | LED-CL.LAMP 90° RED 24V PLUG | 1 |

Tail / Clearance Lamp LED Plug, Flat Red

- 90° cable connection in 'Hotmelt processing' inserted in hot-meld adhesive
- Cable 0.5 m with P+R plug 24 V/0.8 W
- With reflector
- GGVS/ADR tested



| Article No. | Article Description | QTY |
|-------------|------------------------------|-----|
| 3408 4 1 | LED TAIL L.RED 24V WITH PLUG | 1 |

Tail / Clearance Lamp LED, Red

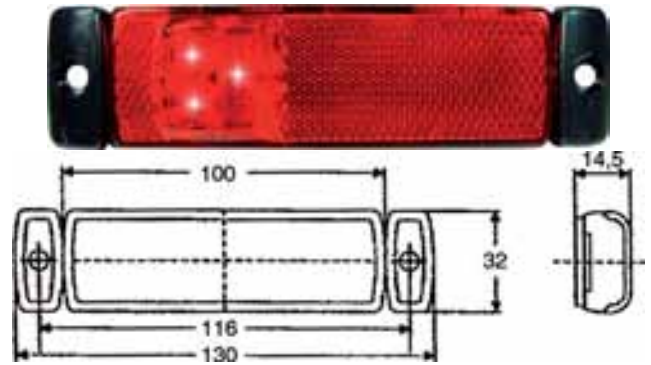
- Completely water-resistant illumination elements
- Cable 0.5 m, 9 - 33 V
- GGVS/ADR tested



| Article No. | Article Description | QTY |
|-------------|-------------------------------|-----|
| 3408 4 2 | LED TAIL/CLEAR.LAMP RED 9-33V | 1 |

Tail / Clearance Lamp LED, Flat Red

- Very flat design, water-resistant housing
- Cable 0.5 m, 24 V
- With reflector
- GGVS/ADR tested



| Article No. | Article Description | QTY |
|-------------|------------------------------|-----|
| 3408 4 3 | LED-TAIL/CLEAR.LAMP FLAT 24V | 1 |

Tail / Clearance Lamp LED Monopoint, Red

- Completely plastic coated, water-resistant element
- Cable 0.2 m, 24 V/0.85 W
- Fixing hole 21 - 22.5 mm
- GGVS/ADR tested



| Article No. | Article Description | QTY |
|-------------|-------------------------------|-----|
| 3408 4 4 | LED-TAIL/CLEAR.LAMP MONOPOINT | 1 |

Tail / License Plate Light LED, Red/White

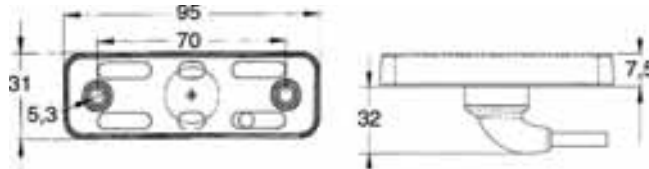
- License plate light and tail light in LED technique
- Red and white light
- Cable 0.5 m, 24 V
- GGVS/ADR tested



| Article No. | Article Description | QTY |
|-------------|--------------------------------|-----|
| 3408 4 5 | LED-TAIL/LICEN.PLATE LIGHT 24V | 1 |

Side Light LED Pro-Rep Plug, White

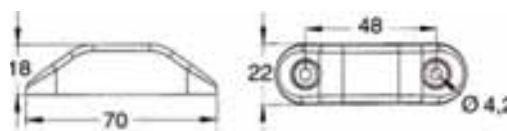
- 90° cable connection in 'Hotmelt processing' inserted in hot-melt adhesive
- Cable 0.5 m with P+R plug 24 V/0.8 W
- With reflector
- GGVS/ADR tested



| Article No. | Article Description | QTY |
|-------------|--------------------------------|-----|
| 3408 3 1 | LED-SIDE LI.PRO-REP 24V W.PLUG | 1 |

Side Light LED Pro-Can, White

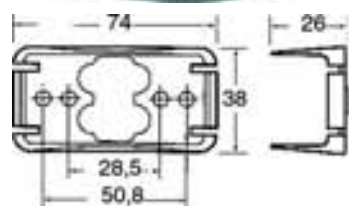
- Water-resistant, completely poured illumination housing
- Cable 0.5 m, 24 V/0.8W



| Article No. | Article Description | QTY |
|-------------|----------------------------|-----|
| 3408 3 2 | LED-SIDE LIGHT PRO-CAN 24V | 1 |

Side Light LED, White

- Completely water-resistant illumination element
- Cable 0.5 m, 9 - 33V
- GGVS/ADR tested

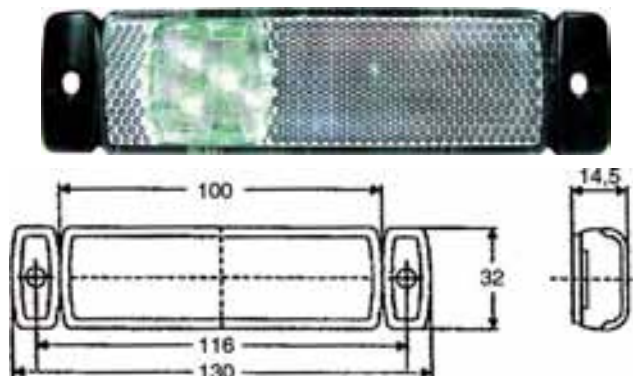


| Article No. | Article Description | QTY |
|-------------|----------------------------|-----|
| 3408 3 3 | LED-SIDE LIGHT WHITE 9-33V | 1 |

Side Light LED, Flat White

- Water-resistant flat housing
- Cable 0.5 m, 24 V
- With reflector
- GGVS/ADR tested

| Article No. | Article Description | QTY |
|-------------|-------------------------------|-----|
| 3408 3 4 | LED-SIDE LIGHT WHITE FLAT 24V | 1 |



Clearance Lamp LED Monopoint, White

- Completely plastic coated water-resistant illumination element
- Cable 2.0 m, 24 V/0.85 W
- Fixing hole 21 - 22.5 mm
- GGVS/ADR tested

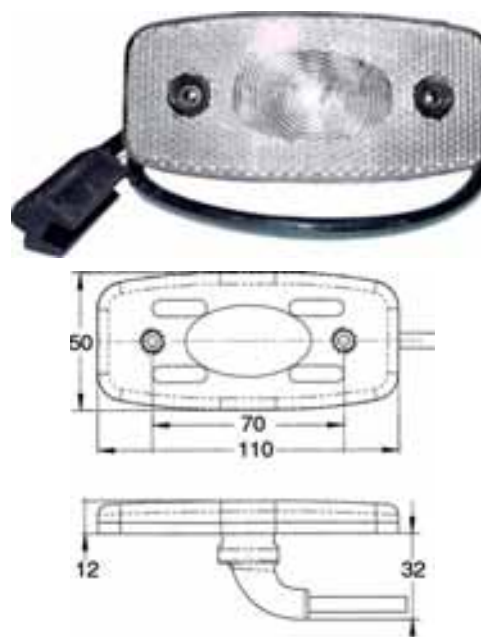
| Article No. | Article Description | QTY |
|-------------|------------------------------|-----|
| 3408 3 5 | LED-CLEARANCE LAMP MONOPOINT | 1 |



Clearance Lamp LED Plug, White

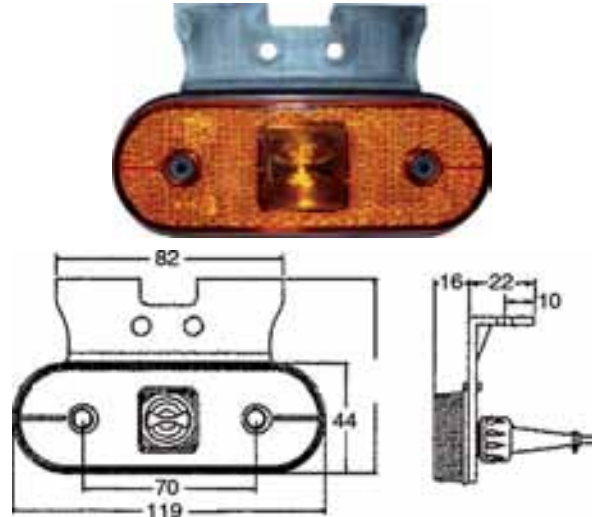
- 90° cable connection in 'Hotmelt processing' inserted in hot-melt adhesive
- Cable 0.5 m with P+R plug 24 W/1 W
- With reflector
- GGVS/ADR tested

| Article No. | Article Description | QTY |
|-------------|--------------------------------|-----|
| 3408 3 6 | LED-CL.LA.90° WHITE 24V W.PLUG | 1 |



Side Marker Lights LED Unipoint Angle, Yellow

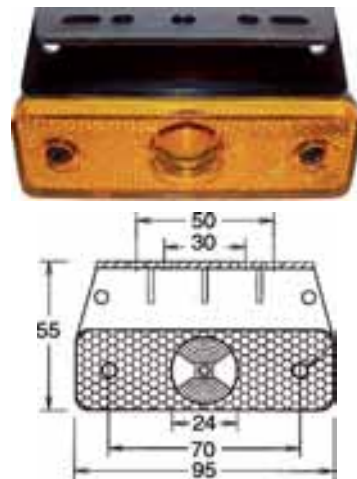
- Design with angle support 90°
- 24 V/1.3 W
- With reflector
- GGVS/ADR tested



| Article No. | Article Description | QTY |
|-------------|--------------------------------|-----|
| 3408 1 1 | LED-SIDE MARK.LI.UNIP. 90° ABV | 1 |

Side Marker Light LED Flatpoint, Yellow

- With protective casing, Bayonet connection and grommet 90°, angle support 90°
- 24 V/1.3 W
- With reflector
- GGVS/AADR tested



| Article No. | Article Description | QTY |
|-------------|--------------------------------|-----|
| 3408 1 2 | LED-SIDE MARKER LI.24V W.ANGLE | 1 |

Side Marker Light LED Unipoint, Flat Yellow

- For flat assembly
- Cable 0.5 m with P+R plug, 24 V/1.3 W
- With reflector
- GGVS/ADR tested

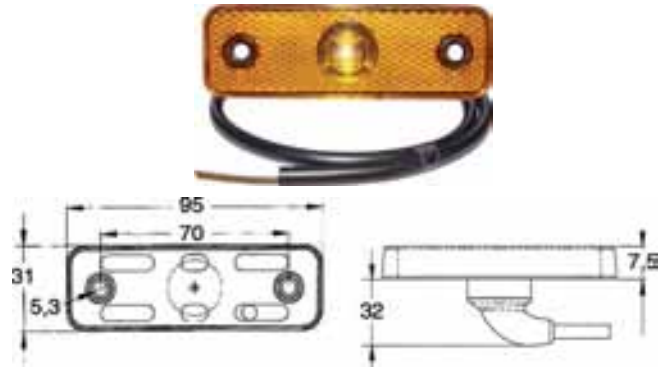


| Article No. | Article Description | QTY |
|-------------|---------------------------------|-----|
| 3408 1 3 | LED-SIDE MARKER LIGHT UNIPPOINT | 1 |

Side Marker Light LED, Yellow

- 90° cable connection in 'Hotmelt processing' inserted in hot-melt adhesive
- Cable 0.5 m, 24 V/0.8 W
- With reflector
- GGVS/ADR tested

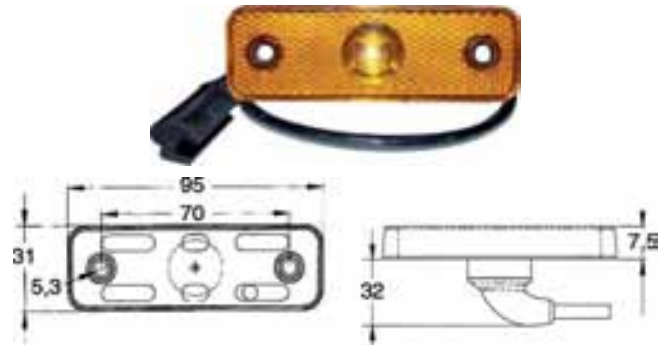
| Article No. | Article Description | QTY |
|-------------|--------------------------------|-----|
| 3408 1 4 | LED-SIDE MARK.LIGHT YELLOW 24V | 1 |



Side Marker Light LED Plug, Yellow

- 90° cable connection in 'Hotmelt processing' inserted in hot-melt adhesive
- Cable 0.5 m with P+R plug 24V/0.8W
- With reflector
- GGVS/ADR tested

| Article No. | Article Description | QTY |
|-------------|--------------------------------|-----|
| 3408 1 5 | LED-SIDE MA.LI.YELL.24V W.PLUG | 1 |



Side Marker Light LED Angle, Yellow

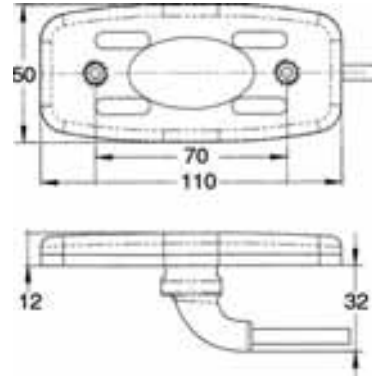
- 90° cable connection in 'Hotmelt processing' inserted in hot-melt adhesive
- Cable 0.5 m, 24 V/1 W
- Angle support
- With reflector
- GGVS/ADR tested

| Article No. | Article Description | QTY |
|-------------|-------------------------------|-----|
| 3408 1 12 | LED-SIDE MARKER LIGHT 90° 24V | 1 |



Side Marker Light LED Plug, Yellow

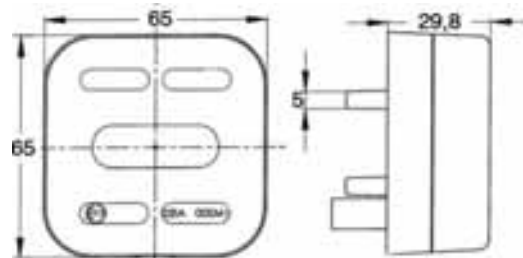
- 90° cable connection in 'Hotmelt processing' inserted in hot-melt adhesive
- Cable 0.5 m with P+R plug, 24V/1W
- With reflector
- GGVS/ADR tested



| Article No. | Article Description | QTY |
|-------------|--------------------------------|-----|
| 3408 1 13 | LED-SIDE MARK.LI.90° 24V W.PL. | 1 |

Side Marker Light LED Repair, Yellow

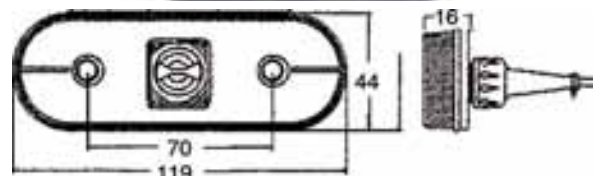
- Repair version, M.A.N
- Cable 0.5 m, 24 V
- With reflector



| Article No. | Article Description | QTY |
|-------------|-------------------------------|-----|
| 3408 1 14 | LED-SIDE MARKER LIGHT MAN 24V | 1 |

Side Marker Light LED Unipoint, Yellow

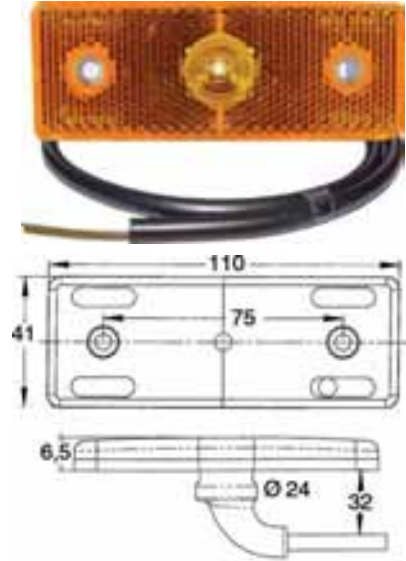
- Fitting version
- 24 V/1.3 W
- With reflector
- GGVS/ADR tested



| Article No. | Article Description | QTY |
|-------------|-------------------------------|-----|
| 3408 1 15 | LED-SIDE MARK.LI.UNIPOINT EBV | 1 |

Side Marker Light LED Pro-Flat, Yellow

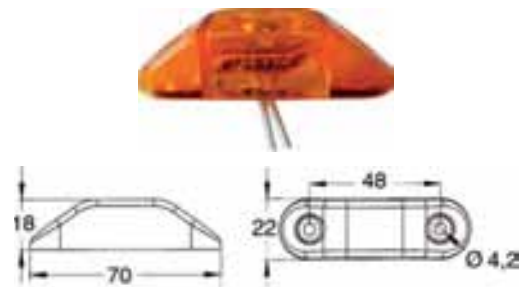
- 90° cable connection in 'Hotmelt processing' inserted in hot-melt adhesive
- Cable 0.5 m, 24 V/1 W
- With reflector
- GGVS/ADR tested



| Article No. | Article Description | QTY |
|-------------|--------------------------------|-----|
| 3408 1 6 | LED-SIDE M.LI.FOR BUS.110X41MM | 1 |

Side Marker Light LED Pro-Can, Yellow

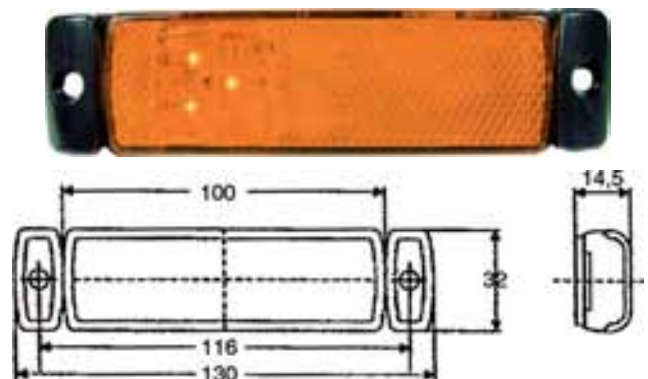
- Water-resistant, completely poured illumination housing
- Cable 0.5 m, 24 V/0.8 W



| Article No. | Article Description | QTY |
|-------------|------------------------------|-----|
| 3408 1 7 | LED-SIDE MARK.LI.PRO-CAN 24V | 1 |

Side Marker Light LED, Flat Yellow

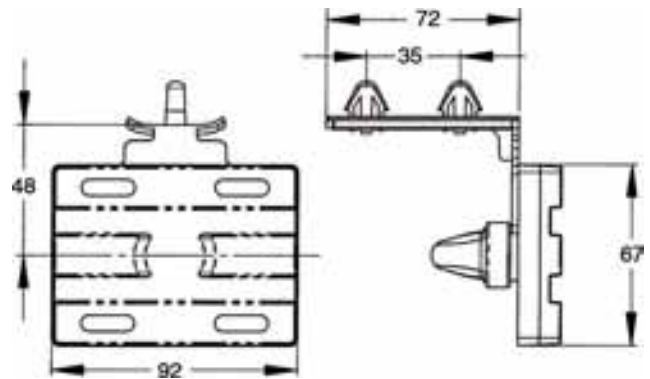
- Very flat version
- Cable 1.5 m poured 24 V
- With reflector



| Article No. | Article Description | QTY |
|-------------|--------------------------------|-----|
| 3408 1 8 | LED-SIDE MARKER LIGHT FLAT 24V | 1 |

Side Marker Light LED Plug Clips, Yellow

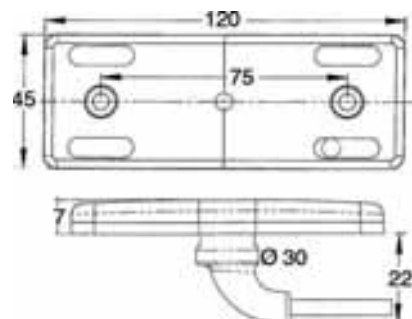
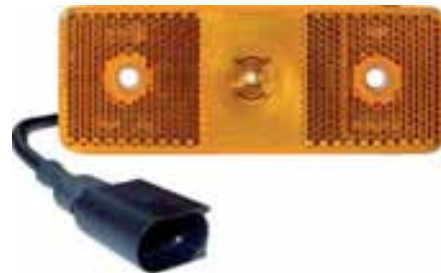
- Clip angular attachment 90°
- Cable 0.2 m with P+R plug 24 V/1 W
- With reflector
- GGVS/ADR tested



| Article No. | Article Description | QTY |
|-------------|--------------------------------|-----|
| 3408 1 9 | LED-SIDE MARK.LIGHT 24V W.PLUG | 1 |

Side Marker Light LED Plug Repair, Yellow

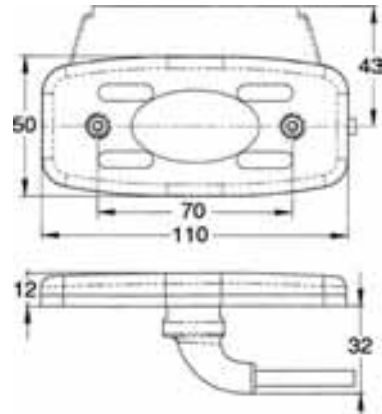
- 90° cable connection in 'Hotmelt processing' inserted in hot-melt adhesive
- Cable 0.2 m incl. connector plug, 24 V/1 W
- Repair version, MB ACTROS
- With reflector



| Article No. | Article Description | QTY |
|-------------|--------------------------------|-----|
| 3408 1 10 | LED-SIDE MARK.LI.MB 24V W.PLUG | 1 |

Side Marker Light LED Plug Angle, Yellow

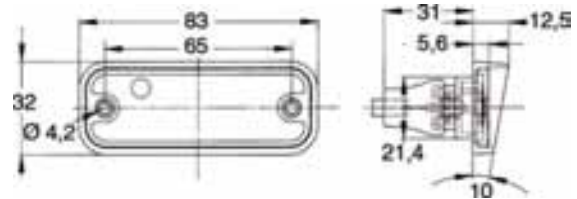
- 90° cable connection in 'Hotmelt processing' inserted in hot-melt adhesive
- Cable 0.5 m 12 V/1 W
- Angle support
- With reflector
- GGVS/ADR tested



| Article No. | Article Description | QTY |
|-------------|-------------------------------|-----|
| 3408 1 11 | LED-SIDE MARKER LIGHT 90° 12V | 1 |

License Plate Light LED Assembly, White

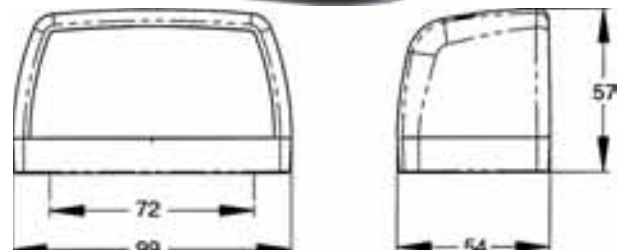
- For the fitting version
- Cable 0.5 m, 24 V/0.7 W
- GGVS/ADR tested



| Article No. | Article Description | QTY |
|-------------|---------------------------------|-----|
| 3408 5 1 | LED-LICENSE PLATE LIGHT 24V EBV | 1 |

License Plate Light LED Assembly, White

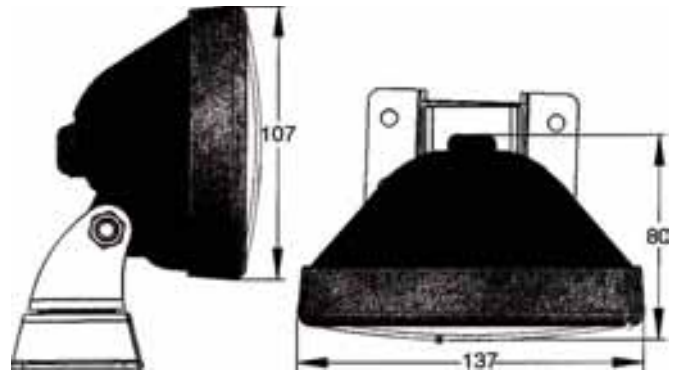
- For assembly, black
- Cable 0.5 m, 24 V
- GGVS/ADR tested



| Article No. | Article Description | QTY |
|-------------|---------------------------------|-----|
| 3408 5 2 | LED-LICENSE PLATE LIGHT 24V ABV | 1 |

LED Worklamp, White

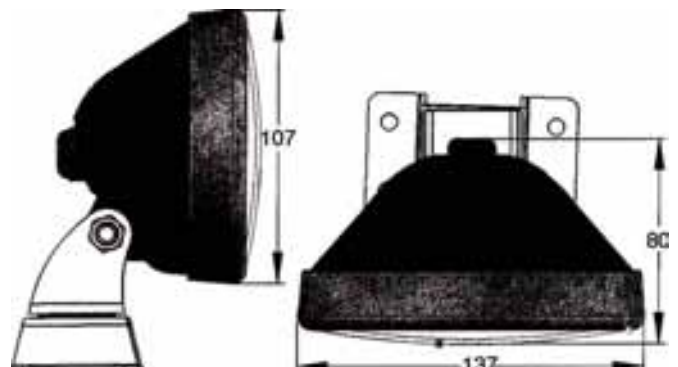
- For large-area intensive near-field illumination
- 6 high-performance wide angle LED
- U-shaped fixing, small compact construction
- Resistant to strong impacts
- Cable 1.75 m, 12 - 30 V
- GGVS/ADR tested



| Article No. | Article Description | QTY |
|-------------|---------------------|-----|
| 3408 7 3 | LED-WORKLAMP 12/24V | 1 |

LED Daytime-Running Lights Set, White

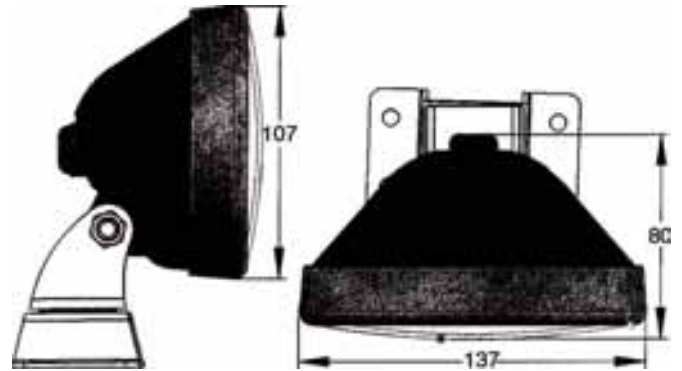
- Break-proof and watertight illumination element made of polycarbonate
- High-performance due to brilliant open-die design
- 6 high-performance LED of latest technology
- Resistant to strong impacts
- GGVS/ADR tested



| Article No. | Article Description | QTY |
|-------------|--------------------------------|-----|
| 3408 9 | LED-DAYLIGHT-RUN.LI.SET 12/24V | 1 |

Reversing Light LED, White

- Break-proof and watertight illumination element made of polycarbonate
- High luminous intensity due to brilliant open-die design
- 6 high-performance LED of latest technology
- Resistant to strong impacts
- Authorized for lateral and backward assembly
- Cable 1.75 m, 12 - 30 V
- GGVS/ADR tested



| Article No. | Article Description | QTY |
|-------------|----------------------------|-----|
| 3408 7 2 | LED-REVERSING LIGHT 12-30V | 1 |

Interior Light LED, White

- 12 LED interior lights with clear light disk
- Plastic housing in mounting/assembly design
- With white illumination



| Article No. | Article Description | QTY |
|-------------|---------------------------------|-----|
| 3408 8 | LED-INTERIOR LIGHT 24V 283X24MM | 1 |

LED 3-Chamber Light Pro-Spot, Red/White

- Flash, stop and return light in LED-technology
- 10 - 30 V
- Cable inlet at the back due to PG screwing
- Light disk made of polycarbonate
- GGVS/ADR tested



| Article No. | Article Description | QTY |
|-------------|----------------------------|-----|
| 3408 6 1 | LED-3-CHAMBER LIGHT 10-30V | 1 |

Rear Fog/Reversing Lamp LED Pro-Spot FR

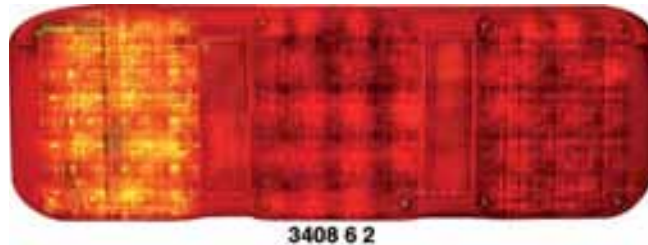
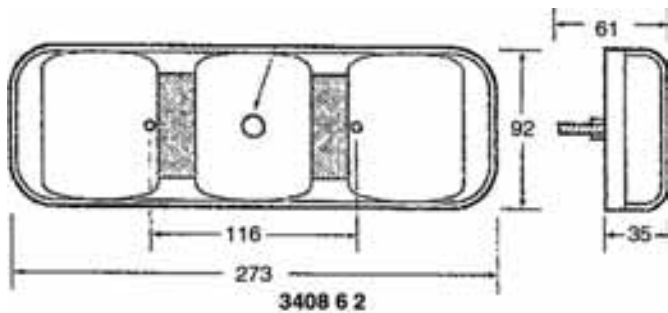
- Combined rear fog and reversing lamp in LED technology
- 10 - 30 V
- Cable inlet at the back due to PG screwing
- Light disk made of polycarbonate
- GGVS/ADR tested



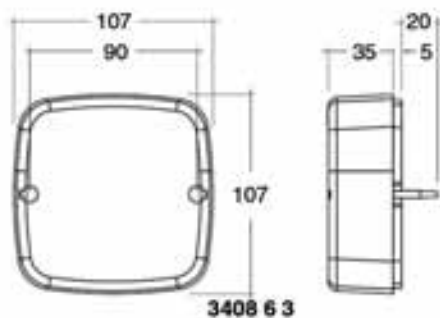
| Article No. | Article Description | QTY |
|-------------|--------------------------------|-----|
| 3408 7 1 | LED-REAR FOG/REVERS.LAMP10-30V | 1 |

LED 3-Chamber Light Pro, Yellow/Red

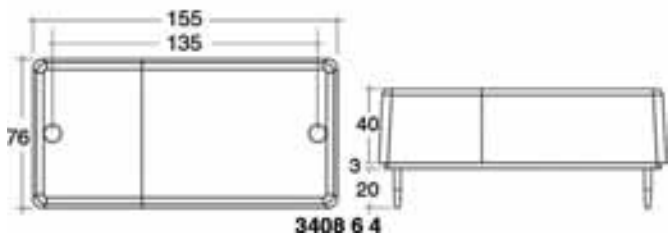
- Flash, stop and return light in LED-technology
- Made of break-proof polycarbonate, watertight with special flat construction
- Cable 0.5 m, 9 - 33 V
- With reflector
- GGVS/ADR tested



3408 6 2



3408 6 3

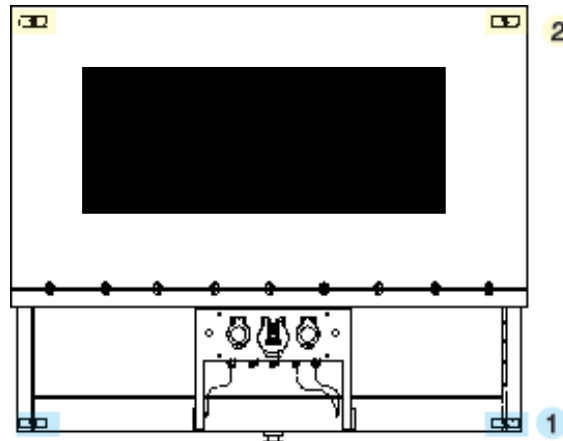


3408 6 4

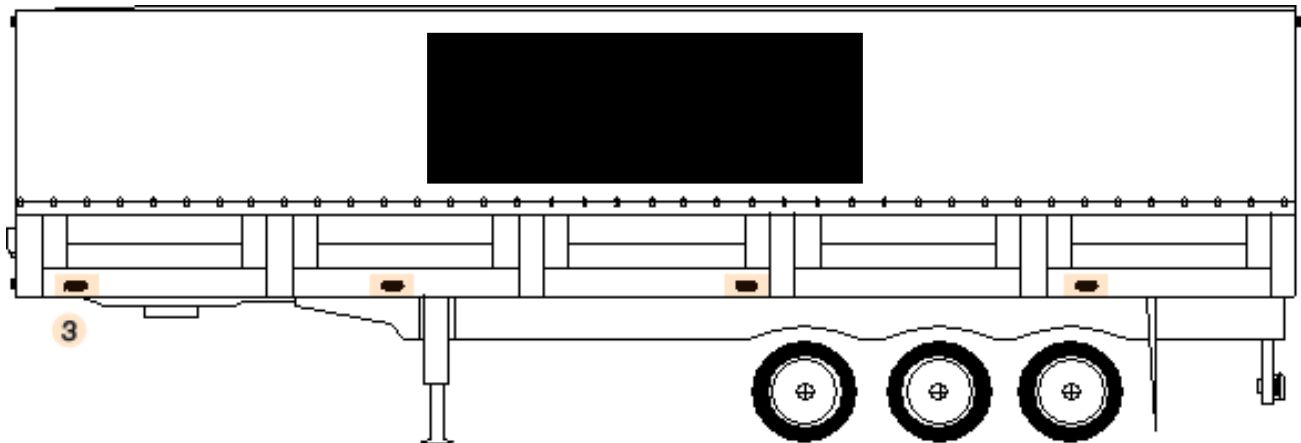
| Article No. | Article Description | QTY |
|-------------|--------------------------------|-----|
| 3408 6 2 | LED-3-CHAMB.LIGHT PRO-42 9-33V | 1 |
| 3408 6 3 | LED-3-CHAMB.LIGHT PRO-34 9-33V | 1 |
| 3408 6 4 | LED-3-CHAMB.LIGHT PRO-36 9-33V | 1 |

Legal guidelines for lighting equipment

(according to ECE regulation R-48. EWG 76/756) state 01/2004



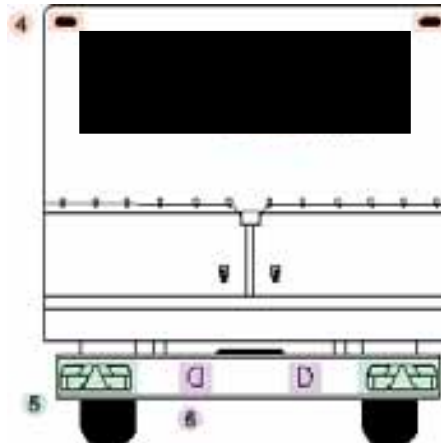
| | 1 – Side marker lights | 2 – Front end clearance lamps |
|-------------------------------|---|--|
| Art. No. | 3408 3 1/3408 3 2/3408 3 3/3408 3 4/3408 3 5/3408 3 6 | 3408 3 1/3408 3 2/3408 3 3/3408 3 4/3408 3 5/3408 3 6 |
| Number | 2 | 2 |
| Colour | white | white |
| Required for | vehicle, width > 1.6 m | vehicles > 2.1 m width |
| Permissible for | - | vehicles > 1.8 m width and < 2.1 m |
| Installation height | minimum 400 mm, maximum 1300 mm (exception 2100 mm), maximum 2100 mm only for caravans | as high as possible |
| Installation width | maximum 150 mm of the extreme border, minimum 600 mm between both lamps | as far outboard as possible, maximum 400 mm inwards |
| Geometrical visibility | Vertically 15°, however, with installation height from > 750 mm may be reduced on 5° Horizontally 80° outwards and 45° inwards | 80° outwards 5° above and 20° under the horizontal may be reduced to 5° Horizontally 80° outwards and 45° inwards |



| | 3 – Side marker lights |
|-------------------------------|---|
| Art. No. | 3408 1 1/3408 1 2/3408 1 3/3408 1 4/3408 1 5/3408 1 12/3408 1 13/3408 1 14/3408 1 15/3408 1 6/3401 7/3408 1 8/3408 1 9/3408 1 10/3408 1 11/3408 2 1/3408 2 2/3408 2 3 |
| Number | on both sides of vehicle (depending on the length) |
| Colour | yellow, in combination with vehicle rear light also possible in red |
| Required | vehicles with a total length of > 6 m |
| Installation height | min. 350 mm, max. 1500 mm (exception: 2100 mm) |
| Length installation | max. 3 m from the front (drawbar), max. 1 m from the back, max. 3 m between the separated lights (exception: 4 m) |
| Geometrical visibility | vertically 10° upwards and downwards (may be reduced downwards to 5° for installation height < 750 mm) Horizontally 45° inwards and outwards |
| Note | side reflectors and side marker lights may be combined in one housing |

Legal guidelines for lighting equipment

(according to ECE regulation R-48. EWG 76/756) state 01/2004



| | 4 – Rear end clearance lamps | 5 – Tail lights | | | | | | 6 – License plate lights |
|-------------------------------|--|--|--|--|---|--|---|--|
| | | Tail lights | Rear (triangle) reflectors | Stop lights | Rear fog lamps | Reversing lights (permissible) | Rear turn signals | |
| Art. No. | 3408 2 7/3408 4 1/3408 4 2/3408 4 3/3408 4 4/3408 2 4 | 3408 2 1/3408 2 2/3408 2 3/3408 2 5/3408 2 6/3408 6 1/3408 7 1/3408 6 2/3408 6 3/3408 6 4 | | | | | | 3408 5 1/3408 5 2 |
| Number | 2 | 2 | 2 | 2 | 1 or 2 | 1 or 2 | 2 | 1 or 2 |
| Colour | red | red | red | red | red | white | yellow | white |
| Required for | vehicle, width > 2.1 m | - | - | - | - | - | - | - |
| Permissible for | vehicle, width > 1.8 to 2.1 m | - | - | - | - | - | - | - |
| Installation height | as high as possible | mind. 350 mm, max. 1500 mm (exception 2100 mm) | triangular | triangular | mind. 250 mm, max. 1000 mm | mind. 250 mm, max. 1200 mm | mind. 350 mm, max. 1500 mm (exception: 2100 mm) | Mount: middle or left w. right-hand traffic (right with left-hand traffic) |
| Installation width | as far outboard as possible, at least 200 mm from rear position lamps | max. 400 mm outwards, min. 600 mm between both tail lights but min. 400 mm for vehicle width < 1300 mm | min. 250 mm, max. 900 mm (exception 1500 mm) max. 400 mm outwards, min. 600 mm between both rear reflectors min. 400 mm for vehicle widths < 1300 mm | min. 350 mm, max. 1500 mm (exception 2100 mm) min. 600 mm may be reduced 400 mm for vehicle widths < 1300 mm | max. no rule, min. 100 mm separation of the stop light If only 1 rear fog lamp is installed - required on the left from the middle with right-hand traffic (on the right from the middle with left-hand traffic) | no special rules. If only 1 reversing light is installed - required on the left from the middle with right-hand traffic (on the right from the middle with left-hand traffic) | may be reduced on 400mm for vehicle width < 1300 mm | Mount: middle or left with right-hand traffic (right with left-hand traffic) |
| Geometrical visibility | horizontally 80° outwards, vertical 5° above and 20° under the horizontal | horizontally 45° inside to 80° outside. Vertically +/- 15°, but with installation height < 750 mm 5° downwards | horizontally +/- 30°, vertically +/- 15°, but with installation height < 750 mm 5° downwards | vertically 15° (may be reduced on 5° if installation height of the light is < 750 mm). Horizontally 45° outwards and inwards | vertically 5° upward and downward, horizontally 25° inside and outwards. | light must be adjusted in a way that it doesn't illuminate more than 10m of the road to the rear. Made of 1 pc.: horizontally 45° outwards and inside made of 2 pieces: horizontally 30° inwards and 45° outwards. Vertically generally 15° upward and 5° downward | horizontally 45° inwards and 80° outwards; vertical 15° upwards and below (may be reduced on 5°, if installation height < 750 mm) | - |
| Note | forward (white) and backward (red) active lamps may be combined in one light | - | the installation of a rear light with integrated rectangular reflector is allowed for trailers | the installation of a rear light with integrated rectangular reflector is allowed for trailers | - | - | - | - |

Reflector, Self-adhesive

- Dia. 60 mm



| Article No. | Article Description | QTY |
|-------------|----------------------------------|-----|
| 3410 60 1 | REFLECTOR SELF-ADHES. RED 60MM | 10 |
| 3410 60 2 | REFLECTOR SELF-ADHES. YELL. 60MM | 10 |
| 3410 60 3 | REFLECTOR SELF-ADHES. WHITE 60MM | 10 |

Reflector with Screw Hole

- Dia. 60 mm
- Screw hole dia. 6 mm



| Article No. | Article Description | QTY |
|-------------|--------------------------------|-----|
| 3410 60 11 | REFLECTOR HOLE 6MM RED 60MM | 10 |
| 3410 60 12 | REFLECTOR HOLE 6M M YELL. 60MM | 10 |
| 3410 60 13 | REFLECTOR HOLE 6MM WHITE 60MM | 10 |

Reflector with Plastic Frame

- Screw M5 x 16
- Dia. 63 / 90 mm



| Article No. | Article Description | QTY |
|-------------|--------------------------------|-----|
| 3410 63 | REFLE.PLAS.FR.SCR.5X16RED 63MM | 10 |
| 3410 90 | REFLE.PLAS.FR.SCR.5X16RED 90MM | 10 |

Plastic Pendulum for Reflector

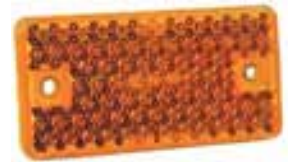


- With 2 steel spring clips, robust, resilient and torsion-resistant
- 2 screws M6 x 20 mm (interval 25 - 36 mm)

| Article No. | Article Description | QTY |
|-------------|--------------------------------|-----|
| 3411 200 | PENDUL.W. 2 SCREWS PLAST.200MM | 2 |

Reflector with 2 Screw Holes

- Screw-on holes dia. 4.5 mm (interval 70 mm)
- Dimensions: L 91 x W 47 mm



| Article No. | Article Description | QTY |
|--------------|--------------------------------|-----|
| 3411 91 47 1 | REFLECTOR W.2HOLES RED 91X47MM | 10 |
| 3411 91 47 2 | REFLECT.W.2HOLESYELL.91X47MM | 10 |

Reflector, Self-adhesive

- Size: L 94 x W 44 mm



| Article No. | Article Description | QTY |
|--------------|--------------------------------|-----|
| 3411 94 44 1 | REFLECTOR SELF-ADH.RED 94X44MM | 10 |
| 3411 94 44 2 | REFLECTOR SELF/ADH AMBER 94X44 | 10 |

Reflector, Self-adhesive

- Dimensions: L 122 x W 33 mm



| Article No. | Article Description | QTY |
|-------------|--------------------------------|-----|
| 3411 122 33 | REFLEC.SELF-ADH.YELLOW122X33MM | 10 |

Reflector with Plastic Frame

- 4 part and 2 screws M5 x 14 mm (distance 70 mm)
- Sizes: L 180 x H 160 mm



| Article No. | Article Description | QTY |
|--------------|-------------------------------|-----|
| 3411 180 160 | REFLECT.TRIANG.4PART180X160MM | 2 |

Reflector with Plastic Base

- 2 Screw holes dia. 5.2mm (distance 70 mm)
- Dimensions: L 159 x H 139 mm



| Article No. | Article Description | QTY |
|--------------|-------------------------------|-----|
| 3411 159 139 | REFLECT.2HOLESTRIAN.159X139MM | 2 |

Reflector with Galvanized Sheet Metal Frame

- 2 Screws M5 x 17 mm (interval 70 mm) for pendulum
- Dimensions: L 157 x H 138 mm



| Article No. | Article Description | QTY |
|--------------|-------------------------------|-----|
| 3411 157 138 | REFLEC.2SCREWSTRIAN.157X138MM | 2 |

Clearance Lamp with Attached Lens

- Lens red/white

Art. No. 3412 92 43 37:

- For direct attachment
- Dimensions: L 92 x W 43 x D 37 mm
- Suitable bulbs:
 - 3801 1401:12 V, 5 W spherical bulb
 - 3802 1402:24 V, 5 W spherical bulb

Art. No. 3412 124 43 64:

- With resilient angle suspension bracket
- For attachment below vehicle platform
- Dimensions: L 124 x W 43 x D 64 mm
- Suitable bulbs: 3412 92 43 37 3412 124 43 64
 - 3801 1401:12 V, 5 W spherical bulb
 - 3802 1402:24 V, 5 W spherical bulb

Art. No. 3412 122 43 42:

- With resilient suspension
- Dimensions: L122xW43xD42mm
- Suitable bulbs:
 - 3801 1401:12 V, 5 W spherical bulb
 - 3802 1402:24 V, 5 W spherical bulb

Art. No. 3412 88:

- With resilient suspension
- Dimensions: L 92.2 x W 50 x D 37.6 mm
- Suitable bulbs:
 - 3801 1401:12 V, 5 W bulb soffits
 - 3802 1402:24 V, 5 W bulb soffits 3412 122 43 42 3412 88

Valeo: FES 88A

Renault: 5000409926



| Article No. | Article Description | QTY |
|----------------|--------------------------------|-----|
| 3412 92 43 37 | CL.LAMP DIR.CONST.R/W 92X43MM | 2 |
| 3412 124 43 64 | CL.LAMP W.ANG.SUS.R/W124X43MM | 2 |
| 3412 122 43 42 | CL.LAMP W.SUSPENSION R/W122X43 | 2 |
| 3412 88 | CLEAR.LAMP SIGNAL FES 88A R/W | 1 |

Clearance Lamp with Screwed Lens

- Lens red/white, screwed
- GGVS tested
- Suitable bulbs:
 - 3801 1401: 12 V, 5 W spherical bulb
 - 3802 1402: 24 V, 5 W spherical bulb

Art. No. 3412 92 42 37:

- For direct attachment
- Dimensions: L 92 x W 43 x D 37 mm

Art. No. 3412 117 42 64:

- With resilient angle suspension bracket
- For attachment below vehicle platform
- Dimensions: L 120 x W 42 x D 64 mm

Art. No. 3412 114 42 43:

- With resilient suspension bracket
- Dimensions: L 116 x W 42 x D 37 mm



| Article No. | Article Description | QTY |
|----------------|--------------------------------|-----|
| 3412 92 42 37 | CLEAR.LAMP DI.CONST.SCR.92X42 | 2 |
| 3412 117 42 64 | CLEAR.LAMP ANG.SUS.SCR.117X42 | 2 |
| 3412 114 42 43 | CLEAR.LAMP W.SUSPEN.SCR.114X42 | 2 |

Clearance Lamp, Straight

- Colour white/red
- Flexible arm
- Prewired
- Without bulb

| Article No. | Article Description | QTY |
|-------------|-----------------------------|-----|
| 3413 1 | CLEARANCE LAMP STRAIGHT R/W | 1 |



Clearance Lamp, Angled

- Colour white/red
- Flexible arm
- Prewired
- Without bulb

| Article No. | Article Description | QTY |
|-------------|---------------------------|-----|
| 3413 2 | CLEARANCE LAMP ANGLED R/W | 1 |



Bulbs for Clearance Lamps

| Article No. | Article Description | QTY |
|-------------|------------------------------|-----|
| 3801 1401 | 12V 5W BULB SPHER BA15S | 10 |
| 3802 1402 | 24V 5W BULB SPHER BA15S | 10 |
| 3801 1711 | 12V5WBULBSOF.35MMSV8.5-8 | 10 |
| 3802 1712 | 24V 5W BULB SOF.35MM SV8.5-8 | 10 |

Lenses

- Suitable for straight and angled clearance lamps

| Article No. | Article Description | QTY |
|-------------|--------------------------------|-----|
| 3413 10 | REPLACE.GLASS RED F.CLEAR.LAMP | 2 |
| 3413 11 | REPL.GLASS WHITE F.CLEAR.LAMP | 2 |



Bulb Holder

- Suitable for straight and angled clearance lamps

| Article No. | Article Description | QTY |
|-------------|-------------------------------|-----|
| 3413 12 | BULB HOLDER F.CLEARANCE LAMPS | 1 |



“Superpoint” Clearance Lamp

- GGVS tested
- Bonded lens unit of impact-resistance polycarbonate, waterproof
- Holder housing with bayonet fitting
- With bulb 24V/4W and cable (approx. 30 cm), prewired

| Article No. | Article Description | QTY |
|-------------|---------------------------|-----|
| 3413 3 | CLEARANCE LAMP SUPERPOINT | 2 |



Side Marker Lamp, Screwed Lens

- GGVS tested
- Suitable bulbs:
C5W 12V/5W Art. No. 3801 1711
C5W 24V/5W Art. No. 3802 1712
- Dimensions: L 86 x W 39 x D 22

Article No. 3414 11:

- For lateral mounting on cross beam

Article No. 3414 21:

- With flexible angle suspension bracket for mounting cross beam



| Article No. | Article Description | QTY |
|-------------|-------------------------------|-----|
| 3414 11 | SIDE MARKER LAMP SCREWED | 10 |
| 3414 21 | SIDE MARK.LAMP SCR.W.ANG.SUS. | 10 |

Side Marker Lamp, Flat

- GGVS tested
- Flat mounting on body or or superstructure by inserting lamp socket into 25mm, dia. hole.
- 2 Holes dia. 4.2 mm, hole interval 90 mm
- 8 mm flat lamp, depth with bulb holder: 74 mm
- Dimensions: L 100 x W 44 x D 74/8
- Suitable bulbs (glass base bulbs):
 - W3W 12 V 3W Art. No. 3801 1611
 - W3W 24 V 3W Art. No. 3802 1612



| Article No. | Article Description | QTY |
|-------------|-----------------------|-----|
| 3414 50 | SIDE MARKER LAMP FLAT | 6 |

Revolving Beacon 12/24V

- For mounting with 3 M6 screws on body
- Hood with bayonet fitting
- Operates with 12V and 24 V systems (by replacing rubber on drive wheel)
- Supplied without bulb
- Dimensions H 179 mm x dia. 153 mm



| Article No. | Article Description | QTY |
|-------------|----------------------------|-----|
| 3414 30 | REVOLV.BEACONTHREEP.FIXING | 1 |

Revolving Beacon 12V/24V with Attachment Socket

- Mounting dia. 24 mm
- Hood with bayonet fitting
- Operates with 12V and 24 V systems (by replacing drive wheel)
- Supplied without bulb
- Dimensions H 236mm x dia. 149 mm



| Article No. | Article Description | QTY |
|-------------|-------------------------|-----|
| 3414 31 | REVOLVING BEACON SOCKET | 1 |

Revolving Beacon 12V/24V with Flexible Socket

- Mount dia. 24 mm
- Hood with bayonet fitting
- Dimensions: 290mm x 149 mm
- Operates with 12V and 24 V systems (by replacing rubber on drive wheel)
- Supplied without bulb



| Article No. | Article Description | QTY |
|-------------|---------------------------|-----|
| 3414 32 | REVOLV.BEACON FLEX.SOCKET | 1 |

Extension Bars for Revolving Beacon

- For use with 3414 31 and 3414 32
- With plug
- Dimensions 121 mm x dia. 24 mm
- For welding on

| Article No. | Article Description | QTY |
|-------------|-----------------------------|-----|
| 3414 36 | EXTENS.BARS F.REVOLV.BEACON | 1 |



Replacement Cap for Revolving Roof Lamp

- Fits Art. No. 3414 30, 3414 31, 3414 32
- Polycarbonate version

| Article No. | Article Description | QTY |
|-------------|-----------------------------|-----|
| 3414 35 | REPLACE.CAP F.REVOLV.BEACON | 1 |



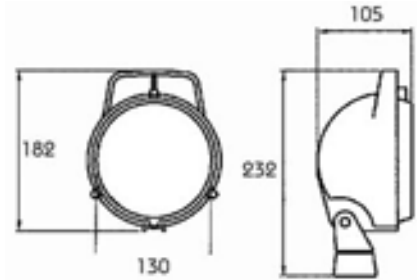
Bulbs

- to fit Art. No. 3414 30, 3414 31, 3414 32

| Article No. | Article Description | QTY |
|-------------|-------------------------|------|
| 3802 1112 | 24V H1 HALOGEN BULB 70W | e 10 |
| 3801 1111 | 12VH1 HALOGEN BULB 55W | e 10 |

Searchlight, Round

- H3 searchlight with glass lens for extensive, wide-range illumination
- Housing with handle and switch
- U-clamp mount
- H3 12V/24V

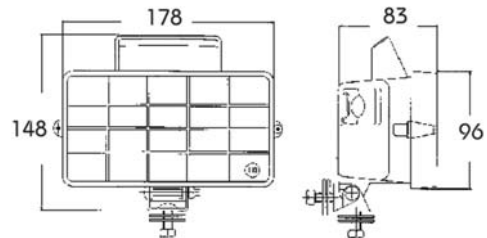


(Dimensions in mm)

| Article No. | Article Description | QTY |
|-------------|---------------------|-----|
| 3416 1 | SEARCHLIGHT 130MM | 1 |

Searchlight with Bars

- H3 searchlight with glass lens for extensive, wide-range illumination
- Housing with handle and switch
- U-clamp mount
- H312V/24V

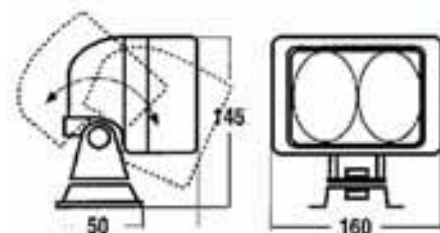


(Dimensions in mm)

| Article No. | Article Description | QTY |
|-------------|----------------------|-----|
| 3416 2 | SEARCHLIGHT 178X98MM | 1 |

Searchlight with Double Reflector

- H3 searchlight with glass lens and double reflector for extensive, intensive close-in illumination
- U-clamp mount
- 2 x H3 12V/24V

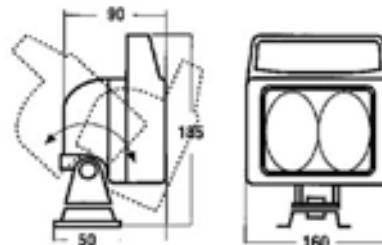


(Dimensions in mm)

| Article No. | Article Description | QTY |
|-------------|---------------------|-----|
| 3416 56 | SEARCHLIGHT 56 | 1 |

Searchlight with Handle

- H3 searchlight with glass lens and double reflector for extensive, intensive close-in illumination
- With handle and switch
- U-clamp mount
- 2 x H3 12V/24V



(Dimensions in mm)

| Article No. | Article Description | QTY |
|-------------|------------------------|-----|
| 3416 57 | SEARCHLIGHT W.HANDLE57 | 1 |

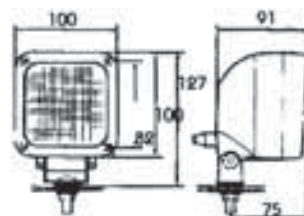
Searchlight

- H3 searchlight with glass lens for extensive, intensive close-in illumination
- Housing in small, compact design
- U-clamp mount
- Art. No. 3416 58 is completely wired and assembled with H3 bulb 24V/70W and ADR/GGVS approved



3416 58

3416 59

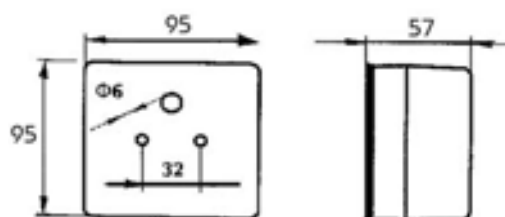


(Dimensions in mm)

| Article No. | Article Description | QTY |
|-------------|---------------------|-----|
| 3416 58 | SEARCHLIGHT 58 | 1 |
| 3416 59 | SEARCHLIGHT 59 | 1 |

Rear Fog Lamp

- Suitable bulb BA 15s, 21W in 12 or 24 Volt



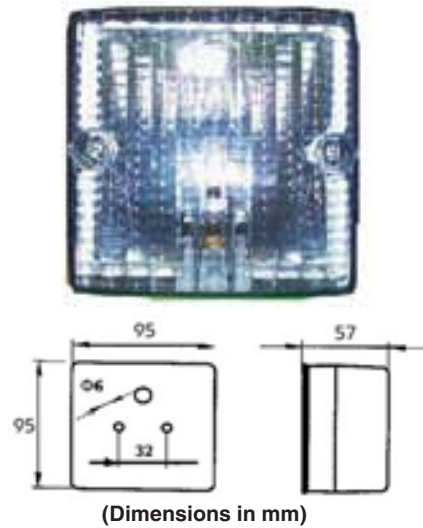
(Dimensions in mm)

| Article No. | Article Description | QTY |
|-------------|--------------------------|-----|
| 3416 3 | REAR FOG LAMP 95X95X57MM | 1 |

Reversing Lamp

- Mounting hole interval 32 mm
- Suitable bulbs BA 15s, 21W, 12 or 24 Volt
- Dimensions L 95 x W 95 x D 57 mm

| Article No. | Article Description | QTY |
|-------------|---------------------------|-----|
| 3416 4 | REVERSING LAMP 95X95X57MM | 1 |



Licence Plate Lamp

- Licence-plate lamp black
- 12V/24V

| Article No. | Article Description | QTY |
|-------------|---------------------|-----|
| 3416 5 | LICENCE PLATE LAMP | 1 |



Licence Plate Lamp PG

- Licence-plate lamp, black
- Cable entry PG screw connector
- 12V/24V

| Article No. | Article Description | QTY |
|-------------|-----------------------|-----|
| 3416 55 | LICENCE PLATE LAMP PG | 1 |



Rear Warning System

- To reduce volume, quickly shift into reverse twice
- 90 dB (A) and 78 dB (A) at distance of 1.00 m
- Medium version
- 12-24VDC
- Cable length 250 mm
- Presswater-proof, no soiling
- Plastic housing potted with epoxy resin
- e- and CE approval symbols
- Easy to install on rear of vehicles

| Article No. | Article Description | QTY |
|-------------|--------------------------------|-----|
| 3415 20 | REAR WARNING SYST.BA-42NS (NX) | 1 |



Magnetic Illumination Set 12 V

- Cable length: 7.5 m



| Article No. | Article Description | QTY |
|-------------|------------------------------|-----|
| 3416 84 | MAGNET.ILLUMINAT.SET 12V7.5M | 1 |

Lamp Set on Telescopic Bars 12 V

- Cross beam length adjustable from 0.90 m to 1.60 m
- Cable length: 7.5 m



| Article No. | Article Description | QTY |
|-------------|------------------------------|-----|
| 3416 85 | LAMP SET TELESCOPIC BARS 12V | 1 |

Rear Lamps, Round

- With rear, brake, flashing licence-plate lamp
- Clipped light glass
- Measurement: Ø 140 x 80 mm
- Fixing: 2 x M6.45 mm distance
- Without bulb



| Article No. | Article Description | QTY |
|-------------|---------------------|-----|
| 3416 86 | REAR LAMP, ROUND 86 | 1 |

Taillamp

- For trailers, campers etc.
- Right: Taillamp, brake lamp, turn signal
- Left: Taillamp, brake lamp, turn signal, licence plate lamp
- Mounting: 2 x M6.55 mm interval
- Without bulb



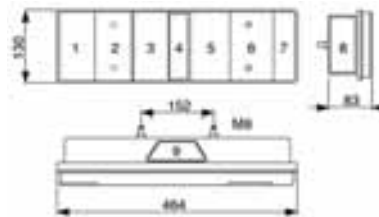
| Article No. | Article Description | QTY |
|-------------|--------------------------------|-----|
| 3416 81 | REAR LAMP WITHOUT LIC.PLAMP81 | 1 |
| 3416 82 | REAR LAMP WITH LICENCE PL L.82 | 1 |
| 3416 83 | LENS REAR LAMP 83 | 1 |

Chamber Light 7-fold

- GGSV tested
 - With brake lamp, turn signal, tail lamp, licence plate lamp, back-up lamp and rear fog lamp, clearance lamp, reflector
 - No equipped with bulb
- Art. No. 3416 15 and 3416 16:**
- Cable entry at the bottom of the housing



| Article No. | Article Description | QTY |
|-------------|--------------------------------|-----|
| 3416 6 | MK LAMP DAF MAN STEYR LE+RIGHT | 1 |
| 3416 7 | MK LAMP DAF MAN STEYR LEFT+LPL | 1 |
| 3416 8 | MK LAMP DAF LEFT+RIGHT | 1 |
| 3416 9 | MK LAMP DAF LEFT+LICEN.PL.LAMP | 1 |
| 3416 10 | MK LAMP IVECO LEFT | 1 |
| 3416 11 | MK LAMP IVECO RIGHT | 1 |
| 3416 12 | MK LAMP IVECO LEFT+LIC.PL.LAMP | 1 |
| 3416 13 | MK LAMPVOLVO RIGHT | 1 |
| 3416 14 | MK LAMPVOLVO LEFT+LIC.PL.LAMP | 1 |
| 3416 15 | MK LAMP SCANIA RIGHT | 1 |
| 3416 16 | MK LAMP SCANIA LEFT+LI.PL.LAMP | 1 |
| 3416 17 | MK LAMP RENAULT/UNI.LEFT+RIGHT | 1 |
| 3416 18 | MK LAMP RENAULT/UNIV.LEFT+LPL | 1 |
| 3416 19 | LENS 464X130MM | 1 |



1



2



3



4

Technical Data

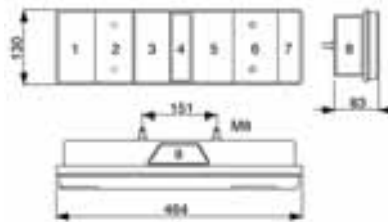
| Article No. | Manufacturer - Application | Cable connection | Stud interval | Version |
|-------------|--|------------------|---------------|-------------------------------|
| 3416 6 | M.A.N./STEYER: Housing: 81.25228-6030 Lens: 81.25229-6051 | 1 | 152 mm | left and right |
| 3416 7 | M.A.N./STEYER: Housing: 81.25228-6029 Light glass: 81.25229-6051 | 1 | 152 mm | left, with license-plate lamp |
| 3416 8 | DAF: 1284211 | 2 | 152 mm | left and right |
| 3416 9 | DAF: 1284212 | 2 | 152 mm | left, with license-plate lamp |
| 3416 10 | IVECO: 99 46 32 43 | 3 | 152 mm | left |
| 3416 11 | IVECO: 99 46 32 42 | 3 | 152 mm | right |
| 3416 12 | IVECO: 99 46 32 44 | 3 | 152 mm | left, with license-plate lamp |
| 3416 13 | VOLO/universal | 4 | 160 mm | right |
| 3416 14 | VOLO/universal | 4 | 160 mm | left, with license-plate lamp |
| 3416 15 | SCANIA: 136 59 64 | - | 152 mm | right |
| 3416 16 | SCANIA: 136 59 63 | - | 152 mm | left, with license-plate lamp |
| 3416 17 | RENAULT: 50 01 832 999 UNIVERSAL | 4 | 152 mm | left and right |
| 3416 18 | RENAULT: 50 01 831 194 UNIVERSAL | 4 | 152 mm | left, with license-plate lamp |

Chamber Light 7-fold **ECO**

- With clearance lamp, flashlight, stop light, tail light, rear fog lamp, reversing lamp, license-plate and side marking lamp, rear reflector
- Without bulb
- Art. No. 3416N 15 and 3416N 16:**
- Cable input at the bottom of the housing
- Fastening bolt: 4 x M6



| Article No. | Article Description | QTY |
|-------------|--------------------------------|-----|
| 3416N 6 | MK LAMP DAF/MAN/STEY.RE ECO | 1 |
| 3416N 7 | MK LAMP DAF/MAN/S.LEFT+LPL ECO | 1 |
| 3416N 11 | MK LAMP IVECO RIGHT ECO | 1 |
| 3416N 12 | MK LAMP IVECO LEFT+LPL ECO | 1 |
| 3416N 13 | MK LAMP VOLVO RIGHT ECO | 1 |
| 3416N 14 | MK LAMP VOLVO LEFT+LPL ECO | 1 |
| 3416N 15 | MK LAMP SCANIA RIGHT ECO | 1 |
| 3416N 16 | MK LAMP SCANIA LEFT+LPL ECO | 1 |
| 3416N 17 | MK LAMP RENAULT RIGHT ECO | 1 |
| 3416N 18 | MK LAMP RENAULT LEFT+LPL ECO | 1 |
| 3416N 19 | LENS 464X130MM ECO | 1 |



1



2



3

Technical Data

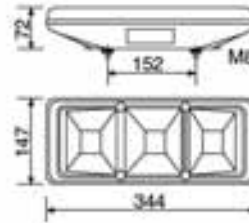
| Article No. | Cable connection | Stud interval | Version | Connecting system |
|-------------|------------------|---------------|------------------------------|---------------------------|
| 3416N 6 | 1 | 151 mm | right | 8-pole bayonet connection |
| 3416N 7 | 1 | 151 mm | left with license-plate lamp | 8-pole bayonet connection |
| 3416N 11 | 2 | 190 x 60 mm | right | Vehicle specific plug |
| 3416N 12 | 2 | 190x 60 mm | left with license-plate lamp | Vehicle specific plug |
| 3416N 13 | 3 | 151 mm | right | Cable and rubber bushing |
| 3416N 14 | 3 | 151 mm | left with license-plate lamp | Cable and rubber bushing |
| 3416N 15 | - | 151 mm | right | Cable and rubber bushing |
| 3416N 16 | - | 151 mm | left with license-plate lamp | Cable and rubber bushing |
| 3416N 17 | 3 | 151 mm | right | Cable and rubber bushing |
| 3416N 18 | 3 | 151 mm | left with license-plate lamp | Cable and rubber bushing |

Chamber Lamp, 3-fold, Universal

- For trailers
- With turn signal, brake and back-up lamp, license-plate lamp
- Not equipped with light bulb
- Cable entry on back

Technical Data

| Article No. | Version | Hella comparison on. |
|-------------|------------------------------|----------------------|
| 3416 60 | right and left | 2SD 003 167011 |
| 3416 61 | left with license-plate lamp | 2SE 003 167031 |
| 3416 62 | right | |
| 3416 63 | left and right | |



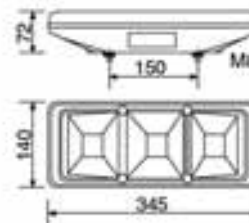
| Article No. | Article Description | QTY |
|-------------|------------------------------|-----|
| 3416 60 | MK UNIVERSAL LAMP RIGHT+LEFT | 1 |
| 3416 61 | MK UNIVERSAL LAMP LEFT | 1 |
| 3416 62 | MK UNIVERSAL LAMP RIGHT | 1 |
| 3416 63 | LENS 340X143 3CHAMB.LA. | 2 |

Chamber Lamp, 3-fold, Universal *ECO*

- For trailers
- With turn signal, brake, tail and license-plate lamp
- Not equipped with light bulb
- Cable entry on back

Technical Data

| Article No. | Version | Connection |
|-------------|------------------------------|----------------------------|
| 3416N 61 | left with license-plate lamp | Cable entry rubber grommet |
| 3416N 62 | right | Cable entry rubber grommet |
| 3416N 63 | left and right | |



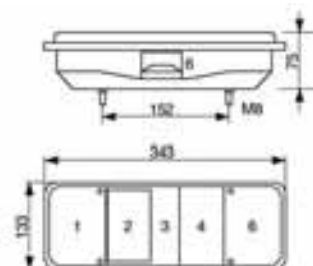
| Article No. | Article Description | QTY |
|-------------|--------------------------------|-----|
| 3416N 61 | MK LAMP TRAIL.UNI.LEFT+LPL ECO | 1 |
| 3416N 62 | MK LAMP TRAILER UNI.RIGHT ECO | 1 |
| 3416N 63 | LENS TRAILER UNI.ECO | 1 |

Chamber Lamp, 5-fold, Universal

- For trailers and semi-trailers
- With brake lamp, turn signal, tail lamp, back-up and rear fog lamp without reflector
- Not equipped with light bulb
- Cable entry on back of housing

Technical Data

| Article No. | Hella Comparison No. |
|-------------|----------------------|
| 3416 23 | 9EL 122772-071 |



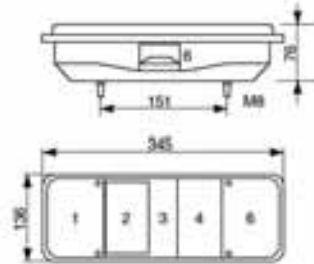
| Article No. | Article Description | QTY |
|-------------|--------------------------------|-----|
| 3416 20 | MK LAMP TRAILER UNIVERSAL LEFT | 1 |
| 3416 21 | MK LAMP TRAILER UNIV.RIGHT | 1 |
| 3416 22 | MK LAMP TRAILER UNI.LEFT+LPL | 1 |
| 3416 23 | LENS 343X133MM | 2 |

Chamber Lamp, 5-fold, Universal **ECO**

- For trailers
- With turn signal, tail, brake, rear fog, back-up and license-plate lamp
- Not equipped with light bulb
- Cable entry on back

Technical Data

| Article No. | Version | Connection |
|-------------|------------------------------|----------------------------|
| 3416N 21 | right | Cable entry rubber grommet |
| 3461N 22 | left with license-plate lamp | Cable entry rubber grommet |
| 3416N 23 | left and right | |



| Article No. | Article Description | QTY |
|-------------|------------------------------|-----|
| 3416N 21 | MK LAMP TRAILER RIGHT ECO | 1 |
| 3416N 22 | MK LAMP TRAILER LEFT+LPL ECO | 1 |
| 3416N 23 | LENS TRAILER RIGHT-LEFT ECO | 1 |

Chamber Lamp, 4-fold, Mercedes Left

- With brake lamp, turn signal, tail and rear fog lamp as well as reflector
- Not equipped with light bulb
- Cable entry on back of housing

Technical Data

| Article No. | Hella Comparison No. |
|-------------|----------------------|
| 3416 24 | 2VA004887-031 |
| 3416 25 | 9EL131420-001 |



| Article No. | Article Description | QTY |
|-------------|------------------------|-----|
| 3416 24 | MK LAMP MERCEDES LEFT | 1 |
| 3416 25 | LENS MB 425X110MM LEFT | 2 |

Chamber Lamp, 4-fold, Mercedes Right

- With brake lamp, turn signal, tail and back-up lamp as well as reflector
- Not equipped with light bulb
- Cable entry on back of housing

Technical Data

| Article No. | Hella Comparison No. |
|-------------|----------------------|
| 3416 26 | 2VP004887-021 |
| 3416 27 | 9EL131420-011 |



| Article No. | Article Description | QTY |
|-------------|-------------------------|-----|
| 3416 26 | MK LAMP MERCEDES RIGHT | 1 |
| 3416 27 | LENS MB 425X110MM RIGHT | 2 |

Chamber Lamp, 6-fold, Mercedes

- Suitable for Mercedes-SK serie (heavy class)
- With brake lamp, turn signal, tail, back-up, rear fog and clearance lamp as well as reflector and yellow side marker lamp
- Cable connection: 1.200 mm cable with cylindrical pin, back of housing
- Not equipped with light bulb

Technical Data

| Article No. | Manufact. ref. | Version / Use |
|-------------|-----------------|-----------------------------------|
| 3416 28 | MB 001 540 1770 | left, with license-plate lamp |
| 3416 29 | MB 001 540 1870 | right, without license-plate lamp |
| 3416 30 | MB 002 544 1290 | lens left |
| 3416 31 | MB 002 544 1390 | lens right |

| Article No. | Article Description | QTY |
|-------------|------------------------------|-----|
| 3416 28 | MK LAMP MERCEDES SK LEFT+LPL | 1 |
| 3416 29 | MK LAMP MERCEDES SK RIGHT | 1 |
| 3416 30 | LENS MB SK/ACTROS LEFT | 1 |
| 3416 31 | LENS MB SK/ACTROS RIGHT | 1 |



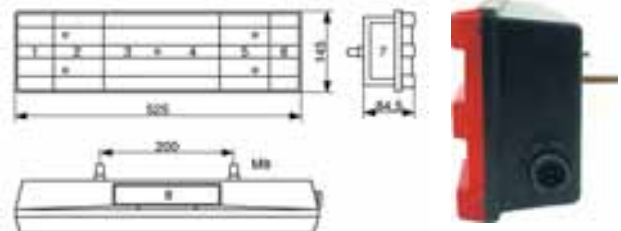
Chamber Lamp, 6-fold, Mercedes Actros

- Cable connection: over lateral compact plug
- Not equipped with light bulb

Technical Data

| Article No. | Manufact. ref. | Version / Use |
|-------------|-----------------|-----------------------------------|
| 3416 32 | MB 001 540 5770 | left, with licence-plate lamp |
| 3416 33 | MB 001 540 6370 | right, without licence-plate lamp |
| 3416 30 | MB 002 544 3790 | lens left |
| 3416 31 | MB 002 544 3690 | lens right |

| Article No. | Article Description | QTY |
|-------------|----------------------------|-----|
| 3416 32 | MK LAMP MB ACTROS LEFT+LPL | 1 |
| 3416 33 | MK LAMP MB ACTROS RIGHT | 1 |
| 3416 30 | LENS MB SK/ACTROS LEFT | 1 |
| 3416 31 | LENS MB SK/ACTROS RIGHT | 1 |



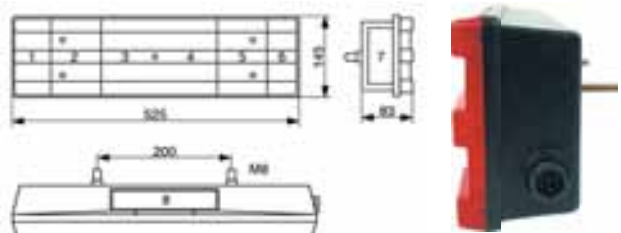
Chamber Lamp, 6-fold MB Actros *ECO*

- With clearance lamp, turn signal, brake, stop, rear fog, back-up, license-plate and side marker lamp, reflector
- Not equipped with light bulb
- Cable connection over lateral compact plug

Technical Data

| Article No. | Version | Connection |
|-------------|------------------------------|------------|
| 3416N 32 | left with license-plate lamp | AMP plug |
| 3416N 33 | right | AMP plug |
| 3416N 30 | left and right | |

| Article No. | Article Description | QTY |
|-------------|-----------------------------|-----|
| 3416N 32 | MK LAMP ACTROS LEFT+LPL ECO | 1 |
| 3416N 33 | MK LAMP ACTROS RIGHT ECO | 1 |
| 3416N 30 | LENS ACTROS LEFT+RIGHT ECO | 1 |



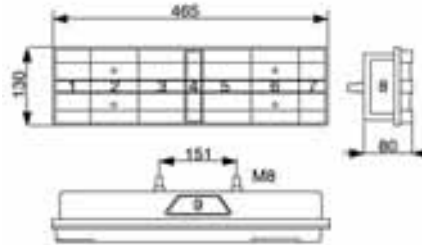
Chamber Lamp, 7-fold, Mercedes Sprinter

- GGVS tested
- Suitable for Mercedes Sprinter
- With brake lamp, turn signal, tail and clearance lamp, reflector, yellow side marker lamp
- Not equipped with light bulb
- PG connection, on back of housing

Technical Data

| Article No. | Version / Use | Manufac. ref. |
|-------------|--|-----------------|
| 3416 34 | left and right | MB 002 544 5403 |
| 3416 35 | left, with rear fog and licence-plate lamp | MB 002 544 5503 |
| 3416 38 | lens left and right | MB 002 544 4790 |

| Article No. | Article Description | QTY |
|-------------|--------------------------------|-----|
| 3416 34 | MK LAMP MB SPRINTER LEFT+RIGHT | 1 |
| 3416 35 | MK LAMP MB SPRINTER LEFT+LPL | 1 |
| 3416 38 | LENS MB SPRINTER/ATEGO L+R | 1 |



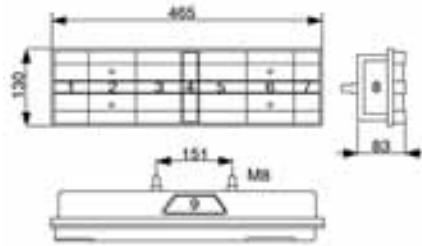
Chamber Lamp, 7-fold, MB Sprinter *ECO*

- With clearance lamp, turn signal, brake, tail, rear fog, back-up, license-plate and side marker lamp, reflector
- Not equipped with light bulb
- Cable entry on back

Technical Data

| Article No. | Version | Connection |
|-------------|------------------------------|-------------------------------|
| 3416N 34 | right | Cable entry rubber grommet |
| 3416N 35 | left with license-plate lamp | Cable entry rubber grommet |
| 3416N 38 | left and right | |

| Article No. | Article Description | QTY |
|-------------|-------------------------------|-----|
| 3416N 34 | MK LAMP SPRINTER RIGHT ECO | 1 |
| 3416N 35 | MK LAMP SPRINTER LEFT+LPL ECO | 1 |
| 3416N 38 | LENS SPRINTER/ATEGO ECO | 1 |



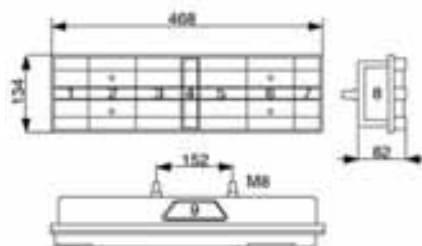
Chamber Lamp, 7-fold, Mercedes Atego

- GGVS tested
- Suitable for Mercedes Atego
- Cable connection: compact plug MB, on back of housing
- Not equipped with light bulb

Technical Data

| Article No. | Version / Use | Manufac. ref. |
|-------------|--|-----------------|
| 3416 36 | left and right | MB 003 544 5403 |
| | | MB 003 544 5703 |
| 3416 37 | left, with rear fog and licence-plate lamp | MB 003 544 5303 |
| | | MB 003 544 5603 |
| 3416 38 | lens left and right | MB 002 544 4790 |

| Article No. | Article Description | QTY |
|-------------|-----------------------------|-----|
| 3416 36 | MK LAMP MB ATEGO LEFT+RIGHT | 1 |
| 3416 37 | MK LAMP MB ATEGO LEFT+LPL | 1 |
| 3416 38 | LENS MB SPRINTER/ATEGO L+R | 1 |

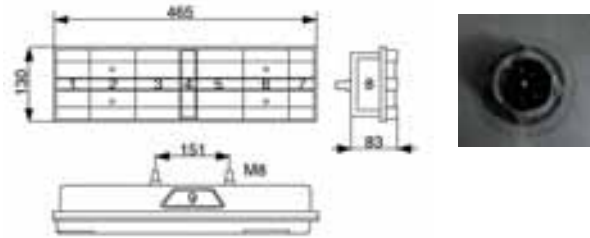


Chamber Lamp, 7-fold, MB Atego **ECO**

- With clearance lamp, turn signal, brake, tail, rear fog, back-up, license-plate and side marker lamp, reflector
- Not equipped with light bulb
- Compact plug on back of housing

Technical Data

| Article No. | Version | Connection |
|-------------|------------------------------|---------------------|
| 3416N 36 | right | 8-pole bayonet plug |
| 3416N 37 | left with license-plate lamp | 8-pole bayonet plug |
| 3416N 38 | left and right | |



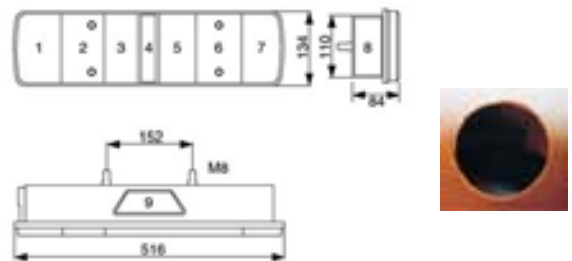
| Article No. | Article Description | QTY |
|-------------|----------------------------|-----|
| 3416N 36 | MK LAMP ATEGO RIGHT ECO | 1 |
| 3416N 37 | MK LAMP ATEGO LEFT+LPL ECO | 1 |
| 3416N 38 | LENS SPRINTER/ATEGO ECO | 1 |

Multi-Chamber Lamp, Scania

- TÜV tested
- With turn signal, brake, tail, rear fog, back-up, clearance, license-plate and side marker lamp, reflector
- Not equipped with light bulb
- Cable entry on back

Technical Data

| Article No. | Version / Use | Manufact. ref. |
|-------------|------------------------------|----------------|
| 3416 39 | left with licence-plate lamp | Scania 1436867 |
| 3416 40 | right | Scania 1436868 |
| 3416 43 | lens left and right | Scania 1380819 |



| Article No. | Article Description | QTY |
|-------------|-------------------------|-----|
| 3416 39 | MK LAMP SCANIA LEFT 39 | 1 |
| 3416 40 | MK LAMP SCANIA RIGHT 40 | 1 |
| 3416 43 | LENS SCANIA, VOLVO 43 | 1 |

Chamber Lamp, 7-fold, Scania **ECO**

- With clearance lamp, turn signal, brake, tail, rear fog, back-up, license-plate and side marker lamp, reflector
- Not equipped with light bulb
- Cable entry on back

Technical Data

| Article No. | Version | Connection |
|-------------|------------------------------|-------------------------------|
| 3416N 39 | left with license-plate lamp | Cable entry rubber grommet |
| 3416N 40 | right | Cable entry rubber grommet |
| 3416N 43 | left and right | |



| Article No. | Article Description | QTY |
|-------------|-----------------------------|-----|
| 3416N 39 | MK LAMP SCANIA LEFT+LPL ECO | 1 |
| 3416N 40 | MK LAMP SCANIA RIGHT ECO | 1 |
| 3416N 43 | LENS SCANIA/VOLVO ECO | 1 |

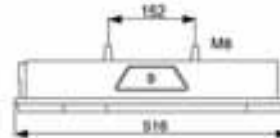
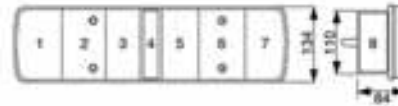
Multi-Chamber Lamp, Volvo

- TÜV tested
- With turn signal, brake, tail, rear fog, back-up, clearance, license-plate and side marker lamp, reflector
- Equipped with light bulb
- Lateral plug connection

Technical Data

| Article No. | Version / Use | Manufact. ref. |
|-------------|------------------------------|---------------------|
| 3416 41 | left with licence-plate lamp | Volvo 08/98 3981455 |
| 3416 42 | left and right | Volvo 08/98 3981456 |
| 3416 43 | lens left and right | Volvo 08/98 3981782 |

| Article No. | Article Description | QTY |
|-------------|------------------------|-----|
| 3416 41 | MK LAMP VOLVO LEFT 41 | 1 |
| 3416 42 | MK LAMP VOLVO RIGHT 42 | 1 |
| 3416 43 | LENS SCANIA, VOLVO 43 | 1 |



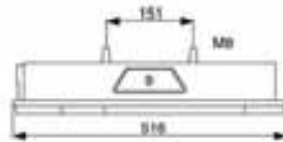
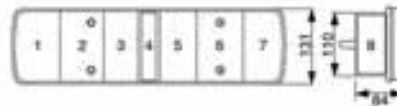
Multi-Chamber Lamp, 7-fold, Volvo *ECO*

- With clearance lamp, turn signal, brake, tail, rear fog, back-up, license-plate and side marker lamp, reflector
- Not equipped with light bulb
- Lateral plug connection

Technical Data

| Article No. | Version | Connection |
|-------------|------------------------------|------------|
| 3416N 41 | left with license-plate lamp | AMP plug |
| 3416N 42 | right | AMP plug |
| 3416N 43 | left and right | |

| Article No. | Article Description | QTY |
|-------------|----------------------------|-----|
| 3416N 41 | MK LAMP VOLVO LEFT+LPL ECO | 1 |
| 3416N 42 | MK LAMP VOLVO RIGHT ECO | 1 |
| 3416N 43 | LENS SCANIA/VOLVO ECO | 1 |



Multi-Chamber Lamp, Europoint

- With integrated triangular reflector
- TÜV tested
- With turn signal, brake, tail, rear fog, back-up, clearance and side marker lamp, triangular reflector
- Not equipped with light bulb
- Mount: 2x M8, 152 mm distance



Technical Data

| Article No. | Version / Use | Cable connection | Manufact. ref. |
|-------------|------------------------------|------------------|--------------------|
| 3416 44 | left | 2 | Aspöck 25-5100-501 |
| 3416 45 | left with license-plate lamp | 2 | Aspöck 25-5101-501 |
| 3416 46 | right | 2 | Aspöck 25-5500-501 |
| 3416 64 | right | 1 | Aspöck 25-5400-511 |
| 3416 65 | left with license-plate lamp | 1 | Aspöck 25.5001-511 |
| 3416 47 | lens left and right | | Aspöck 18-8550-002 |

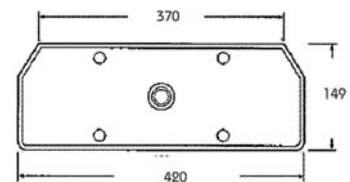


1



2

| Article No. | Article Description | QTY |
|-------------|------------------------------|-----|
| 3416 44 | MK LAMP EUROPOINT LEFT 44 | 1 |
| 3416 45 | MK LAMP EUROPOINT LEFT 45 | 1 |
| 3416 46 | MK LAMP EUROPOINT RIGHT 46 | 1 |
| 3416 64 | MK LAMP EUROPOINT RIGHT 64 | 1 |
| 3416 65 | MK-LAMP EUROPOINT LEFT 65 | 1 |
| 3416 47 | LENS EUROPOINT LEFT/RIGHT 47 | 1 |



Multi-Chamber Lamp, Europoint **ECO**

- With clearance lamp, turn signal, tail, rear fog, back-up, license-plate and side marker lamps, reflector
- Not equipped with light bulb



Technical Data

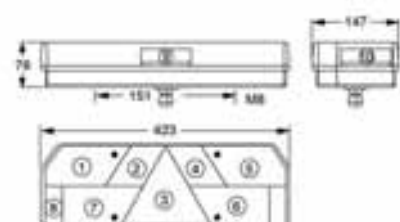
| Article No. | Version | Cable connection | Connection |
|-------------|------------------------------|------------------|-----------------------------|
| 3416N 45 | left with license-plate lamp | 2 | Cable entry rubber grommets |
| 3416N 46 | right | 2 | Cable entry rubber grommets |
| 3416N 64 | right | 1 | Aspöck compact plug |
| 3416N 65 | left with license-plate lamp | 1 | Aspöck compact plug |
| 3416N 47 | left | | |
| 3416N 47 1 | right | | |



1



2



| Article No. | Article Description | QTY |
|-------------|--------------------------------|-----|
| 3416N 45 | MK LAMP EUROP.LEFT+LPL ECO 45 | 1 |
| 3416N 46 | MK LAMP EUROPOINT RIGHT ECO 46 | 1 |
| 3416N 64 | MK LAMP EUROPOINT RIGHT ECO 64 | 1 |
| 3416N 65 | MK LAMP EUROP.LEFT+LPL ECO 65 | 1 |
| 3416N 47 | LENS EUROPOINT LEFT ECO | 1 |
| 3416N 47 1 | LENS EUROPOINT RIGHT ECO | 1 |

Multi-Chamber Lamp, Ecopoint

- Universal
- With turn signal, brake, tail, rear fog, back-up and license-plate lamp, reflector
- Mount: 2 x M8, 152 distance
- Equipped with light bulb
- Aspöck compact plug, on back of housing



Technical Data

| Article No. | Version / Use | Manufact. ref. | Connection |
|-------------|------------------------------|--------------------|--------------|
| 3416 77 | left | Aspöck 25-2000-507 | Compact plug |
| 3416 78 | right | Aspöck 25-2400-507 | Compact plug |
| 3416 79 | left with license-plate lamp | Aspöck 25-2001-507 | Compact plug |
| 3416 80 | lens Ecopoint | Aspöck 18-8520-002 | |



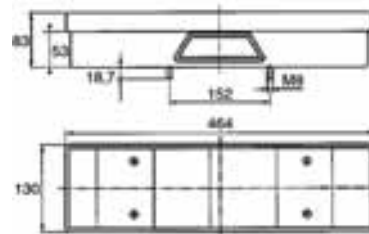
| Article No. | Article Description | QTY |
|-------------|-------------------------------|-----|
| 3416 77 | MK LAMP ECOPOINT LINKS 77 | 1 |
| 3416 78 | MK LAMP EUROPOINT RIGHT 78 | 1 |
| 3416 79 | MK LAMP EUROPOINT LEFT+LPL 79 | 1 |
| 3416 80 | LENS ECOPOINT 80 | 2 |

Multi-Chamber Lamp, M.A.N.TG-A/Renault

- TÜV tested
- With turn signal, brake, tail, rear fog, back-up, clearance, license-plate and side marker lamp, reflector
- Not equipped with light bulb

Technical Data

| Art. No. | Version / Use | Manufact. ref. |
|----------|------------------------------|--|
| 3416 48 | left | M.A.N.TG-A 81.25225.6523 Renault |
| 3416 49 | right | |
| 3416 50 | left with licence plate lamp | 5001847585 |
| 3416 50 | | M.A.N.TG-A 81.25225.6524 Renault |



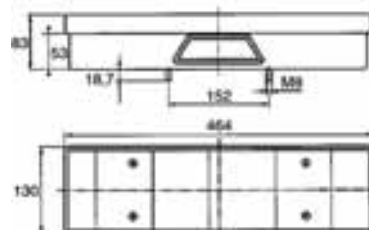
| Article No. | Article Description | QTY |
|-------------|------------------------------|-----|
| 3416 48 | MK LAMP MAN,RENAULT LEFT 48 | 1 |
| 3416 49 | MK LAMP MAN,RENAULT RIGHT 49 | 1 |
| 3416 50 | MK LAMP MAN,RENAULT LEFT 50 | 1 |

Multi-Chamber Lamp, M.A.N.T.G-A/Renault **ECO**

- With clearance lamp, turn signal, brake, tail, rear fog, back-up, license-plate and side marker lamp, reflector
- Not equipped with light bulb
- Lateral plug connector

Technical Data

| Article No. | Distance of stud | Version |
|-------------|------------------|------------------------------|
| 3416N 49 | 151 mm | right |
| 3416N 50 | 151 mm | left with license-plate lamp |



| Article No. | Article Description | QTY |
|-------------|-------------------------------|-----|
| 3416N 49 | MK LAMP MAN/RENAULT RIGHT ECO | 1 |
| 3416N 50 | MK LAMP MAN/REN.LEFT+LPL ECO | 1 |
| 3416N 19 | LENS 464X130MM ECO | 1 |

Multi-Chamber Lamp, Kögel/Schmitz

- TÜV tested
- With turn signal, brake, tail, rear fog, back-up and side marker lamp
- Not equipped with light bulb

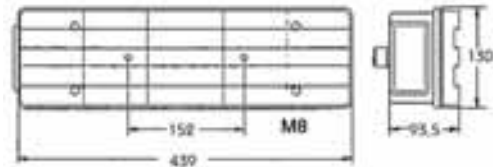


Technical Data

| Article No. | Version / Use | Manufact. ref. | Connection |
|-------------|---------------------|--|------------------------------|
| 3416 52 | left and right | Kögel 333 423 Schmitz | Cable 1.44 m + Plug 6-pin |
| 3416 53 | left and right | Kögel 324 944 Schmitz 062 345/062 423 | Connecting plug 6-pin |
| 3416 54 | Lens left and right | Kögel 324 945 Schmitz 062 447 | |



| Article No. | Article Description | QTY |
|-------------|------------------------------|-----|
| 3416 52 | MK LAMP KÖGEL,SCHMITZ L+R 52 | 1 |
| 3416 53 | MK LAMP KÖGEL,SCHMITZ L+R 53 | 1 |
| 3416 54 | MK LAMP KÖGEL,SCHMITZ L+R 54 | 1 |



Multi-Chamber Lamp Kögel/Schmitz **ECO**

- With turn signal, brake, tail, rear fog, back-up and side marker lamp
- Not equipped with light bulb

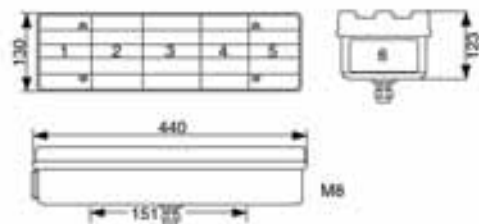


Technical Data

| Article No. | Version | Connection |
|-------------|----------------|-----------------------------|
| 3416N 51 | left | 1.5 m cable with 6-pin plug |
| 3416N 52 | right | 1.5 m cable with 6-pin plug |
| 3416N 53 | left | 6-pin compact plug |
| 3416N 54 | right | 6-pin compact plug |
| 3416N 55 | left | Cable entry rubber grommet |
| 3416N 56 | right | Cable entry rubber grommet |
| 3416N 57 | left and right | |



| Article No. | Article Description | QTY |
|-------------|-------------------------------|-----|
| 3416N 51 | MK LAMP KÖG./SCHM.LEFT ECO 51 | 1 |
| 3416N 52 | MK LAMP KÖG./SCH.RIGHT ECO 52 | 1 |
| 3416N 53 | MK LAMP KÖG./SCH.LEFT ECO 53 | 1 |
| 3416N 54 | MK LAMP KÖG./SCH.RIGHT ECO 54 | 1 |
| 3416N 55 | MK LAMP KÖG./SCH.LEFT ECO 55 | 1 |
| 3416N 56 | MK LAMP KÖG./SCH.RIGHT ECO 56 | 1 |
| 3416N 57 | LENS KÖGEL/SCHMITZ ECO | 1 |



Chamber Lamp, 5-fold

- Universal, Renault, Nissan, DAF
- With turn signal, brake, tail, rear fog, back-up, license-plate, LED side marker lamp, reflector
- Not equipped with light bulb
- Mount: 2 x M8, 152 mm distance



Technical Data

| Article No. | Version / Use | Connection |
|-------------|-------------------------------|--------------|
| 3416 67 | left and right | Compact plug |
| 3416 68 | left with license-plate lamp | Compact plug |
| 3416 69 | right with license-plate lamp | Compact plug |
| 3416 70 | left and right | Cable entry |
| 3416 71 | left with license-plate lamp | Cable entry |
| 3416 72 | right with license-plate lamp | Cable entry |
| 3416 73 | lens left and right | |

| Article No. | Article Description | QTY |
|-------------|----------------------------|-----|
| 3416 67 | MK UNIVERSAL LAMP RI+LE 67 | 1 |
| 3416 68 | MK UNIVERSAL LAMP LEFT 68 | 1 |
| 3416 69 | MK UNIVERSAL LAMP RIGHT 69 | 1 |
| 3416 70 | MK UNIVERSAL LAMP RI+LE 70 | 1 |
| 3416 71 | MK UNIVERSAL LAMP LEFT 71 | 1 |
| 3416 72 | MK UNIVERSAL LAMP RIGHT 72 | 1 |
| 3416 73 | LENS 73 | 1 |

Chamber Lamp, 5-fold **ECO**

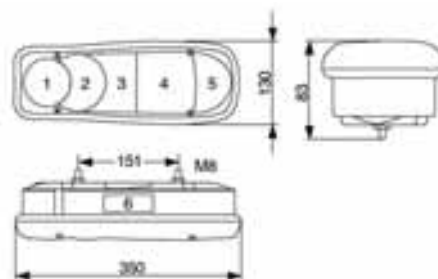
- Universal, Renault, Nissan, DAF
- With turn signal, brake, rear fog, back-up and licens-plate lamp, reflector
- Not equipped with light bulb



Technical Data

| Article No. | Version | Connection |
|-------------|------------------------------|----------------------------|
| 3416N 67 | right | AMP plug |
| 3416N 68 | left with license-plate lamp | AMP plug |
| 3416N 70 | right | Cable entry rubber grommet |
| 3416N 71 | left with license-plate lamp | Cable entry rubber grommet |
| 3416N 73 | left and right | |

| Article No. | Article Description | QTY |
|-------------|--------------------------------|-----|
| 3416N 67 | MK LAMP UNIVERSAL RIGHT ECO | 1 |
| 3416N 68 | MK LAMP UNIVERSAL LEFT-LPL ECO | 1 |
| 3416N 70 | MK LAMP RIGHT ECO | 1 |
| 3416N 71 | MK LAMP LEFT-LPL ECO | 1 |
| 3416N 73 | LENS UNIVERSAL LE+RI ECO | 1 |



Plug and Socket 3-Pole

- Plastic version
- With screw connection

| Article No. | Article Description | VPE |
|--------------|---------------------|-----|
| 3830 12 24 1 | SOCKET 6-24V 3-POLE | 1 |
| 3830 12 24 2 | SOCKET 6-24V 3-POLE | 1 |



Plug and Socket 7-Pole (Type N)

- With screw connection

| Article No. | Article Description | QTY |
|-------------|-------------------------------|-----|
| 3830 24 1 | PLUG ALU N SCREW 7-POLE 24V | 1 |
| 3830 24 2 | SOCKET ALU N SCREW 7-POLE 24V | 1 |
| 3830 24 1 1 | PLUG PLST.N SCREW 7-POLE 24V | 1 |
| 3830 24 2 1 | SOCK.PLST.N SCREW 7-POLE 24V | 1 |



Plug and Socket 7-Pole (Type S)

- With contacts 31 reversed (Type S)
- With screw connection

| Article No. | Article Description | QTY |
|-------------|-------------------------------|-----|
| 3830 24 3 | PLUG ALU S SCREW 7-POLE 24V | 1 |
| 3830 24 4 | SOCKET ALU S SCREW 7-POLE 24V | 1 |
| 3830 24 3 1 | PLUG PLST. S SCREW 7-POLE 24V | 1 |
| 3830 24 4 1 | SOCK.PLST. S SCREW 7-POLE 24V | 1 |



Spiral Cable N/S 7-Core

- Cable: 6 x 1.0 mm² + 1 x 1.5 mm²

| Article No. | Article Description | QTY |
|--------------|--------------------------------|-----|
| 3830 24 24 | SPI.CABLE N-VERS.7-CORE24V3.5M | 1 |
| 3830 24 24 1 | SPI.CABLE S-VERS.7-CORE24V3.5M | 1 |



Spiral Cable 7-Core

- Cable: 7 x 1.5 mm²
- With one plug, 7-pole 24V N and one plug, 7-pole 12V

| Article No. | Article Description | QTY |
|-------------|-------------------------------|-----|
| 3830 24 12 | SPIRAL CABLE 7-CORE24-12V3.5M | 1 |



Plug and Socket 15-Pole

Art. No. 3833 24 11 / 3833 24 12:

- With crimp contact

Art. No. 3833 24 11 1 / 3833 24 12 1:

- With screwed contact

| Article No. | Article Description | QTY |
|--------------|--------------------------------|-----|
| 3833 24 11 | PLUG 24V 15-POLE | 1 |
| 3833 24 12 | SOCKET 24V 15-POLE | 1 |
| 3833 24 11 1 | PLUG 24V 15-POLE SCREW.CONTACT | 1 |
| 3833 24 12 1 | SOCKET 24V 15-POLE SCR.CONTACT | 1 |



Spiral Cable 15-Core

- Cable: 12 x 1.5 mm² + 3 x 2.5 mm²
- With 2 plugs, 15-pole 24V



| Article No. | Article Description | QTY |
|-------------|-------------------------------|-----|
| 3833 24 13 | SPIRAL CABLE 15-CORE 24V 3.5M | 1 |

Spiral Adapter Cable 15 / 2 x 7-Core

- For connecting towing vehicles with 15-pole socket to trailer with S/N socket
 - With plug, 15-pin and one plug each 7-pole S/N
 - 2x cables: 6 x 1.0 mm² + 1 x 2.5 mm²
 - With 9 contacts
- Art. No. 3833 24 25 1:**
- With potted S/N plastic plugs = 100% waterproof



| Article No. | Article Description | QTY |
|--------------|--------------------------------|-----|
| 3833 24 25 | SPIR.ADAP.CABLE15/2X7 24V3.5M | 1 |
| 3833 24 25 1 | AD.SP.CAB.15/2X7PLAST.24V 3.5M | 1 |

Adapter Cable 15-/2x 7-Core

- For connecting towing vehicles with 15-pole sockets and trailers with S/N-plugs
- With one plug 15-pole and one socket each 7-pole S/N
- 2x cables: 6 x 1.0 mm² + 1 x 2.5 mm²
- With 9 contacts



| Article No. | Article Description | QTY |
|-------------|--------------------------------|-----|
| 3833 24 26 | ADAPT.CAB.15/2X7-CORE 24V 0.5M | 1 |

Short Adapter 15-/2x 7-Pole

- Plastic housing Y-shape and straight form (G)
- Adapter from 15-pole to 7-pole N/S
- With 9 contacts



| Article No. | Article Description | QTY |
|--------------|--------------------------------|-----|
| 3833 24 33 | SHORT ADAP,24V 15/2X7-POLE N+S | 1 |
| 3833 24 33 1 | SHORT ADAPT,24V 15/2X7-POLE G | 1 |

Parking Socket

- For holding plug (5, 7, 15-pole) on uncoupled vehicles



| Article No. | Article Description | QTY |
|-------------|--------------------------------|-----|
| 3833 24 3 | PARK.SOCKET F.PLUG 5/7/15-POLE | 1 |

ABS Plug and Socket 5-Pole

- For trailers or semi-trailers with ABS



| Article No. | Article Description | QTY |
|-------------|-----------------------|-----|
| 3833 24 1 | ABS-PLUG 24V 5-POLE | 1 |
| 3833 24 2 | ABS-SOCKET 24V 5-POLE | 1 |

EBS-Plug and Socket 7-Pole

- For trailers and semi-trailers with electronic brake system

Art. No. 3833 24 30 / 3833 24 31:

- With crimp contact

Art. No. 3833 24 30 1 / 3833 24 31 1:

- With screwed contact



| Article No. | Article Description | QTY |
|--------------|--------------------------------|-----|
| 3833 24 30 | EBS-PLUG 24V 7-POLE | 1 |
| 3833 24 30 1 | EBS-PLUG 24V 7-POLE SCR.CONTA. | 1 |
| 3833 24 31 | EBS-SOCKET 24V 7-POLE | 1 |
| 3833 24 31 1 | EBS-SOCK.24V 7-POLE SCR.CONTA. | 1 |

ABS-Spiral Cable 5-Core

- For trailer and semi-trailer with ABS
- Cable 3 x 1.5 mm² + 2 x 4 mm²
- Working length: 3.5 m
- With 2 ABS-plugs, 5-pole 24V



| Article No. | Article Description | QTY |
|-------------|--------------------------------|-----|
| 3833 24 4 | ABS-SPIRAL CABLE W. 2PLUGS 24V | 1 |

EBS-Spiral Cable 7-Core

- For trailers or semi-trailers with electronic brake system
- Cable 5 x 1.5 mm² + 2 x 4 mm²
- Working length: 3.5 m
- With 2 EBS plugs, 7-pole 24 V



| Article No. | Article Description | QTY |
|-------------|--------------------------------|-----|
| 3833 24 32 | EBS SPIRAL CABLE W. 2PLUGS 24V | 1 |

Contact Sleeves

- For 5 and 15-pin plug connectors 24V
- For cables from 1.0 to 6.0 mm²
- Material: German silver

| Article No. | Article Description | QTY |
|-------------|------------------------|------|
| 3833 24 14 | CONTACT SLEEVE 1.0-2.5 | e 10 |
| 3833 24 16 | CONTACT SLEEVE 4.0 | e 10 |
| 3833 24 17 | CONTACT SLEEVE 6.0 | e 10 |



Contact Pins

- For 5 and 15-pin plug connectors 24V
- For cable from 1.0 to 6.0 mm²
- Material: German silver

| Article No. | Article Description | QTY |
|-------------|---------------------|------|
| 3833 24 18 | CONTACT PIN 1.0-2.5 | e 10 |
| 3833 24 20 | CONTACT PIN 4.0 | e 10 |



Removal Tool

- For replacing contact parts on 5 and 15-pin plug connectors 24V

| Article No. | Article Description | QTY |
|-------------|---------------------|-----|
| 3794 815 | PIN-TYPE TOOL 815 | 1 |



Sleeves for Demounting Tool

| Article No. | Article Description | QTY |
|-------------|------------------------------|-----|
| 3794 815 1 | REMOV.SLEEVE F.PIN-TYPET.815 | 1 |
| 3794 815 2 | MOUNT.SLEEVE F.PIN-TYPET.815 | 1 |



Crimping Pliers

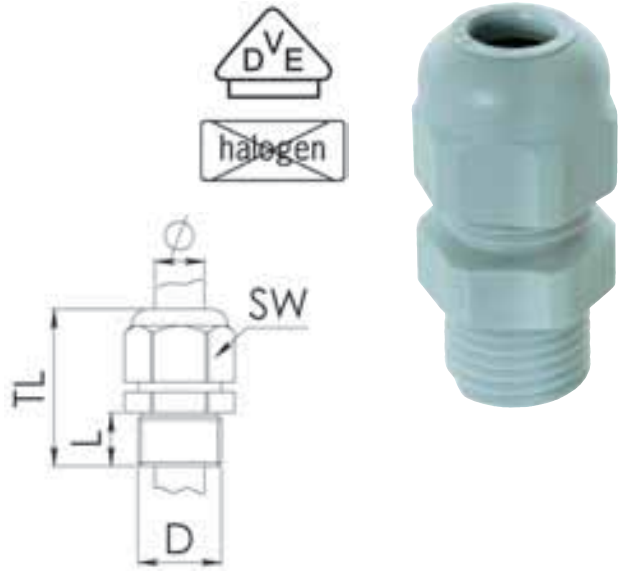
| Article No. | Article Description | QTY |
|-------------|--------------------------------|-----|
| 3790 2 | CRIMP TOOL FOR UN_INSUL.CNCTR. | 1 |



Cable Connection PG

PG threaded cable connection made of polyamide with strain relief

- Optimum sealing and strain relief due to patented lamellar system
- Colour: light grey, RAL 7035
- **Protective class according to EN 60 529:**
IP 68 to 5 bar (30 min); PG 7 - 29 with integrated sealing lip
PG 36 - 48 with sealing ring
- **Nonflammability:** heating wire 750° C according to EN 60695-2-11
- **Application temperature:** -20°C to +80°C, short-term up to approx. +120°C
- **Material:** polyamide with EPDM-sealing
- **Chemical resistance:** acetone, fuel, benzene, diesel oil, greases, oils, solvents for colour and paints
- **Risk of stress crack:** low
- **Application fields:**
 - Construction of car bodies, machines, plants etc.
 - Measuring and controlling construction
 - Buildings



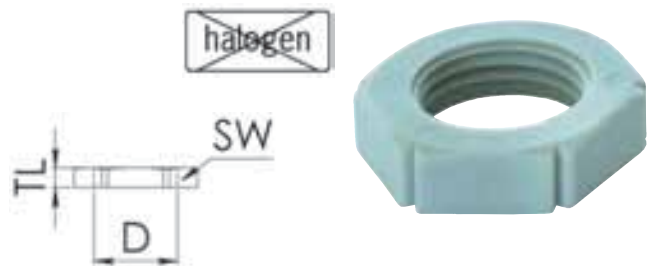
| Article No. | Article Description | QTY |
|---------------|--------------------------|-----|
| 8448 1 1 07 | CABLE CONNECTION PG 7 | 100 |
| 8448 1 1 09 | CABLE CONNECTION PG 9 | 50 |
| 8448 1 1 11 | CABLE CONNECTION PG 11 | 50 |
| 8448 1 1 13 5 | CABLE CONNECTION PG 13.5 | 50 |
| 8448 1 1 16 | CABLE CONNECTION PG 16 | 50 |
| 8448 1 1 21 | CABLE CONNECTION PG 21 | 25 |
| 8448 1 1 29 | CABLE CONNECTION PG 29 | 25 |
| 8448 1 1 36 | CABLE CONNECTION PG 36 | 10 |
| 8448 1 1 42 | CABLE CONNECTION PG 42 | 10 |
| 8448 1 1 48 | CABLE CONNECTION PG 48 | 10 |

| Technical Data | | | | |
|----------------|------|---------|-------|---------|
| D | L mm | Ø mm | SW mm | TL mm |
| PG 7 | 9 | 3 - 6 | 15 | 28 - 32 |
| PG 9 | 9 | 4 - 8 | 19 | 32 - 36 |
| PG 11 | 9 | 5 - 10 | 22 | 33 - 39 |
| PG 13.5 | 10 | 6 - 12 | 24 | 35 - 41 |
| PG 16 | 11 | 8 - 14 | 27 | 38 - 44 |
| PG 21 | 11 | 10 - 18 | 33 | 43 - 50 |
| PG 29 | 12 | 16 - 25 | 42 | 47 - 56 |
| PG 36 | 14 | 22 - 32 | 53 | 56 - 65 |
| PG 42 | 14 | 28 - 38 | 60 | 58 - 67 |
| PG 48 | 15 | 36 - 44 | 65 | 60 - 68 |

Counternut PG

PG threaded counternut made of polyamide, glass fibre reinforced

- Colour: light grey, RAL 7035
- **Application temperature:** -20°C to +60°C, short-term up to approx. +80°C
- **Material:** polyamide, glass fibre reinforced
- **Chemical resistance:** acetone, fuel, benzene, greased, oils, solvents for colours and paints
- **Risk of stress crack:** low



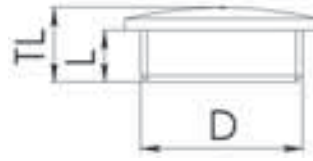
| Article No. | Article Description | QTY |
|---------------|---------------------|-----|
| 8448 2 1 07 | COUNTERNUT PG 7 | 100 |
| 8448 2 1 09 | COUNTERNUT PG 9 | 50 |
| 8448 2 1 11 | COUNTERNUT PG 11 | 50 |
| 8448 2 1 13 5 | COUNTERNUT PG 13.5 | 50 |
| 8448 2 1 16 | COUNTERNUT PG 16 | 50 |
| 8448 2 1 21 | COUNTERNUT PG 21 | 50 |
| 8448 2 1 29 | COUNTERNUT PG 29 | 50 |
| 8448 2 1 36 | COUNTERNUT PG 36 | 50 |
| 8448 2 1 42 | COUNTERNUT PG 42 | 25 |
| 8448 2 1 48 | COUNTERNUT PG 48 | 25 |

| Technical Data | | |
|----------------|-------|-------|
| D | SW mm | TL mm |
| PG 7 | 19 | 5 |
| PG 9 | 22 | 5 |
| PG 11 | 24 | 5 |
| PG 13.5 | 27 | 6 |
| PG 16 | 30 | 6 |
| PG 21 | 36 | 7 |
| PG 29 | 46 | 7 |
| PG 36 | 60 | 8 |
| PG 42 | 73 | 8 |
| PG 48 | 78 | 8 |

Screw Plugs PG

PG threaded screw plugs made of impact-resistant polystyrene

- For safe locking of threads or through holes that are not in use
- Colour: light grey, RAL 7035
- **Protective class according to EN 60 529:**
IP 56, when assembly with sealing ring IP 68
- **Application temperature:** -20°C to +60°C, short-term up to approx. +80°C
- **Material:** impact-resistant polystyrene
- **Chemical resistance:** alkalis, alcohol, most acids
- **Risk of stress crack:** relatively high
- **Note:** The use of products made of polystyrene can cause stress cracks in the exterior area!



| Article No. | Article Description | QTY |
|---------------|---------------------|-----|
| 8448 5 1 07 | SCREW PLUG PG 7 | 100 |
| 8448 5 1 09 | SCREW PLUG PG 9 | 50 |
| 8448 5 1 11 | SCREW PLUG PG 11 | 50 |
| 8448 5 1 13 5 | SCREW PLUG PG 13.5 | 50 |
| 8448 5 1 16 | SCREW PLUG PG 16 | 50 |
| 8448 5 1 21 | SCREW PLUG PG 21 | 50 |
| 8448 5 1 29 | SCREW PLUG PG 29 | 50 |
| 8448 5 1 36 | SCREW PLUG PG 36 | 50 |
| 8448 5 1 42 | SCREW PLUG PG 42 | 25 |
| 8448 5 1 48 | SCREW PLUG PG 48 | 25 |

| Technical Data | | |
|----------------|------|-------|
| D | L mm | TL mm |
| PG 7 | 6 | 8 |
| PG 9 | 6 | 9 |
| PG 11 | 6 | 9 |
| PG 13.5 | 6 | 9,5 |
| PG 16 | 6 | 9,5 |
| PG 21 | 8 | 11 |
| PG 29 | 8 | 12 |
| PG 36 | 10 | 15 |
| PG 42 | 10 | 16 |
| PG 48 | 12 | 16 |

Sealing Rings PG

O-ring for PG screw plugs

- For additional sealing of connections and screwings
- **Application temperature:** -40°C to +120°C
- **Material:** EPDM rubber (ethylene propylene diene rubber)
- **Chemical resistance:** alcohol, ketone, hot steaming, brake fluids, washing agent, natron, silicone oil, grease and many organical and inorganic acids



| Article No. | Article Description | QTY |
|---------------|----------------------|-----|
| 8448 6 1 07 | SEALING RING PG 7 | 100 |
| 8448 6 1 09 | SEALING RING PG 9 | 50 |
| 8448 6 1 11 | SEALING RING PG 11 | 50 |
| 8448 6 1 13 5 | SEALING RING PG 13.5 | 50 |
| 8448 6 1 16 | SEALING RING PG 16 | 50 |
| 8448 6 1 21 | SEALING RING PG 21 | 50 |
| 8448 6 1 29 | SEALING RING PG 29 | 50 |
| 8448 6 1 36 | SEALING RING PG 36 | 50 |
| 8448 6 1 42 | SEALING RING PG 42 | 25 |
| 8448 6 1 48 | SEALING RING PG 48 | 25 |

| Technical Data | | |
|----------------|------|------|
| D | Ø mm | S mm |
| PG 7 | 9 | 1.5 |
| PG 9 | 14 | 1.5 |
| PG 11 | 17 | 1.5 |
| PG 13.5 | 19 | 1.5 |
| PG 16 | 21 | 1.5 |
| PG 21 | 27 | 2.0 |
| PG 29 | 36 | 2.5 |
| PG 36 | 45 | 3 |
| PG 42 | 52 | 3 |
| PG 48 | 58 | 3 |

Night-time Parking - Warning Sign, Folding

- Type approval in compliance with § 22a StVZO
- 8 reflectors for maximum reflection
- Dimensions: 285 x 285 mm
- Front use: pointing right
- Back use: pointing left

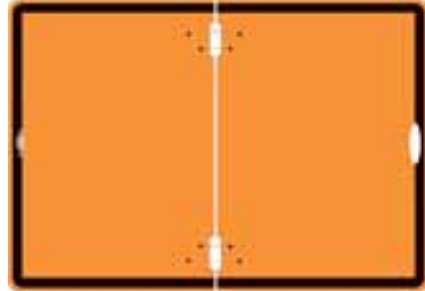
| Article No. | Article Description | QTY |
|-------------|----------------------------|-----|
| 3430 45 | NIGHT PARK.WARN.SIGN-FRONT | 1 |
| 3430 46 | NIGHT PARK.WARN.SIGN-BACK | 1 |



Hazardous Goods - Warning Sign, Folding

- With edge protector
- Orange reflective
- Dimensions: 400 x 300 mm

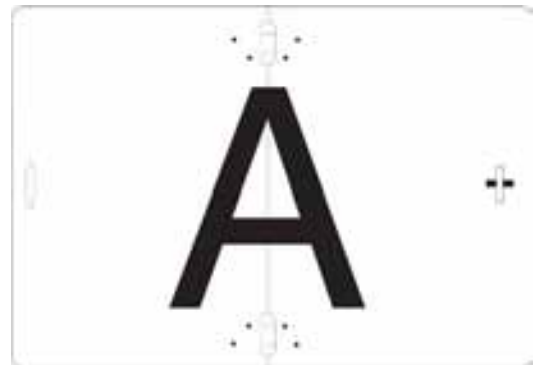
| Article No. | Article Description | QTY |
|-------------|--------------------------------|-----|
| 3430 13 | HAZARDOUS GOODS - WARNING SIGN | 1 |



Waste Warning Sign, Folding

- With edge protector
- White reflective
- Dimensions: 400 x 300 mm

| Article No. | Article Description | QTY |
|-------------|---------------------|-----|
| 3430 53 | WASTE- WARNING SIGN | 1 |



TIR Information Sign

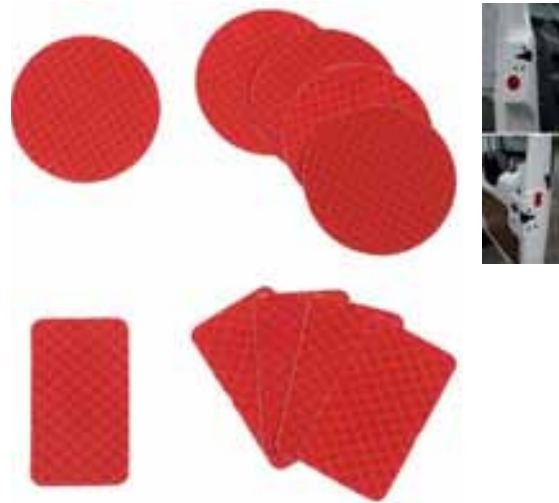
- TIR = Transports Internationaux Routiers
- Folding version
- Dimensions WxH: 400 x 250 mm

| Article No. | Article Description | QTY |
|-------------|---------------------------|-----|
| 3430 14 | FOLDING TIR APPROVAL SIGN | 1 |



Red Reflectors

- Round and rectangular version
- For marking doors and frames
- Reflectors for cargo platforms



| Article No. | Article Description | QTY |
|-------------|--------------------------------|-----|
| 3430 19 1 | REFLECTOR SELF-ADHES.ROUND RED | 6 |
| 3430 19 2 | REFLECTOR SELF-ADHES.RECT. RED | 6 |

Rear Marker Signs for Trailers and Semi-trailers

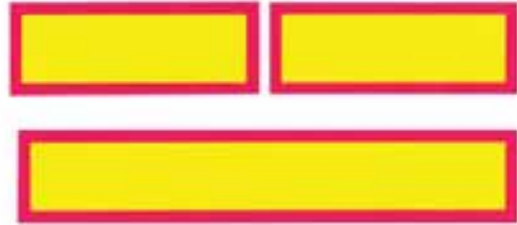
- Comply with ECE Reg.No. 70
- Yellow reflective with red fluorescent edge

Art. No. 3430 42:

- Dimensions 200 x 565 mm

Art. No. 3430 44:

- Dimensions 200 x 1130 mm



| Article No. | Article Description | QTY |
|-------------|--------------------------------|-----|
| 3430 42 | SET(2PC)REAR MARK.TRAIL./S.TR. | 1 |
| 3430 44 | REAR MARK.TR./S.TR.1130X200MM | 1 |

Rear Marker Signs for Trucks/Towing Vehicles

- Comply with ECE Reg. No.70
- Yellow / red reflective

Art. No. 3430 40:

- Dimensions 140 x 565 mm

Art. No. 3430 43:

- Dimensions 140 x 1130 mm



| Article No. | Article Description | QTY |
|-------------|--------------------------------|-----|
| 3430 40 | SET(2P)REAR MARK.TRUCK/T.VEHI. | 1 |
| 3430 43 | REAR MA.TRUCK/T.VEH.1130X140MM | 1 |

Special Signs S/G/L

- PVC FOIL
- Dimensions: dia. 200 mm

Art. No. 3430 50 1:

- S for marking low pollution vehicle in compliance with EURO 2 Standard for use in international traffic

Art. No. 3430 50 2:

- G for marking low noise vehicle

Art. No. 3430 50 3:

- L for marking low noise vehicle, indicating not subject to night-time operating prohibition existing on certain freeways in Austria (with engine noise measured driving downhill), Austria does not recognize G



| Article No. | Article Description | QTY |
|-------------|-------------------------------|------|
| 3430 50 1 | SPECIAL SIGN S PVC FOIL 200MM | 1 |
| 3430 50 2 | SPECIAL SIGN G PVC FOIL 200MM | 1 |
| 3430 50 3 | SPECIAL SIGN L PVC FOIL 200MM | e 12 |

Speed Stickers, reflecting

- Reflecting stickers
- Indicate maximum speed reliably
- Suitable for buses, trucks and semi-trailer trucks
- Reflecting foil in compliance with DIN 75069 makes vehicle easier to recognize day and night
- Dimensions: Dia. 200 mm



| Article No. | Article Description | QTY |
|-------------|-----------------------|-----|
| 3430 10 15 | SPEED STICKER 15KM/H | 1 |
| 3430 10 40 | SPEED STICKER 40KM/H | 1 |
| 3430 10 60 | SPEED STICKER 60KM/H | 1 |
| 3430 10 70 | SPEED STICKER 70KM/H | 1 |
| 3430 10 80 | SPEED STICKER 80KM/H | 1 |
| 3430 10 100 | SPEED STICKER 100KM/H | 1 |

Speed Stickers

- PVC FOIL
- Indicate maximum speed reliably
- Suitable for agricultural machines, trailers, throttled cars, etc.
- Dimensions: Dia. 200 mm



| Article No. | Article Description | QTY |
|-------------|----------------------------|-----|
| 3430 30 16 | STICKER BLACK/WHITE.16KM/H | 1 |
| 3430 30 20 | STICKER BLACK/WHITE.20KM/H | 1 |
| 3430 30 25 | STICKER BLACK/WHITE.25KM/H | 1 |
| 3430 30 40 | STICKER BLACK/WHITE.40KM/H | 1 |
| 3430 30 50 | STICKER BLACK/WHITE.50KM/H | 1 |
| 3430 30 60 | STICKER BLACK/WHITE.60KM/H | 1 |
| 3430 30 70 | STICKER BLACK/WHITE.70KM/H | 1 |
| 3430 30 80 | STICKER BLACK/WHITE.80KM/H | 1 |
| 3430 30 100 | STICKER BLACK/WHITE.100KMH | 1 |

Stop Block

- PVC, yellow, complies with DIN 76051-53
- Dimensions WxH: 495 x 200 mm



| Article No. | Article Description | QTY |
|-------------|-----------------------|-----|
| 4984 60 | PVC STOP BLOCK | 1 |
| 4984 60 1 | HOLDER FOR STOP BLOCK | 1 |

Flasher Lamps for Loading Platform

Art. No. 3415 8

- Incl. 2 bulbs 24V 5W
- Easy to change bulbs for 12 and 24V
- Replacement bulb 12V: Art. No. 3801 1621
- Replacement bulb 24V: Art. No. 3801 1622

Art. No. 3415 8 1

- For 24V vehicles
- With 12 LEDs
- Service life of LEDs: at least 10.000 hours



| Article No. | Article Description | QTY |
|-------------|-------------------------------|-----|
| 3415 8 | FLASH.LAMP F.LOADING PLATFORM | 1 |
| 3415 8 1 | 24V FLASH.LAMP LOAD.PLATF.LED | 1 |

Flasher Lamps for LED Loading Platforms

- Suitable for 12 and 24 V
- 2 Power LED, latest LED technology
- With cable 2x 0.75 mm², 20 cm length
- Compatible to all LED loading platform lamps on the market such as Hella, Cargo Flash and MBB by two oblong holes

| Article No. | Article Description | QTY |
|-------------|-------------------------------|-----|
| 3415 8 2 | LED FLASH.F.LOAD.PLATF.12-24V | 1 |



LED Flasher Lamps EU for Loading Platforms

- Suitable for 12 and 24 V
- 2 Power LED, latest LED technology
- With cable 2x 0.75 mm², 20 cm length
- More safety due to flashing light at the side and at the back
- LED in 90° angle in order to mount the lamp at the right and left side

| Article No. | Article Description | QTY |
|-------------|--------------------------------|-----|
| 3415 8 3 | LED FLASH.F.LOAD.PLAT.EU12-24V | 1 |



LED Warning Lamp

- TÜV and GGVS tested and approved
- It is regulated by law to have a LED warning lamp for vehicles with more than 2.8 t
- Also ideal for glove compartment due to small size
- Flasher light or continuous light as well as battery tester
- **Operating time:**
 - Flash light: ≥ 150 hrs
 - Continuous light: ≥ 5 hrs
- Dimension LxWxD: 208 x 90 x 30 mm
- Power supply: 2 batteries Art. No. 3880 15 (not included in delivery)

| Article No. | Article Description | QTY |
|-------------|---------------------|-----|
| 3415 1 1 1 | LED WARNING LAMP | 1 |



Hazard Warning Lamp

- Required by law for vehicles over 2.8t
- TÜV tested and approved
- Complies with GGVS, with work light
- Power supply: 5 batteries Art. No.3880 15 not included
- Available In plastic box for attachment to vehicle

| Article No. | Article Description | QTY |
|-------------|--------------------------------|-----|
| 3415 1 | HAZARD WARNING LAMP | 1 |
| 3415 2 | HAZARD WARN.LAMP IN PLAST.BOX | 1 |
| 3415 3 | BULB 6V 2,4W F.HAZA. WARN.LAMP | 1 |
| 3415 4 | HALO.BULB 6V 2,4W F.HAZ.W.LAMP | 1 |



Warning Flags for Hoisting Loading Platforms

- Quick-change mount for easy replacement
- Dimensions: 250 x 400 mm

| Article No. | Article Description | QTY |
|-------------|--------------------------------|-----|
| 3415 5 | WARN FLAG LEFT F.LOAD.PLATFORM | 1 |
| 3415 6 | WARN FLAG RIGHT F.LOAD.PLATFO. | 1 |



Quick-Change Mount

- For attaching warning flags to loading platform
- 2 holes dia. 6.3 mm, hole interval 200 mm
- For use on left and right

| Article No. | Article Description | QTY |
|-------------|---------------------|-----|
| 3415 7 | QUICK-CHANGE MOUNT | 1 |

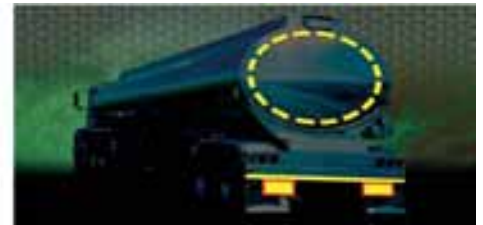


Reflecting Marking Tape ECE 104

- For marking contour of vehicles
- Can be used without special approval on vehicles with total weight of 3.5t and length of 6 according to ECE 104
- Very thin, single-layer tape is resistant to mechanical damage, petrol and cleaning agents Also suitable for high pressure cleaning
- Can also be applied around edges without problems
- Micro-prism technology provides reflection capacity far beyond required minimum, even when wet.
- Improves the image of company Approx. 100 m are required for one complete vehicle including trailer
- The contour markings for tarpaulins are also equipped with a very strong adhesive, heat-p with hot air gun not required
- In Germany, use of the red contour marking is permissible only on fenced company grounds



Vehicles with a reflective contour marking are noticed decisively seconds earlier from other road users. Thereby a risk of accidents can be much reduced. Vehicles which are equipped with such articles contribute to safer driving.



| Article No. | Article Description | QTY |
|-------------|--------------------------------|-----|
| 3415 30 | RO(50M)CONT.MARK.ECE104 WHITE | 1 |
| 3415 32 | RO(50M)CONT.MARK.ECE104YELLOW | 1 |
| 3415 40 | RO(50M)CONTOUR MARK.ECE104 RED | 1 |
| 3415 32 1 | RO(50M)C.MARK.TARP.ECE104YELL | 1 |
| 3415 31 | RO(12.5M)CONT.MARK.ECE104 WHIT | 1 |
| 3415 33 | RO(12.5M)CONT.MARK.ECE104YELL | 1 |
| 3415 41 | RO(12.5M)CONT.MARK.ECE104 RED | 1 |
| 3415 35 | C(60M)CONT.STICKER ECE104YELL | 1 |

| Technical Data | | | | |
|----------------|--------|---------------------------|---------|-------|
| Art. No. | Colour | Application | Length | Width |
| 3415 30 | white | | | |
| 3415 32 | yellow | superstructures | 50.0 m | 50 mm |
| 3415 40 | red | | | |
| 3415 32 1 | yellow | tarpaulings | 50.0 m | |
| 3415 31 | white | superstructures | | 50 mm |
| 3415 33 | yellow | (set for truck-rear side) | 12.5 m | |
| 3415 41 | red | (set for tank-rear side) | | |
| 3415 35 | yellow | (set for tank-rear side) | à 16 cm | |

*= in Germany, only allowed for locked up company grounds!

Automotive Warning Tape

- Complies with DIN 30710
- For vehicles with special rights Complies with § 35.6 StVO, such as construction, wastage, winter service, harvester, measuring and maintenance vehicles
- Reflection performance beyond the required minimum performance, also in wet condition
- Maximum safety for persons and vehicles
- Resistant against petrol and cleaning agents, also suitable for high pressure cleaning
- For a standard marking left/right wise material is necessary
- Standard Dimensions: 141 mm x 9m



| Article No. | Article Description | QTY |
|--------------|--------------------------------|-----|
| 3415 9 141 | WARN.TAPE SET RI/LE2X9MX141MM1 | 1 |
| 3415 9 141 1 | WARN.TAPE LEFT E9MX141MM | e 2 |
| 3415 9 141 2 | WARN.TAPE RIGHT E9MX141MM | e 2 |

Container Warning Tape

- For marking of containers and interchangeable tanks in compliance with DIN 67520 Part 2
- Self-adhesive, high reflexive foil, 4 pieces each slanting to left/right (141 x 705 mm)



| Article No. | Article Description | QTY |
|-------------|----------------------------|-----|
| 3415 15 | CONTAINER WARNING TAPE SET | 1 |

Safety Equipment for Commercial Vehicles 1

- Complies with law governing road transport of hazardous goods (GGVS)
- Case size WxHxD: 230 x 220 x 75 mm

| Article No. | Article Description | QTY |
|-------------|-----------------------------|-----|
| 3415 11 | SAFETY EQUIPMENT 1 ACC.GGVS | 1 |

Contents:

Tight-fitting protective goggles, gloves (PVC with cotton jersey lining), eye wash bottle with aseptic filling



Safety Equipment for Commercial Vehicles 2

- Complies with law governing road transport of hazardous goods (GGVS)
- Case size WxHxD: 350 x 285 x 120 mm

| Article No. | Article Description | QTY |
|-------------|------------------------------|-----|
| 3415 12 | SAFETY EQUIPMENT 2 ACC. GGVS | 1 |

Contents:

Tight-fitting protective goggles, gloves (PVC with cotton jersey lining), eye wash bottle with aseptic filling, light protective clothing (coat), overshoes



Safety Equipment for Commercial Vehicles 3

- Complies with law governing road transport of hazardous goods (GGVS)
- Case size WxHxD: 430 x 330 x 170 mm

| Article No. | Article Description | QTY |
|-------------|------------------------------|-----|
| 3415 13 | SAFETY EQUIPMENT 3 ACC. GGVS | 1 |

Contents:

Sealed protective goggles, gloves (PVC tricot padded), eye spray flask with aseptic filling, light protective clothing (coat), boots for covering, Panorama full protective mask, combi filter DIN 3183 A2, B2, E2, K2; Hg, P3



Safety Equipment for Commercial Vehicles 4

- Complies with law governing road transport of hazardous goods (GGVS)
- Case size WxHxD: 430 x 330 x 170 mm

| Article No. | Article Description | QTY |
|-------------|-----------------------------|-----|
| 3415 14 | SAFETY EQUIPMENT 4 ACC.GGVS | 1 |

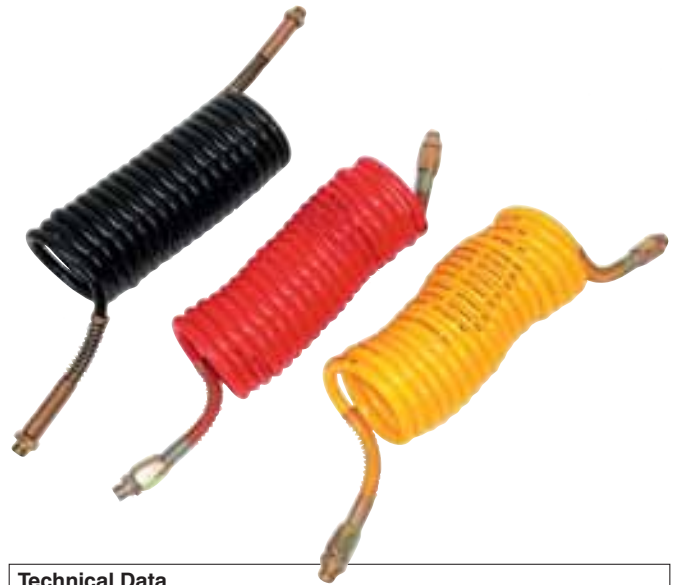
Contents:

Tight-fitting protective goggles, gloves (PVC with cotton jersey lining), eye wash bottle with aseptic filling, protective clothing with hood (overalls), overshoes, Full face mask with panorama view, combi filter, DIN 3183A2, B2, E2, K2, Hg, P3, first aid kit in compliance with DIN 13164, rescue blanket 2200 x 1600 mm



PA Spiral Hose

- With kink protection spring
- **Caution:** PA spiral hoses are equipped with M16x 1.5 adapters (2x). If other adapters are required, order separately.



| Article No. | Article Description | QTY |
|-------------|--------------------------------|-----|
| 3420 10 | SPI.HOSEYELL.PAM16X1.519WIN | 1 |
| 3420 20 | SPI R. HOSE RED PA M16X1.5 19W | 1 |
| 3420 30 | SP.HOSE BLACK PA M16X1.5 19WIN | 1 |

| Technical Data | | | | |
|----------------|------------|-------|------------------|--------------|
| Art. No. | Thread | Coils | Effective length | Total length |
| 3420 10 | M 16 x 1.5 | 19 | 3.66 m | 4.20 m |
| 3420 20 | M 16 x 1.5 | 19 | 3.66 m | 4.20 m |
| 3420 30 | M 16 x 1.5 | 19 | 3.66 m | 4.20 m |

PU Spiral Hoses

- Double-walled spiral hose made of polyamide with polyurethane-covering, referring to DIN 74323 and DIN 73378
- Pressure resistance is guaranteed due to double-wall
- High-tensile elasticity and flexibility, also at low temperatures (-40°C)
- Abrasion and break resistant
- Resistant to UV, oil and fuel
- With weather resistant plastic-buckling safety and plastic holding eyelet
- **Caution:** PU spiral hoses are equipped with M 16 x 1.5 adapter (2x). Other adapters must be ordered separately.



| Article No. | Article Description | QTY |
|-------------|--------------------------------|-----|
| 3420 60 | PU SPIR.HOSE YEL.M16X1.5 26WIN | 1 |
| 3420 61 | PU SPIR.HOSE RED M16X1.5 26WIN | 1 |
| 3420 62 | DUO SPIR.HOSE YEL/RED M16X1.5K | 1 |
| 3420 63 | DUO SPIR.HOSE YEL/RED M16X1.5L | 1 |

| Technical Data | | | |
|----------------|------------|-------|------------------|
| Art. No. | Thread | Coils | Effective length |
| 3420 60 | M 16 x 1.5 | 26 | 4.50 m |
| 3420 61 | M 16 x 1.5 | 26 | 4.50 m |
| 3420 62 | M 16 x 1.5 | 24 | 4.80 m |
| 3420 63 | M 16 x 1.5 | 26 | 5.50 m |

Extension Sleeves

- For air coils and coupling head with thread M 16 x 1.5
- Safe use due to ergonomic formed handle
- Suitable for air coils with steel or plastic bend protection

| Article No. | Article Description | QTY |
|-------------|-----------------------|-----|
| 3420 75 | EXTENSION SLEEVES SET | 1 |

Included in delivery:
1x red, 1x yellow



Adaptor for Spiral Hoses

- 2 adaptors are required for each spiral hose

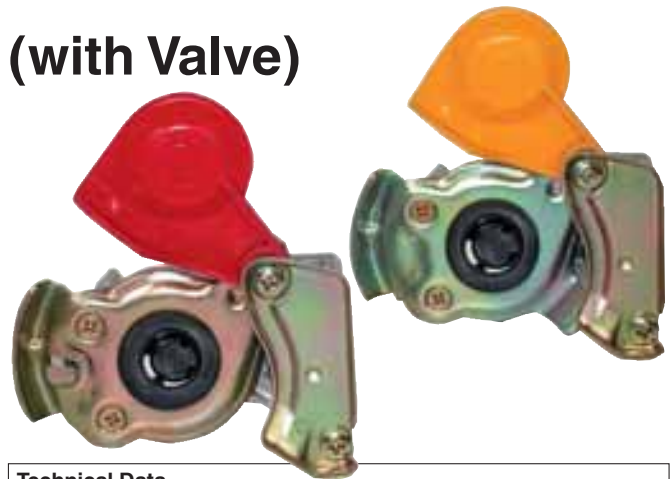
| Technical Data | | |
|---------------------|--------------------------------|--------------------------------|
| | Adapter. | Art. No. |
| Mercedes-Benz / DAF | M18 nut | - |
| | M18 nut with sea- ling cone | Attached to hose 3420 18 16 |
| MAN | M16 x 1.5 | 3420 18 16 1 |
| | M16 x 1.5 (34 mm) | 3420 18 18 1 |
| Scania / Iveco | M18 x 1.5 (34 mm) | 3420 18 16 |
| | M16 x 1.5 | 3420 18 18 1 |
| Volvo | M18 x 1.5 (34 mm) | 3420 18 16 |
| | M16 x 1.5 | 3420 18 16 |
| Renault | M16 x 1.5 | 3420 18 16 1 |
| | M16 x 1.5 (34 mm) | 3420 18 16 |
| | M16 x 1.5 | |

| Article No. | Article Description | QTY |
|--------------|-------------------------------|-----|
| 3420 18 16 | ADAPTER M18X1.5/M 16X1.5 | 1 |
| 3420 18 16 1 | ADAPTER M18X1.5/M 16X1.5 LONG | 1 |
| 3420 18 18 1 | ADAPTER M18X1.5/M 18X1.5 LONG | 1 |
| 3420 18 22 | ADAPTER M18X1.5/M22X1.5 | 1 |



Automatic Coupling Heads (with Valve)

- Suitable for tractors
- When coupled, the valve opens allowing air to flow



| Article No. | Article Description | QTY |
|-------------|-------------------------------|-----|
| 3420 102 | COUPL.HEADYELL.AUTOM.M16X1.5 | 1 |
| 3420 103 | COUPL.HEAD YELL.AUTOM.M22X1.5 | 1 |
| 3420 202 | COUPL.HEAD RED AUTOM.M16X1.5 | 1 |
| 3420 203 | COUPL.HEAD RED AUTOM.M22X1.5 | 1 |

| Technical Data | | | |
|----------------|--------------|------------|----------------------|
| Art. No. | Version | Thread | Wabco Comparison no. |
| 3420 102 | Brake yellow | M 16 x 1.5 | 952 200 2220 |
| 3420 103 | Brake yellow | M 22 x 1.5 | 452 200 2120 |
| 3420 202 | Stock red | M 16 x 1.5 | 952 200 2210 |
| 3420 203 | Stock red | M 22 x 1.5 | 452 200 2110 |

Standard Coupling Heads

- Suitable for trailers
- After uncoupling air streams out and the trailer brake locks
- Defective rubber seal can be replaced



| Article No. | Article Description | QTY |
|-------------|--------------------------------|-----|
| 3420 100 | COUPL.HEAD YELL.STAND.M16X1.5 | 1 |
| 3420 101 | COUPL.HEAD YELL.STAND.M22X1.5 | 1 |
| 3420 200 | COUPL.HEAD YELL.STAND.M22X1.5 | 1 |
| 3420 201 | COUPL.HEAD RED STAND.M22X1.5 | 1 |
| 3420 4 | REPLACE.SEAL.COUPL.HEAD STAND. | 25 |

| Technical Data | | | |
|----------------|--------------|------------|----------------------|
| Art. No. | Version | Thread | Wabco Comparison no. |
| 3420 100 | Brake yellow | M 16 x 1.5 | 952 200 0220 |
| 3420 101 | Brake yellow | M 22 x 1.5 | 452 200 0120 |
| 3420 200 | Stock red | M 16 x 1.5 | 952 200 0210 |
| 3420 201 | Stock red | M 22 x 1.5 | 452 200 0110 |

Gate Valve

- Can be turned 180° for installation on either side
- Connection thread: M 22 x 1.5



| Article No. | Article Description | QTY |
|-------------|---------------------|-----|
| 3420 3 | GATE VALVE | 1 |

Line Filter

- For cleaning compressed air in trailer circuit
- Connection thread: M 22 x 1.5



| Article No. | Article Description | QTY |
|-------------|---------------------|-----|
| 3420 1 | LINE FILTER | 1 |

Water Drain Valve

- Material: brass
- Thread: M 22 x 1.5



| Article No. | Article Description | QTY |
|-------------|---------------------|------|
| 3421 1 | WATER DRAIN VALVE | e 10 |

Plastic Plug Connectors for Compressed Air

- For connecting plastic pipes to accessories such as pneumatic driver's seat, door locks on buses, etc.
- Temperature range: -25°C to +75°C
- Operating pressure: up to 15 bars
- Material: Housing - polyoxymethylene, collet - stainless steel, O-rings - nitrile rubber

Plastic Plug Connectors for Compressed Air

| Article No. | Article Description | QTY |
|-------------|--------------------------------|-----|
| 3422 04 11 | PLUG CNCTR.STRAIGHT PLASTIC4MM | 10 |
| 3422 05 11 | PLUG CNCTR.STRAIGHT PLAST.5MM | 10 |
| 3422 06 11 | PLUG CNCTR.STRAIGHT PLAST.6MM | 10 |
| 3422 08 11 | PLUG CNCTR.STRAIGHT PLAST.8MM | 10 |
| 3422 10 11 | PLUG CNCTR.STRAIGHT PLAST.10MM | 10 |
| 3422 12 11 | PLUG CNCTR.STRAIGHT PLAST.12MM | 10 |
| 3931 9153 | PLUG CNCTR.STRAIGHT PLAST.15MM | 1 |

(outside pipe - Ø mm)



Plastic Reducing Plug Connector, Straight

| Article No. | Article Description | QTY |
|-------------|--------------------------------|-----|
| 3422 06 04 | REDUCE.CTR.STRAIGHT PLAST.6-4 | 10 |
| 3422 08 06 | REDUCE.CTR.STRAIGHT PLAST.8-6 | 10 |
| 3422 10 08 | REDUCE.CTR.STRAIGHT PLAST.10-8 | 10 |
| 3422 12 10 | REDUCE.CTR.STRAIGHT PLAS.12-10 | 10 |

(outside pipe - Ø mm)



Plastic - Plug Connector Angle 90°

| Article No. | Article Description | QTY |
|-------------|-------------------------------|-----|
| 3422 04 21 | PLUG CNCTR.ANGLE PLASTIC 4MM | 10 |
| 3422 05 21 | PLUG CNCTR.ANGLE PLASTIC 5MM | 10 |
| 3422 06 21 | PLUG CNCTR.ANGLE PLASTIC 6MM | 10 |
| 3422 08 21 | PLUG CNCTR.ANGLE PLASTIC 8MM | 10 |
| 3422 10 21 | PLUG CNCTR.ANGLE PLASTIC 10MM | 10 |
| 3422 12 21 | PLUG CNCTR.ANGLE PLASTIC 12MM | 10 |

(outside pipe - Ø mm)



Plastic - Plug Connector T-Form

| Article No. | Article Description | QTY |
|-------------|--------------------------------|-----|
| 3422 04 31 | PLUG CNCTR.T-FORM PLASTIC 4MM | 10 |
| 3422 05 31 | PLUG CNCTR.T-SHAPE PLASTIC 4MM | 10 |
| 3422 06 31 | PLUG CNCTR.T-SHAPE PLASTIC 5MM | 10 |
| 3422 08 31 | PLUG CNCTR.T-SHAPE PLASTIC 8MM | 10 |
| 3422 10 31 | PLUG CNCTR.T-SHAPE PLASTIC10MM | 10 |
| 3422 12 31 | PLUG CNCTR.T-SHAPE PLASTIC12MM | 10 |

(outside pipe - Ø mm)



Polyamide Tubing

- DIN 74324/ 73378, 25 m ring

| Article No. | Article Description | QTY |
|-------------|-------------------------------|-----|
| 3423 4 10 | RO(25M) POLYAMIDETUBE 4X1.0MM | 1 |
| 3423 5 10 | RO(25M) POLYAMIDETUBE 5X1.0MM | 1 |
| 3423 6 10 | RO(25M) POLYAMIDETUBE 6X1.0MM | 1 |
| 3423 8 10 | RO(25M) POLYAMIDETUBE 8X1.0MM | 1 |
| 3423 9 15 | RO(25M) POLYAMIDETUBE 6X1.0MM | 1 |
| 3423 10 10 | RO(25M) POLYAM.TUBE 10X1.0MM | 1 |
| 3423 11 15 | RO(25M) POLYAM.TUBE 11X1.5MM | 1 |
| 3423 12 15 | RO(25M) POLYAM.TUBE 12X1.5MM | 1 |
| 3423 15 15 | RO(25M) POLYAM.TUBE 12X1.5MM | 1 |



| Technical Data | | | | |
|----------------|-----------|------------|----------------|------------------------|
| Art. No. | Outside Ø | Thickness. | Bending radius | Working/Burst pressure |
| 3423 4 10 | 4 mm | 1.0 mm | 25 mm | 45 / 135 bar |
| 3423 5 10 | 5 mm | 1.0 mm | 30 mm | 34 / 102 bar |
| 3423 6 10 | 6 mm | 1.0 mm | 35 mm | 27 / 81 bar |
| 3423 8 10 | 8 mm | 1.0 mm | 55 mm | 19 / 57 bar |
| 3423 9 15 | 9 mm | 1.5 mm | 55 mm | 27 / 81 bar |
| 3423 10 10 | 10 mm | 1.0 mm | 90 mm | 15 / 45 bar |
| 3423 11 15 | 11 mm | 1.5 mm | 75 mm | 21 / 63 bar |
| 3423 12 15 | 12 mm | 1.5 mm | 75 mm | 19 / 57 bar |
| 3423 15 15 | 15 mm | 1.5 mm | 100 mm | 15 / 45 bar |

Brake Hoses

- DIN 74310, 20 m ring
- EPDM

| Article No. | Article Description | QTY |
|-------------|--------------------------|-----|
| 3423 11 | 20M BRAKE HOSE 11X3.5/18 | 1 |
| 3423 13 | 20M BRAKE HOSE 13X6/25 | 1 |



| Technical Data | | |
|----------------|-------------|-----------------------------|
| Art. No. | Size | Operating/Bursting pressure |
| 3423 11 | 11 x 3.5 mm | 15 / 50 bars |
| 3423 13 | 13 x 6.0 mm | 15 / 50 bars |

Cutting Tool

- Used for cuts of compressed-air brake lines made out of plastic-pipe

Product no. 3423 1:

- Pipe dia. 4 - 28 mm

Product no. 3423 3:

- Small and compact construction
- Pipe dia. 4 - 12 mm

| Article No. | Article Description | QTY |
|-------------|------------------------------|-----|
| 3423 1 | CUTTING TOOL F. PLASTIC PIPE | 1 |
| 3423 2 | REPL. BLADE F. CUTTING TOOL | 2 |
| 3423 3 | LINE CUTTER FOR PLASTIC PIPE | 1 |
| 3423 4 | REPL. BLADE FOR LINE CUTTER | 1 |



Compressed-Air Brake System Cutting Ring Connection

- Galvanized steel
- OEM quality

Connection types

- Slip joint



- Butt joint

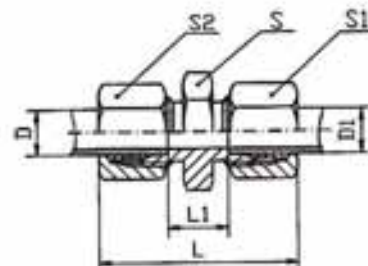


Straight Connections



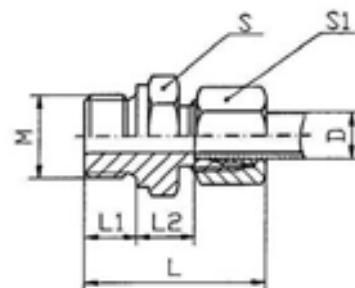
| Technical Data | | | | | | | | | |
|----------------|------------|------------|------------|------------|------------|------------|------------|---------------|------------|
| Art. No. | 3425 40 4 | 3425 40 5 | 3425 40 6 | 3425 40 8 | 3425 40 9 | 3425 40 10 | 3425 40 12 | 3425 40 12 10 | 3425 40 15 |
| D | 4 | 5 | 6 | 8 | 8 | 10 | 12 | 12 | 15 |
| D1 | 4 | 5 | 6 | 8 | 6 | 10 | 12 | 10 | 15 |
| L | 34 | 36 | 39 | 40 | 40 | 42 | 43 | 43 | 68 |
| L1 | 8 | 9 | 10 | 11 | 11 | 13 | 14 | 14 | 37 |
| S | 9 | 11 | 12 | 14 | 14 | 17 | 19 | 19 | 27 |
| S1 | 10 | 12 | 14 | 17 | 14 | 19 | 22 | 19 | 27 |
| S2 | 10 | 12 | 14 | 17 | 17 | 19 | 22 | 22 | 27 |
| DIN | 2353 | 2353 | 2353 | 2353 | - | 2353 | 2353 | - | 74298 |
| max. BD | 250 bar | 250 bar | 250 bar | 250 bar | 250 bar | 250 bar | 250 bar | 250 bar | 25 bar |
| Conn. type | Slip joint | Slip joint | Slip joint | Slip joint | Slip joint | Slip joint | Slip joint | Slip joint | Butt joint |

| Article No. | Article Description | QTY |
|---------------|---------------------------------|-----|
| 3425 40 4 | STRAIGHT THREAD.CONNECT.4/4MM | 5 |
| 3425 40 5 | STRAIGHT THREAD.CONNECT.5/5MM | 5 |
| 3425 40 6 | STRAIGHT THREAD.CONNECT.6/6MM | 5 |
| 3425 40 8 | STRAIGHT THREAD.CONNECT.8/8MM | 5 |
| 3425 40 9 | STRAIGHT THREAD.CONNECT.8/6MM | 5 |
| 3425 40 10 | STRAIGHT THREAD.CONNECT.10/10MM | 5 |
| 3425 40 12 | STRAIGHT THREAD.CONNEC.12/12MM | 5 |
| 3425 40 12 10 | STRAIGHT THREAD.CONNEC.12/10MM | 5 |
| 3425 40 15 | STRAIGHT THREAD.CONNEC.15/15MM | 5 |



Straight Inserted Connections

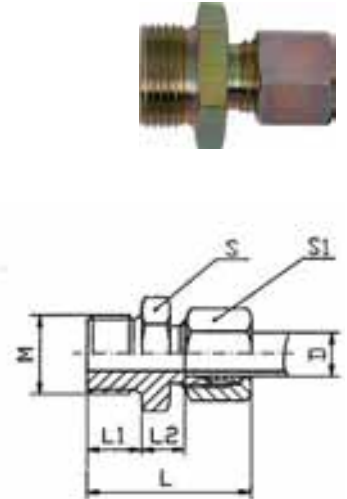
| Technical Data | | | |
|----------------|--------------|---------------|------------|
| Art. No. | 3425 41 8 12 | 3425 41 12 16 | 3425 41 15 |
| D | 8 | 12 | 15 |
| L | 37 | 39 | 41 |
| L1 | 12 | 12 | 12 |
| L2 | 10 | 12,5 | 15 |
| S | 17 | 22 | 27 |
| S1 | 17 | 22 | 27 |
| M | 12x1,5 | 16x1,5 | 22x1,5 |
| DIN | 2353 | 2353 | 74299 |
| max. BD | 25 bar | 25 bar | 25 bar |
| Conn. type | Slip joint | Slip joint | Butt joint |



| Article No. | Article Description | QTY |
|---------------|--------------------------------|-----|
| 3425 41 8 12 | STRAI.INSERT.CONNE.8MM M12X1.5 | 5 |
| 3425 41 12 16 | STRAI.INSERT.CONN.12MM M16X1.5 | 5 |
| 3425 41 15 | STRAI.INSERT.CONN.15MM M22X1.5 | 5 |

Straight Inserted Connections

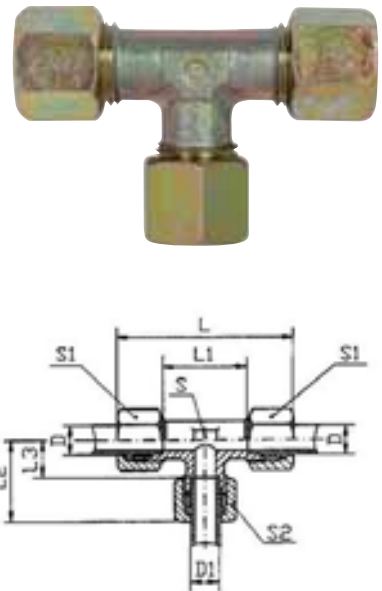
| Technical Data | | | | | | |
|----------------|--------------|--------------|--------------|--------------|------------|---------------|
| Art. No. | 3425 41 6 16 | 3425 41 6 22 | 3425 41 8 16 | 3425 41 8 22 | 3425 41 10 | 3425 41 12 22 |
| D | 6 | 6 | 8 | 8 | 10 | 12 |
| L | 36 | 36 | 36 | 36 | 38 | 39 |
| L1 | 12 | 12 | 12 | 12 | 12 | 12 |
| L2 | 9 | 9 | 9 | 9 | 10 | 10 |
| S | 22 | 27 | 22 | 27 | 27 | 27 |
| S1 | 14 | 14 | 17 | 17 | 19 | 22 |
| M | 16x1,5 | 22x1,5 | 16x1,5 | 22x1,5 | 22x1,5 | 22x1,5 |
| DIN | 74327 | 74327 | 74327 | 74327 | 74327 | 74327 |
| max. BD | 25 bar | 25 bar | 25 bar | 25 bar | 25 bar | 25 bar |
| Conn. type | Slip joint | Slip joint | Slip joint | Slip joint | Slip joint | Slip joint |



| Article No. | Article Description | QTY |
|---------------|--------------------------------|-----|
| 3425 41 6 16 | STRAI.INSERT.CONN.6MM M16X1.5 | 5 |
| 3425 41 6 22 | STRAI.INSERT.CONN.6MM M22X1.5 | 5 |
| 3425 41 8 16 | STRAI.INSERT.CONN.8MM M16X1.5 | 5 |
| 3425 41 8 22 | STRAI.INSERT.CONN.8MM M22X1.5 | 5 |
| 3425 41 10 | STRAI.INSERT.CONN.10MM M22X1.5 | 5 |
| 3425 41 12 22 | STRAI.INSERT.CONN.12MM M22X1.5 | 5 |

T-Threaded Connections

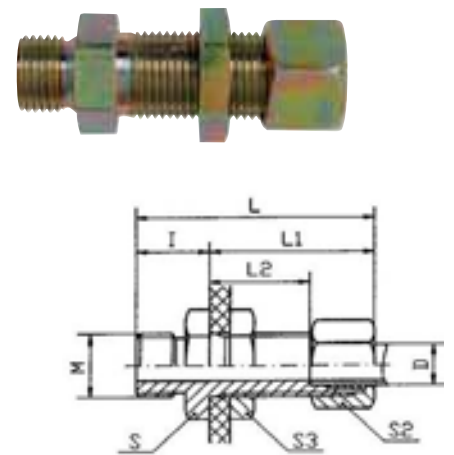
| Technical Data | | | | | | |
|----------------|------------|------------|------------|------------|------------|------------|
| Art. No. | 3425 30 4 | 3425 30 6 | 3425 30 8 | 3425 30 10 | 3425 30 12 | 3425 30 15 |
| D | 4 | 6 | 8 | 10 | 12 | 15 |
| D1 | 4 | 6 | 8 | 10 | 12 | 15 |
| L | 44 | 54 | 58 | 60 | 64 | 72 |
| L1 | 16 | 24 | 28 | 30 | 34 | 42 |
| L2 | 24 | 27 | 29 | 30 | 32 | 36 |
| L3 | 9 | 12 | 14 | 15 | 17 | 21 |
| S | 11 | 12 | 12 | 14 | 17 | 19 |
| S1 | 10 | 14 | 17 | 19 | 22 | 27 |
| S2 | 10 | 14 | 17 | 19 | 22 | 27 |
| DIN | 2353 | 2353 | 2353 | 2353 | 2353 | 2353 |
| max. BD | 100 bar | 250 bar | 250 bar | 250 bar | 250 bar | 250 bar |
| Conn. type | Slip joint | Slip joint | Slip joint | Slip joint | Slip joint | Slip joint |



| Article No. | Article Description | QTY |
|-------------|-------------------------------|-----|
| 3425 30 4 | T-THREADED CONNECT. 4/ 4/ 4MM | 5 |
| 3425 30 6 | T-THREADED CONNECT. 6/ 6/ 6MM | 5 |
| 3425 30 8 | T-THREADED CONNECT. 8/ 8/ 8MM | 5 |
| 3425 30 10 | T-THREADED CONNECT.10/10/10MM | 5 |
| 3425 30 12 | T-THREADED CONNECT.12/12/12MM | 5 |
| 3425 30 15 | T-THREADED CONNECT.15/15/15MM | 5 |

Straight Bulkhead Connections

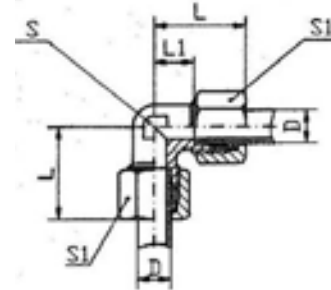
| Technical Data | | | |
|----------------|------------|--------------|------------|
| Art. No. | 3425 42 12 | 3425 42 12 1 | 3425 42 15 |
| D | 12 | 12 | 15 |
| I | 12 | 12 | 12 |
| L | 62 | 62 | 73 |
| L1 | 42 | 42 | 53 |
| L2 | 27 | 27 | 37 |
| S | 22 | 27 | 27 |
| S2 | 22 | 22 | 27 |
| S3 | 24 | 24 | 27 |
| M | 16x1,5 | 22x1,5 | 22x1,5 |
| DIN | 74327 | 74327 | - |
| max. BD | 20 bar | 20 bar | 20 bar |
| Conn. type | Slip joint | Slip joint | Butt joint |



| Article No. | Article Description | QTY |
|--------------|--------------------------------|-----|
| 3425 42 12 | STRA.BULK.STUF.BOX12MM M16X1.5 | 5 |
| 3425 42 12 1 | STRA.BULK.STUF.BOX12MM M22X1.5 | 5 |
| 3425 42 15 | STRA.BULK.STUF.BOX15MM M22X1.5 | 5 |

Elbow Threaded Connections

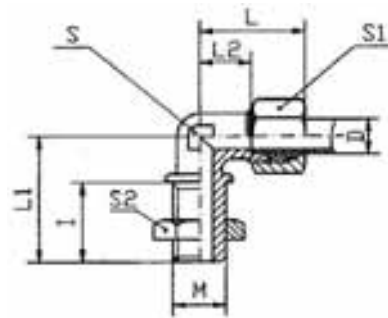
| Technical Data | | | | |
|----------------|------------|------------|------------|------------|
| Art. No. | 3425 50 6 | 3425 50 8 | 3425 50 10 | 3425 50 12 |
| D | 6 | 8 | 10 | 12 |
| L | 27 | 29 | 30 | 32 |
| L1 | 12 | 14 | 15 | 17 |
| S | 12 | 12 | 14 | 17 |
| S1 | 14 | 17 | 19 | 22 |
| DIN | 2353 | 2353 | 2353 | 2353 |
| max. BD | 250 bar | 250 bar | 250 bar | 250 bar |
| Conn. type | Slip joint | Slip joint | Slip joint | Slip joint |



| Article No. | Article Description | QTY |
|-------------|-------------------------------|-----|
| 3425 50 6 | ELBOW THREAD.CONNECT. 6/6MM | 5 |
| 3425 50 8 | ELBOW THREAD.CONNECT. 8/8MM | 5 |
| 3425 50 10 | ELBOW THREAD.CONNECT. 10/10MM | 5 |
| 3425 50 12 | ELBOW THREAD.CONNECT. 12/12MM | 5 |

Elbow Inserted Threaded Connections

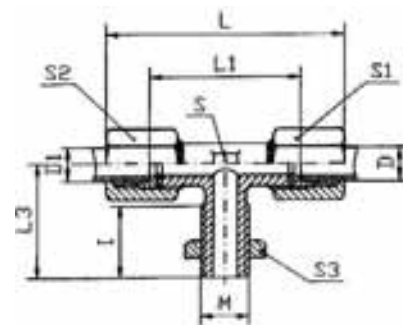
| Technical Data | | | | |
|----------------|------------|------------|--------------|------------|
| Art. No. | 3425 51 10 | 3425 51 12 | 3425 51 12 1 | 3425 51 15 |
| D | 10 | 12 | 12 | 15 |
| I | 25 | 25 | 25 | 25 |
| L | 32 | 32 | 32 | 52 |
| L1 | 45 | 45 | 45 | 45 |
| L2 | 17 | 17 | 17 | 36 |
| S | 17 | 17 | 17 | 19 |
| S1 | 19 | 22 | 22 | 27 |
| S2 | 22 | 22 | 27 | 27 |
| M | 16x1,5 | 16x1,5 | 22x1,5 | 22x1,5 |
| DIN | - | 74327 | 74327 | 74301 |
| max. BD | 20 bar | 20 bar | 20 bar | 20 bar |
| Conn. type | Slip joint | Slip joint | Slip joint | Butt joint |



| Article No. | Article Description | QTY |
|--------------|--------------------------------|-----|
| 3425 51 10 | ELBOW INSERT.CONN.10MM M16X1.5 | 5 |
| 3425 51 12 | ELBOW INSERT.CONN.12MM M16X1.5 | 5 |
| 3425 51 12 1 | ELBOW INSERT.CONN.12MM M22X1.5 | 5 |
| 3425 51 15 | ELBOW INSERT.CONN.15MM M22X1.5 | 5 |

Inserted Connections T-Form

| Technical Data | | |
|----------------|--------------|--------------|
| Art. No. | 3425 5 12 16 | 3425 5 15 22 |
| D | 12 | 15 |
| D1 | 12 | 15 |
| I | 21 | 25 |
| L | 64 | 122 |
| L1 | 34 | 90 |
| L2 | 37 | - |
| L3 | - | 42 |
| S | 17 | - |
| S1 | 22 | 27 |
| S2 | 22 | 27 |
| S3 | 22 | 27 |
| M | 16x1,5 | 22x1,5 |
| DIN | - | 74302 |
| max. BD | 20 bar | 20 bar |
| Conn. type | Slip joint | Butt joint |

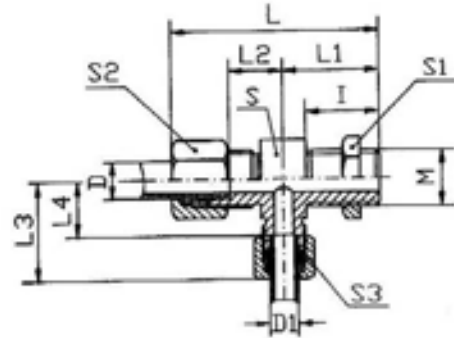


| Article No. | Article Description | QTY |
|--------------|--------------------------------|-----|
| 3425 5 12 16 | T-FORM INS.CON.12/12MM M16X1.5 | 5 |
| 3425 5 15 22 | T-FORM INS.CON.15/15MM M22X1.5 | 5 |

Insert Threaded Elbow-Connections

Technical Data

| | | |
|------------|--------------|--------------|
| Art. No. | 3425 6 12 16 | 3425 6 15 22 |
| D | 12 | 15 |
| D1 | 6 | 6 |
| I | 24 | 25 |
| L | 70 | 72 |
| L1 | 38 | 33 |
| L2 | 17 | 23 |
| L3 | 32 | 33 |
| L4 | 17 | 18 |
| S | 17 | 27 |
| S1 | 22 | 27 |
| S2 | 22 | 27 |
| S3 | 14 | 14 |
| M | 16X1,5 | 22X1,5 |
| DIN | 74327 | 74302 |
| max. BD | 20 bar | 20 bar |
| Conn. type | Slip joint | Butt joint |

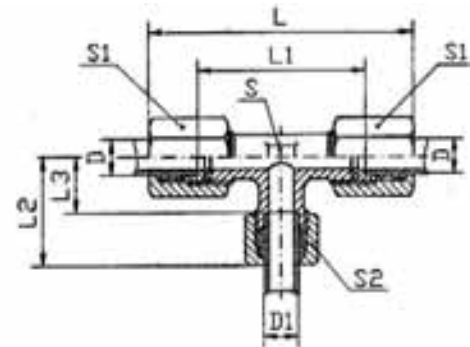


| Article No. | Article Description | QTY |
|--------------|-------------------------------|-----|
| 3425 6 12 16 | L-FORM INS.CON.12/6MM M16X1.5 | 5 |
| 3425 6 15 22 | L-FORM INS.CON.15/6MM M22X1.5 | 5 |

Threaded Reduction T-Connection

Technical Data

| | | |
|------------|-------------|-------------|
| Art. No. | 3425 7 12 6 | 3425 7 12 8 |
| D | 12 | 12 |
| D1 | 6 | 8 |
| L | 64 | 64 |
| L1 | 34 | 34 |
| L2 | 32 | 32 |
| L3 | 17 | 17 |
| S | 17 | 17 |
| S1 | 22 | 22 |
| S2 | 14 | 17 |
| DIN | 74327 | 74327 |
| max. BD | 250 bar | 250 bar |
| Conn. type | Slip joint | Slip joint |

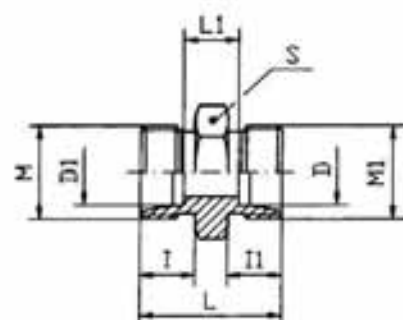


| Article No. | Article Description | QTY |
|-------------|--------------------------------|-----|
| 3425 7 12 6 | T-REDUCTION THR.CONN.12/6/12MM | 5 |
| 3425 7 12 8 | T-REDUCTION THR.CONN.12/8/12MM | 5 |

Straight Connection Pieces

Technical Data

| | | | | | | |
|------------|------------|------------|------------|------------|--------------|--------------|
| Art. No. | 3425 8 12 | 3425 8 22 | 3425 8 6 6 | 3425 8 8 8 | 3425 8 10 10 | 3425 8 12 12 |
| D | - | - | 6 | 8 | 10 | 12 |
| D1 | - | - | 6 | 8 | 10 | 12 |
| I | 10 | 12 | 10 | 10 | 11 | 11 |
| I1 | 10 | 12 | 10 | 10 | 11 | 11 |
| L | 24 | 30 | 26 | 25 | 27 | 28 |
| L1 | - | - | 12 | 11 | 13 | 14 |
| S | 12 | 27 | 17 | 14 | 17 | 19 |
| M | 12x1,5 | 22x1,5 | 12x1,5 | 14x1,5 | 16x1,5 | 18x1,5 |
| M1 | 12x1,5 | 22x1,5 | 12x1,5 | 14x1,5 | 16x1,5 | 18x1,5 |
| DIN | 3902 | 74298 | 74298 | 3902 | 3902 | 3902 |
| max. BD | 20 bar | 20 bar | 250 bar | 250 bar | 250 bar | 250 bar |
| Conn. type | Slip joint | Butt joint | Slip joint | Slip joint | Slip joint | Slip joint |

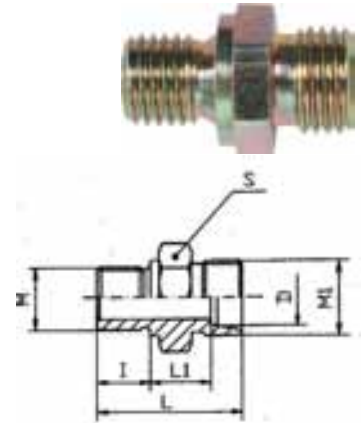


| Article No. | Article Description | QTY |
|--------------|--------------------------------|-----|
| 3425 8 12 | STRAI.CONN.PIE.M12X1.5/M12X1.5 | 5 |
| 3425 8 22 | STRAI.CONN.PIE.M22X1.5/M22X1.5 | 5 |
| 3425 8 6 6 | STRAIGHT CONNECT.PIECES 6/6MM | 5 |
| 3425 8 8 8 | STRAIGHT CONNECT.PIECES 8/8MM | 5 |
| 3425 8 10 10 | STRAIGHT CONNEC.PIECES 10/10MM | 5 |
| 3425 8 12 12 | STRAIGHT CONNEC.PIECES 12/12MM | 5 |

Straight Insert Connection Piece

| Technical Data | | | |
|----------------|-------------|--------------|--------------|
| Art. No. | 3425 9 8 12 | 3425 9 12 16 | 3425 9 15 22 |
| D | 8 | 12 | 15 |
| I | 12 | 12 | 14 |
| L | 29 | 32 | 36 |
| L1 | 10 | 12 | 15 |
| S | 17 | 22 | 27 |
| M | 12x1,5 | 16x1,5 | 22x1,5 |
| M1 | 14x1,5 | 18x1,5 | 22x1,5 |
| DIN | 3901 | 3901 | - |
| max. BD | 20 bar | 20 bar | 20 bar |
| Conn. type | Slip joint | Slip joint | Slip joint |

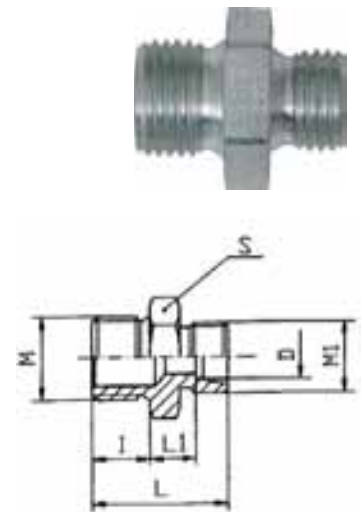
| Article No. | Article Description | QTY |
|--------------|--------------------------------|-----|
| 3425 9 8 12 | S.INS.CON.PC.8MM 12X1.5/14X1.5 | 5 |
| 3425 9 12 16 | S.INS.CON.PC.12MM16X1.5/18X1.5 | 5 |
| 3425 9 15 22 | S.INS.CON.PC.15MM22X1.5/22X1.5 | 5 |



Straight Insert Connection Piece

| Technical Data | | | | | | |
|----------------|-------------|-------------|-------------|-------------|--------------|--------------|
| Art. No. | 3425 9 6 16 | 3425 9 6 22 | 3425 9 8 16 | 3425 9 8 22 | 3425 9 10 22 | 3425 9 12 22 |
| D | 6 | 6 | 8 | 8 | 10 | 12 |
| I | 12 | 12 | 12 | 12 | 12 | 12 |
| L | 28 | 28 | 28 | 28 | 29 | 29 |
| L1 | 9 | 9 | 9 | 9 | 10 | 10 |
| S | 22 | 27 | 22 | 27 | 27 | 27 |
| M | 16x1,5 | 22x1,5 | 16x1,5 | 22x1,5 | 22x1,5 | 22x1,5 |
| M1 | 12x1,5 | 12x1,5 | 14x1,5 | 14x1,5 | 16x1,5 | 18x1,5 |
| DIN | 74313 | 74313 | 74313 | 74313 | 74313 | 74313 |
| max. BD | 20 bar | 20 bar | 20 bar | 20 bar | 20 bar | 20 bar |
| Conn. type | Slip joint | Slip joint | Slip joint | Slip joint | Slip joint | Slip joint |

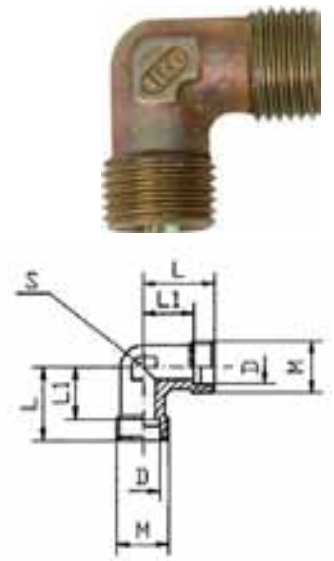
| Article No. | Article Description | QTY |
|--------------|---------------------------------|-----|
| 3425 9 6 16 | G.EINSCHR.ST.6MM 16X1,5/12X1,5 | 5 |
| 3425 9 6 22 | G.EINSCHR.ST.6MM 22X1,5/12X1,5 | 5 |
| 3425 9 8 16 | G.EINSCHR.STU.8MM 16X1,5/14X1,5 | 5 |
| 3425 9 8 22 | G.EINSCHR.ST.8MM 22X1,5/14X1,5 | 5 |
| 3425 9 10 22 | G.EINSCHR.ST.10MM22X1,5/16X1,5 | 5 |
| 3425 9 12 22 | G.EINSCHR.STU.12MM22X1,5/18X1,5 | 5 |



Angular Connection Pieces

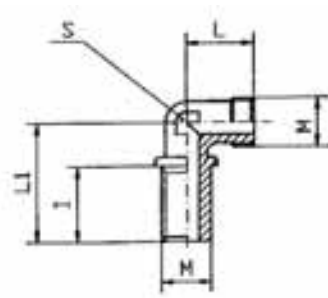
| Technical Data | | | | | |
|----------------|--------------|--------------|---------------|---------------|---------------|
| Art. No. | 3425 11 6 12 | 3425 11 8 14 | 3425 11 10 16 | 3425 11 12 18 | 3425 11 15 22 |
| D | 6 | 8 | 10 | 12 | 15 |
| L | 19 | 21 | 22 | 24 | 28 |
| L1 | 12 | 14 | 15 | 17 | 21 |
| S | 12 | 12 | 14 | 17 | 19 |
| M | 12x1,5 | 14x1,5 | 16x1,5 | 18x1,5 | 22x1,5 |
| DIN | 3905 | 3905 | 3905 | 3905 | 3905 |
| max. BD | 250 bar | 250 bar | 250 bar | 250 bar | 250 bar |
| Conn. type | Slip joint | Slip joint | Slip joint | Slip joint | Slip joint |

| Article No. | Article Description | QTY |
|---------------|--------------------------------|-----|
| 3425 11 6 12 | ANGUL.CONNECT.PIEC.6MM M12X1.5 | 5 |
| 3425 11 8 14 | ANGUL.CONNECT.PIEC.8MM M14X1.5 | 5 |
| 3425 11 10 16 | ANGUL.CONNEC.PIEC.10MM M16X1.5 | 5 |
| 3425 11 12 18 | ANGUL.CONNEC.PIEC.12MM M18X1.5 | 5 |
| 3425 11 15 22 | ANGUL.CONNEC.PIEC.15MM M22X1.5 | 5 |



Angular Insert Connection Piece - Outside Thread

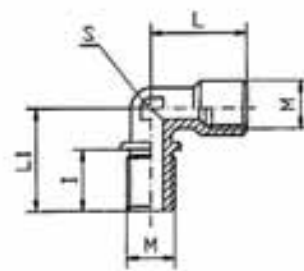
| Technical Data | |
|----------------|------------|
| Art. No. | 3425 12 15 |
| I | 25 |
| L | 33 |
| L1 | 45 |
| S | 19 |
| M | 22x1,5 |
| DIN | 74315 |
| max. BD | 20 |
| Conn. type | Butt joint |



| Article No. | Article Description | QTY |
|-------------|--------------------------------|-----|
| 3425 12 15 | A.INS.CON.P.15MM 22X1.5/22X1.5 | 5 |

Angular Insert Connection Piece - Inside Thread

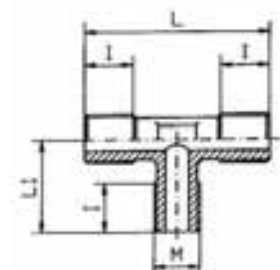
| Technical Data | |
|----------------|------------|
| Art. No. | 3425 12 16 |
| I | 25 |
| L | 36 |
| L1 | 48 |
| S | 19 |
| M | 22x1,5 |
| DIN | 74315 |
| max. BD | 20 |
| Conn. type | Butt joint |



| Article No. | Article Description | QTY |
|-------------|-------------------------------|-----|
| 3425 12 16 | ANG.INS.CON.P.M22X1.5/M22X1.5 | 5 |

T-Connection Pieces

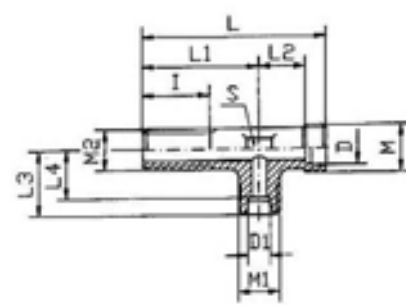
| Technical Data | |
|----------------|------------|
| Art. No. | 3425 13 15 |
| I | 24 |
| L | 84 |
| L1 | 42 |
| M | 22x1,5 |
| DIN | 743102 |
| max. BD | 20 |
| Conn. type | Butt joint |



| Article No. | Article Description | QTY |
|-------------|-----------------------------|-----|
| 3425 13 15 | T-CONNEC.PIECE 15MM M22X1.5 | 5 |

L-Connection Pieces

| Technical Data | | |
|----------------|------------|------------|
| Art. No. | 3425 14 12 | 3425 14 15 |
| D | 12 | 15 |
| D1 | 6 | 6 |
| I | 24 | 25 |
| L | 62 | 55 |
| L1 | 38 | 34 |
| L2 | 17 | - |
| L3 | 24 | 24 |
| L4 | 17 | 17 |
| S | 17 | 19 |
| M | 18x1,5 | 22x1,5 |
| M1 | 12x1,5 | 22x1,5 |
| M2 | 16x1,5 | 22x1,5 |
| DIN | 74317 | 74317 |
| max. BD | 20 | 20 |
| Conn. type | Slip joint | Butt joint |



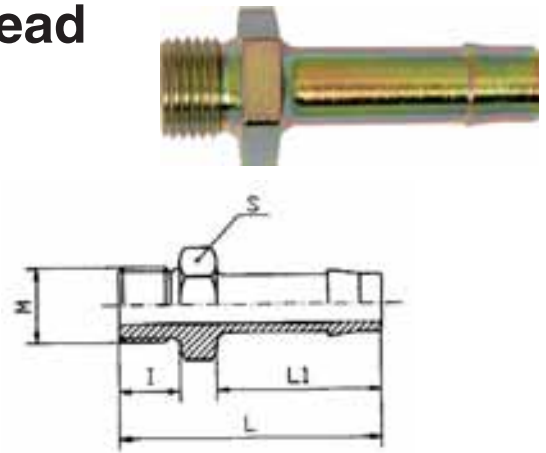
| Article No. | Article Description | QTY |
|-------------|-------------------------------|-----|
| 3425 14 12 | L-CONNEC.PIECE 12/6MM M16X1.5 | 5 |
| 3425 14 15 | L-CONNEC.PIECE 15/6MM M22X1.5 | 5 |

Hose Connection Piece with Thread

Technical Data

| Art. No. | 3420 5 | 3420 6 | 3420 7 | 3420 8 |
|----------|--------|--------|--------|--------|
| Ø | 11 | 11 | 13 | 13 |
| I | 12 | 12 | 12 | 12 |
| L | 58 | 59 | 58 | 59 |
| L1 | 40 | 40 | 40 | 40 |
| S | 22 | 27 | 22 | 27 |
| M | 16x1,5 | 22x1,5 | 16x1,5 | 22x1,5 |
| DIN | 74304 | - | - | 74304 |
| max. BD | 20 | 20 | 20 | 20 |

| Article No. | Article Description | QTY |
|-------------|--------------------------------|-----|
| 3420 5 | HOSE CONNEC.PIECE 11MM M16X1.5 | 5 |
| 3420 6 | HOSE CONNEC.PIECE 11MM M22X1.5 | 5 |
| 3420 7 | HOSE CONNEC.PIECE 13MM M16X1.5 | 5 |
| 3420 8 | HOSE CONNEC.PIECE 13MM M22X1.5 | 5 |

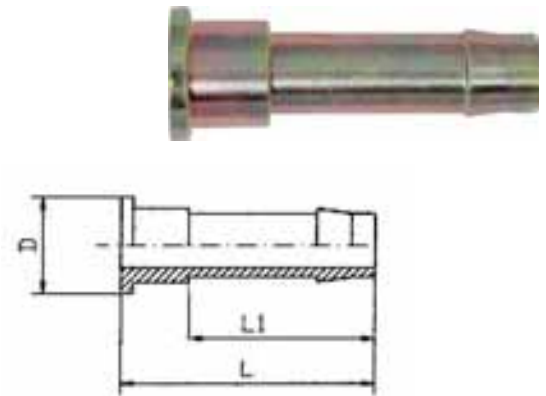


Hose Connection Piece

Technical Data

| Art. No. | 3420 11 | 3420 13 |
|------------|------------|------------|
| Ø | 11 | 13 |
| D | 20 | 20 |
| L | 55 | 55 |
| L1 | 40 | 40 |
| DIN | - | 74304 |
| max. BD | 20 | 20 |
| Conn. type | Butt joint | Butt joint |

| Article No. | Article Description | QTY |
|-------------|----------------------------|-----|
| 3420 11 | HOSE CONNECTION PIECE 11MM | 5 |
| 3420 13 | HOSE CONNECTION PIECE 13MM | 5 |

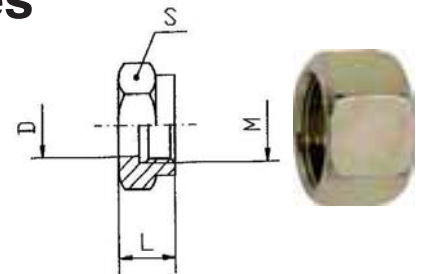


Union Nut for Hose Connection Pieces

Technical Data

| Art. No. | 3420 14 |
|----------|---------|
| D | 17 |
| L | 17 |
| S | 27 |
| M | 22x1,5 |
| DIN | 3870 |

| Article No. | Article Description | QTY |
|-------------|--------------------------------|-----|
| 3420 14 | UNION NUT F.HO.CNCT.PC.M22X1.5 | 5 |

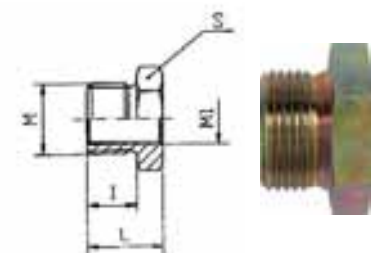


Reducing Connection Pieces

Technical Data

| Art. No. | 3425 15 16 |
|----------|------------|
| M | 22x1,5 |
| M1 | 16x1,5 |
| I | 12 |
| L | 19 |
| S | 27 |

| Article No. | Article Description | QTY |
|-------------|--------------------------------|-----|
| 3425 15 16 | RED.CONN.PIECE M16X1.5/M22X1.5 | 5 |

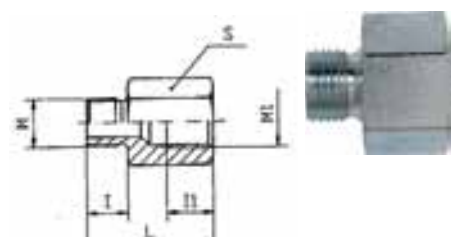


Reducing Connection Piece Long SW

Technical Data

| Art. No. | 3425 15 22 |
|----------|------------|
| M | 16x1,5 |
| M1 | 22x1,5 |
| I | 12 |
| I1 | 14 |
| L | 35 |
| S | 27 |

| Article No. | Article Description | QTY |
|-------------|--------------------------------|-----|
| 3425 15 22 | RED.CONN.PIECE M22X1.5/M16X1.5 | 5 |

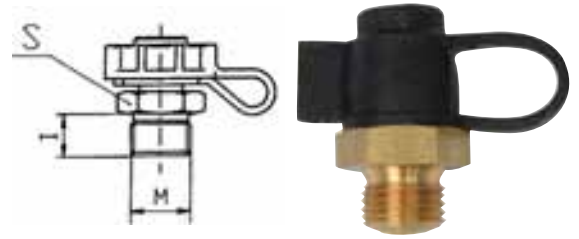


Test Connectors Outside Thread

Technical Data

| Article No. | I | S | M | max. BD |
|-------------|----|----|--------|---------|
| 3421 2 | 12 | | 16x1,5 | 20 bar |
| 3421 3 | 12 | 27 | 22x1,5 | 20 bar |

| Article No. | Article Description | QTY |
|-------------|------------------------------|-----|
| 3421 2 | TEST CONNECT.OUTSIDE M16X1.5 | 5 |
| 3421 3 | TEST CONNECT.OUTSIDE M22X1.5 | 5 |



Test Connectors Inside Thread

Technical Data

| Article No. | S | M | max. BD |
|-------------|----|--------|---------|
| 3421 4 | 17 | 12x1,5 | 20 bar |

| Article No. | Article Description | QTY |
|-------------|--------------------------------|-----|
| 3421 4 | TEST CONNECTION INSIDE M12X1.5 | 5 |

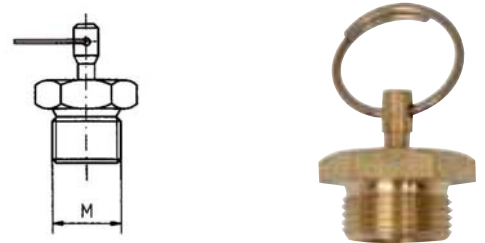


Water Discharge Valve

Technical Data

| Art. No. | M | DIN | max. BD |
|----------|--------|-------|---------|
| 3421 1 | 22x1,5 | 74292 | 20 bar |

| Article No. | Article Description | QTY |
|-------------|-----------------------|------|
| 3421 1 | WATER DISCHARGE VALVE | e 10 |

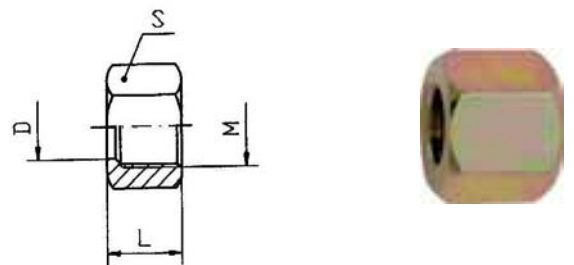


Union Nuts

Technical Data

| Art. No. | D | L | S | M | DIN | Conn. type |
|------------|----|------|----|--------|------|------------|
| 3425 16 6 | 6 | 14,5 | 14 | 12x1,5 | 3870 | Slip joint |
| 3425 16 8 | 8 | 14,5 | 17 | 14x1,5 | 3870 | Slip joint |
| 3425 16 10 | 10 | 15,5 | 19 | 16x1,5 | 3870 | Slip joint |
| 3425 16 12 | 12 | 15,5 | 22 | 18x1,5 | 3870 | Slip joint |
| 3425 16 15 | 15 | 17 | 27 | 22x1,5 | 3870 | Slip joint |

| Article No. | Article Description | QTY |
|-------------|------------------------|-----|
| 3425 16 6 | UNION NUT 6MM M12X1.5 | 5 |
| 3425 16 8 | UNION NUT 8MM M14X1.5 | 5 |
| 3425 16 10 | UNION NUT 10MM M16X1.5 | 5 |
| 3425 16 12 | UNION NUT 12MM M18X1.5 | 5 |
| 3425 16 15 | UNION NUT 15MM M22X1.5 | 5 |

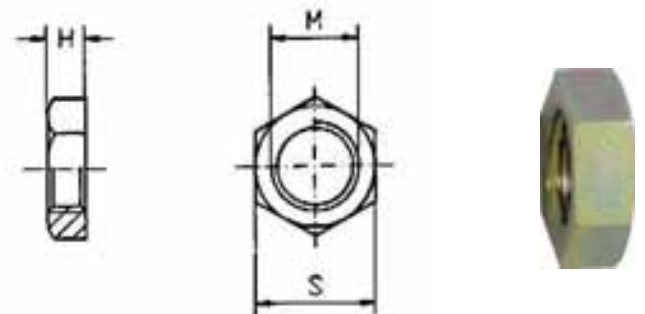


Hexagon Nuts

Technical Data

| Art. No. | H | S | M | DIN |
|------------|---|----|--------|-------|
| 3425 17 12 | 6 | 17 | 12x1,5 | 80705 |
| 3425 17 14 | 6 | 19 | 14x1,5 | 80705 |
| 3425 17 16 | 6 | 22 | 16x1,5 | 80705 |
| 3425 17 18 | 6 | 24 | 18x1,5 | 80705 |
| 3425 17 22 | 8 | 27 | 22x1,5 | 74305 |

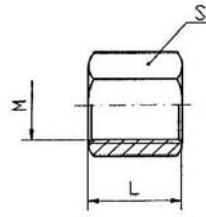
| Article No. | Article Description | QTY |
|-------------|----------------------|-----|
| 3425 17 12 | HEXAGON NUTS M12X1.5 | 5 |
| 3425 17 14 | HEXAGON NUTS M14X1.5 | 5 |
| 3425 17 16 | HEXAGON NUTS M16X1.5 | 5 |
| 3425 17 18 | HEXAGON NUTS M18X1.5 | 5 |
| 3425 17 22 | HEXAGON NUTS M22X1.5 | 5 |



Sockets

Technical Data

| Art. No. | L | S | M | max. BD |
|------------|----|----|--------|---------|
| 3425 18 22 | 25 | 27 | 22x1,5 | 20 bar |

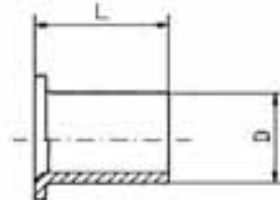


| Article No. | Article Description | QTY |
|-------------|---------------------|-----|
| 3425 18 22 | SOCKETS M22X1.5 | 5 |

Support Sleeves Brass

Technical Data

| Article No. | Pipe-Ø | D | L | max. BD |
|-------------|--------|------|----|---------|
| 3425 10 2 | 4x1 | 2 | - | 25 bar |
| 3425 10 3 | 5x1 | 3 | - | 25 bar |
| 3425 10 4 | 6x1 | 4 | 10 | 25 bar |
| 3425 10 6 | 8x1 | 6 | 15 | 25 bar |
| 3425 10 7 | 9x1,5 | 7 | 15 | 25 bar |
| 3425 10 8 | 10x1 | 8 | 15 | 25 bar |
| 3425 10 9 | 11x1,5 | 9 | 15 | 25 bar |
| 3425 10 10 | 12x1,5 | 10 | 15 | 25 bar |
| 3425 10 115 | 15x1,5 | 11,5 | 15 | 25 bar |
| 3425 10 12 | 15x1,5 | 12 | 15 | 25 bar |

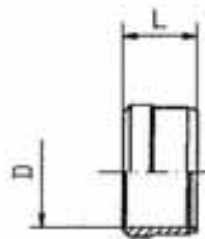


| Article No. | Article Description | QTY |
|-------------|--------------------------------|-----|
| 3425 10 2 | SUPPORT SLEEVE BRASS 2/4MM | 50 |
| 3425 10 3 | SUPPORT SLEEVE BRASS 3/5MM | 50 |
| 3425 10 4 | SUPPORT SLEEVE BRASS 4/6MM | 25 |
| 3425 10 6 | SUPPORT SLEEVE BRASS 6/8MM | 25 |
| 3425 10 7 | SUPPORT SLEEVE BRASS 7/10M | 25 |
| 3425 10 8 | SUPPORT SLEEVE BRASS 8/10M | 25 |
| 3425 10 9 | SUPPORT SLEEVE BRASS 9/12MM | 25 |
| 3425 10 10 | SUPPORT SLEEVE BRASS 10/12MM | 25 |
| 3425 10 12 | SUPPORT SLEEVE BRASS 12/15MM | 10 |
| 3425 10 115 | SUPPORT SLEEVE BRASS 11.5/16MM | 10 |

Cutting Rings

Technical Data

| Article No. | D | L | DIN | max. BD |
|-------------|----|-----|------|---------|
| 3425 70 4 | 4 | 9 | 3861 | 100 bar |
| 3425 70 6 | 6 | 9,5 | 3861 | 250 bar |
| 3425 70 8 | 8 | 9,5 | 3861 | 250 bar |
| 3425 70 10 | 10 | 10 | 3861 | 250 bar |
| 3425 70 12 | 12 | 10 | 3861 | 250 bar |
| 3425 70 14 | 14 | 10 | 3861 | 630 bar |
| 3425 70 15 | 15 | 10 | 3861 | 315 bar |

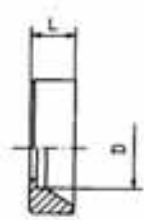


| Article No. | Article Description | QTY |
|-------------|---------------------|-----|
| 3425 70 4 | CUTTING RING 4MM | 25 |
| 3425 70 6 | CUTTING RING 6MM | 25 |
| 3425 70 8 | CUTTING RING 8MM | 25 |
| 3425 70 10 | CUTTING RING 10MM | 25 |
| 3425 70 12 | CUTTING RING 12MM | 25 |
| 3425 70 14 | CUTTING RING 14MM | 25 |
| 3425 70 15 | CUTTING RING 15MM | 10 |

Thrust Ring

Technical Data

| Article No. | D | L | DIN | max. BD |
|-------------|----|---|------|---------|
| 3425 19 15 | 15 | 9 | 3867 | 20 bar |

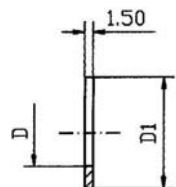


| Article No. | Article Description | QTY |
|-------------|---------------------|-----|
| 3425 19 15 | THRUST RING 15MM | 5 |

Sealing Ring

Technical Data

| Article No. | D | D1 | Pipe-Ø | DIN | max. BD |
|-------------|----|----|--------|------|---------|
| 3425 20 15 | 12 | 19 | 15 | 7603 | 20 bar |

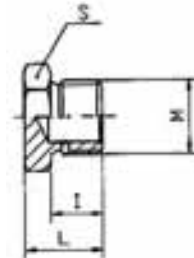


| Article No. | Article Description | QTY |
|-------------|---------------------|-----|
| 3425 20 15 | SEALING RING 15MM | 5 |

Hollow Screw Plugs

Technical Data

| Article No. | I | L | S | M | DIN | max. BD |
|-------------|----|----|----|--------|-------|---------|
| 3425 21 22 | 12 | 19 | 27 | 22x1,5 | 74305 | 20 bar |

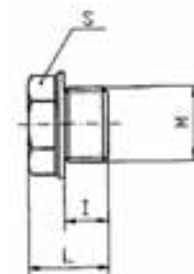


| Article No. | Article Description | QTY |
|-------------|---------------------------|-----|
| 3425 21 22 | HOLLOW SCREW PLUG M22X1.5 | 5 |

Screw Plugs

Technical Data

| Article No. | I | L | S | M | DIN |
|-------------|---|----|----|--------|------|
| 3425 22 16 | 9 | 17 | 22 | 16x1,5 | 7604 |



| Article No. | Article Description | QTY |
|-------------|---------------------|-----|
| 3425 22 16 | SCREW PLUG M16X1.5 | 5 |

Plug Connectors for Compressed-Air Brake Systems

Plug Connectors, Straight

- TÜV tested and approved for compressed air brake systems
- For polyamide tubing according to DIN 73378 / 74324
- Operating pressure: up to 15 bars
- Temperature range: -40°C to +100°C
- Easy to assembly and disassembly without tools
- Material: housing - brass, O-rings - nitrile rubber



| Article No. | Article Description | QTY |
|-------------|--------------------------------|-----|
| 3422 06 1 | PLUG CNCTR.STRAIGHT BRASS 6MM | 5 |
| 3422 08 1 | PLUG CNCTR.STRAIGHT BRASS 8MM | 5 |
| 3422 09 1 | PLUG CNCTR.STRAIGHT BRASS 9MM | 5 |
| 3422 10 1 | PLUG CNCTR.STRAIGHT BRASS 10MM | 5 |
| 3422 11 1 | PLUG CNCTR.STRAIGHT BRASS 11MM | 5 |
| 3422 12 1 | PLUG CNCTR.STRAIGHT BRASS 12MM | 5 |
| 3422 14 1 | PLUG CNCTR.STRAIGHT BRASS 14MM | 5 |
| 3422 15 1 | PLUG CNCTR.STRAIGHT BRASS 15MM | 5 |
| 3422 16 1 | PLUG CNCTR.STRAIGHT BRASS 16MM | 5 |

| Technical Data | | |
|----------------|--------------------|----------------|
| Art. No. | For pipe outside-Ø | Wall thickness |
| 3422 06 1 | 6 mm | 1,0 mm |
| 3422 08 1 | 8 mm | 1,0 mm |
| 3422 09 1 | 9 mm | 1,5 mm |
| 3422 10 1 | 10 mm | 1,0 mm |
| 3422 11 1 | 11 mm | 1,5 mm |
| 3422 12 1 | 12 mm | 1,5 mm |
| 3422 14 1 | 14 mm | 2,0 mm |
| 3422 15 1 | 15 mm | 1,5 mm |
| 3422 16 1 | 16 mm | 2,0 mm |

Plug Connector, 90° Angle

- TÜV tested and approved for compressed air brake systems
- For polyamide tubing according to DIN 73378 / 74324
- Operating pressure: up to 15 bars
- Temperature range: -40°C to +100°C
- Easy to assembly and disassembly without tools
- Material: housing - brass, O-rings - nitrile rubber



| Article No. | Article Description | QTY |
|-------------|------------------------------|-----|
| 3422 06 2 | PLUG CNCTR.ANGLED BRASS 6MM | 5 |
| 3422 08 2 | PLUG CNCTR.ANGLED BRASS 8MM | 5 |
| 3422 10 2 | PLUG CNCTR.ANGLED BRASS 10MM | 5 |
| 3422 12 2 | PLUG CNCTR.ANGLED BRASS 12MM | 5 |
| 3422 15 2 | PLUG CNCTR.ANGLED BRASS 15MM | 5 |

| Technical Data | | |
|----------------|--------------------|----------------|
| Art. No. | For pipe outside-Ø | Wall thickness |
| 3422 06 2 | 6 mm | 1,0 mm |
| 3422 08 2 | 8 mm | 1,0 mm |
| 3422 10 2 | 10 mm | 1,0 mm |
| 3422 12 2 | 12 mm | 1,5 mm |
| 3422 15 2 | 15 mm | 1,5 mm |

T-Connector

- TÜV tested and approved for compressed air brake systems
- For polyamide tubing according to DIN 73378 / 74324
- Operating pressure: up to 15 bars
- Temperature range: -40°C to +100°C
- Easy to assembly and disassembly without tools
- Material: housing - brass, O-rings - nitrile rubber



| Article No. | Article Description | QTY |
|-------------|-------------------------------|-----|
| 3422 06 3 | PLUG CNCTR.T-SHAPE BRASS 6MM | 5 |
| 3422 08 3 | PLUG CNCTR.T-SHAPE BRASS 8MM | 5 |
| 3422 10 3 | PLUG CNCTR.T-SHAPE BRASS 10MM | 5 |
| 3422 12 3 | PLUG CNCTR.T-SHAPE BRASS 12MM | 5 |

| Technical Data | | |
|----------------|--------------------|----------------|
| Art. No. | For pipe outside-Ø | Wall thickness |
| 3422 06 3 | 6 mm | 1,0 mm |
| 3422 08 3 | 8 mm | 1,0 mm |
| 3422 10 3 | 10 mm | 1,0 mm |
| 3422 12 3 | 12 mm | 1,5 mm |

Plug Connectors for Compressed-Air Brake Systems

Legend : RO = turnable, not removable plug connection

Straight Screw-in Connector, Not Removable

- Snap-in design, cannot be disassembled

| Article No. | Article Description | QTY |
|--------------|-------------------------------|-----|
| 3424 010 020 | SCREW.STRAIGHT 4X6 M12X1.5 | 5 |
| 3424 010 030 | SCREW.STRAIGHT 4X6 M14X1.5 | 5 |
| 3424 010 040 | SCREW.STRAIGHT 4X6 M16X1.5 | 5 |
| 3424 010 070 | SCREW.STRAIGHT 6X8 M12X1.5 | 5 |
| 3424 010 080 | SCREW.STRAIGHT 6X8 M14X1.5 | 5 |
| 3424 010 090 | SCREW.STRAIGHT 6X8 M16X1.5 | 5 |
| 3424 010 100 | SCREW.STRAIGHT 6X8 M22X1.5 | 5 |
| 3424 010 130 | SCREW.STRAIGHT 7X10 M16X1.5 | 5 |
| 3424 010 140 | SCREW.STRAIGHT 7X10 M22X1.5 | 5 |
| 3424 010 190 | SCREW.STRAIGHT 7.5X10 M22X1.5 | 5 |
| 3424 010 200 | SCREW.STRAIGHT 8X10 M14X1.5 | 5 |
| 3424 010 210 | SCREW.STRAIGHT 8X10 M16X1.5 | 5 |
| 3424 010 220 | SCREW.STRAIGHT 8X10 M22X1.5 | 5 |
| 3424 010 230 | SCREW.STRAIGHT 9X12 M12X1.5 | 5 |
| 3424 010 240 | SCREW.STRAIGHT 9X12 M14X1.5 | 5 |
| 3424 010 250 | SCREW.STRAIGHT 9X12 M16X1.5 | 5 |
| 3424 010 260 | SCREW.STRAIGHT 9X12 M22X1.5 | 5 |
| 3424 010 300 | SCREW.STRAIGHT 12X15 M16X1.5 | 5 |
| 3424 010 310 | SCREW.STRAIGHT 12X15 M22X1.5 | 5 |
| 3424 010 320 | SCREW.STRAIGHT 12X16 M16X1.5 | 5 |
| 3424 010 330 | SCREW.STRAIGHT 12X16 M22X1.5 | 5 |

(Pipe inside-Ø mm x pipe outside-Ø mm)



Straight Double Connector, Not Removable

- Snap-in design, cannot be disassembled

| Article No. | Article Description | QTY |
|--------------|--------------------------|-----|
| 3424 020 010 | CONNECTOR STRAIGHT 4X6 | 5 |
| 3424 020 020 | CONNECTOR STRAIGHT 6X8 | 5 |
| 3424 020 030 | CONNECTOR STRAIGHT 7X10 | 5 |
| 3424 020 050 | CONNECTOR STRAIGHT 8X10 | 5 |
| 3424 020 060 | CONNECTOR STRAIGHT 9X12 | 5 |
| 3424 020 070 | CONNECTOR STRAIGHT 12X15 | 5 |
| 3424 020 080 | CONNECTOR STRAIGHT 12X16 | 5 |

(Pipe inside-Ø mm x pipe outside-Ø mm)



Screw-in Connector Straight, Removable

- Snap-in design, can be disassembled

| Article No. | Article Description | QTY |
|--------------|--------------------------------|-----|
| 3424 050 097 | SCREW-IN CONNECTOR 6MM M10X1.0 | 5 |
| 3424 052 097 | SCREW-IN CONNECTOR 6MM M12X1.5 | 5 |
| 3424 054 097 | SCREW-IN CONNECTOR 6MM M22X1.5 | 5 |
| 3424 056 097 | SCREW-IN CONNECTOR 8MM M12X1.5 | 5 |
| 3424 058 097 | SCREW-IN CONNECTOR 8MM M12X1.5 | 5 |
| 3424 060 097 | SCREW-IN CONNECTOR 8MM M22X1.5 | 5 |
| 3424 062 097 | SCREW-IN CONNECTOR 8MM M16X1.5 | 5 |
| 3424 064 097 | SCREW-IN CONNECTOR 8MM M22X1.5 | 5 |
| 3424 065 097 | SCREW-IN CONNECTOR 8MM M12X1.5 | 5 |
| 3424 066 097 | SCREW-IN CONNECTOR 8MM M16X1.5 | 5 |
| 3424 068 097 | SCREW-IN CONNECTOR 8MM M22X1.5 | 5 |
| 3424 072 097 | SCREW-IN CONNECTOR 8MM M16X1.5 | 5 |
| 3424 074 097 | SCREW-IN CONNECTOR 8MM M22X1.5 | 5 |

(Pipe outside-Ø mm)



Screw-in Plug and Socket Connector RO 15

| Article No. | Article Description | QTY |
|--------------|----------------------|-----|
| 3424 040 010 | SOCKET RO15 M 10X1.0 | 5 |
| 3424 040 020 | SOCKET RO15 M 12X1.5 | 5 |
| 3424 040 030 | SOCKET RO15 M 14X1.5 | 5 |
| 3424 040 040 | SOCKET RO15 M 16X1.5 | 5 |
| 3424 040 050 | SOCKET RO15 M 22X1.5 | 5 |



Screw Adaptor

| Article No. | Article Description | QTY |
|--------------|-----------------------------|-----|
| 3424 060 010 | SCREW ADAPTER M16/22/22X1.5 | 5 |
| 3424 060 020 | SCREW ADAPTER M16/16/22X1.5 | 5 |



Screw-in Connector 90° Angle

| Article No. | Article Description | QTY |
|--------------|------------------------------|-----|
| 3424 110 010 | ANGLE 90° M16X1.5A/ M16X1.5I | 5 |



Screw / Plug Connector 90° Angle RO13/RO15

| Article No. | Article Description | QTY |
|--------------|------------------------|-----|
| 3424 120 010 | ANGLE 90° RO13 M12X1,5 | 5 |
| 3424 120 020 | ANGLE 90° RO15 M16X1,5 | 5 |



Screw / Plug Connector Angle 135° RO15

| Article No. | Article Description | QTY |
|--------------|-------------------------|-----|
| 3424 090 010 | ANGLE 135° RO15 M16X1.5 | e 5 |



Screw Connector 90° Angle

| Article No. | Article Description | QTY |
|--------------|---------------------|-----|
| 3424 130 020 | ANGLE 90° M16X1.5 | 5 |



T-Screw / Plug Connector RO15 Centred



| Article No. | Article Description | QTY |
|--------------|-------------------------|-----|
| 3424 140 020 | T-FITTING RO15T2X16X1.5 | 5 |

T-Screw / Plug Connector RO15 Lateral



| Article No. | Article Description | QTY |
|--------------|---------------------------|-----|
| 3424 150 020 | T-FITTING RO15 L 2X16X1.5 | 5 |

T-Screw Connector



| Article No. | Article Description | QTY |
|--------------|---------------------|-----|
| 3424 160 020 | T-PIECE 3XM16X1.5 | 5 |
| 3424 160 030 | T-FITTING 3XM22X1.5 | 5 |

Crosswise Screw / Plug Connector RO15



| Article No. | Article Description | QTY |
|--------------|--------------------------------|-----|
| 3424 180 020 | CROSSWISE PIECE RO15 3XM16X1.5 | 5 |

Reduction Screw Connector



| Article No. | Article Description | QTY |
|--------------|---------------------------|-----|
| 3424 210 010 | REDUCTION M16X1.5 M22X1.5 | 5 |

Thread Chasing Tool

- For recutting and cleaning of damaged outside threads
- Suitable for left and right-hand threads for metric and inch threads
- Cutting jaws in magazine for quick conversion
- Soft holding and guide jaws for cutting thread without damage
- Flank angle for inch cutting jaws 60°

Application:

- Truck axle drums, hydraulic cylinder fittings, steering rods, etc.

For thread pitches:

- Metric 1/1.25/1.5/1.75/2/2.5/3/3.5
- Inch: 4/5/6/7/7.5/8/9/10/11/11.5/12/14/16/18/20/24 threads per inch



| Article No. | Article Description | QTY |
|-------------|----------------------------|-----|
| 4965 25 140 | THREAD CHASER 25-140MM M+" | 1 |

Seeger Circlip Pliers Set with Ring Fixing

- With these pliers you can create 6 different circlip pliers by changing the points
- Working range:
 - Internal: 78 - 159 mm
 - External: 89 - 159 mm

| Article No. | Article Description | QTY |
|-------------|-------------------------|-----|
| 4076 90 | SEEGERCIRCLIPSETRINGFIX | 1 |

Contents:

- 1x basis tool for internal shafts, jaw length 400 mm
- 1x basis tool for external shafts, jaw length 400 mm
- 6 pairs of points:
 - 3x Ø 2.75 mm: straight, 45°, angled 90°
 - 3x Ø 3.00 mm: straight, 45°, angled 90°



Set of Oil Filter Removal Caps 1/2", 9-Piece

- 9-piece removal cap set for profiled oil filter cartridges in case
- High quality, deep drawn steel with reinforced plate and 1/2" square drive
- Including belt wrench for dia. up to 160 mm with 1/2" square drive and 21 mm hex shaft and 21mm 12 point offset box wrench



| Technical Data | | |
|----------------|-------------------|---|
| SW mm | Number of grooves | Application e.g. |
| 36 | 6 | MERCEDES BENZ (AXOR BR400, ATEGO BR900, ACTROS BR500), SCANIA (PDE V8-Motor, HPI-Motor) |
| 74 | 14 | MERCEDES BENZ (Sprinter Motor Version 600), VW (Transporter) |
| 106 | 15 | MAN (8-10 To. - Serie L 2000), SCANIA (PDE-Motor), FIAT (DUCATO 2.5 D/TD), IVECO |
| 107 | 15 | VOLVO, IVECO, RENAULT, SCANIA |
| 108 | 15 | VOLVO, IVECO, RENAULT, SCANIA |
| 108 | 18 | RENAULT Transporter (Master, Traffic 2.4/2.5/2.8 D/TD), OPEL (Movano) |
| 135 | 18 | MAN (18-48 To. Serie F2000, TGA) |

| Article No. | Article Description | QTY |
|-------------|--------------------------------|-----|
| 4926 91 | 1/2"TL OIL FILT.REM CAP SET9PC | 1 |

Torque Replicator

- Robust tightening and releasing tool for high-tensile screw connections
- A planetary gear triples the torque applied at the handle
- Enables an increased threefold torque in combination with a torque wrench



Application:

- Construction machines, trucks, agricultural machines, service vehicles etc.



| Article No. | Article Description | QTY |
|-------------|-------------------------|-----|
| 4642 1 | TORQUE REPLICATOR 1400N | 1 |
| 4642 2 | TORQUE REPLICATOR 2700N | 1 |

| Technical Data | | | | |
|----------------|-------|-------|---------------|----------------|
| Art. No. | Drive | Drive | max. Nm Input | max. Nm Output |
| 4642 1 | 1/2" | 3/4" | 450 | 1.400 |
| 4642 2 | 3/4" | 1" | 900 | 2.700 |

Torque Replicator 3200 Nm

- Transmission ratio 1:56 due to planetary gear
- Easy releasing of wheel screw connections
- Ideal for mobile use, trucks, agricultural machines, tool kits of service vehicles, bus and long-distance vehicles



| Article No. | Article Description | QTY |
|-------------|-------------------------|-----|
| 4642 3 | TORQUE REPLICATOR 3200N | 1 |

Contents:

- 1x Torque replicator 3200 Nm
- 1x Extension 210 mm
- 1x Crank
- 1x Kraft socket 1" SW 30/SW 32



| Technical Data | |
|---------------------|--------------------|
| Transmission ratio: | 1:56 |
| Max. output torque: | 3200 Nm |
| Drive: | 1" external square |
| Drive: | 1" external square |
| Weight: | 8.5 kg |

Tire Changing Aid for Commerical Vehicles

- Allows tires to be changed easily on trucks, buses and forklifts
- Enormous time savings
- Adjustable, rotating support pin
- For tires from 5.6 to 22.5"
- Pin interval adjustable in 3 stages
- No damage of wheel studs
- Maximum load: 250 kg
- Weight: 12kg
- Total width :70 cm



| Article No. | Article Description | QTY |
|-------------|--------------------------------|-----|
| 5433 5 | TIRE CHANGING AID FOR COM VEH. | 1 |

Laser for Camber/Castor Alignment

- Vehicle repair/camber and castor transfer without axle measurement
- Suitable for trucks, semi-trailer trucks and buses
- Simple-to-use tool
- Incl. 1 replacement laser



| Article No. | Article Description | QTY |
|-------------|------------------------------------|-----|
| 4930 3 | LAS. TRU. CASTOR/CAMB. ALIGN. TOOL | 1 |

Ratchet - Adjustable

- 3/16", 1/4", 5/16", 3/8"
- Right/left adjustable
- For opening/closing of spindle valves at air conditioners
- Suitable for vintage cars, buses, agricultural, forestry and municipal vehicles

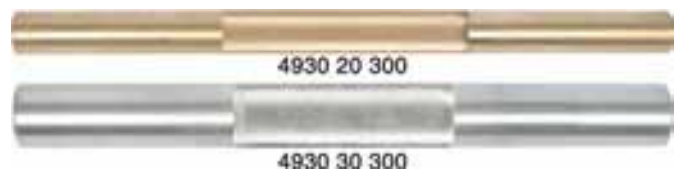


| Article No. | Article Description | QTY |
|-------------|-------------------------------|-----|
| 5380 5 | RATCHET RIGHT-LEFT ADJUSTABLE | 1 |

Assembly Plug

- For bearings, studs and sleeves

| Article No. | Article Description | QTY |
|-------------|-----------------------|-----|
| 4930 20 300 | BRASS - PLUG 20X300MM | 1 |
| 4930 30 300 | ALU - PLUG 30X300MM | 1 |



Hex Socket Wrench Set 3/4", 21-Part



| Article No. | Article Description | QTY |
|-------------|--------------------------------|-----|
| 4415 34 21 | 3/4"FORCH-TL SOC.WR.SET.21PCS. | 1 |

Included in set:

- 1x Art. No. 4401 34 1 Reversible ratchet 3/4" 500 mm
- 1x Art. No. 4402 34 T-handle 450 mm
- 1x Art. No. 4423 100 Square extension 100 mm
- 1x Art. No. 4423 200 Square extension 200 mm
- 1x Art. No. 4423 400 Square extension 400 mm
- AGR 4428 3/4" Hex sockets, Sizes
19/21/22/23/24/26/27/29/30/32/35/36/38/41/46/50

Hex Socket Wrench Set 1", 22-Part



| Article No. | Article Description | QTY |
|-------------|-------------------------------|-----|
| 4415 1 22 | 1"TL WRENCH SOCKET SET 22PART | 1 |

Included in set:

- 1x Reversible ratchet 1"
- 1x Sliding head 1"
- 1x Extension 550 mm (to be used as ratchet grip and together with the sliding head as T-handle)
- 1x Square extension 200 mm
- 1x Square extension 400 mm
- 1x 1" Hex socket wrench inserts SW
36/38/41/46/50/54/55/58/60/63/65/67/70/71/75/77/80 mm

Kraft-TX/Allen Key Set 3/4", 15-Part

- Usable for trucks, agricultural and construction machines, digger, big machines etc.
- Also suitable for impact wrench

| Article No. | Article Description | QTY |
|-------------|--------------------------------|-----|
| 4578 34 16 | 3/4"TL KRAFT TX/A.KEY SET 15PA | 1 |

Contents:

- Art. No. 4156 4 Hex-Plus angled screw driver 4
- Art. No. 4572 1 Bit intake socket 1"
- Art. No. 4572 1 60 Kraft Bit TX60 107 mm
- Art. No. 4572 1 70 Kraft Bit TX70 107 mm
- Art. No. 4572 1 90 Kraft Bit TX90 107 mm
- Art. No. 4572 1 100 Kraft Bit TX100 107 mm
- Art. No. 4572 2 17 Kraft Bit Allen Key SW17 107 mm
- Art. No. 4572 2 19 Kraft Bit Allen Key SW19 107 mm
- Art. No. 4572 2 22 Kraft Bit Allen Key SW122 107 mm
- Art. No. 4572 2 24 Kraft Bit Allen Key SW24 107 mm
- Art. No. 4572 34 Bit intake socket 3/4"
- Art. No. 4572 3 18 Kraft Bit socket TX E18 107 mm
- Art. No. 4572 3 20 Kraft Bit socket TX E20 107 mm
- Art. No. 4572 3 22 Kraft Bit socket TX E22 107 mm
- Art. No. 4572 3 24 Kraft Bit socket TX E24 107 mm



Aluminium Telescopic Leaning Ladder

- 13 Steps
- Length: 3.80 m (extended)
- Length: 0.89 m (retracted)
- Weight: 12.6 kg
- Maximal loading capacity: 150 kg
- Tested according to EN-131



| Article No. | Article Description | QTY |
|-------------|-----------------------------|-----|
| 4986 380 | ALU TEDESC.LEAN.LADDER3.80M | 1 |

Aluminium Telescopic Folding Ladder

- 2x7 Steps
- Length: 2.00 m (extended)
- Length: 0.75 m (retracted)
- Weight: 9.6 kg
- Maximal loading capacity: 120 kg
- Tested according to EN-131



| Article No. | Article Description | QTY |
|-------------|--------------------------------|-----|
| 4986 200 | ALU TEDESC.FOLDINGLADDER 2,00M | 1 |

Safe Assembly Platform

- 2 security locking positions
- Space saving storage
- Plastic edges on the feet protect the platform and the floor
- Non slip, rubberised tread
- Load capacity up to 150 kg
- Dimension of surface area : LxW: 100 x 30 cm
- Total dimensionLxWxH: 134.5 x 40.5 x 40.8 cm
- Weight: 7.4 kg



| Article No. | Article Description | QTY |
|-------------|------------------------|-----|
| 5436 2 | SAFE ASSEMBLY PLATFORM | 1 |

Tyre Step

- Makes working at higher vehicles easier
- Easy to attach at front and rear wheel
- Suitable for almost all transporters, SUV (sport utility vehicle), limousines and cross-country cars from 600 mm diameter
- With 5-step adjustable wheel width and height
- Skid-resistant substrate
- Dimensions: 555 x 513 x 351 mm
- Load capacity: 225 kg



| Article No. | Article Description | QTY |
|-------------|---------------------|-----|
| 5436 5 | TYRE - STEP | 1 |

Profile Cutting Device RF6

- For cutting profile grooves in rubber material
- Hitech Trafo with overheat protection for safe and quick 'non-stop' cutting
- Excellent flexible connection cable, ergonomical and user-friendly
- Ergonomical cutting grip
- Including blade setting gauge
- 4 heat levels, adjustable depending on the blade width
- External transformer
- TÜV/CE tested



| Article No. | Article Description | QTY |
|-------------|----------------------------|-----|
| 3560 600 | PROFILE CUTTING DEVICE RF6 | 1 |

Profile Blade Sets

- 'R' Round blades
- 'W' Angled blades



| Article No. | Article Description | QTY |
|-------------|--------------------------------|-----|
| 3560 6 1 | PROFILE BLADE SET 'R' 100-PART | 1 |
| 3560 7 1 | PROFILE BLADE SET 'W' 110-PART | 1 |

Art. No. 3560 6 1:

- 20x Art. No. 3560 6 3 4, 3560 6 5 6, 3560 6 6 8, 6560 6 9 10 und 3560 6 10 14 round blades

Art. No. 3560 7 1:

- 20x Art. No. 3560 7 3 4, 3560 7 5 6, 3560 7 6 8, 3560 7 9 10 and 3560 7 10 14 angled blades
- 10x Art. No. 3560 7 22 28 angled blades

Profile Round Blades

| Article No. | Article Description | QTY |
|--------------|--------------------------------|-----|
| 3560 6 3 4 | PCK(20)PROFILE BLADE R1 3- 4MM | 1 |
| 3560 6 5 6 | PCK(20)PROFILE BLADE R2 5- 6MM | 1 |
| 3560 6 6 8 | PCK(20)PROFILE BLADE R3 6- 8MM | 1 |
| 3560 6 9 10 | PCK(20)PROFILE BLADE R4 9-10MM | 1 |
| 3560 6 10 14 | PCK(20)PROFIL.BLADE R5 10-14MM | 1 |



Profile Angular Blades

| Article No. | Article Description | QTY |
|--------------|--------------------------------|-----|
| 3560 7 3 4 | PCK(20)PROFILE BLADE W1 3- 4MM | 1 |
| 3560 7 5 6 | PCK(20)PROFILE BLADE W2 5- 6MM | 1 |
| 3560 7 6 8 | PCK(20)PROFILE BLADE W3 6- 8MM | 1 |
| 3560 7 9 10 | PCK(20)PROFILE BLADE R4 9-10MM | 1 |
| 3560 7 10 14 | PCK(20)PROFIL.BLADE W5 10-14MM | 1 |
| 3560 7 22 28 | PCK(10)PROFIL.BLADE W6 22-28MM | 1 |

