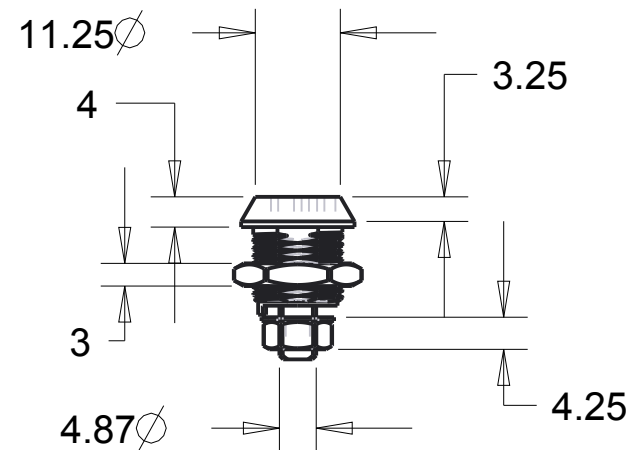
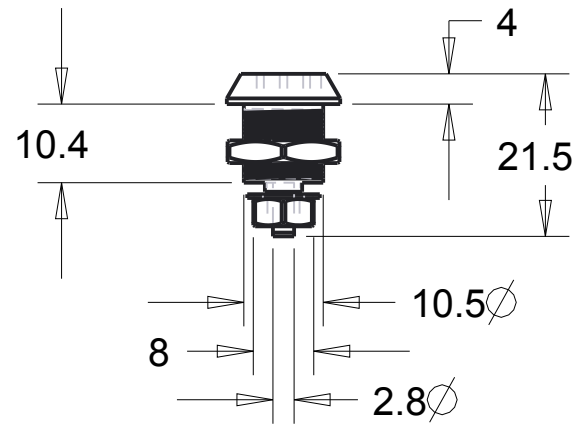
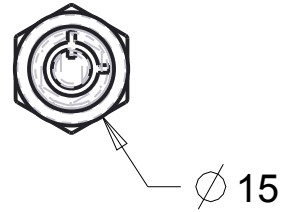


E.N.C.	NO.	REVISION	DATE	BY
	0	RELEASE FOR PRODUCTION	7/04/05	CJF



- NOTE:
1. LOCK ASSEMBLIES TO COME SUPPLIED WITH TWO COMPATIBLE KEYS
锁配备两个兼容钥匙
 2. ASSEMBLIES TO BE FULLY FUNCTIONAL AFTER 5K LOCK/UNLOCK CYCLE TEST.
5K 上锁/解锁循环测试后, 组零件没影响。
 3. REFERENCE PART NUMBER: 料号 SOUNDWAY 3307S-2

ITEM	PART NAME	TITLE	LBS	GRAMS	QTY

<p>TOLERANCES EXCEPT AS NOTED</p> <p>.XX ±.25mm (±.010)</p> <p>.XXX ±.07mm (±.003)</p> <p>.XXXX ±.025mm (±.001)</p> <p>ANGLE ±.5°</p> <p>WALL +.00mm -.07mm</p> <p>ANY UNSPECIFIED DIMENSION OR TOLERANCE MUST BE WITHIN .07mm OF THE 3D PRO/ENGINEER MODEL</p> <p>MATERIAL - ROHS COMPLIANT NICKEL PLATED ZINC</p> <p>FINISH NICKEL PLATING</p> <p>DO NOT SCALE, DRAWING FOR REFERENCE ONLY, USE 3D MODEL</p> <p>SCALE 1.000</p>	<p>LLD</p> <p>NO.5 QiChangcheng Road, ETDZ, Qingdao, China.</p> <p>TEL: (86-532-86768836)</p>	<p>ALPHA SECURITY PRODUCTS, INC.</p> <p>1510 4TH STREET SE CANTON, OH 44707 PHONE (800) 633-2155</p>		DESIGNER	CJF	
		TITLE		MANUFACTURING ENGINEER		
		<p>WEIGHT 0.033 Lb. (15.000 g)</p> <p>PROJECT NO. F925</p>		LOCK ASSEMBLY	DATE	05/21/08
		DRAWING NO. C30003		REV. 0	SHEET 1 OF 1	PLOT DATE